

US00D946633S

(12) **United States Design Patent**
Ryan

(10) **Patent No.:** **US D946,633 S**
(45) **Date of Patent:** **** Mar. 22, 2022**

(54) **TIP FOR A PLOW DIGGING BLADE**

(56) **References Cited**

(71) Applicant: **Ausplow Pty. Ltd.**, Cockburn Central (AU)

U.S. PATENT DOCUMENTS

(72) Inventor: **John W Ryan**, Jandakot (AU)

D706,311 S *	6/2014	Renski	D15/29
D707,263 S *	6/2014	Renski	D15/29
D727,982 S *	4/2015	Renski	D15/29
D748,681 S *	2/2016	Renski	D15/29
D748,683 S *	2/2016	Renski	D15/29
D748,684 S *	2/2016	Renski	D15/29

(73) Assignee: **AUSPLOW PTY. LTD.**, Cockburn Central (AU)

* cited by examiner

(**) Term: **15 Years**

Primary Examiner — Mark A Goodwin

(21) Appl. No.: **29/713,287**

(74) *Attorney, Agent, or Firm* — Wiggin and Dana LLP; Gregory S. Rosenblatt; Rikesh P. Patel

(22) Filed: **Nov. 14, 2019**

(57) **CLAIM**

(30) **Foreign Application Priority Data**

The ornamental design for a tip for a plow digging blade, as shown and described.

May 15, 2019 (AU) 201912657

DESCRIPTION

(51) **LOC (13) Cl.** **15-03**

FIG. 1 is a first perspective view of a new design for a tip for a plow digging blade;

(52) **U.S. Cl.**

FIG. 2 is a second perspective view thereof;

USPC **D15/29**

FIG. 3 is a front view thereof;

(58) **Field of Classification Search**

FIG. 4 is a top plan view thereof;

USPC D15/27, 28, 29

FIG. 5 is a first side view thereof;

CPC .. A01C 5/062; A01C 5/06; A01C 5/00; A01B

FIG. 6 is a second side view thereof;

35/20; A01B 35/24; A01B 15/02; A01B

FIG. 7 is a bottom plan view thereof; and,

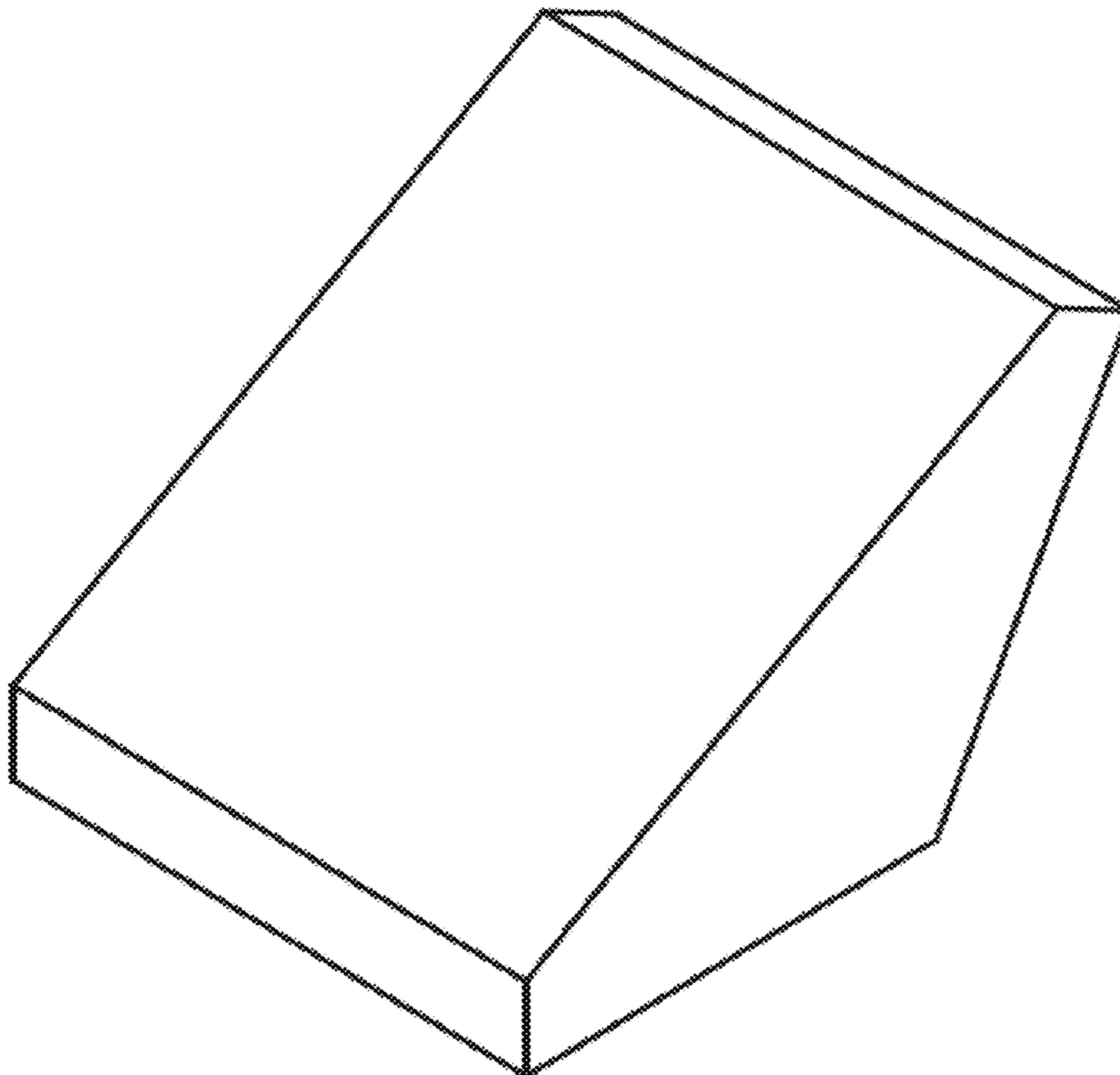
15/025; A01B 15/00; A01B 23/02; A01B

FIG. 8 is a rear view thereof.

49/06

See application file for complete search history.

1 Claim, 8 Drawing Sheets



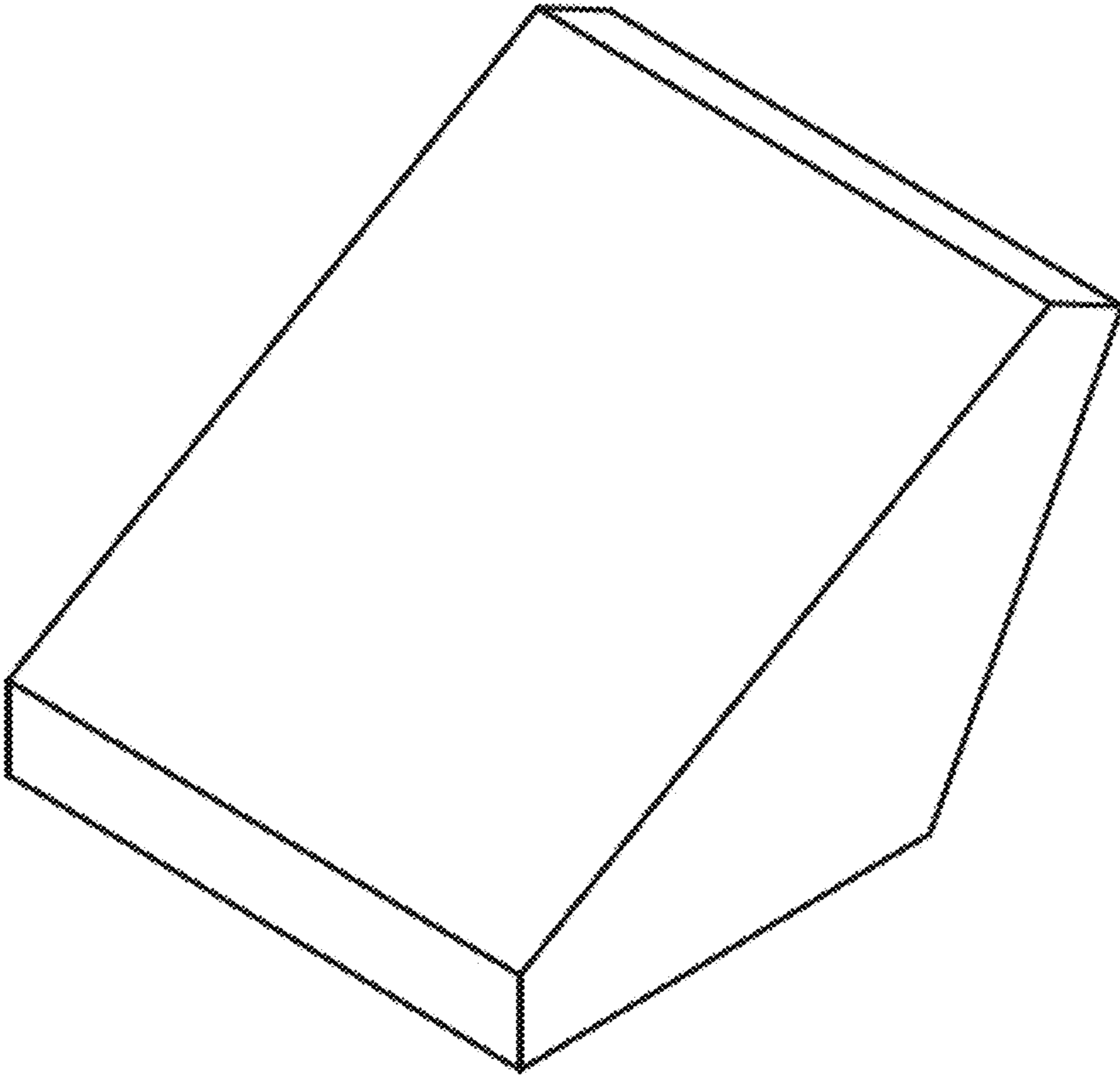


Fig. 1

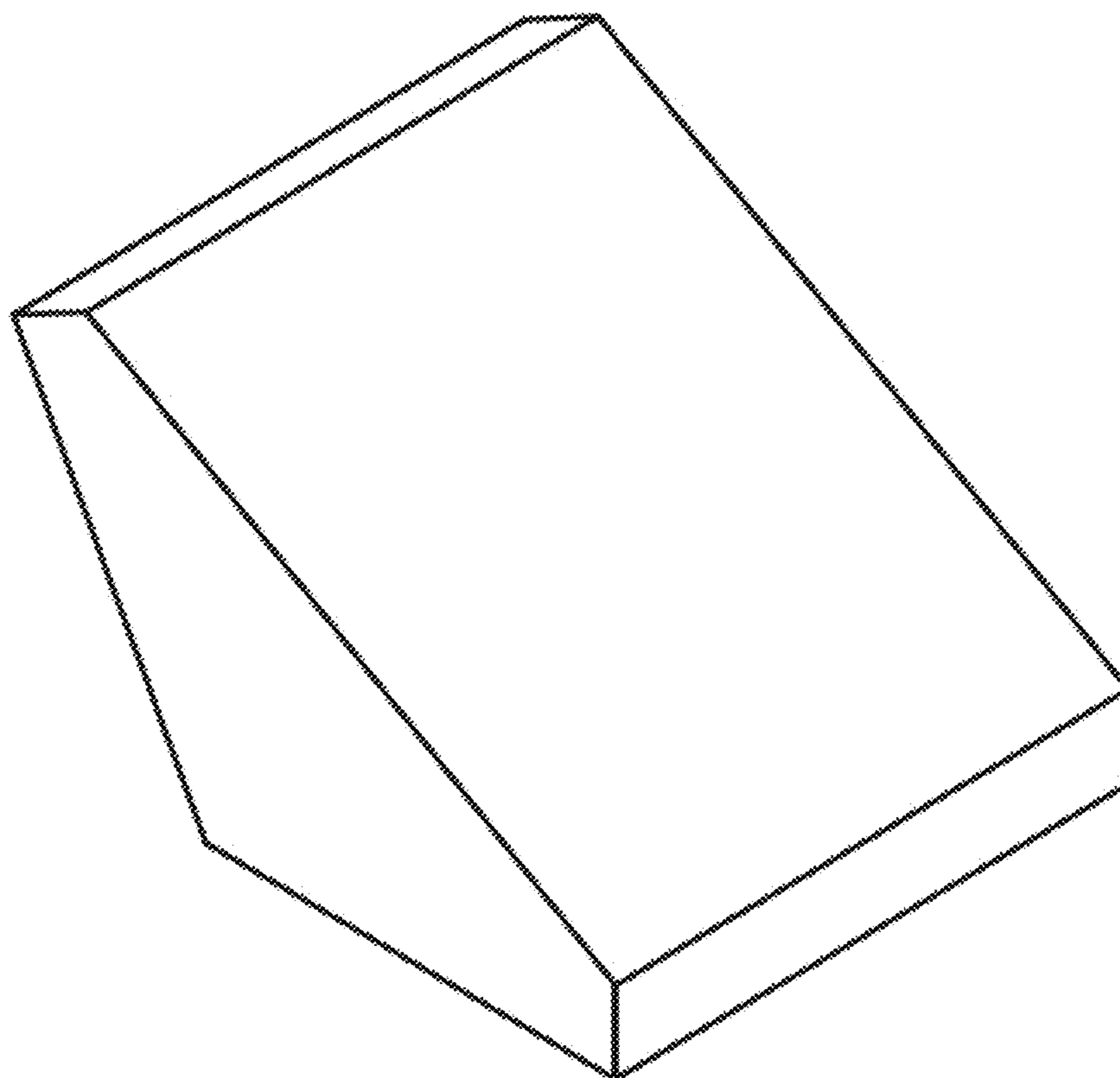


Fig. 2

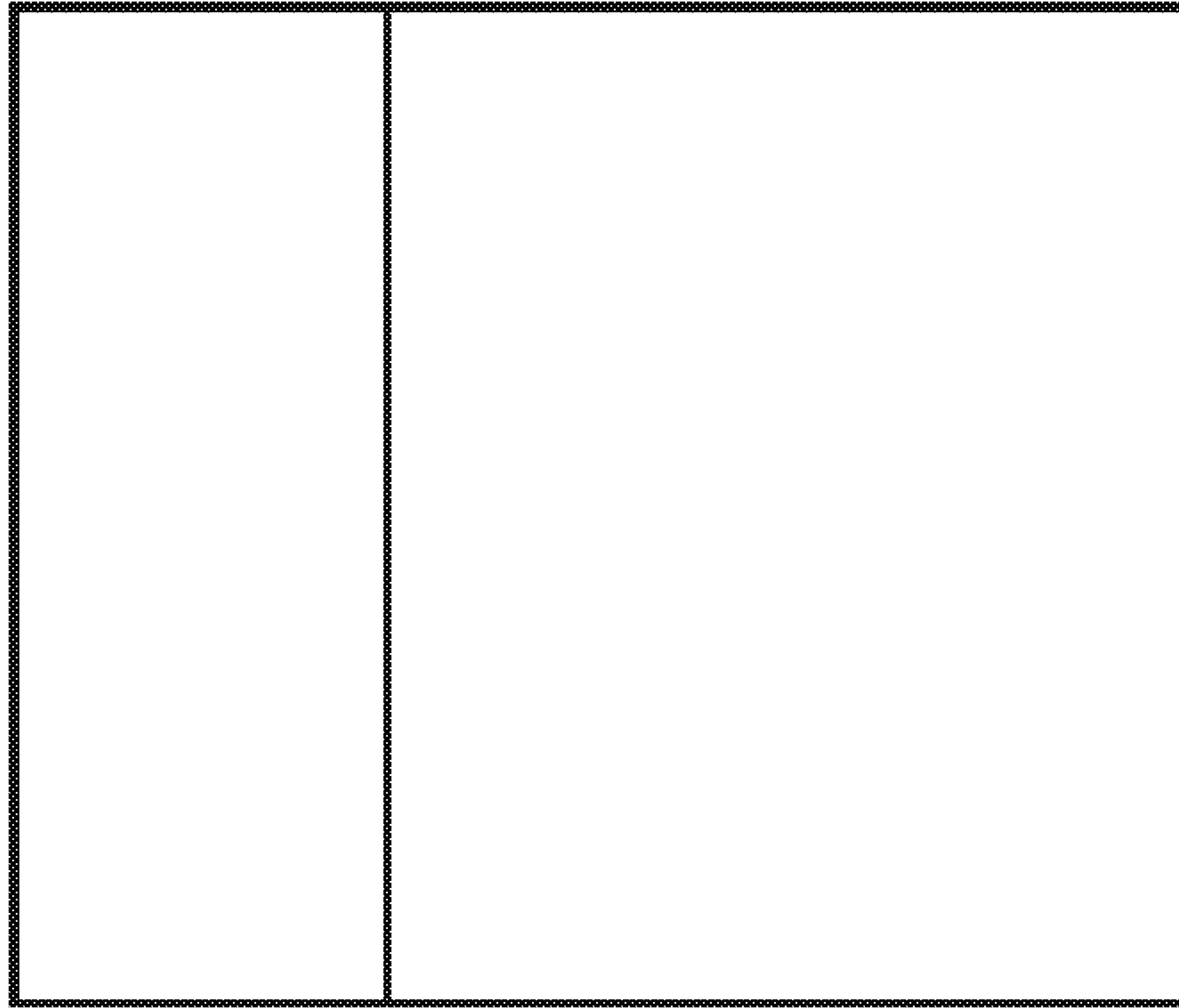


Fig. 3

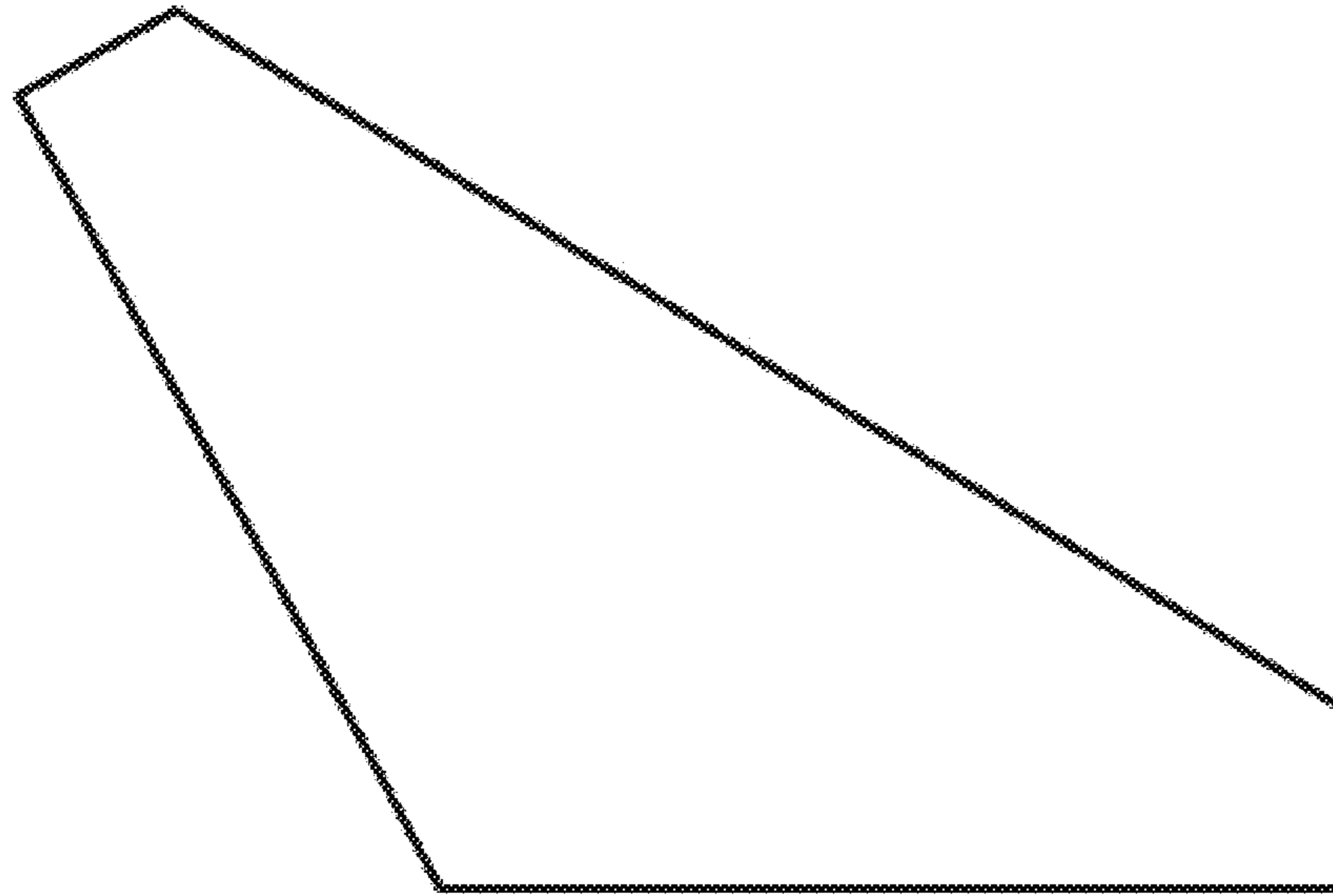


Fig. 4



Fig. 5

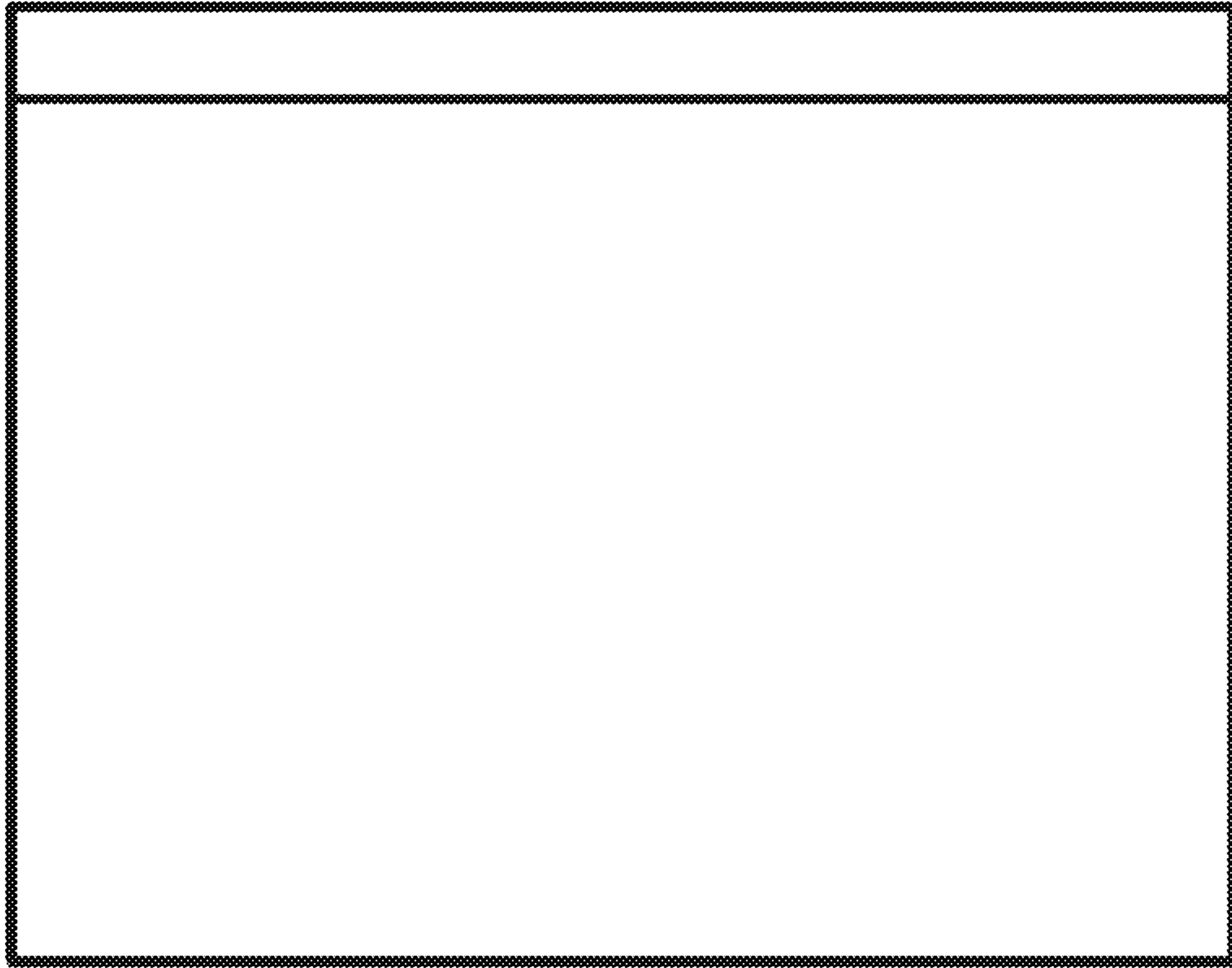


Fig. 6

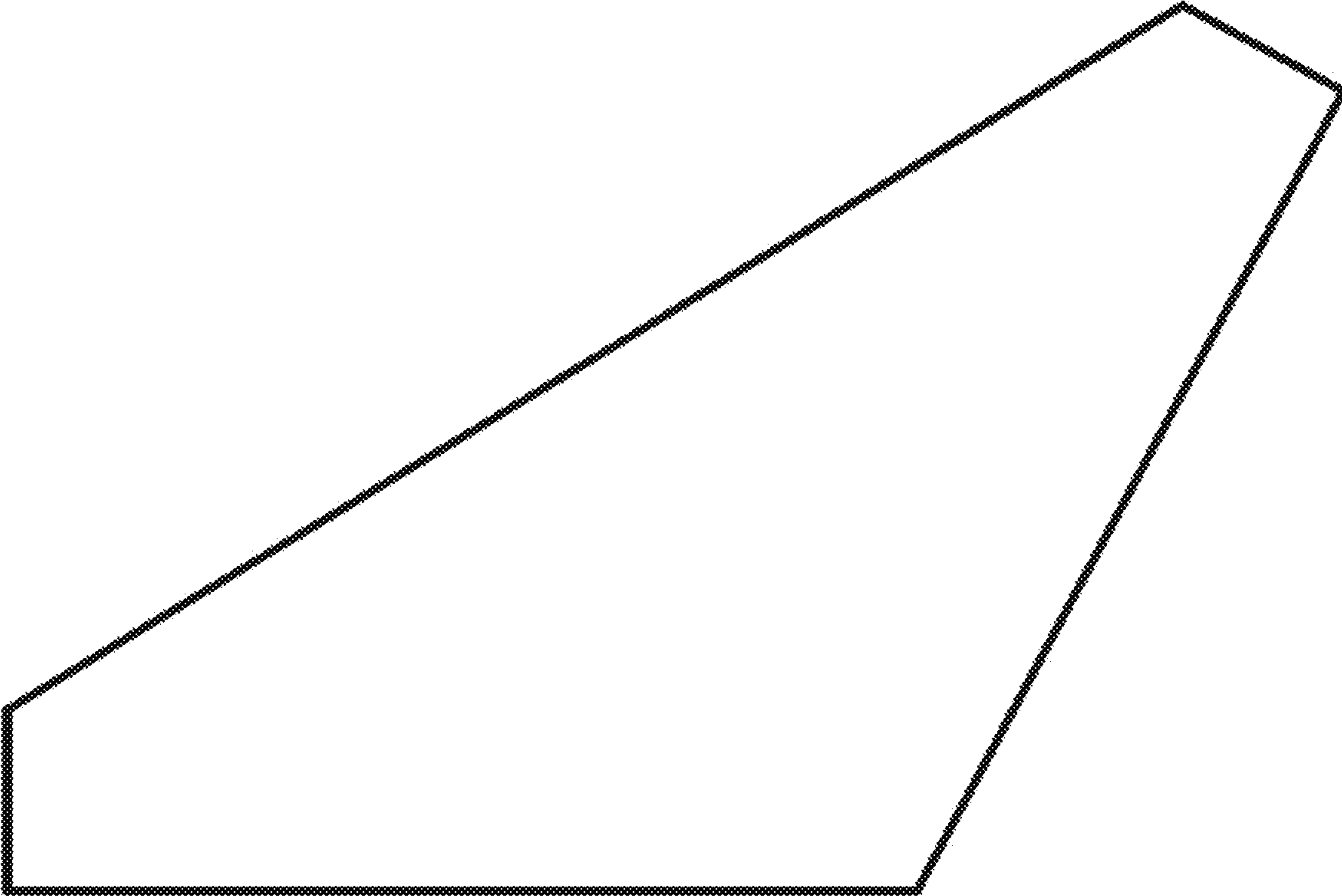


Fig. 7



Fig. 8