



US00D946632S

(12) **United States Design Patent**
Yang et al.

(10) **Patent No.:** **US D946,632 S**
(45) **Date of Patent:** **** Mar. 22, 2022**

- (54) **ROBOTIC MOWER**
- (71) Applicant: **Globe (Jiangsu) Co., Ltd**, Jiangsu (CN)
- (72) Inventors: **Longfei Yang**, Jiangsu (CN); **Andreas Carlsson**, Jiangsu (CN)
- (73) Assignee: **Globe (Jiangsu) Co., Ltd**, Changzhou (CN)
- (**) Term: **15 Years**
- (21) Appl. No.: **29/756,922**
- (22) Filed: **Nov. 1, 2020**

D679,294 S *	4/2013	Tajik	D15/17
D679,295 S *	4/2013	Tajik	D15/17
D688,276 S *	8/2013	Naslund	D15/14
D691,675 S *	10/2013	Kim	D21/533
D718,793 S *	12/2014	Gur	D15/14
D745,897 S *	12/2015	Mehra	D15/17
D758,455 S *	6/2016	Maibach	D15/14
D760,806 S *	7/2016	Cmich	D15/14
D781,926 S *	3/2017	Al-Hashimi	D15/14
D796,555 S *	9/2017	Landberg	D15/14
D848,094 S *	5/2019	Hui	D32/21
D853,447 S *	7/2019	Mehra	D15/14
D853,448 S *	7/2019	Mehra	D15/14
D853,449 S *	7/2019	Mehra	D15/14
D855,267 S *	7/2019	Desagre	D32/17
D857,117 S *	8/2019	Venancio	D21/533
D859,765 S *	9/2019	Hui	D32/21
D860,558 S *	9/2019	Lee	D32/21

(Continued)

(30) **Foreign Application Priority Data**

Jul. 2, 2020 (CN) 202030349743.6

(51) **LOC (13) Cl.** **15-03**

(52) **U.S. Cl.**
USPC **D15/14; D15/199**

(58) **Field of Classification Search**
USPC D12/1, 308; D14/900-902; D15/14, 17, D15/18, 199; D21/398, 424, 456, 467, D21/493, 495, 533-539, 578, 579, 585, D21/593, 594; D32/21
CPC B25J 9/0003; B25J 11/008; B25J 5/007; B25J 9/1697; G06F 19/3418; G05D 2201/0207; G05D 2201/0208; Y10S 901/01; Y10S 901/46
See application file for complete search history.

(56) **References Cited**

U.S. PATENT DOCUMENTS

D504,901 S *	5/2005	Wickstrom	D15/14
D527,854 S *	9/2006	Marzynski	D15/199
D559,867 S *	1/2008	Abramson	D15/14
D677,344 S *	3/2013	Petersen	D21/539

Primary Examiner — Michael C Stout
Assistant Examiner — Fitzgerald L Butac

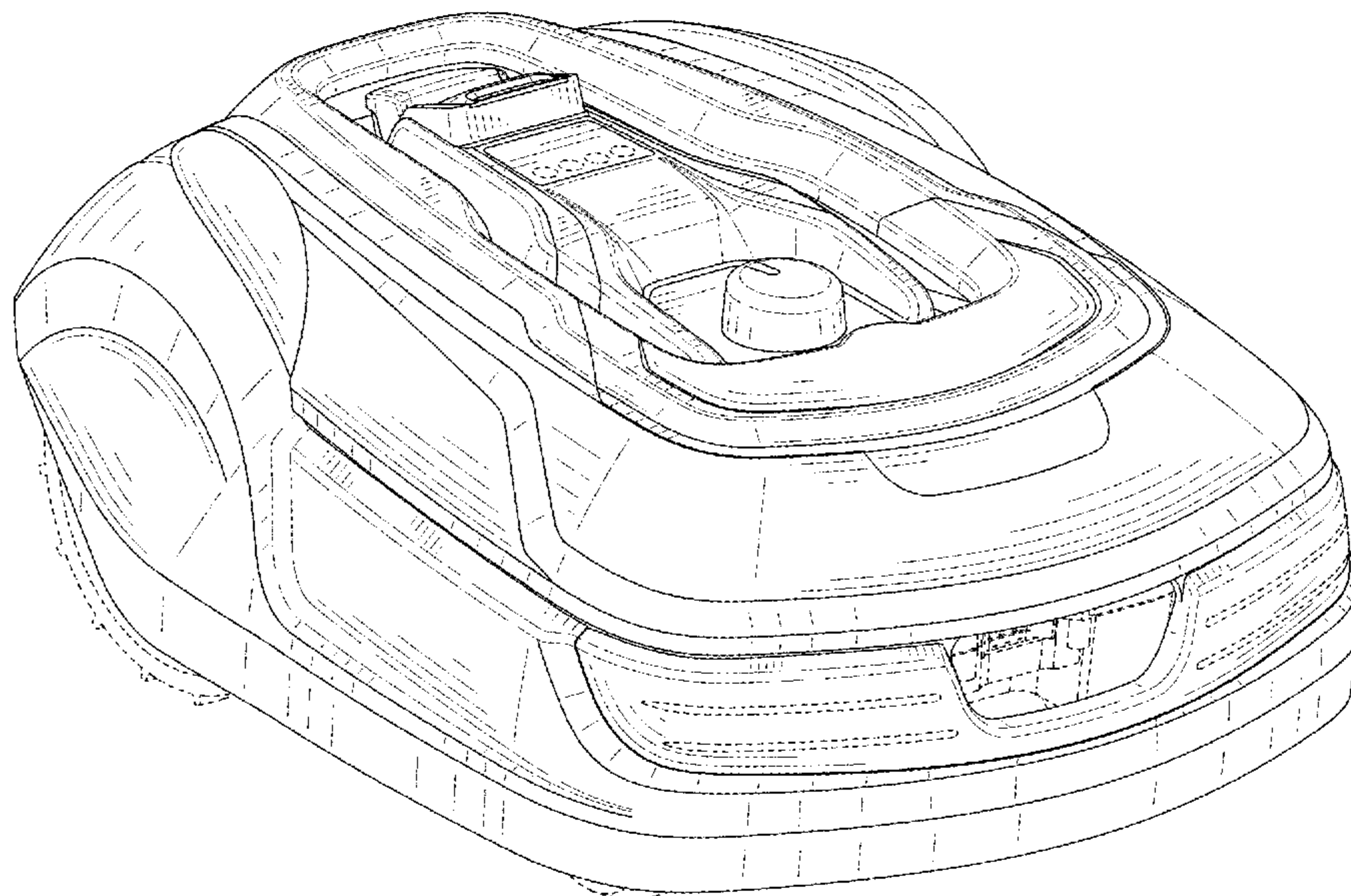
(57) **CLAIM**

The ornamental design for a robotic mower, as shown and described.

DESCRIPTION

FIG. 1 is a top, front and left side perspective view of a robotic mower showing our new design;
FIG. 2 is a top, rear and right side perspective view thereof;
FIG. 3 is a bottom, rear and right side perspective view thereof;
FIG. 4 is a front elevational view thereof;
FIG. 5 is a rear elevational view thereof;
FIG. 6 is a left side view thereof;
FIG. 7 is a right side view thereof;
FIG. 8 is a top plan view thereof; and,
FIG. 9 is a bottom plan view thereof.
The broken lines in the drawings illustrate portions of the robotic mower which form no part of the claimed design.

1 Claim, 9 Drawing Sheets



(56)

References Cited

U.S. PATENT DOCUMENTS

D862,010	S	*	10/2019	Smith	D32/21
D870,401	S	*	12/2019	Supron	D32/21
D881,252	S	*	4/2020	Vestberg	D15/199
D883,343	S	*	5/2020	Estey	D15/14
D883,397	S	*	5/2020	Xu	D21/424
D884,748	S	*	5/2020	Yokoyama	D15/14
D889,517	S	*	7/2020	Prybor	D15/14
D890,219	S	*	7/2020	Tat	D15/14
D900,024	S	*	10/2020	Kuang	D13/107
D908,611	S	*	1/2021	Song	D13/107
D921,308	S	*	6/2021	Cao	D32/21
D921,310	S	*	6/2021	Kim	D32/21
D922,011	S	*	6/2021	Ren	D32/21
D924,955	S	*	7/2021	Hoshino	D15/199
D926,400	S	*	7/2021	Kim	D32/21
D927,107	S	*	8/2021	Choi	D32/21
D927,108	S	*	8/2021	Choi	D32/21
D928,202	S	*	8/2021	Li	D15/14
D929,690	S	*	8/2021	Cheng	A47L 9/009
						D32/21
D930,298	S	*	9/2021	Lee	D32/21
D930,299	S	*	9/2021	Lee	D32/21

* cited by examiner

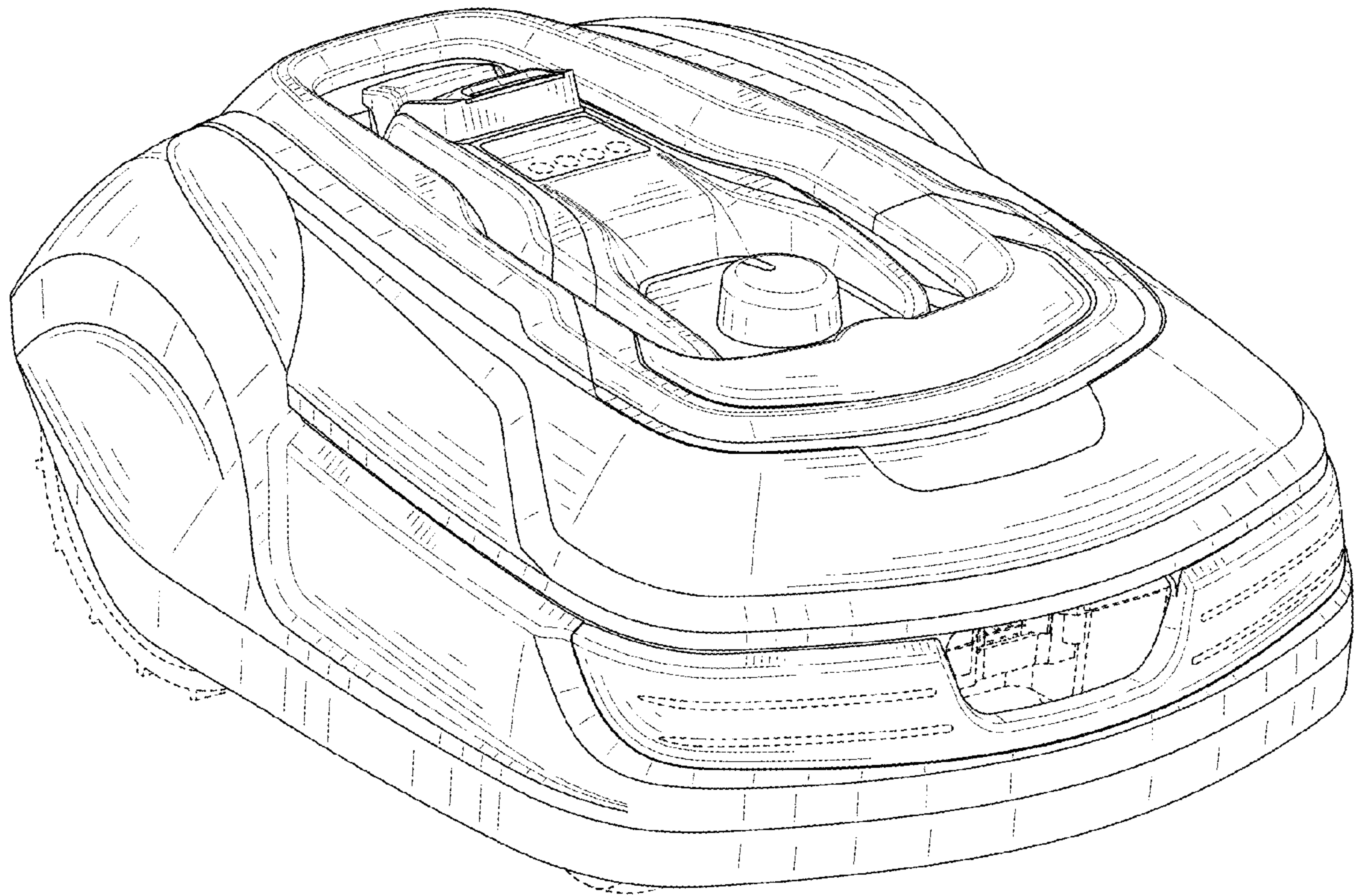


FIG. 1

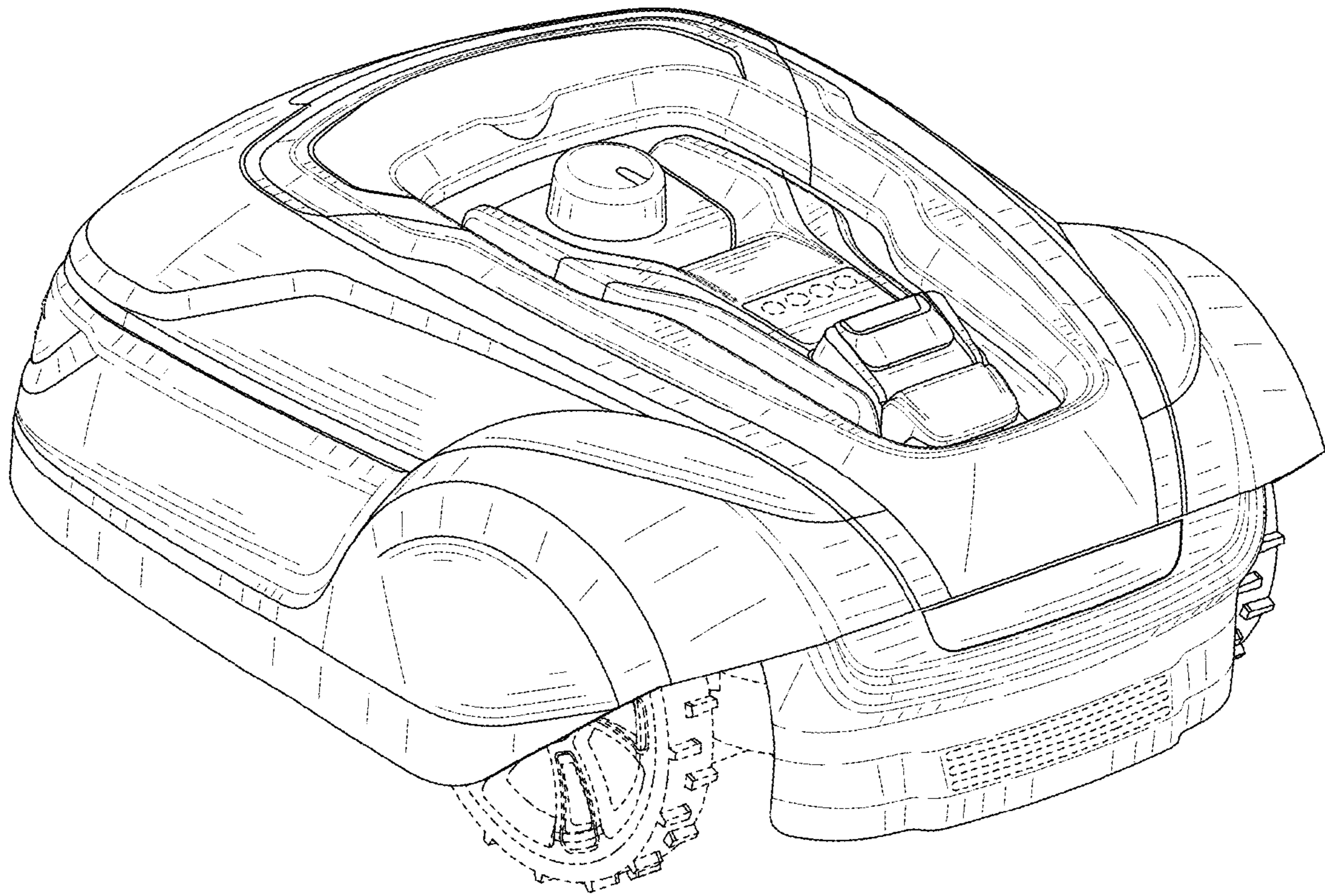


FIG. 2

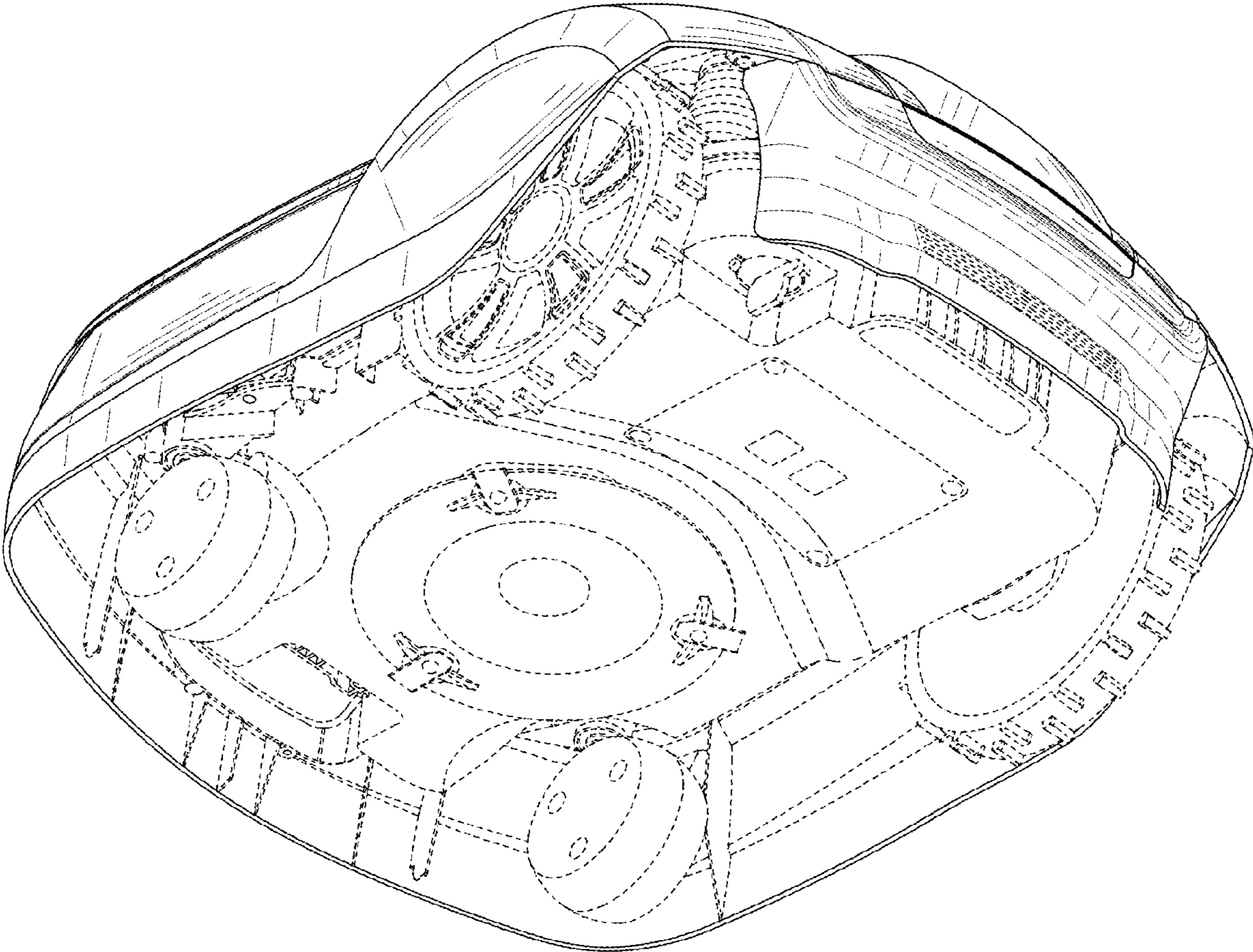


FIG. 3

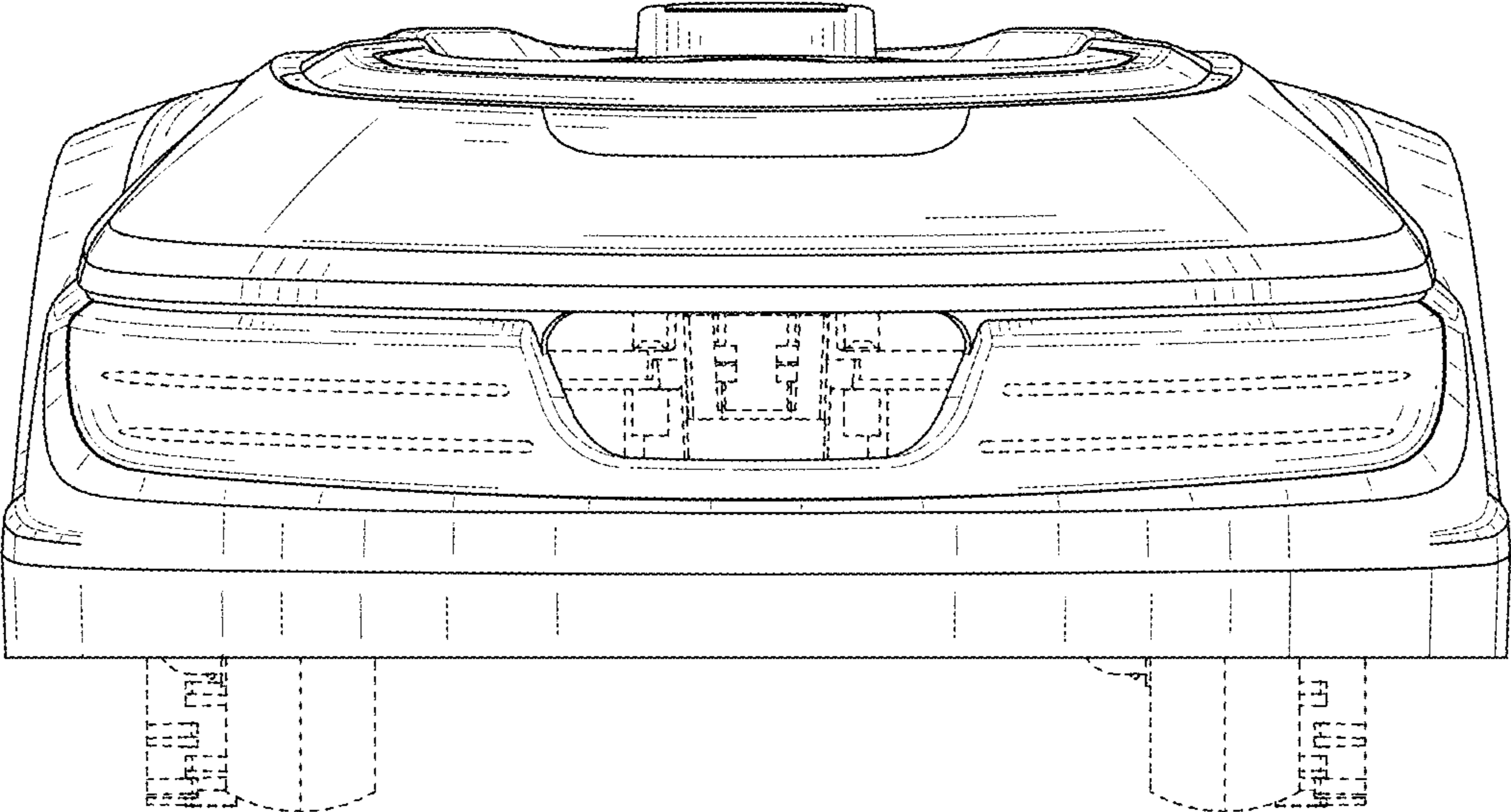


FIG. 4

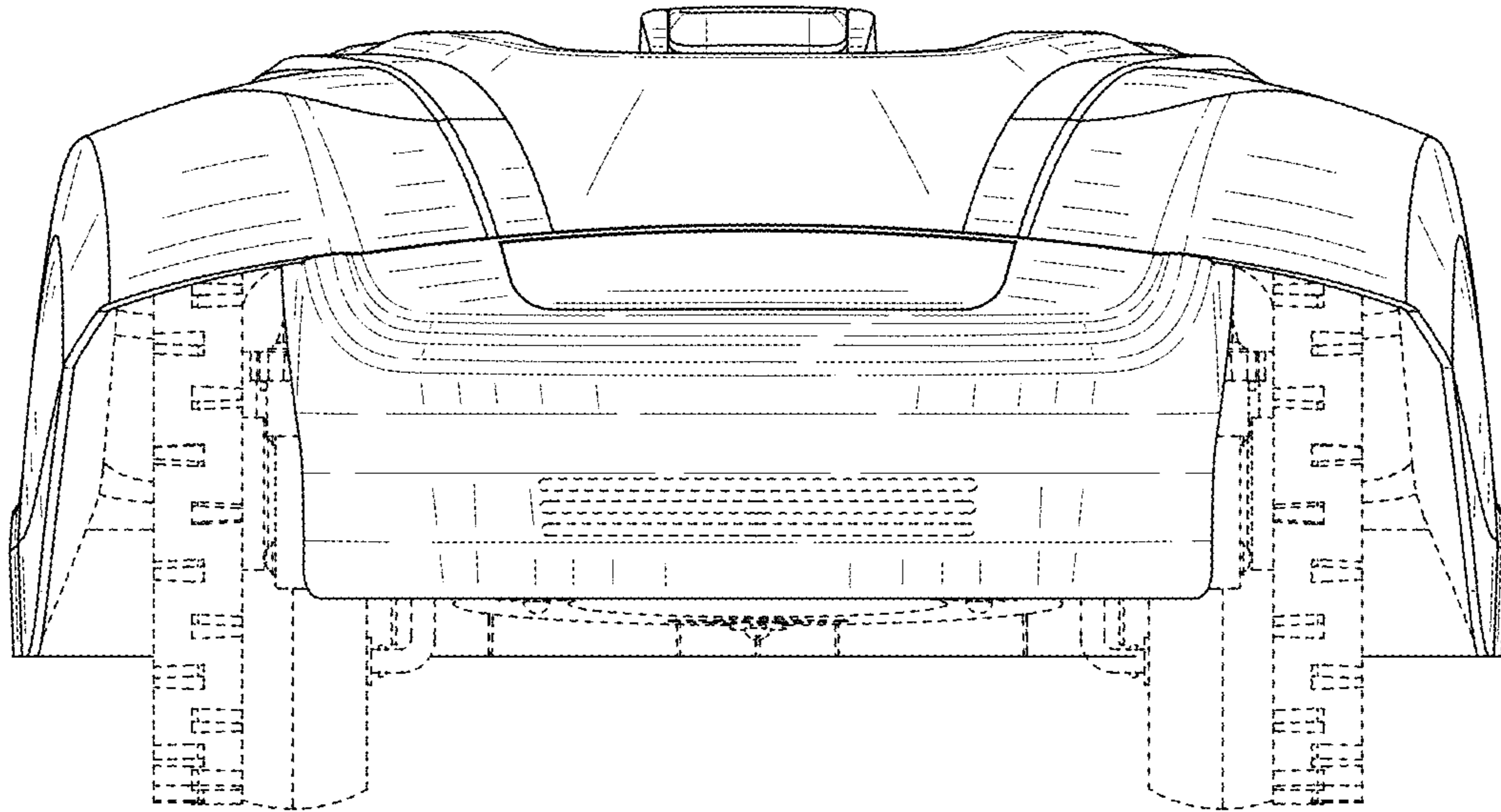


FIG. 5

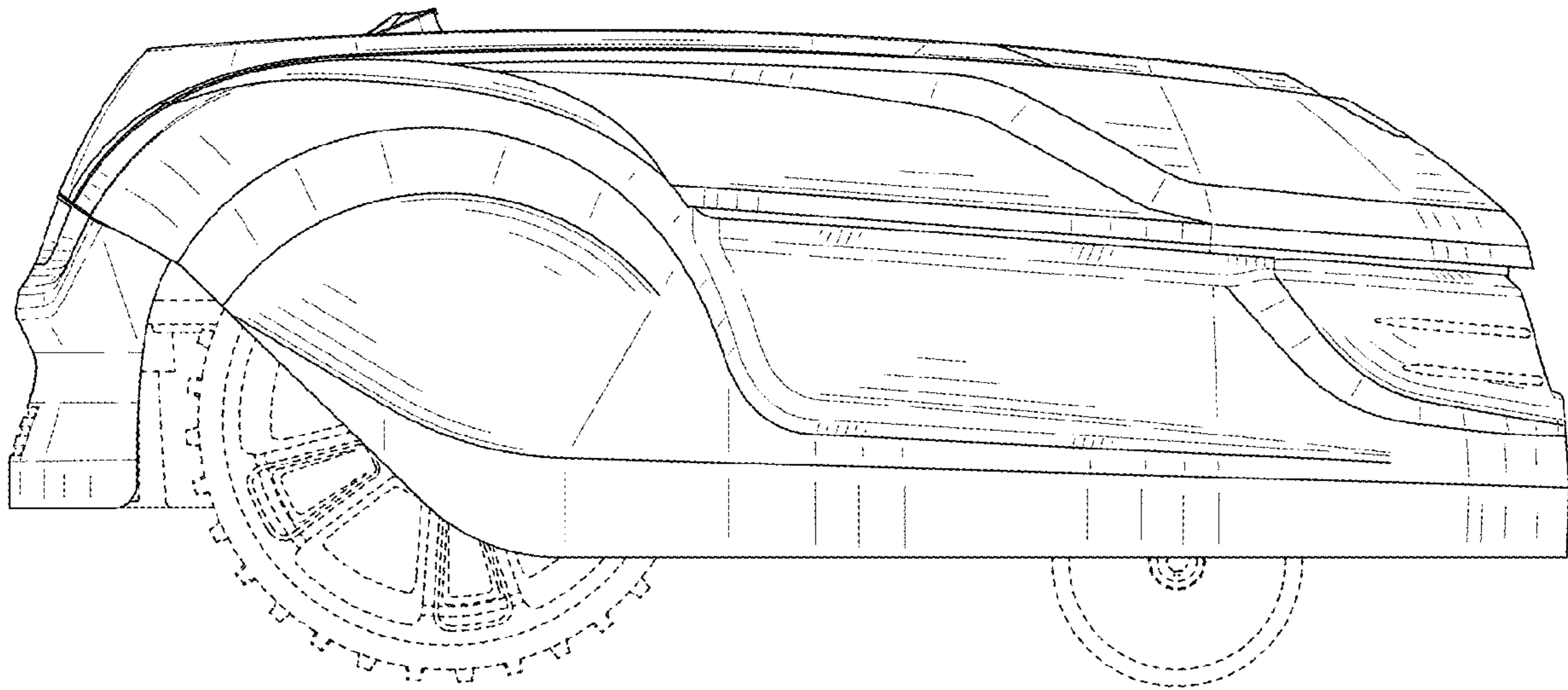


FIG. 6

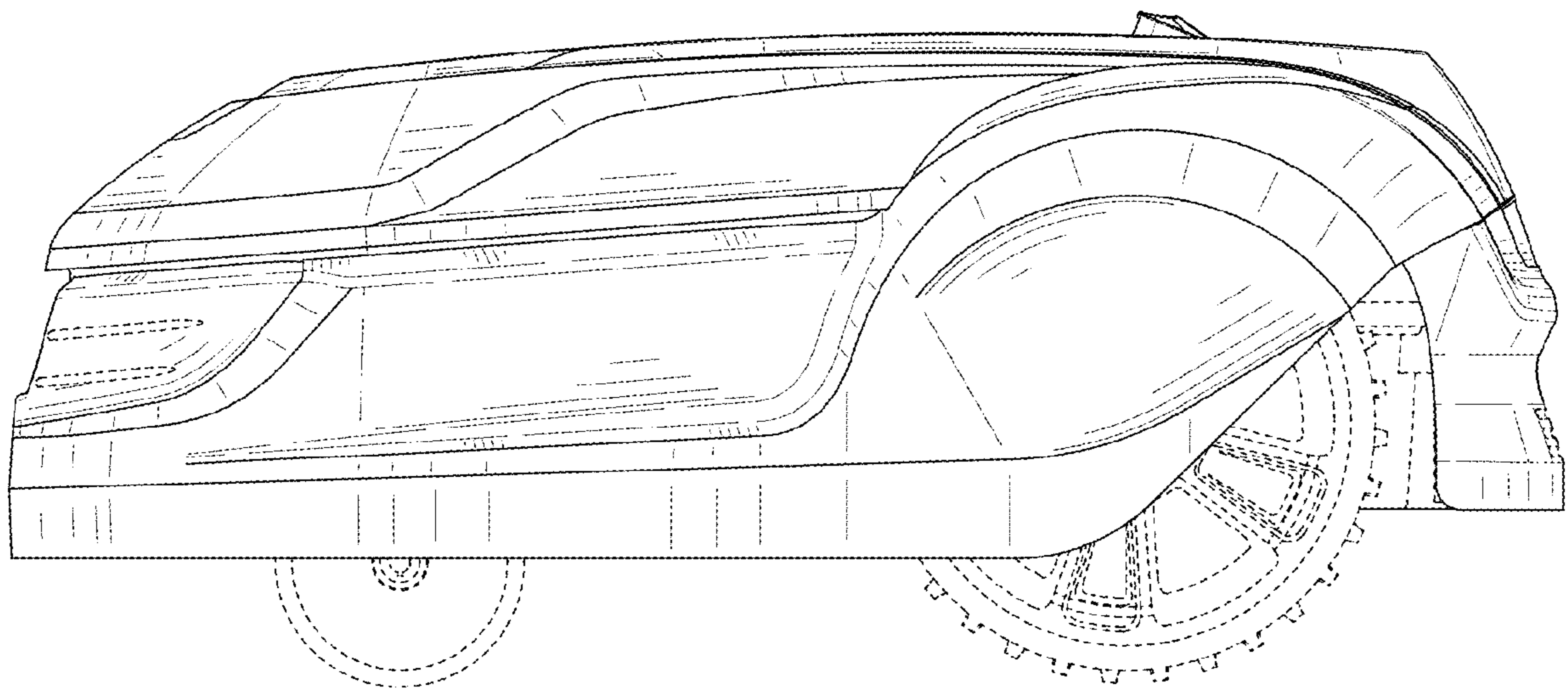


FIG. 7

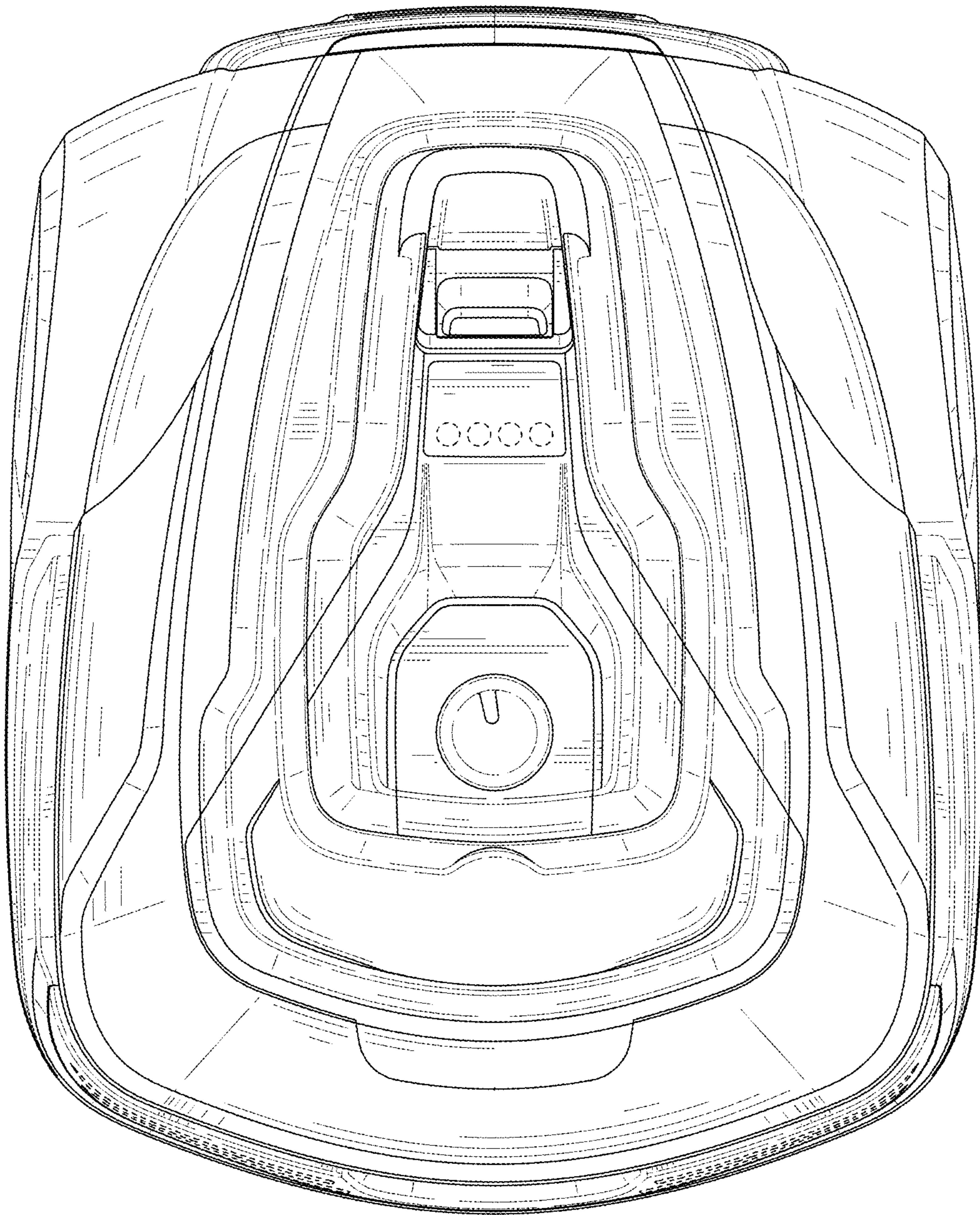


FIG. 8

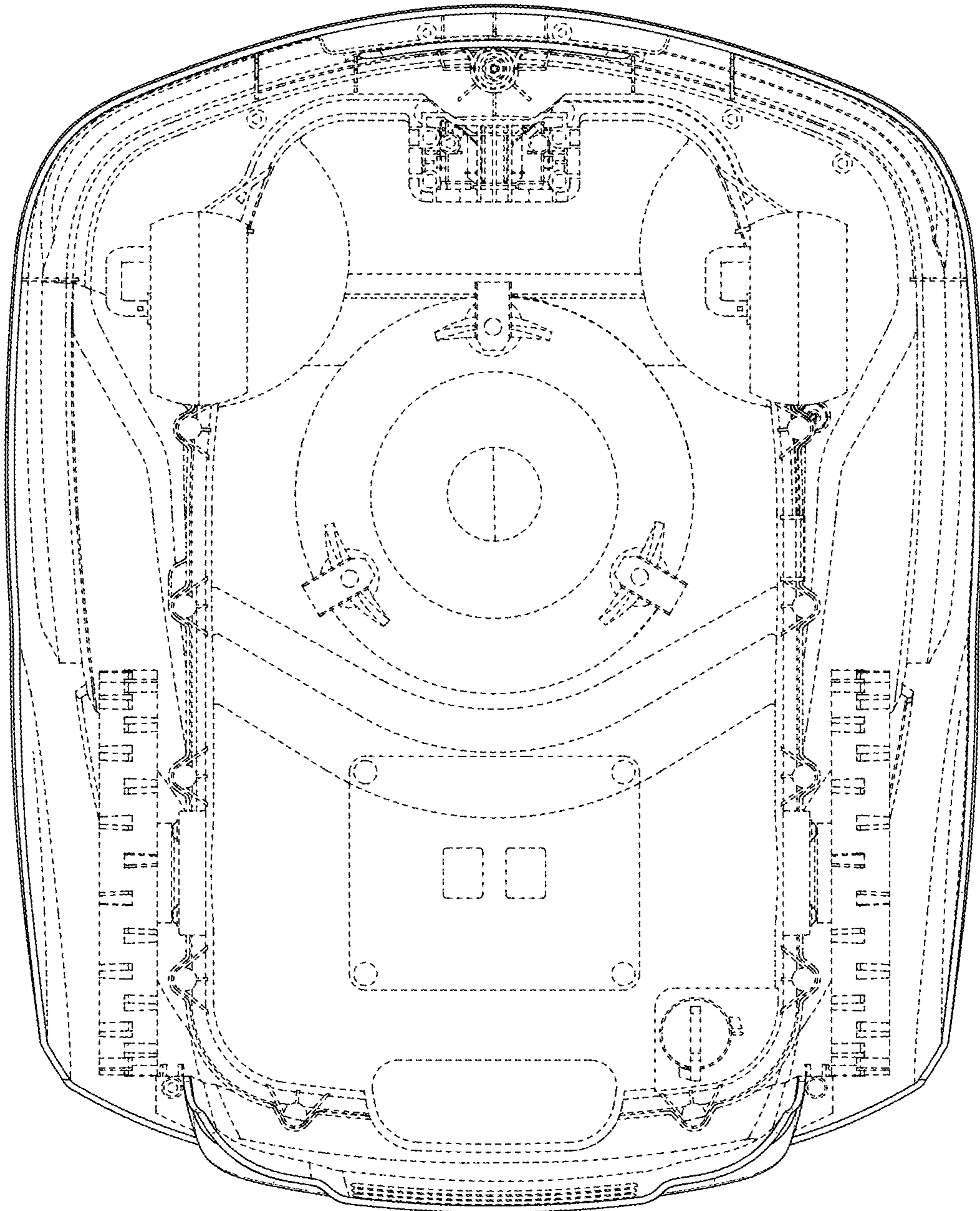


FIG. 9