



US00D946631S

(12) **United States Design Patent**  
**Örtlund et al.**

(10) **Patent No.:** **US D946,631 S**  
(45) **Date of Patent:** **\*\* Mar. 22, 2022**

(54) **ROBOTIC MOWER**

(71) Applicant: **GLOBE (JIANGSU) CO., LTD,**  
Jiangsu (CN)

(72) Inventors: **Johan Örtlund,** Jiangsu (CN); **Sheng Li,** Jiangsu (CN)

(73) Assignee: **Globe (Jiangsu) Co., Ltd,** Changzhou (CN)

(\*\*) Term: **15 Years**

(21) Appl. No.: **29/739,095**

(22) Filed: **Jun. 22, 2020**

(30) **Foreign Application Priority Data**

Mar. 19, 2020 (CN) ..... 202030094353.9

Mar. 19, 2020 (CN) ..... 202030094665.X

(51) **LOC (13) Cl.** ..... **15-03**

(52) **U.S. Cl.**

USPC ..... **D15/14; D15/17**

(58) **Field of Classification Search**

USPC ..... D15/14, 17, 18; 56/11.9, 17.5, 13.4,  
56/12.8, 16.7, 202, 255, 294, 295, 320.1,  
56/320.2; 180/900, 89.1, 89.12

CPC .... A01D 34/008; A01D 34/81; A01D 34/416;  
A01D 34/4166; A01D 34/4167; A01D  
34/87; A01D 34/90; B60L 1/003; B60L  
3/0061; B60L 11/1803; B60L 11/1805;  
B60L 11/1877; B60L 15/20; B60L  
2260/28; B60L 2200/40; B60L 2220/16;  
B60L 2220/46; B60L 2240/36; B60L  
2240/421; A01G 3/04; A01G 3/0435

See application file for complete search history.

(56) **References Cited**

**U.S. PATENT DOCUMENTS**

D679,294 S \* 4/2013 Tajik ..... D15/17

D679,295 S \* 4/2013 Tajik ..... D15/17

D681,065 S *	4/2013	Maeda .....	D15/17
D718,339 S *	11/2014	Damshak .....	D15/14
D718,341 S *	11/2014	Gur .....	D15/14
D718,793 S *	12/2014	Gur .....	D15/14
D745,897 S *	12/2015	Mehra .....	D15/17
D758,455 S *	6/2016	Maibach .....	D15/14
D760,806 S *	7/2016	Cmich .....	D15/14
D776,169 S *	1/2017	Cmich .....	D15/14
D781,926 S *	3/2017	Al-Hashimi .....	D15/14
D796,555 S *	9/2017	Landberg .....	D15/14
D852,232 S *	6/2019	Eidson .....	D15/14
D880,532 S *	4/2020	Gunnarsson .....	D15/14
D881,252 S *	4/2020	Vestberg .....	D15/199
D889,517 S *	7/2020	Prybor .....	D15/14
D890,219 S *	7/2020	Tat .....	D15/14
D928,202 S *	8/2021	Li .....	D15/14

\* cited by examiner

*Primary Examiner* — Mark A Goodwin

(57) **CLAIM**

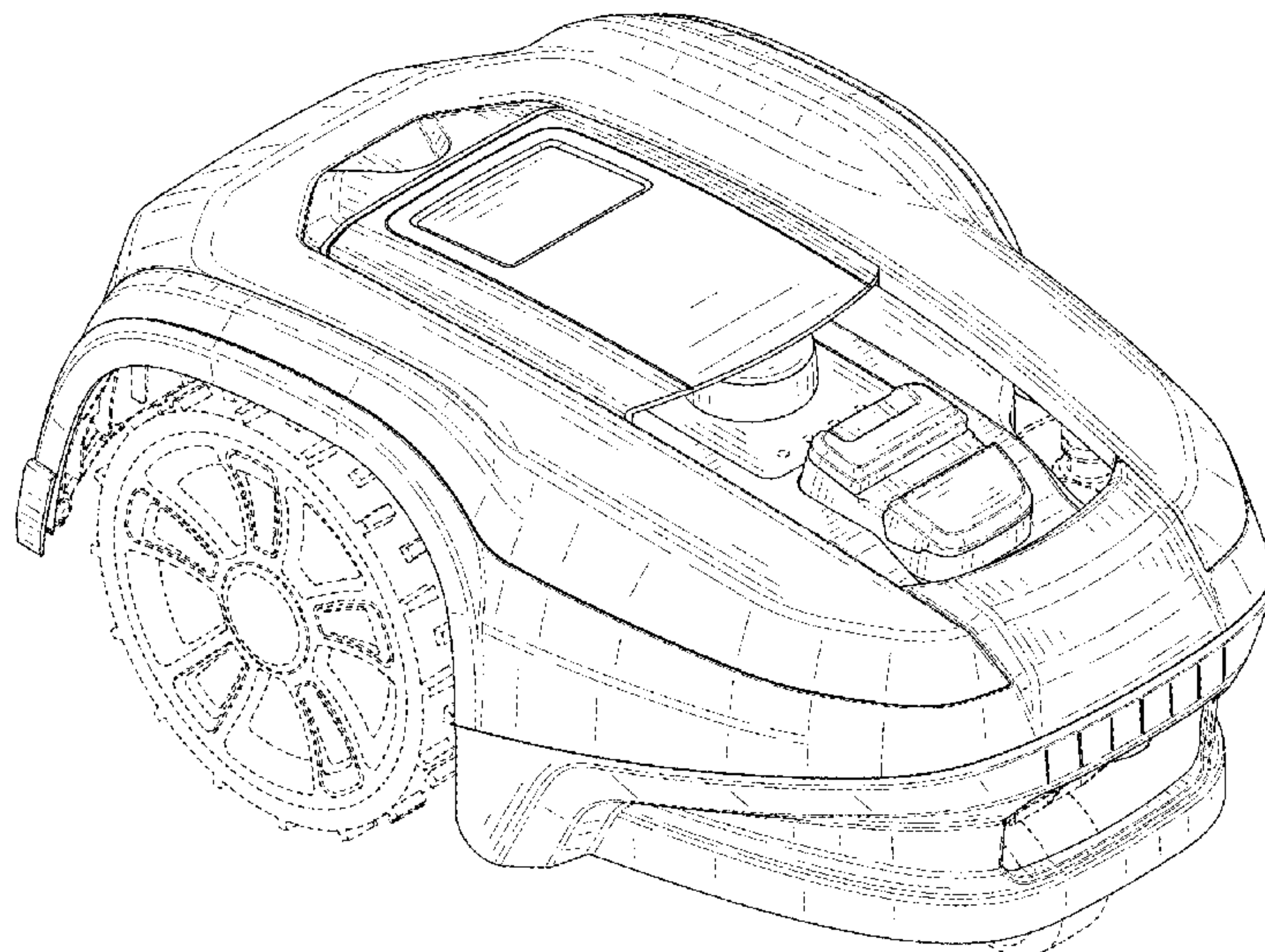
The ornamental design for a robotic mower, as shown and described.

**DESCRIPTION**

FIG. 1 is a top, front and left side perspective view of a robotic mower showing our new design;  
FIG. 2 is a bottom, rear and right side perspective view thereof;  
FIG. 3 is a front elevational view thereof;  
FIG. 4 is a rear elevational view thereof;  
FIG. 5 is a left side view thereof;  
FIG. 6 is a right side view thereof;  
FIG. 7 is a top plan view thereof; and,  
FIG. 8 is a bottom plan view thereof.

The broken lines in the drawings illustrate portions of the robotic mower which form no part of the claimed design.

**1 Claim, 8 Drawing Sheets**



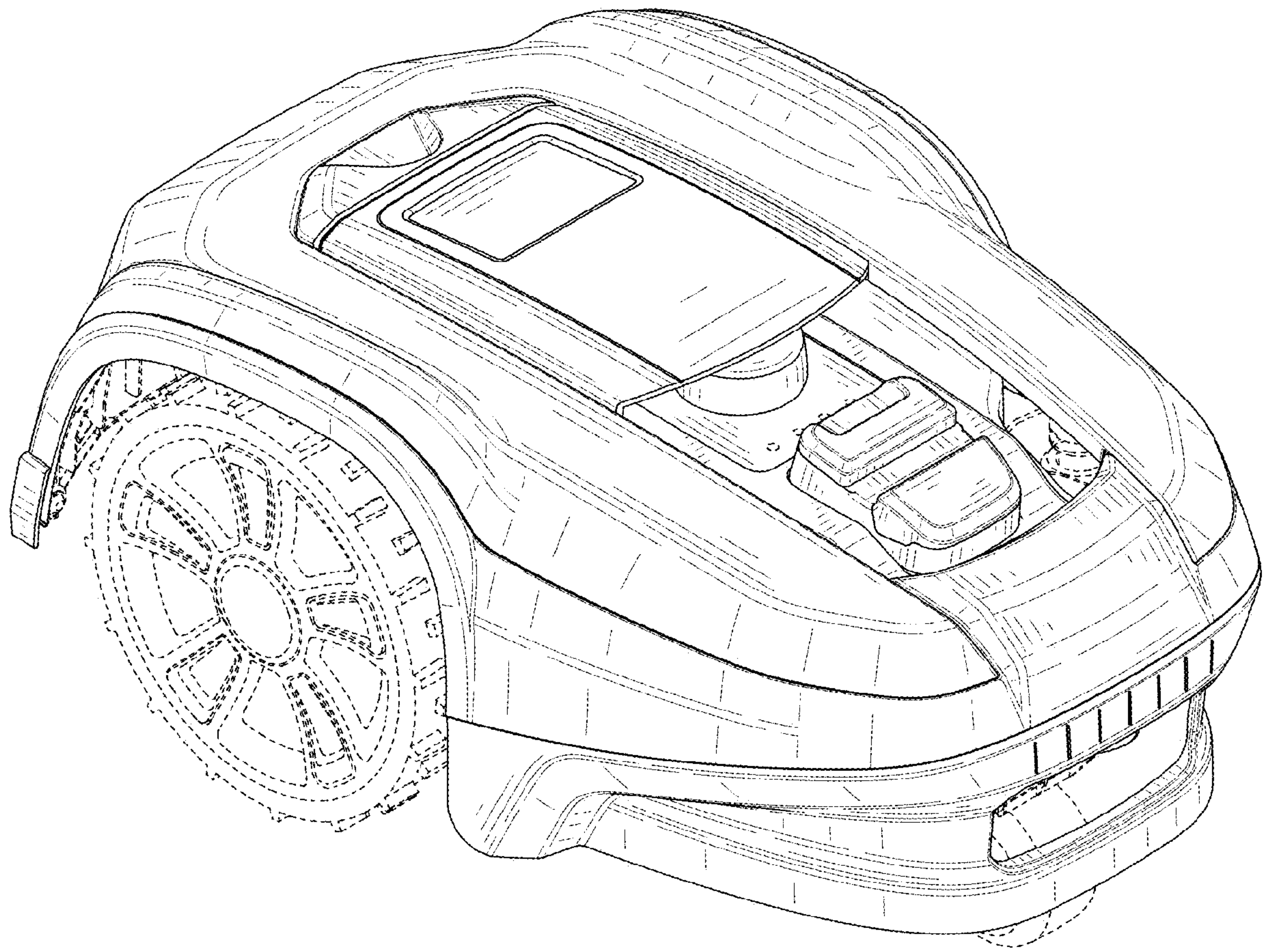


FIG. 1



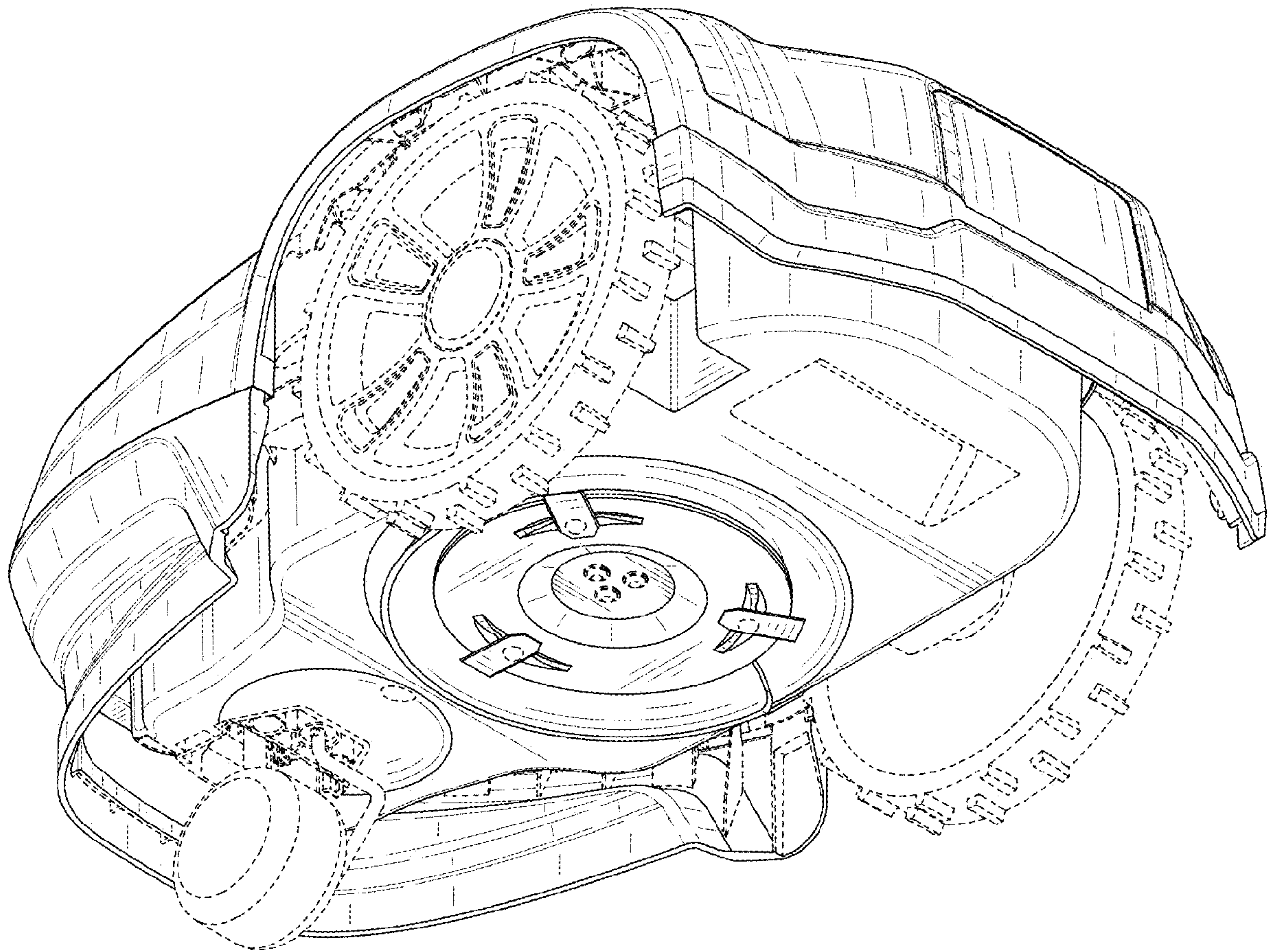


FIG. 2

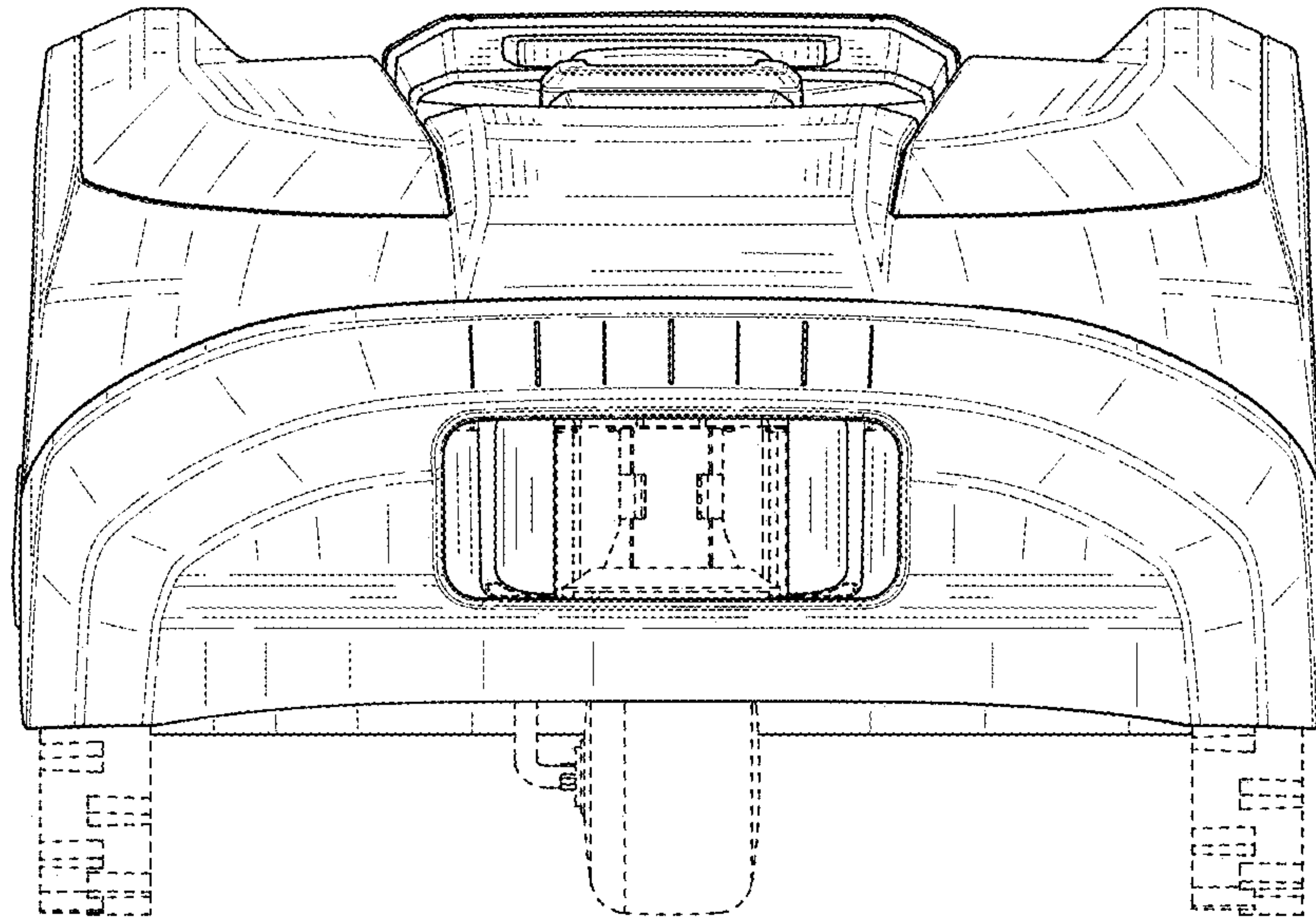


FIG. 3

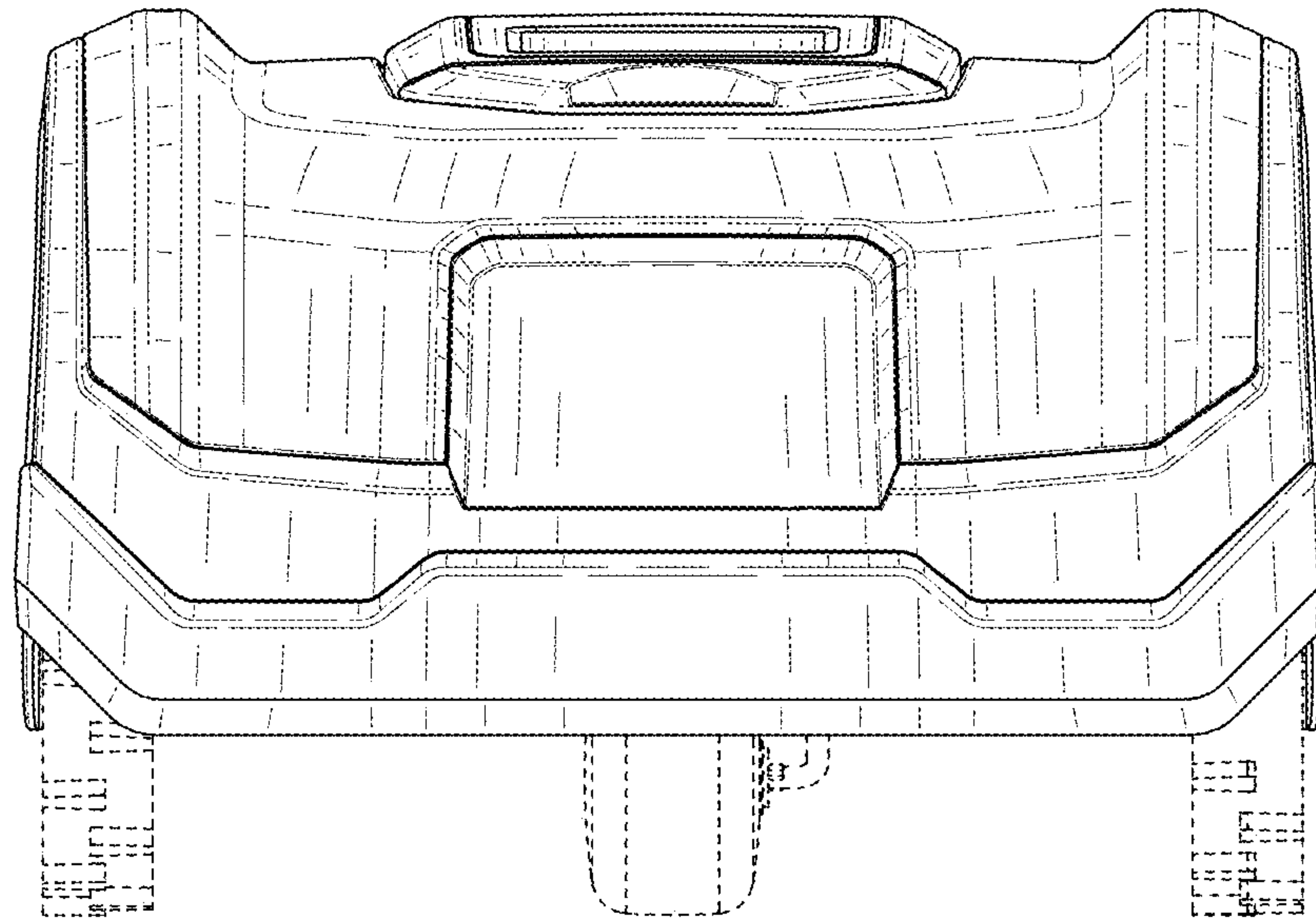


FIG. 4

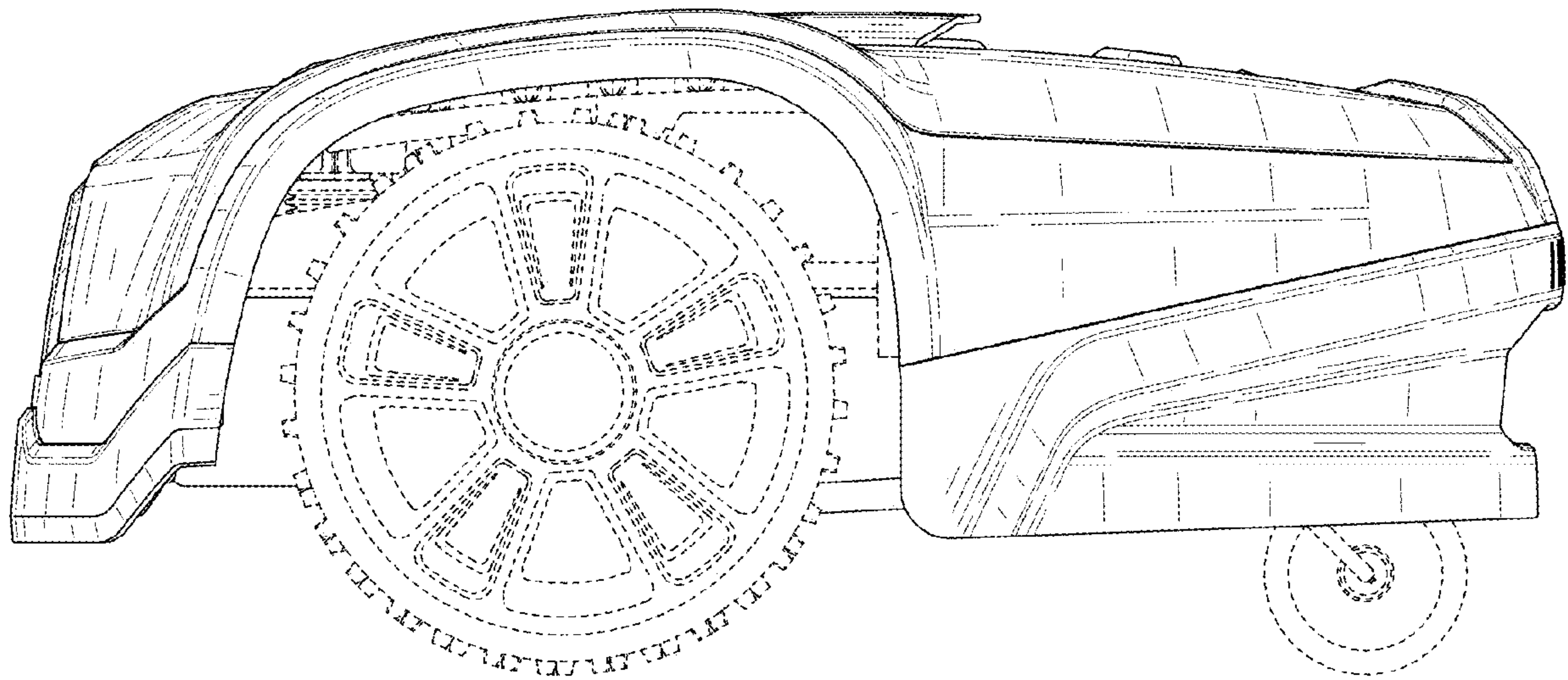


FIG. 5



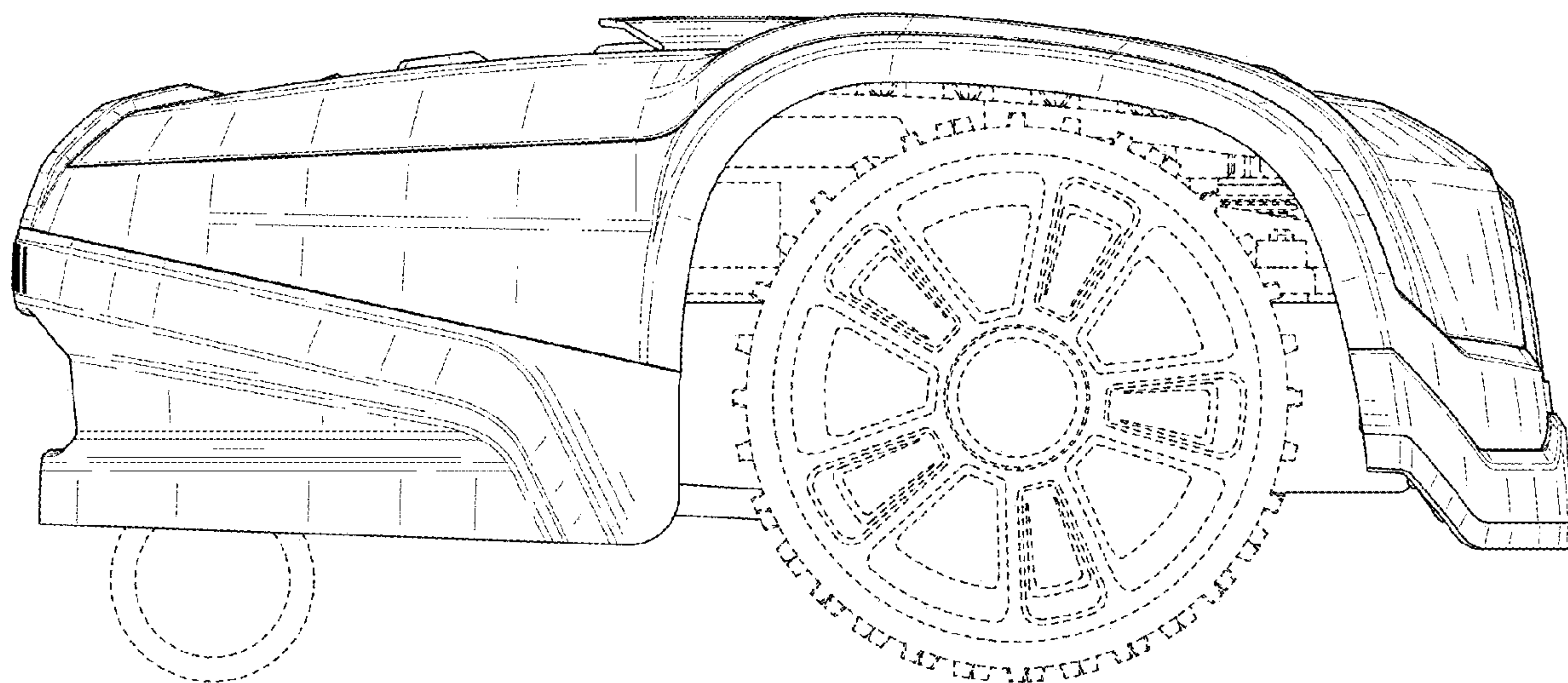


FIG. 6

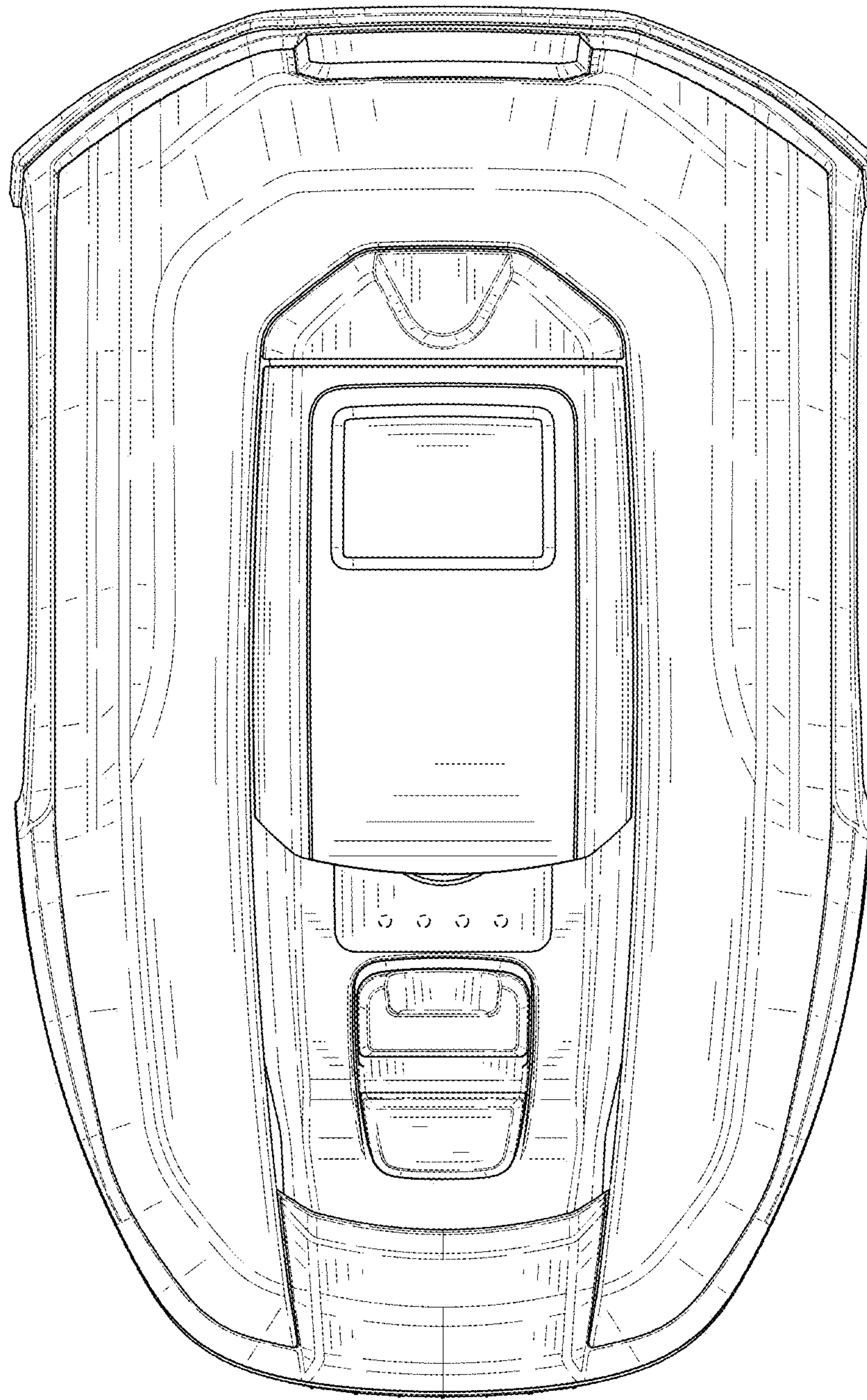


FIG. 7



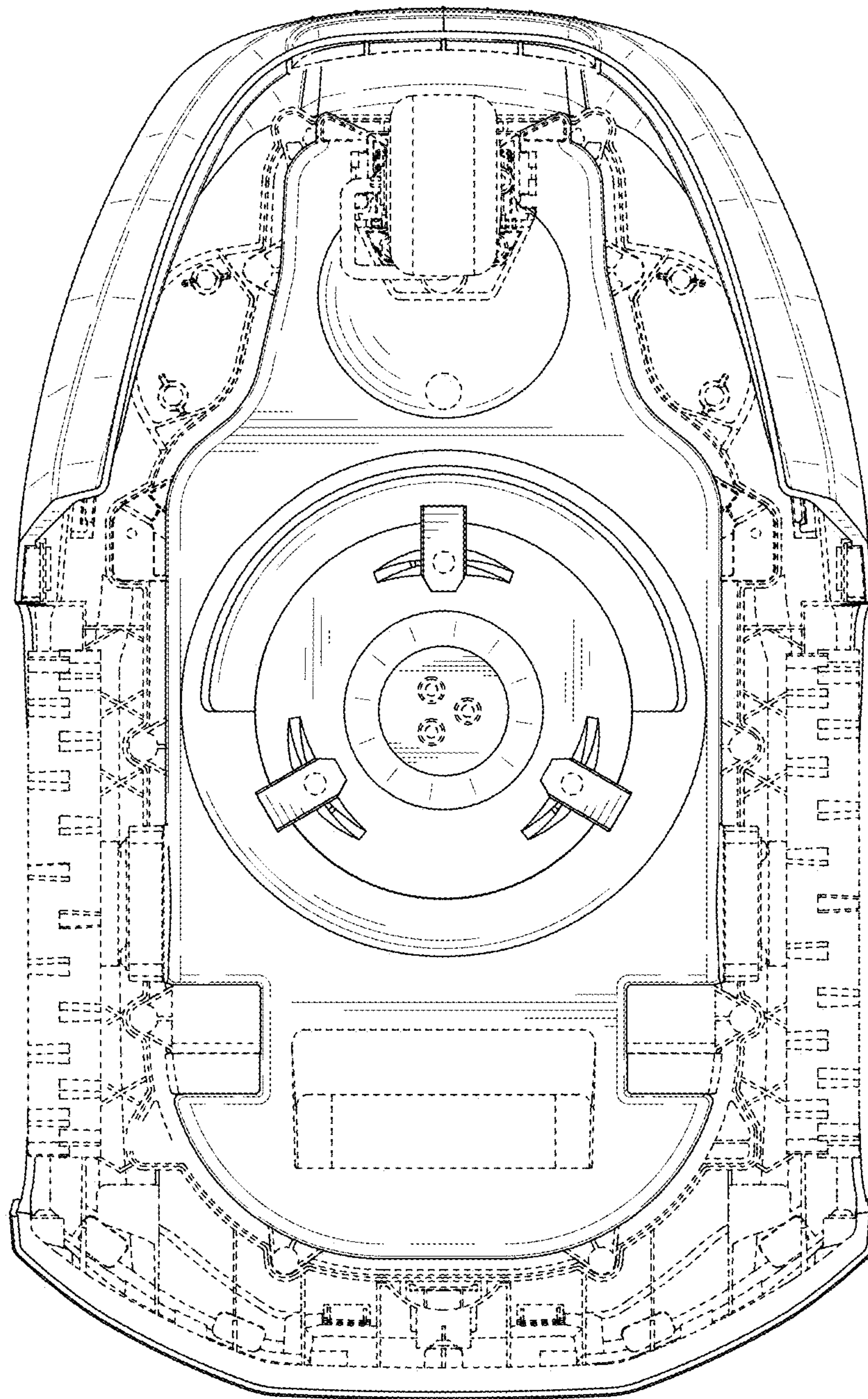


FIG. 8