



US00D946630S

(12) **United States Design Patent**  
**Li**

(10) **Patent No.:** **US D946,630 S**  
(45) **Date of Patent:** **\*\* Mar. 22, 2022**

(54) **MINI BIKE PUMP**  
(71) Applicant: **Shanxi Changsou Technology Co., Ltd., Shanxi (CN)**  
(72) Inventor: **Dong Li, Shanxi (CN)**  
(73) Assignee: **Shanxi Changsou Technology Co., Ltd., Shanxi (CN)**

D855,970 S \* 8/2019 Hannon ..... D3/203.1  
D892,866 S 8/2020 Chen  
D908,736 S \* 1/2021 Yang ..... D15/7  
2003/0110936 A1 \* 6/2003 Chuang ..... B62J 11/02  
92/15  
2005/0263185 A1 \* 12/2005 Chen ..... F04B 33/005  
137/231  
2008/0014098 A1 \* 1/2008 Wu ..... F04B 33/005  
417/234

(\*\*) Term: **15 Years**

(Continued)

(21) Appl. No.: **29/766,364**  
(22) Filed: **Jan. 14, 2021**  
(51) **LOC (13) Cl.** ..... **15-02**  
(52) **U.S. Cl.**  
USPC ..... **D15/7**  
(58) **Field of Classification Search**  
USPC ..... D23/225, 231, 232; D15/7-9; D3/203.1,  
D3/203.5; D4/108  
CPC ..... F04B 53/14; F04B 53/92; F04B 33/00;  
F04B 33/005; F04B 1/005; F04D 13/06;  
F04D 29/22; F04D 29/046; F04D  
29/2266  
See application file for complete search history.

**OTHER PUBLICATIONS**

Chumxiny, Bike Repair Kit, Bike Tire Repair Tool Kit Contains 16-in-1 Tool, 120Psi Mini Bicycle Pump, Bicycle Tire Patch Kit, Used for Mountain Bike and Road Bike, (first available date Sep. 27, 2020), Amazon.com, URL:<<https://www.amazon.com/CHUMXINY-Bicycle-Repair-Contains-Mountain/dp/B08K7BRMGL>> (Year: 2020).\*

*Primary Examiner* — Calvin E Vansant  
*Assistant Examiner* — Mark T. Philipps  
(74) *Attorney, Agent, or Firm* — ScienBiziP, P.C.

(57) **CLAIM**

The ornamental design for a mini bike pump, as shown and described.

(56) **References Cited**

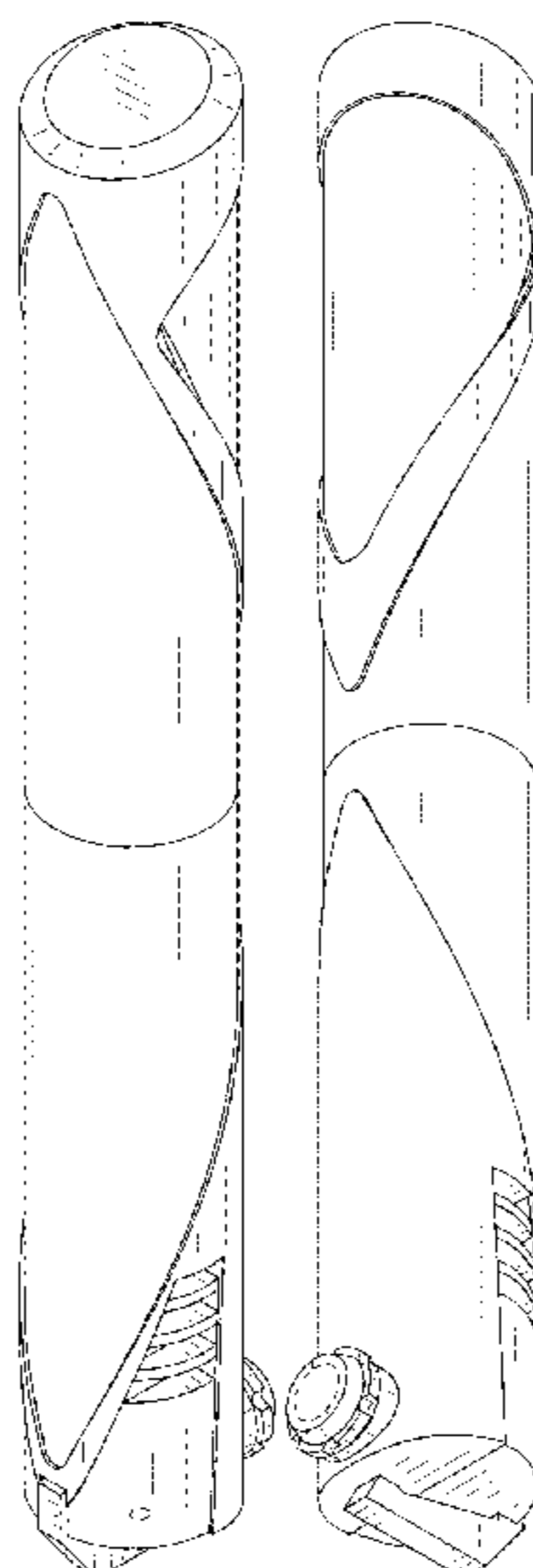
**DESCRIPTION**

**U.S. PATENT DOCUMENTS**

4,919,600 A \* 4/1990 Yang ..... F04B 33/005  
417/313  
5,165,876 A \* 11/1992 Wang ..... F04B 33/005  
417/511  
D351,645 S \* 10/1994 Furusawa ..... D23/231  
D352,093 S \* 11/1994 Knycha ..... D23/231  
D392,650 S \* 3/1998 Zarnowitz ..... D15/7  
D561,461 S \* 2/2008 Smetham ..... D3/203.1  
D669,094 S \* 10/2012 Chang ..... D15/7  
D710,110 S \* 8/2014 Miller ..... D4/108  
D738,613 S \* 9/2015 Winiski ..... D3/205  
D760,490 S \* 7/2016 Johnson ..... D3/203.1  
D813,276 S \* 3/2018 Yuan ..... D15/7  
D820,583 S \* 6/2018 O'Brien ..... D3/203.1

FIG. 1 is a front and top perspective view of a mini bike pump, showing my design.  
FIG. 2 is a rear and bottom perspective view thereof.  
FIG. 3 is a front elevation view thereof.  
FIG. 4 is a rear elevation view thereof.  
FIG. 5 is a left side elevation thereof.  
FIG. 6 is a right side elevation thereof.  
FIG. 7 is a top plan view thereof; and,  
FIG. 8 is a bottom plan view thereof.  
The broken lines shown in the drawings depict portions of the mini bike pump that form no part of the claimed design.

**1 Claim, 8 Drawing Sheets**



(56)

**References Cited**

U.S. PATENT DOCUMENTS

2013/0236333 A1\* 9/2013 Wang ..... F04B 33/005  
417/313  
2015/0258970 A1\* 9/2015 Chen ..... B60S 5/04  
141/351  
2017/0167477 A1\* 6/2017 Hermansen ..... F04B 33/005  
2020/0011310 A1\* 1/2020 Yang ..... F04B 39/0022

\* cited by examiner

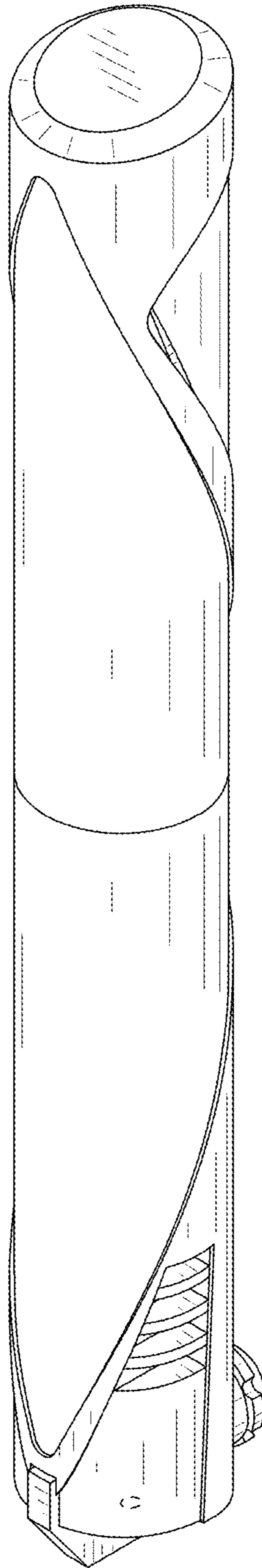


FIG. 1

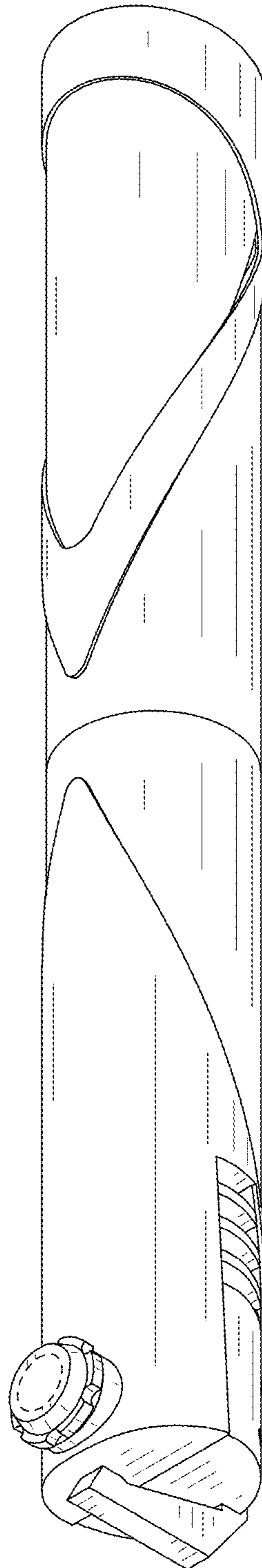


FIG. 2

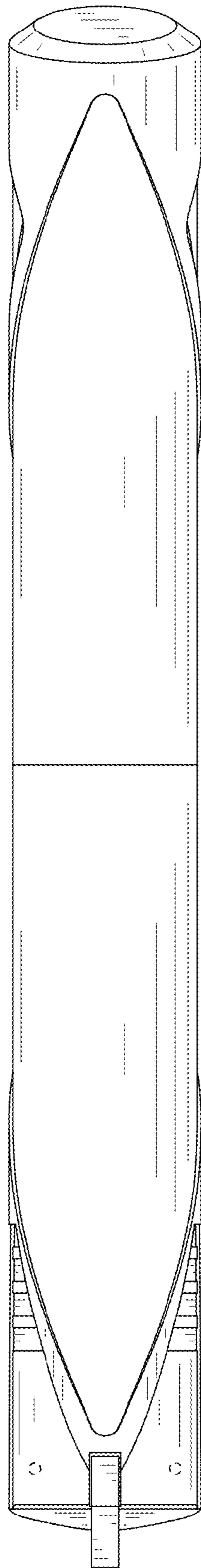


FIG. 3

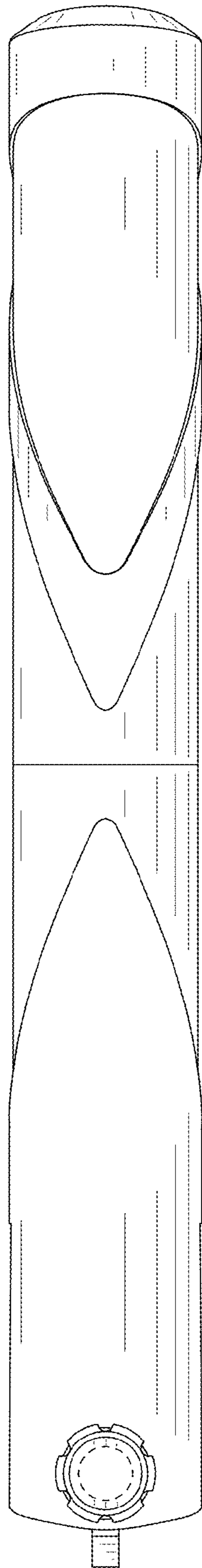


FIG. 4

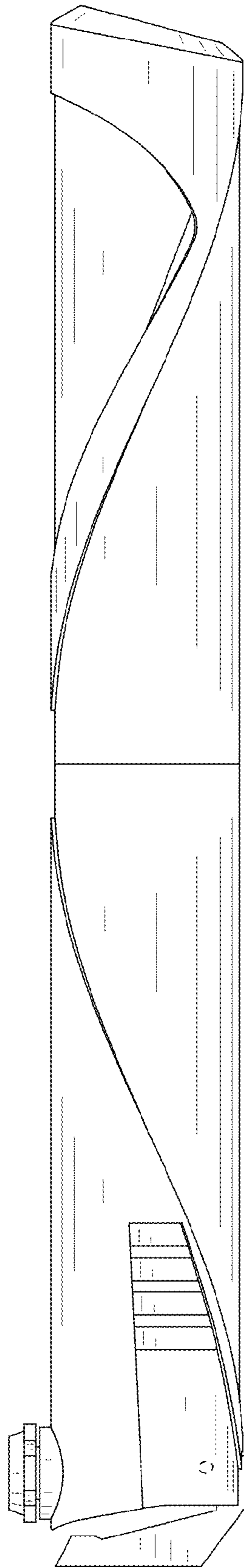


FIG. 5

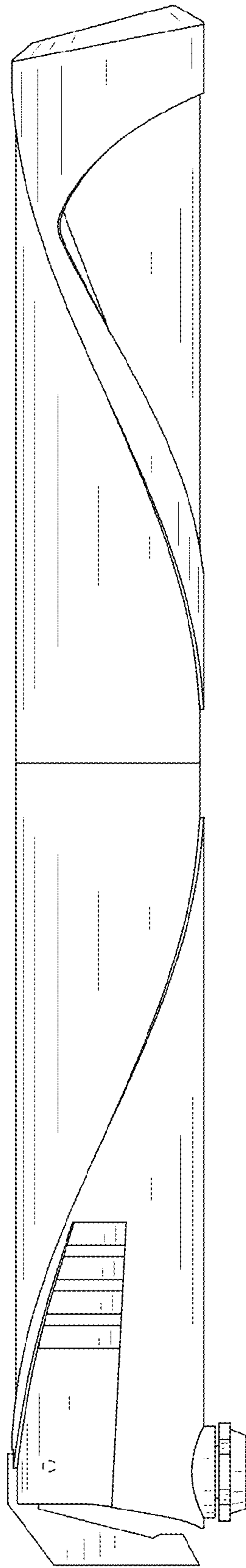


FIG. 6



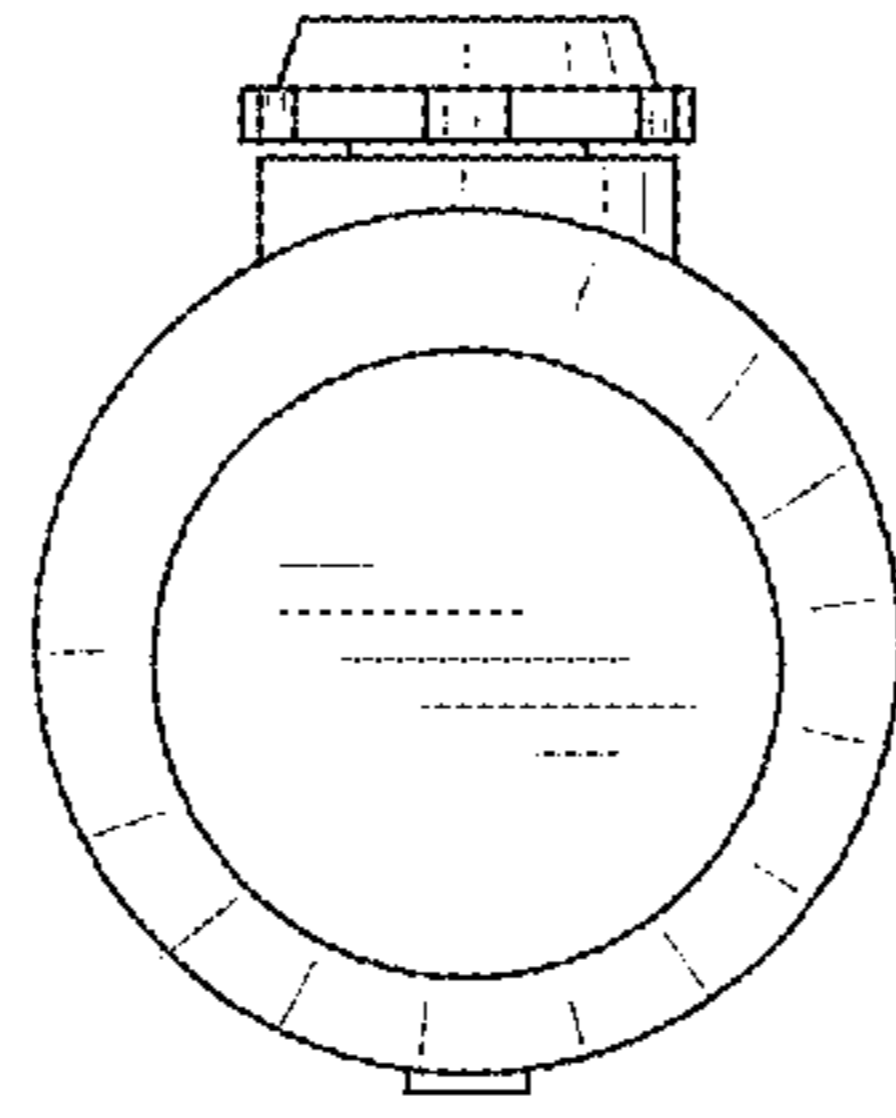


FIG. 7

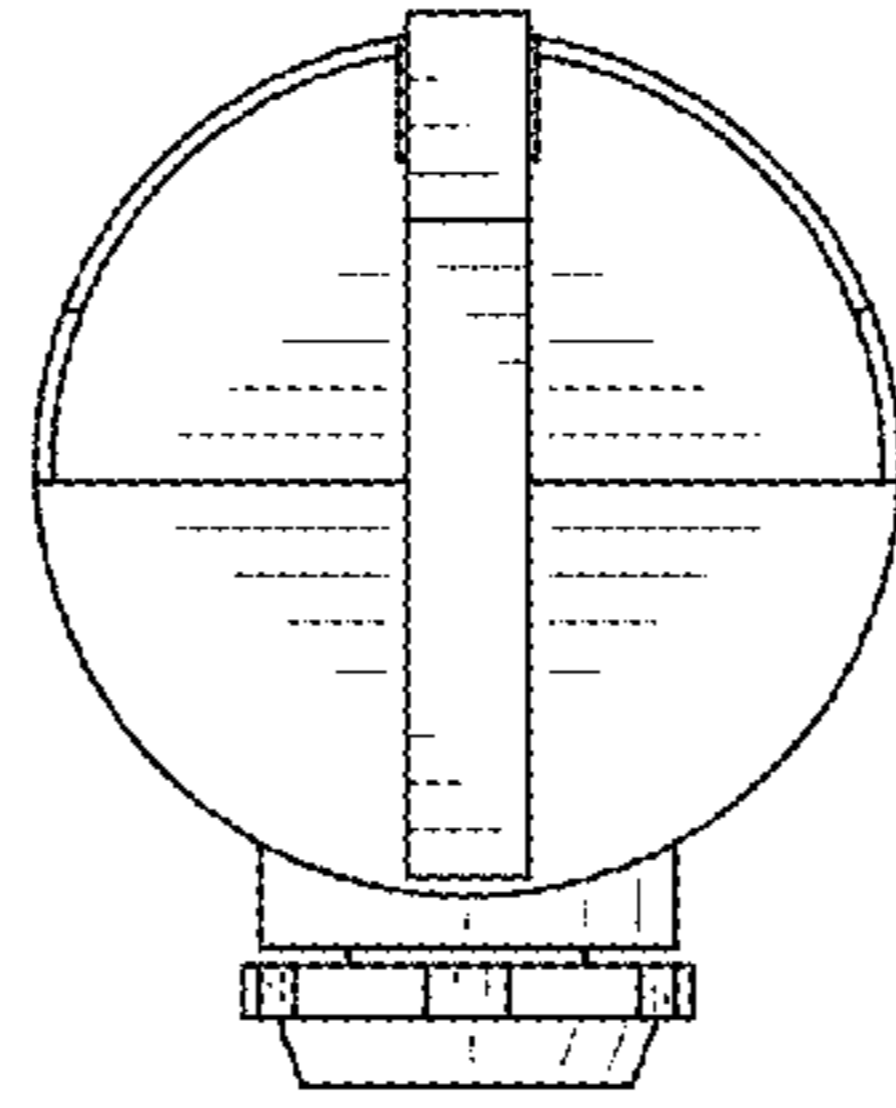


FIG. 8