



US00D946629S

(12) **United States Design Patent**  
**Mjelde**

(10) **Patent No.:** **US D946,629 S**

(45) **Date of Patent:** **\*\* Mar. 22, 2022**

(54) **CENTRIFUGAL PUMP**

3,744,635 A 7/1973 Horvath  
3,909,415 A 9/1975 Young  
3,920,352 A 11/1975 Speck et al.  
(Continued)

(71) Applicant: **AquaStar Pool Products, Inc.**, Ventura,  
CA (US)

(72) Inventor: **Olaf Mjelde**, Ventura, CA (US)

FOREIGN PATENT DOCUMENTS

(73) Assignee: **AQUASTAR POOL PRODUCTS, INC.**, Ventura, CA (US)

EP 0657602 6/1995  
EP 1267085 12/2002  
(Continued)

(\*\*) Term: **15 Years**

OTHER PUBLICATIONS

(21) Appl. No.: **29/759,699**

(22) Filed: **Nov. 24, 2020**

Pentair, IntelliFloXF Variable Speed Pool and Spa Pump, (site visited Apr. 14, 2021), pentair.com, URL:<[https://www.pentair.com/en-us/products/residential/pool-spa-equipment/pool-pumps/intellifloxf\\_variablespeedpump.html](https://www.pentair.com/en-us/products/residential/pool-spa-equipment/pool-pumps/intellifloxf_variablespeedpump.html)> (Year: 2021).\*

(51) **LOC (13) Cl.** ..... **15-02**

(52) **U.S. Cl.**  
USPC ..... **D15/7**

(Continued)

(58) **Field of Classification Search**  
USPC ..... D15/7-8; D23/206, 213, 214, 387, 421  
CPC . F04D 1/00; F04D 1/14; F04D 29/007; F04D  
29/406; F04D 29/426; F04D 29/4293;  
F04D 13/06; F04D 29/041; F04D 29/22;  
F04D 29/60; F04D 29/605; F04D  
15/0088; F04D 15/0066; F04D 15/0245  
See application file for complete search history.

*Primary Examiner* — Calvin E Vansant  
*Assistant Examiner* — Mark T. Philipps  
(74) *Attorney, Agent, or Firm* — Cislo & Thomas, LLP

(56) **References Cited**

(57) **CLAIM**

The ornamental design for a centrifugal pump, as shown and described.

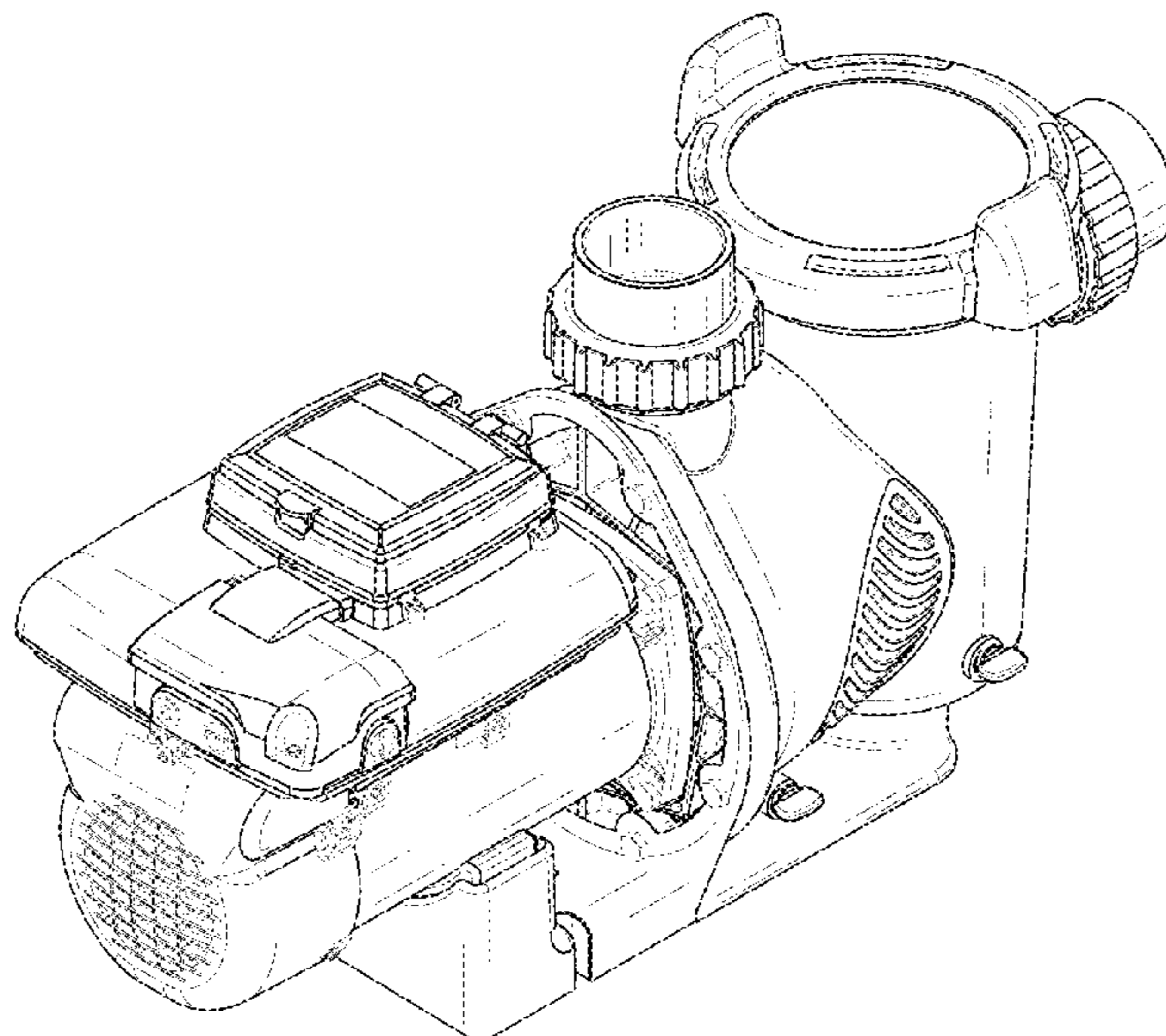
U.S. PATENT DOCUMENTS

**DESCRIPTION**

- 1,623,103 A 4/1927 Frederick
- D131,875 S 3/1942 Houston
- 2,477,079 A 7/1949 Mueller
- 2,865,539 A 12/1958 Edwards
- 2,945,448 A 7/1960 Frederick
- 2,951,449 A 9/1960 Van Blarcom, Jr.
- 3,243,102 A 3/1966 McMahan
- 3,396,906 A 8/1968 Newton
- 3,425,355 A 2/1969 La Flame
- 3,468,260 A 9/1969 Belden
- 3,542,201 A 11/1970 Belonger
- 3,614,256 A 10/1971 Sieghartner
- 3,637,331 A 1/1972 Smith et al.
- 3,685,919 A 8/1972 Speck

FIG. 1 is a rear perspective view of my centrifugal pump;  
FIG. 2 is a rear view thereof;  
FIG. 3 is a front view thereof;  
FIG. 4 is a top view thereof;  
FIG. 5 is a bottom view thereof;  
FIG. 6 is a right side view thereof;  
FIG. 7 is a left side view thereof; and,  
FIG. 8 is a front perspective view thereof.  
The broken lines shown in the drawings illustrate portions of my centrifugal pump that form no part of the claimed design.

**1 Claim, 8 Drawing Sheets**



(56)

References Cited

U.S. PATENT DOCUMENTS

3,966,363 A 6/1976 Rowley et al.  
 4,059,519 A 11/1977 Zieg  
 D255,480 S 6/1980 Zieg  
 4,242,064 A 12/1980 Uncles  
 4,269,557 A 5/1981 Kidd  
 4,287,067 A 9/1981 Dynner  
 4,353,846 A 10/1982 Mehrens et al.  
 4,473,470 A 9/1984 Loutit  
 4,629,557 A 12/1986 Tobias  
 4,773,823 A 9/1988 Pease  
 4,783,260 A 11/1988 Kurihara  
 D299,143 S 12/1988 Hazlehurst  
 4,871,303 A 10/1989 Roesler  
 4,898,513 A 2/1990 Hon  
 5,076,758 A 12/1991 Palgrave  
 5,156,535 A 10/1992 Budris et al.  
 5,180,280 A 1/1993 Honda  
 5,409,606 A 4/1995 Spencer  
 D372,719 S \* 8/1996 Jensen ..... D15/7  
 5,624,559 A 4/1997 Levin et al.  
 5,858,234 A 1/1999 Sukun  
 5,897,787 A 4/1999 Keller  
 D419,567 S 1/2000 Weiss  
 6,041,453 A 3/2000 Barrow et al.  
 D425,911 S 5/2000 Fleischer et al.  
 6,149,407 A 11/2000 Laing  
 6,187,179 B1 2/2001 Mayer et al.  
 6,287,466 B1 9/2001 Yassin  
 D450,106 S 11/2001 Herr  
 D450,327 S 11/2001 Herr  
 6,379,127 B1 4/2002 Andrews et al.  
 D466,522 S 12/2002 Huang  
 6,554,587 B2 4/2003 Paolini et al.  
 6,623,245 B2 9/2003 Meza et al.  
 6,659,717 B1 12/2003 Kao  
 6,716,348 B1 4/2004 Morgan  
 6,824,354 B2 11/2004 Laing  
 D507,579 S 7/2005 Rossman et al.  
 6,939,463 B2 9/2005 Leaverton  
 6,955,637 B1 10/2005 Montano et al.  
 6,974,303 B2 12/2005 Wang  
 7,001,159 B2 2/2006 Peterson, Jr. et al.  
 D517,570 S 3/2006 Stiles, Jr. et al.  
 7,063,791 B2 6/2006 Miner  
 7,083,392 B2 8/2006 Meza et al.  
 D536,705 S \* 2/2007 Griffin ..... D15/7  
 7,191,998 B1 3/2007 Chalberg et al.  
 7,223,337 B1 5/2007 Franzino et al.  
 D550,805 S 9/2007 Hazlehurst  
 D551,256 S 9/2007 Pecca et al.  
 D557,374 S 12/2007 Pecca  
 D568,340 S \* 5/2008 Stiles, Jr. .... D15/5  
 D573,607 S \* 7/2008 Bulter ..... D15/7  
 D588,159 S \* 3/2009 Griffin ..... D15/7  
 D590,842 S 4/2009 Clark et al.  
 7,531,092 B2 5/2009 Hazlehurst  
 7,686,587 B2 3/2010 Koehl  
 7,686,589 B2 3/2010 Stiles, Jr. et al.  
 7,878,766 B2 2/2011 Meza et al.  
 8,186,517 B2 5/2012 Bowman  
 8,602,743 B2 12/2013 Stiles  
 D713,860 S \* 9/2014 Pedrollo ..... D15/7  
 D775,236 S \* 12/2016 Bruning ..... D15/7  
 D817,361 S \* 5/2018 Weber ..... D15/7  
 D822,719 S \* 7/2018 Hines ..... D15/7  
 10,883,493 B1 \* 1/2021 Walden ..... F04B 53/1097  
 2001/0021613 A1 9/2001 Fadeley et al.  
 2003/0017055 A1 1/2003 Fong  
 2004/0009075 A1 1/2004 Meza et al.  
 2004/0091373 A1 5/2004 Terry et al.  
 2004/0149666 A1 8/2004 Leaverton  
 2005/0019154 A1 1/2005 Dial

2005/0084401 A1 4/2005 Coray et al.  
 2005/0095150 A1 5/2005 Leone  
 2005/0100455 A1 5/2005 Tuddenham  
 2005/0118039 A1 6/2005 Shorten et al.  
 2005/0158194 A1 7/2005 Sloan et al.  
 2005/0265865 A1 12/2005 Loyd  
 2006/0088423 A1 4/2006 Brunet et al.  
 2006/0204367 A1 9/2006 Meza et al.  
 2007/0028372 A1 2/2007 VanDerWoude et al.  
 2007/0114162 A1 5/2007 Stiles et al.  
 2007/0114168 A1 5/2007 Hazlehurst  
 2007/0154319 A1 7/2007 Stiles, Jr. et al.  
 2007/0154320 A1 7/2007 Stiles, Jr. et al.  
 2007/0154321 A1 7/2007 Stiles, Jr. et al.  
 2007/0154322 A1 7/2007 Stiles, Jr. et al.  
 2007/0154323 A1 7/2007 Stiles, Jr. et al.  
 2007/0183902 A1 8/2007 Stiles, Jr. et al.  
 2008/0079259 A1 4/2008 Parcell  
 2008/0086810 A1 4/2008 Le  
 2008/0181786 A1 7/2008 Meza et al.  
 2008/0181788 A1 7/2008 Meza et al.  
 2008/0181790 A1 7/2008 Meza et al.  
 2009/0064406 A1 3/2009 Lawyer et al.  
 2009/0071746 A1 \* 3/2009 Teisseyre ..... F04D 25/06  
 181/151  
 2009/0145498 A1 6/2009 Bowman et al.  
 2009/0274555 A1 11/2009 Ouwehand  
 2009/0320202 A1 12/2009 Lawyer et al.  
 2010/0115715 A1 5/2010 Ortiz et al.  
 2010/0146696 A1 6/2010 Campbell et al.  
 2010/0247332 A1 9/2010 Stiles, Jr. et al.  
 2010/0254825 A1 10/2010 Stiles, Jr. et al.  
 2011/0076156 A1 3/2011 Stiles, Jr. et al.  
 2011/0280744 A1 \* 11/2011 Ortiz ..... F04B 49/065  
 417/313  
 2013/0011268 A1 1/2013 Miller et al.  
 2013/0115071 A1 5/2013 Miller et al.  
 2013/0129536 A1 5/2013 Robol et al.  
 2013/0146525 A1 6/2013 Parcell et al.  
 2014/0359964 A1 12/2014 Schlapkohl  
 2015/0063987 A1 \* 3/2015 Herger ..... F04D 29/628  
 415/121.2  
 2015/0167673 A1 \* 6/2015 Saccoccio ..... F04D 29/426  
 415/1  
 2018/0126570 A1 5/2018 Werner  
 2019/0219064 A1 7/2019 Saccoccio et al.  
 2019/0271320 A1 \* 9/2019 Afshar ..... F04D 29/708  
 2020/0124056 A1 \* 4/2020 Wu ..... F04D 29/588

FOREIGN PATENT DOCUMENTS

EP 2868928 5/2015  
 JP 06341398 12/1994  
 JP 2600384 2/1995  
 JP 2005146981 6/2005  
 JP 2017040206 2/2017  
 WO WO 0068575 11/2000

OTHER PUBLICATIONS

Jandy, EPUMP Pump, (site visited Apr. 14, 2021), Jandy.com, URL:<<https://www.jandy.com/en/commercial/pumps/epump>> (Year: 2021).  
<https://www.pentair.com/en-us/products/residential/pool-spa-equipment/pool-pumps>, 9 pages.  
<https://www.hayward-pool.com/shop/en/commercial/res-pumps>, 3 pages.  
<https://www.pentair.com/en-us/products/residential/pool-spa-equipment/pool-pumps.html>, 9 pages.  
<https://www.jandy.com/en/products/pool-pumps>, 6 pages.  
[http://www.waterwayplastics.com/wp-content/uploads/807-1021.0112-Econo-Flo-Pumps-Brochure\\_pgs\\_3web.pdf](http://www.waterwayplastics.com/wp-content/uploads/807-1021.0112-Econo-Flo-Pumps-Brochure_pgs_3web.pdf), 6 pages.

\* cited by examiner

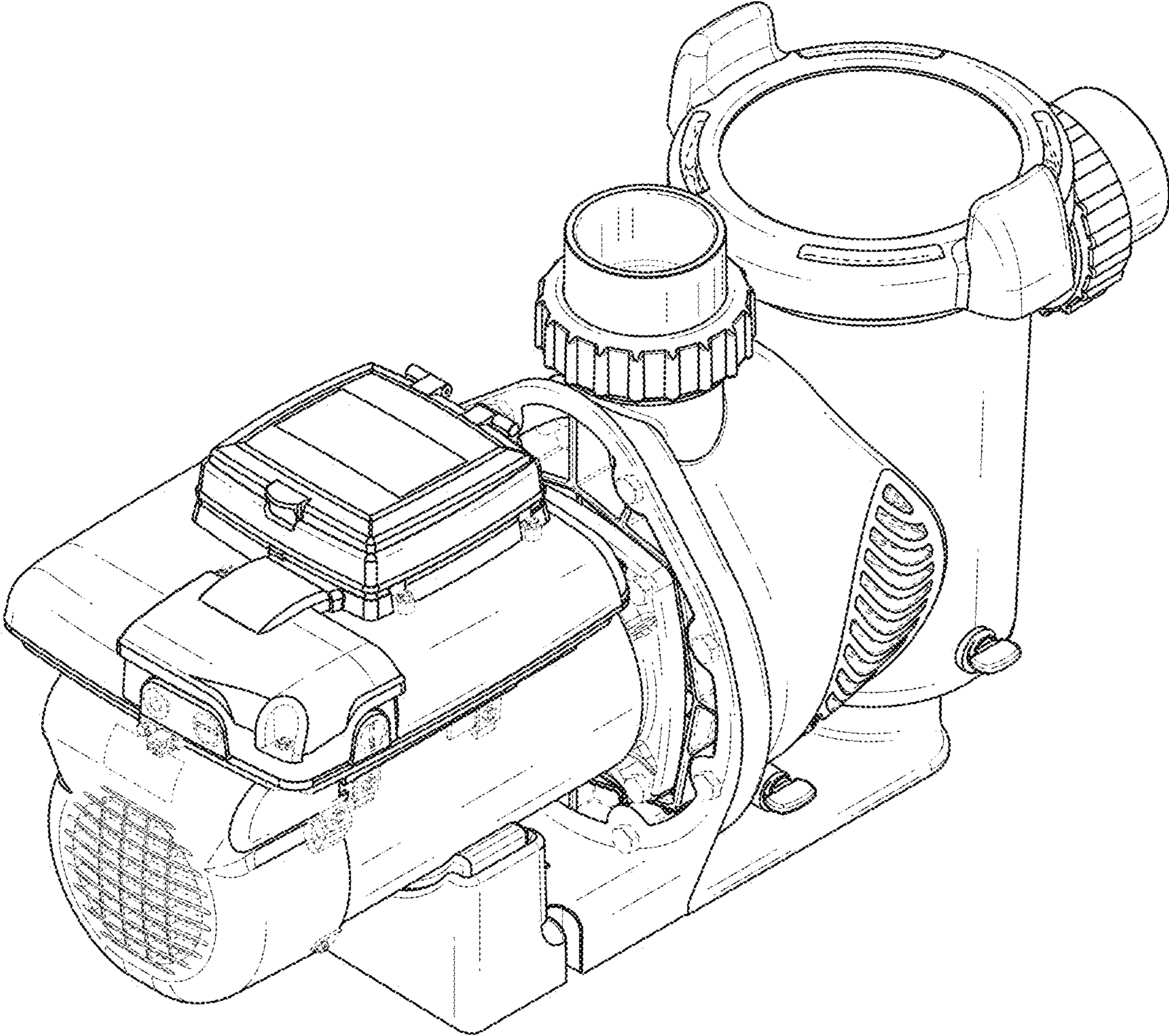


Fig. 1

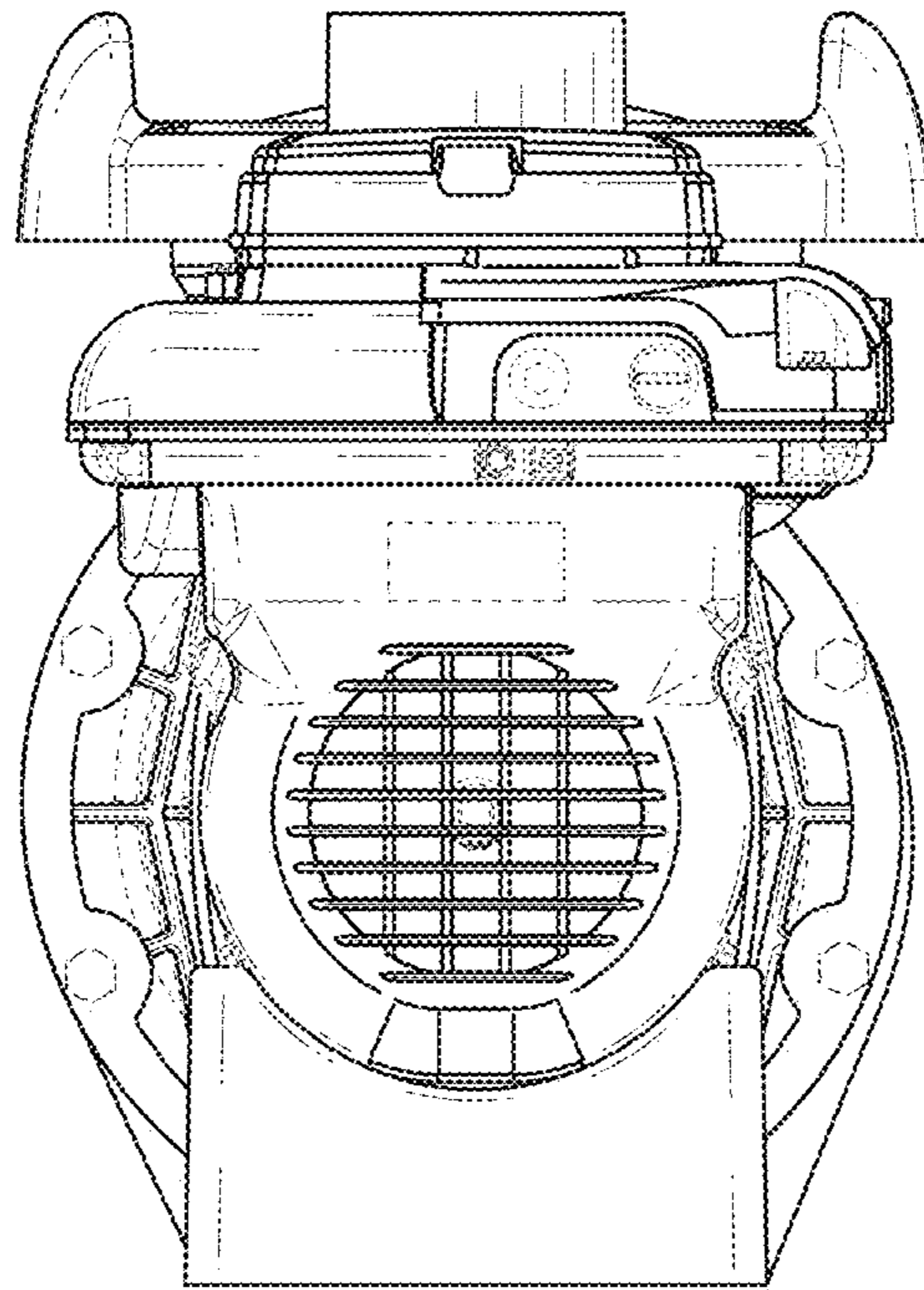


Fig. 2

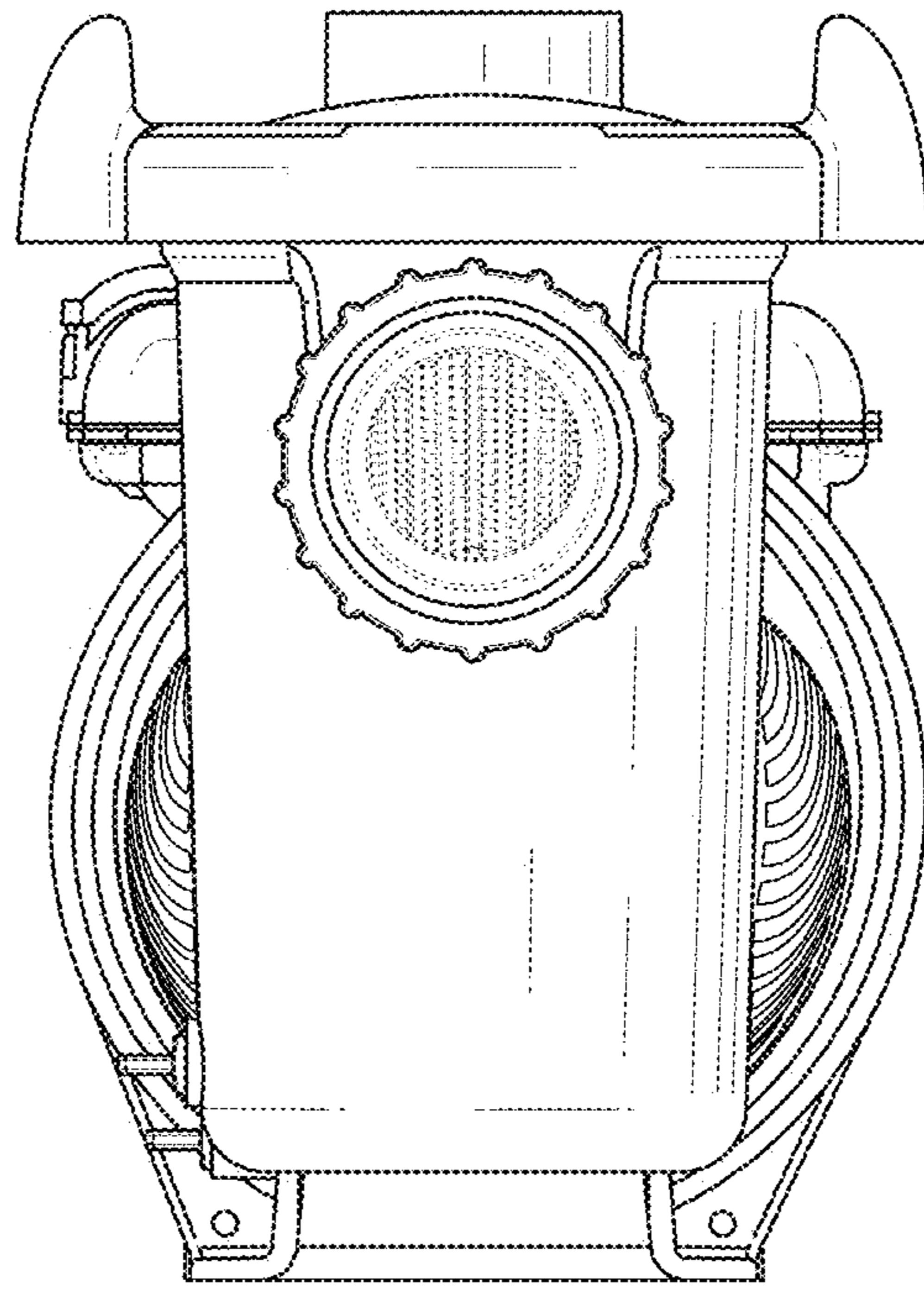


Fig. 3

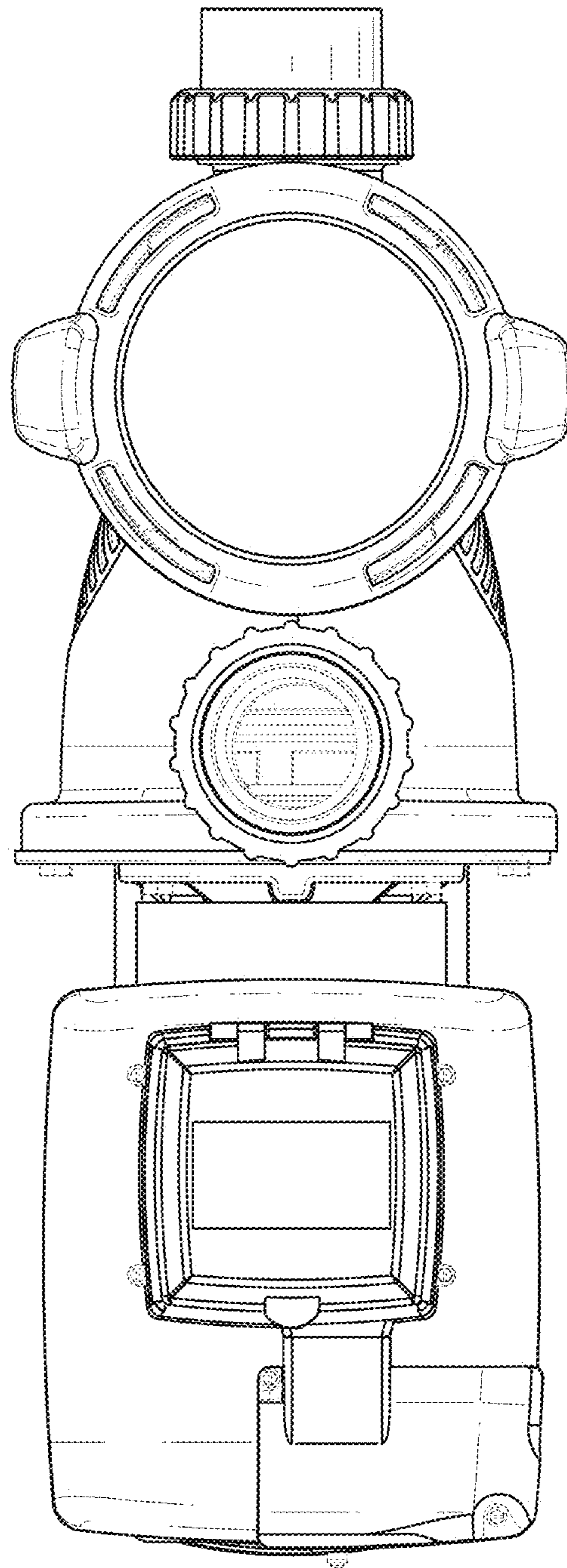


Fig. 4

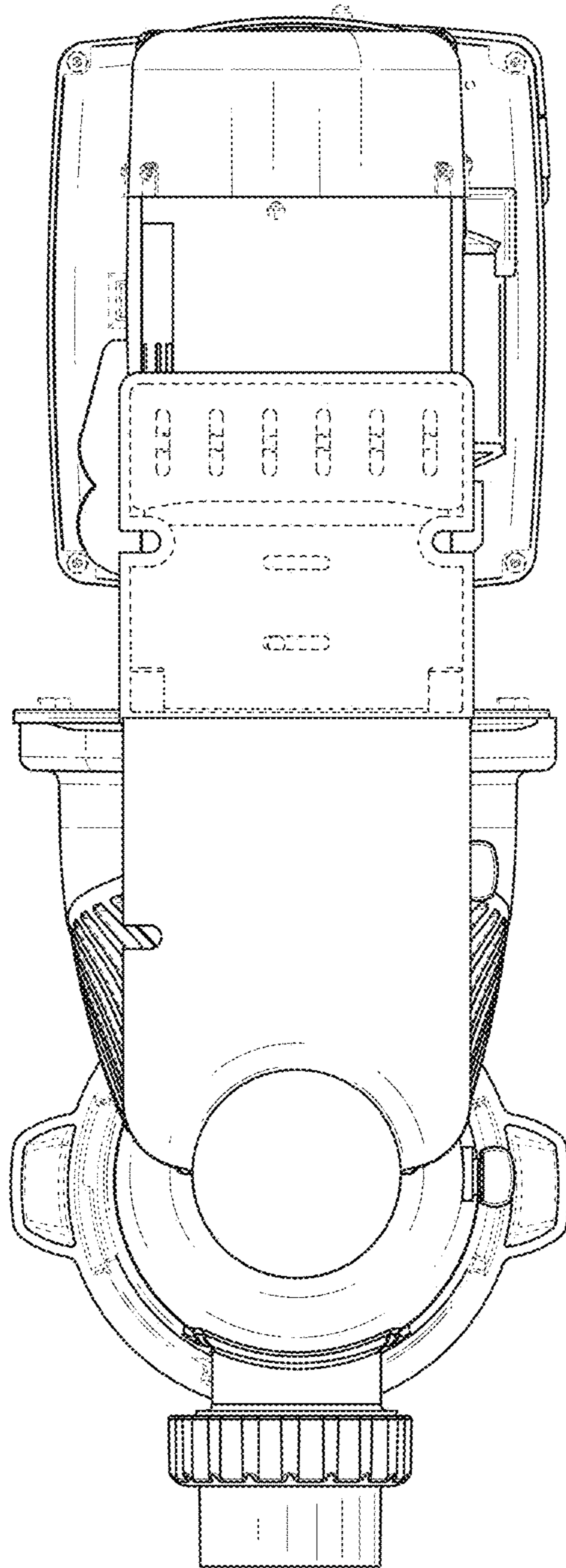


Fig. 5

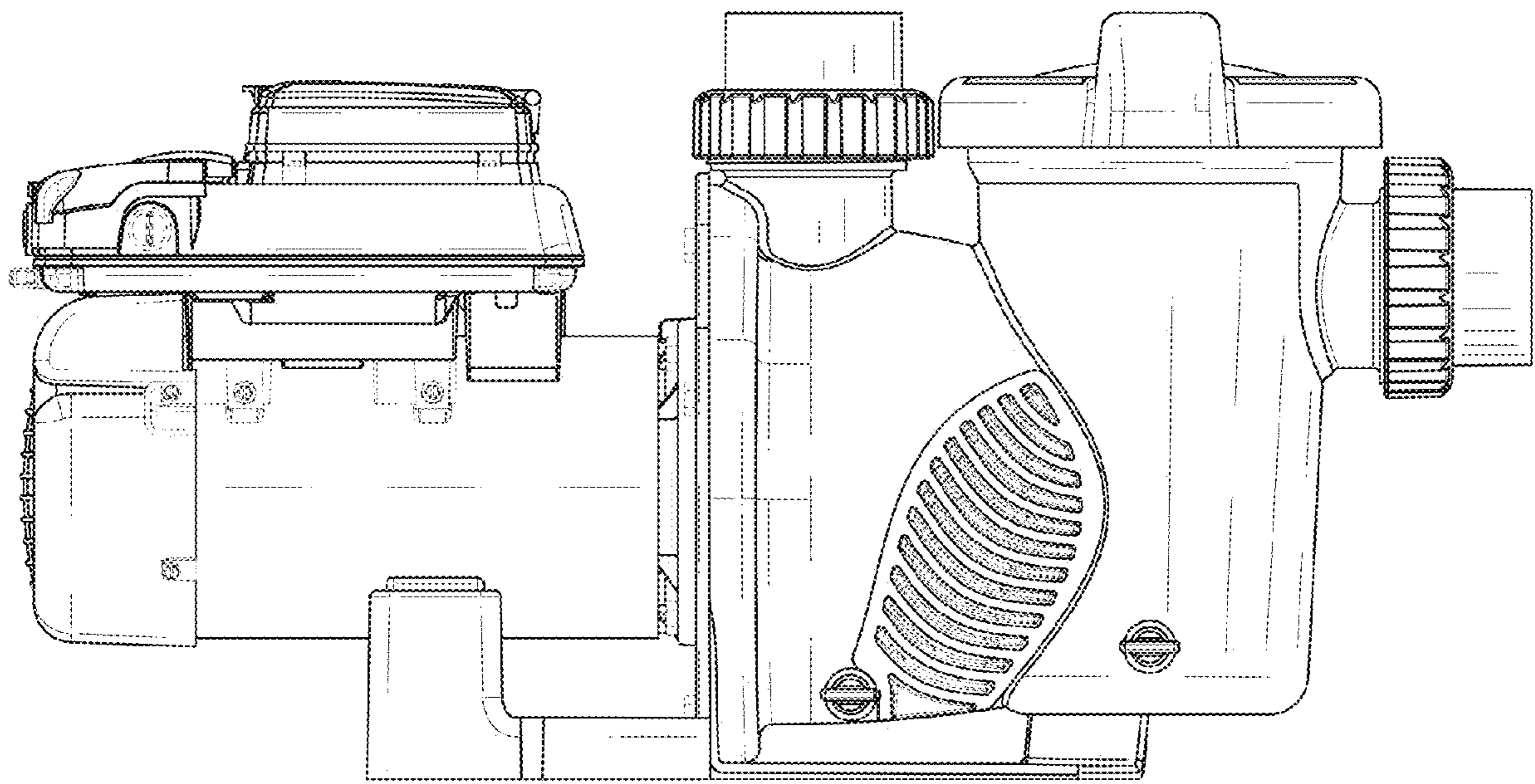


Fig. 6



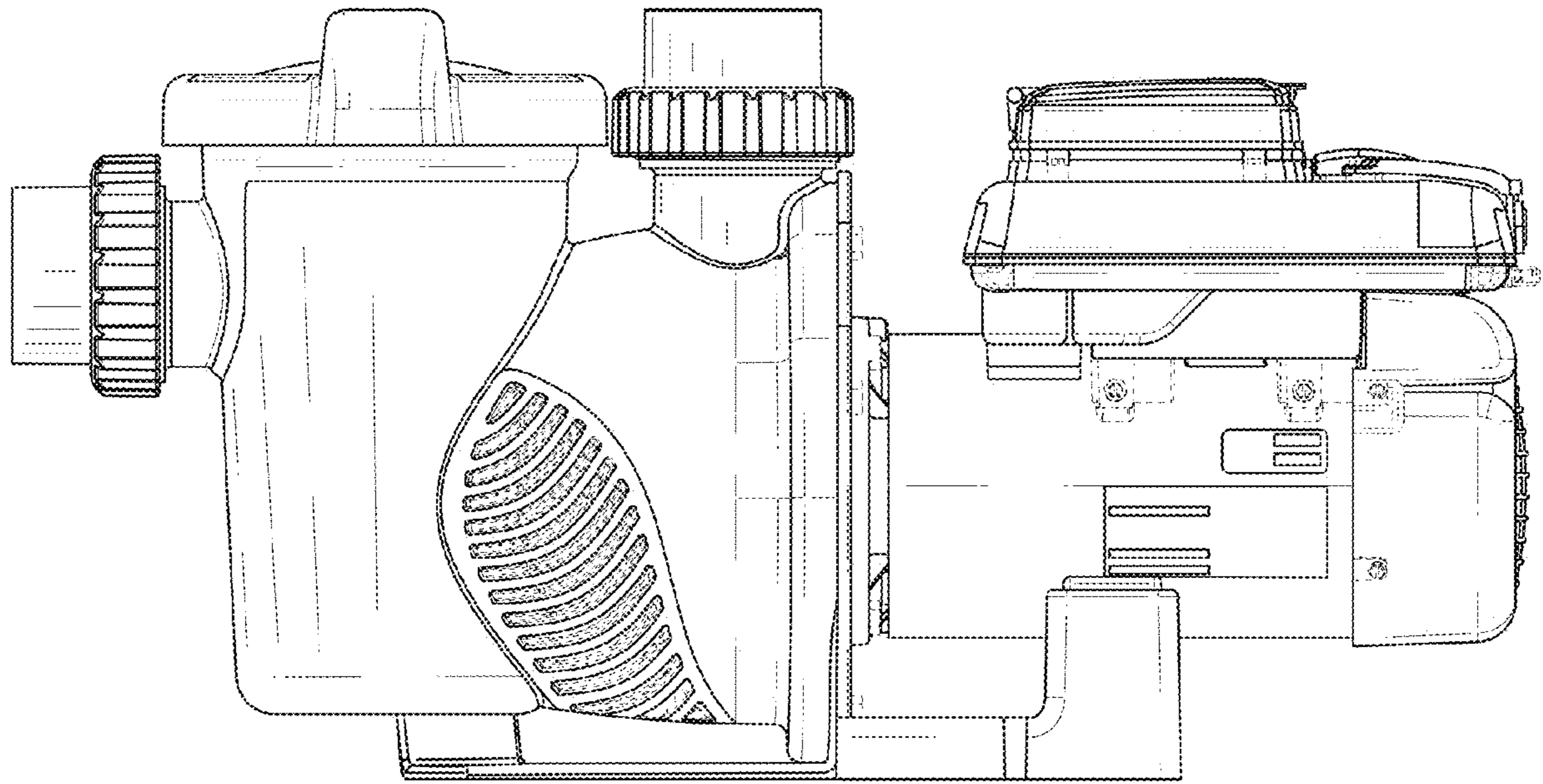


Fig. 7

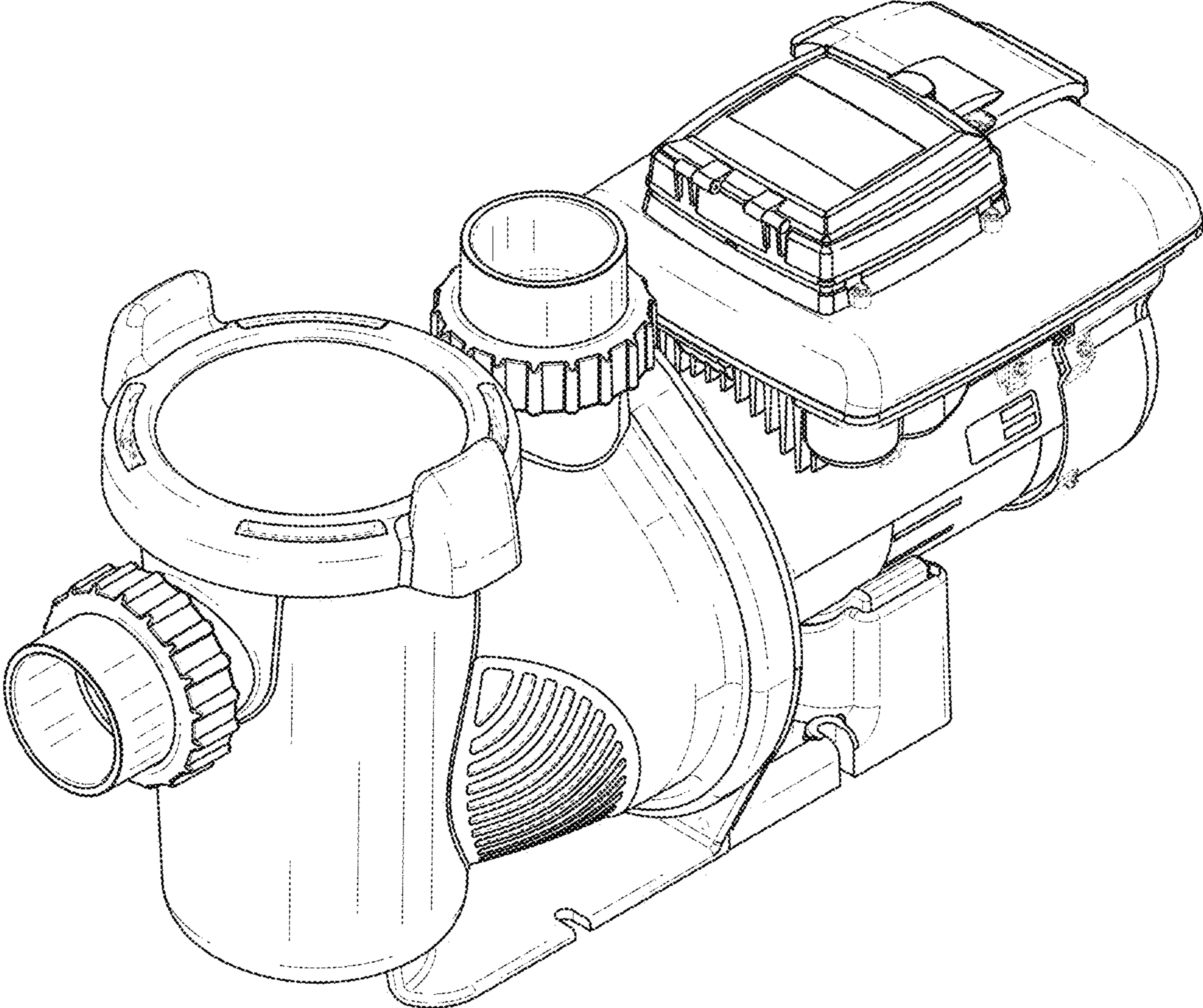


Fig. 8