



US00D946628S

(12) **United States Design Patent**  
**Wei**

(10) **Patent No.:** **US D946,628 S**  
(45) **Date of Patent:** **\*\* Mar. 22, 2022**

(54) **WATER PUMP**

(71) Applicant: **DeepMotor, Inc.**, Rancho Cucamonga, CA (US)

(72) Inventor: **Yong Wei**, Rancho Cucamonga, CA (US)

(73) Assignee: **DEEPMOTOR INC**, Rancho Cucamong, CA (US)

(\*\*) Term: **15 Years**

(21) Appl. No.: **29/753,470**

(22) Filed: **Sep. 30, 2020**

(51) **LOC (13) Cl.** ..... **15-02**

(52) **U.S. Cl.**  
USPC ..... **D15/7; D15/5**

(58) **Field of Classification Search**  
USPC ..... D15/5, 7-9.1, 21, 199; D10/96, 99, 100  
CPC ..... F04D 15/0088; F04D 15/0066; F04D 15/0245; F04D 3/00; F04D 3/005; F04D 3/02; F04D 13/06; F04D 29/041; F04D 29/22; F04D 29/60; F04D 29/605; F04B 2203/0208; F04B 17/03; F04B 17/046; F04B 17/048; F04B 35/04; F04B 43/04; F04B 43/043

See application file for complete search history.

(56) **References Cited**

**U.S. PATENT DOCUMENTS**

D270,640 S *	9/1983	Hollander	.....	D15/7
D284,380 S *	6/1986	Berg	.....	D15/7
D308,209 S *	5/1990	Laqua	.....	D15/7
D315,912 S *	4/1991	Nishida	.....	D15/7
D339,144 S *	9/1993	Cline, Sr.	.....	D15/7
D479,246 S *	9/2003	Leu	.....	D15/7
6,988,401 B2 *	1/2006	Roberjot	.....	F16J 15/061
				73/234
D524,327 S *	7/2006	Weiss	.....	D15/7

D582,944 S *	12/2008	Turgut	.....	D15/7
D629,423 S *	12/2010	Varini	.....	D15/7
D641,380 S *	7/2011	Milojevic	.....	D15/7

(Continued)

**OTHER PUBLICATIONS**

Assault Racing Products, 6035000 Small Block Chevy Chrome Aluminum Electric Water Pump HV SBC 327 350, (dated first available Jan. 13, 2015), Amazon.com, URL:<https://www.amazon.com/Assault-Racing-Products-Aluminum-Electric/dp/B00S75H3QO> (Year: 2015).\*

(Continued)

*Primary Examiner* — Sheryl Lane

*Assistant Examiner* — Mark T. Philipps

(74) *Attorney, Agent, or Firm* — Loza & Loza, LLP; Heidi L. Eisenhut

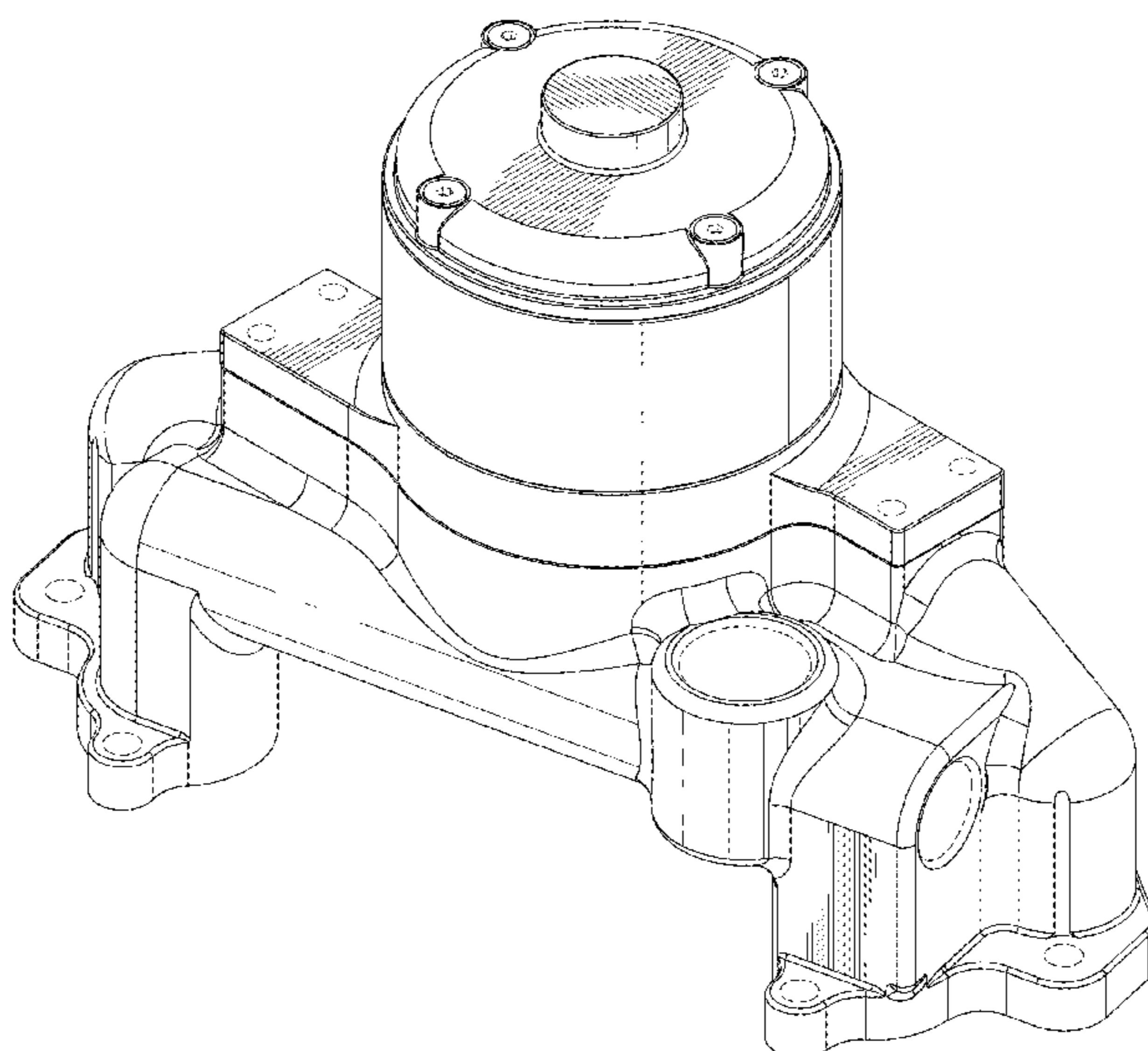
(57) **CLAIM**

The ornamental design for a water pump, as shown and described.

**DESCRIPTION**

FIG. 1 is a front, bottom and right side perspective view of a water pump of the present invention; FIG. 2 is a front, bottom and left side perspective view of the water pump of FIG. 1; FIG. 3 is a bottom plan view of the water pump of FIG. 1; FIG. 4 is a top plan view of the water pump of FIG. 1; FIG. 5 is a left side elevation view of the water pump of FIG. 1; FIG. 6 is a right side elevation view of the water pump of FIG. 1; FIG. 7 is a front elevation view of the water pump of FIG. 1; and, FIG. 8 is a rear elevation view of the water pump of FIG. 1. The broken lines show features of the water pump that form no part of the claimed design.

**1 Claim, 7 Drawing Sheets**



(56)

**References Cited**

U.S. PATENT DOCUMENTS

7,980,124 B2 \* 7/2011 Cros ..... G01F 15/068  
73/198  
D645,057 S \* 9/2011 Benoit ..... D15/9  
D680,133 S \* 4/2013 Hoehn ..... D15/7  
D695,318 S \* 12/2013 Link ..... D15/9  
D696,300 S \* 12/2013 Arotzarena ..... D15/7  
D742,928 S \* 11/2015 West ..... D15/7  
D745,059 S \* 12/2015 Yong ..... D15/7  
D763,322 S \* 8/2016 Haugaard ..... D15/7  
9,568,351 B1 \* 2/2017 Gregory ..... G01F 15/14  
D800,791 S \* 10/2017 Pin, III ..... D15/7  
D864,776 S \* 10/2019 Hendey, Sr. .... D10/99  
D902,061 S \* 11/2020 Dabule ..... D10/99  
10,969,263 B2 \* 4/2021 Stetsenko ..... G01F 15/063

OTHER PUBLICATIONS

Pro Form, 66225BK Electric Water Pump, (dated first available  
Nov. 21, 2004), Amazon.com, URL:<[https://www.amazon.com/  
Proform-66225BK-Electric-Water-Pump/dp/B000630IJ4](https://www.amazon.com/Proform-66225BK-Electric-Water-Pump/dp/B000630IJ4)> (Year:  
2004).\*

\* cited by examiner

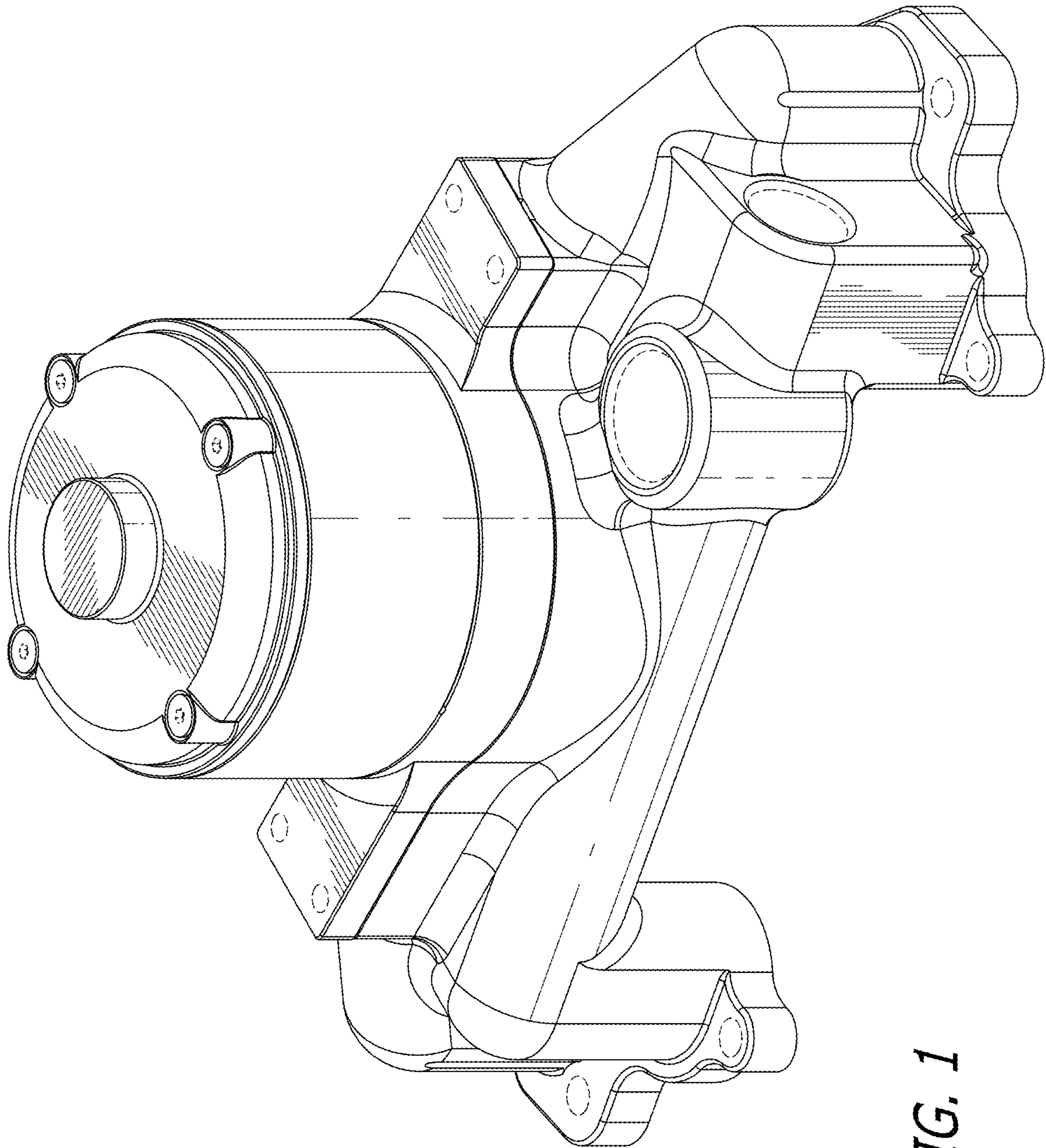


FIG. 1

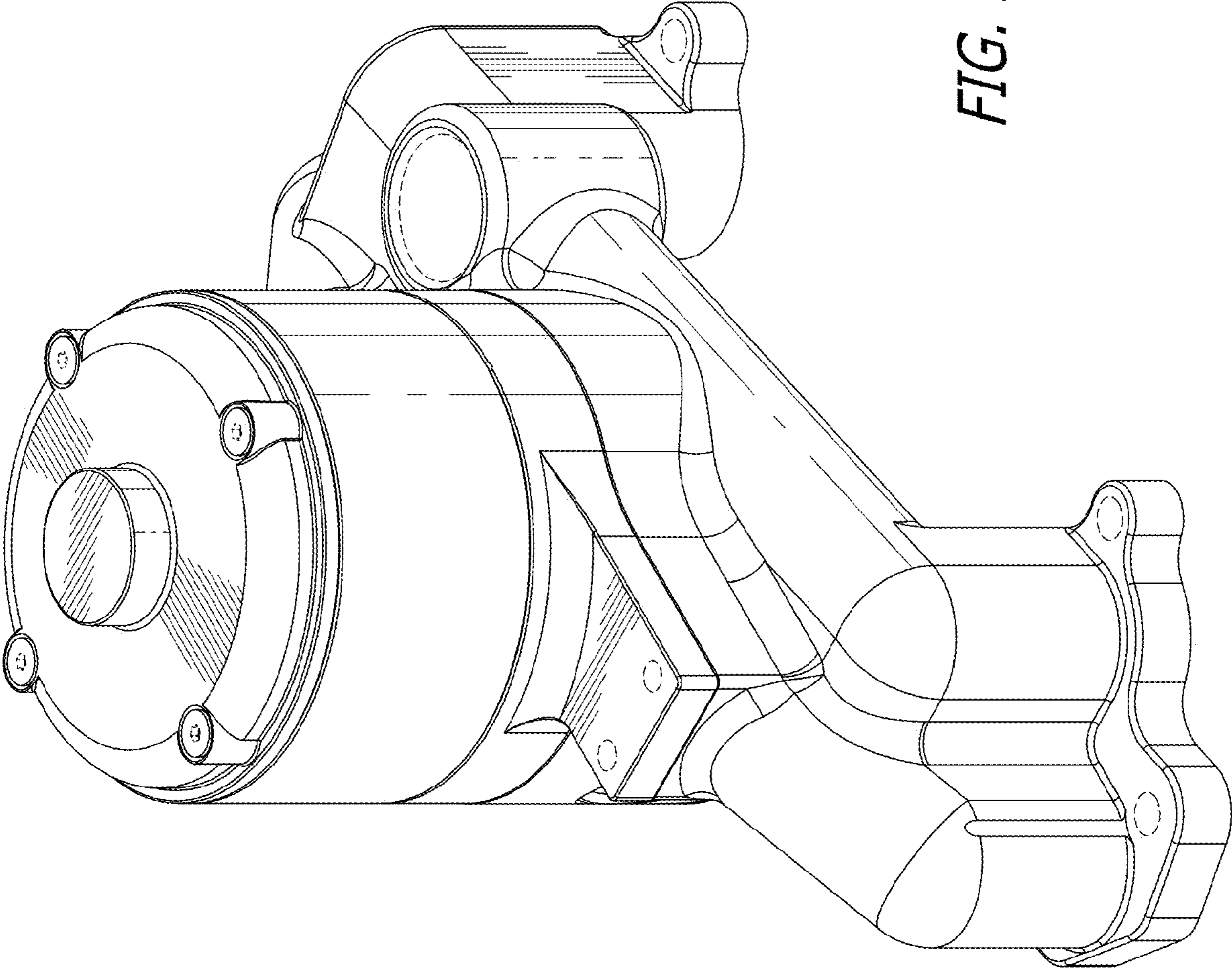


FIG. 2

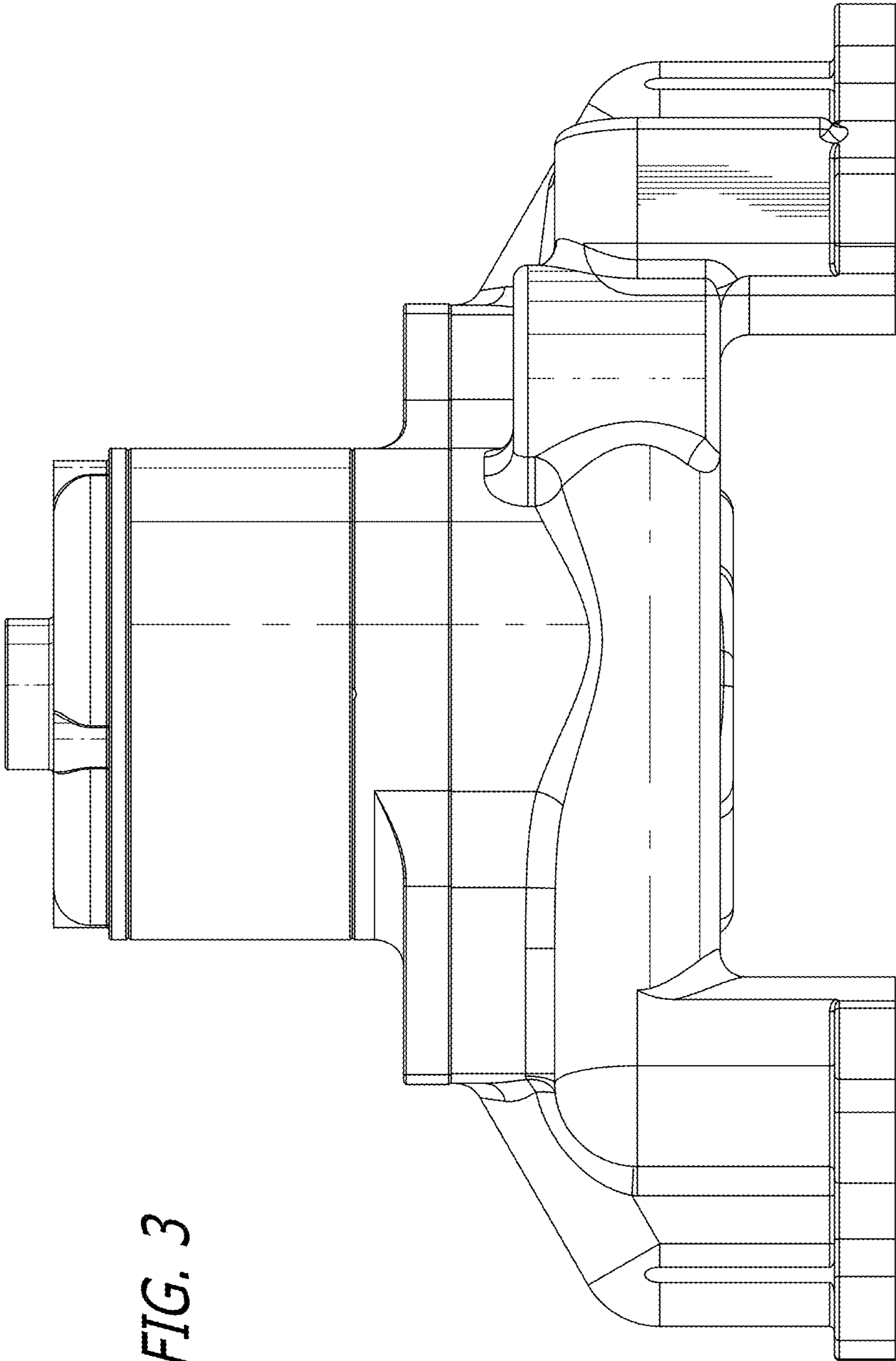


FIG. 3

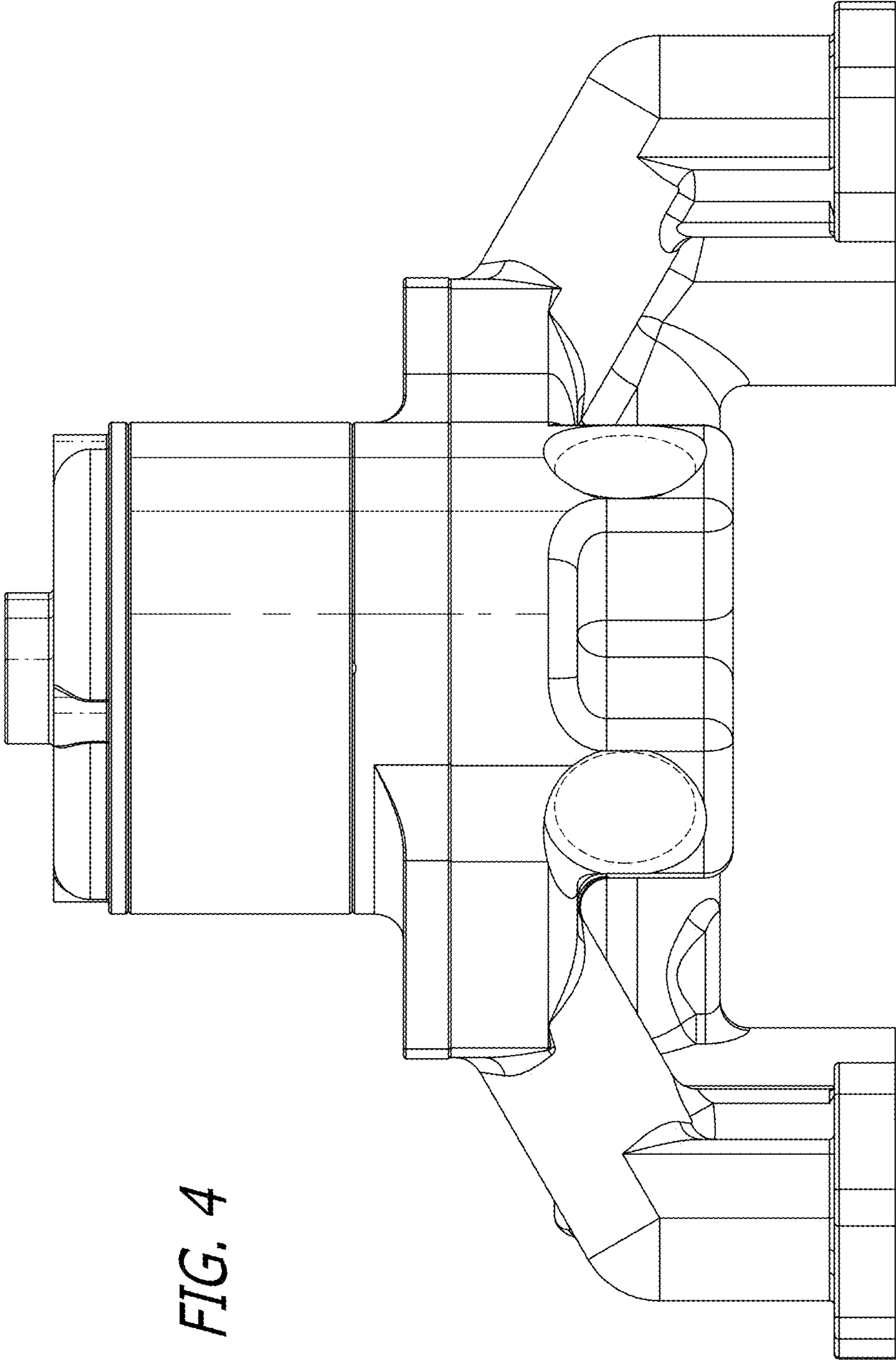


FIG. 4

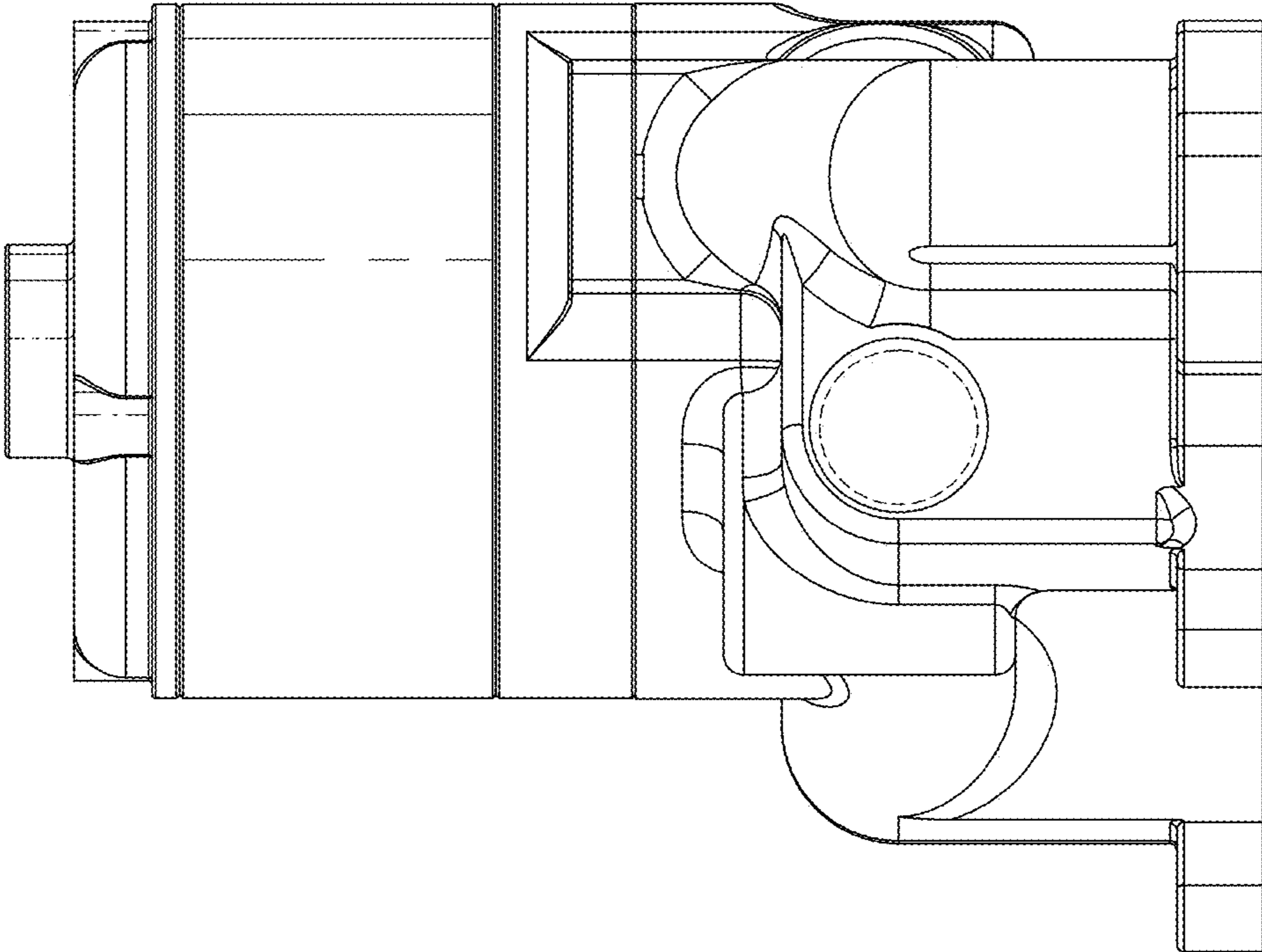


FIG. 6

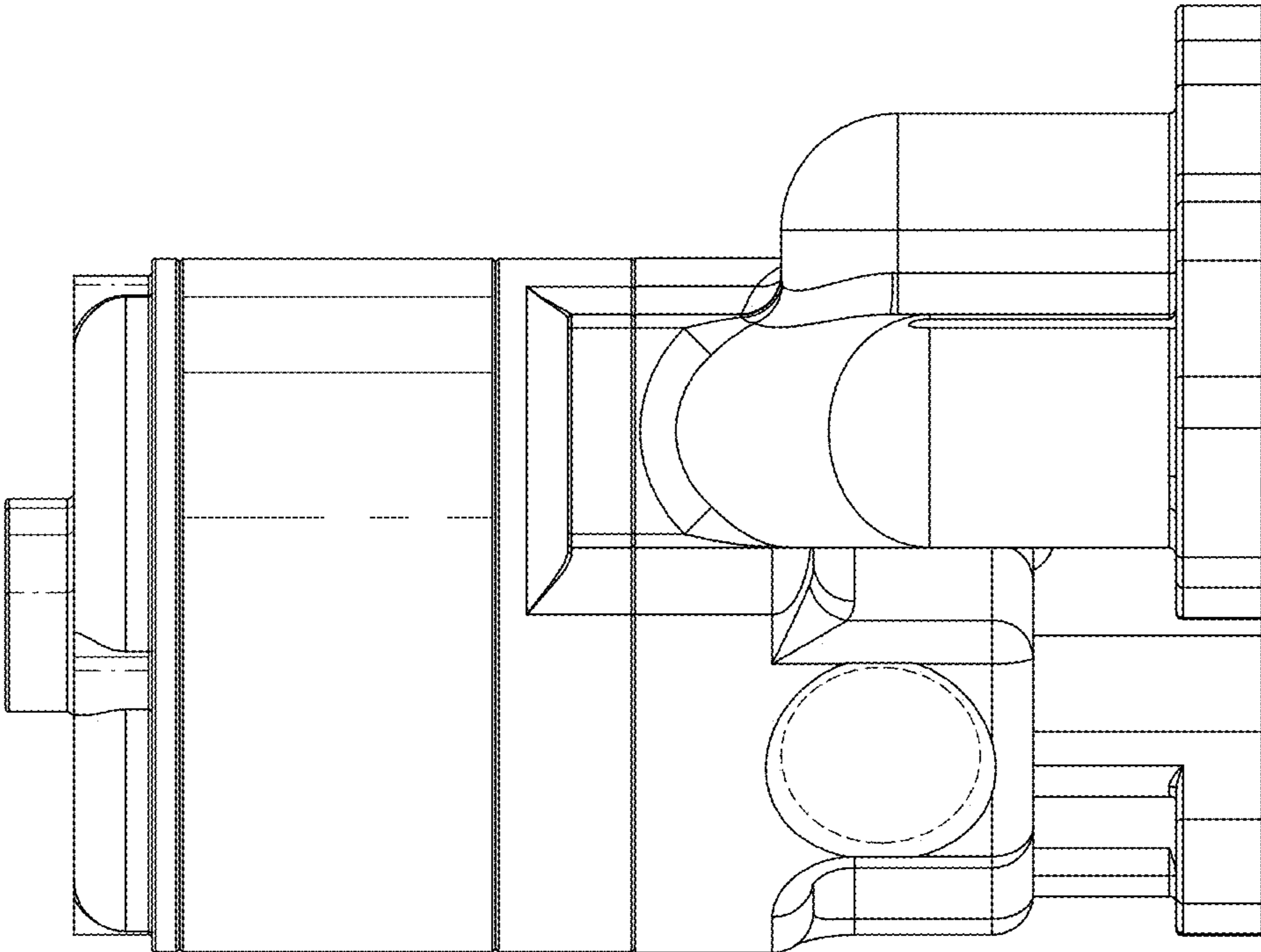


FIG. 5

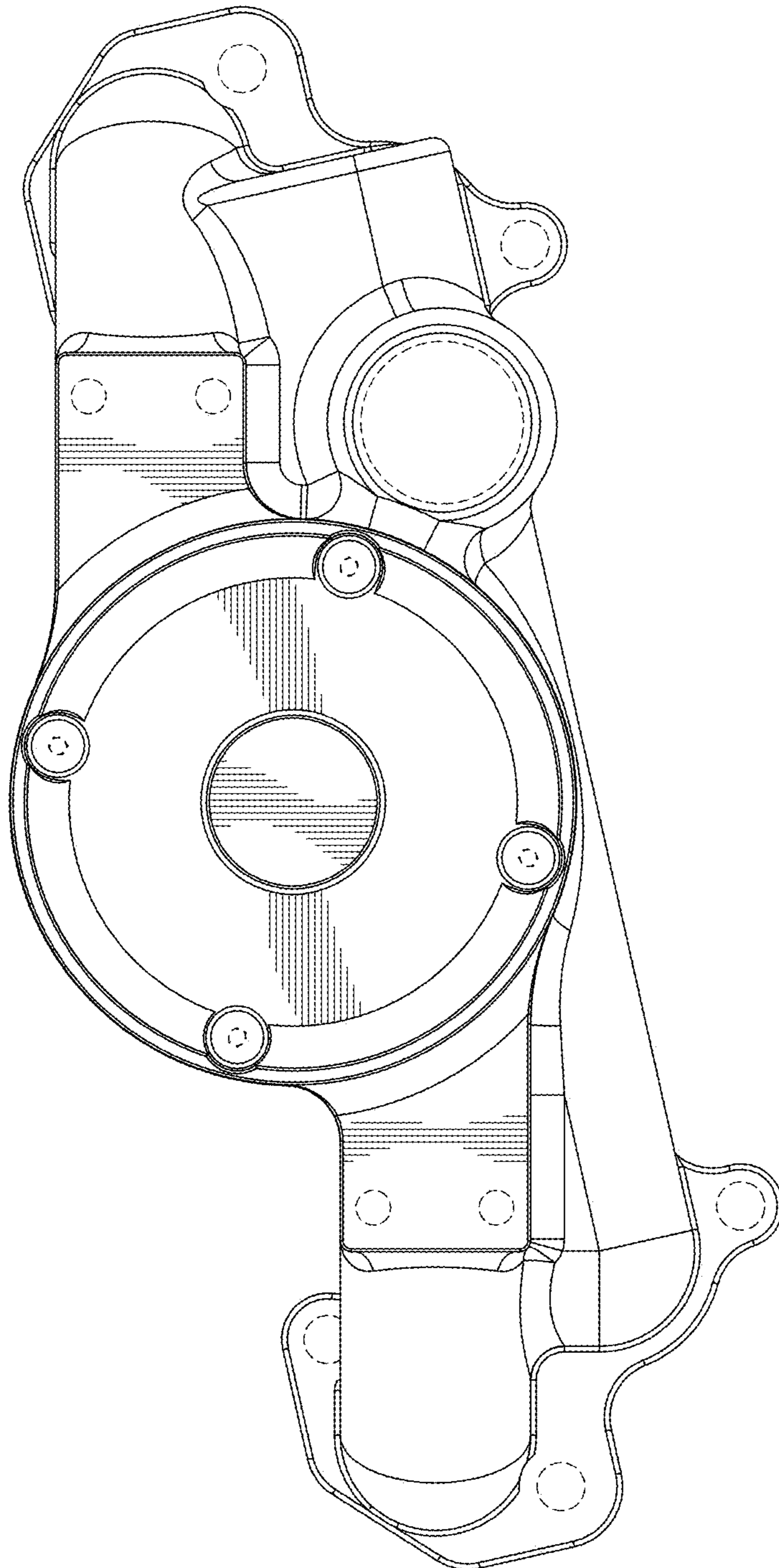


FIG. 7



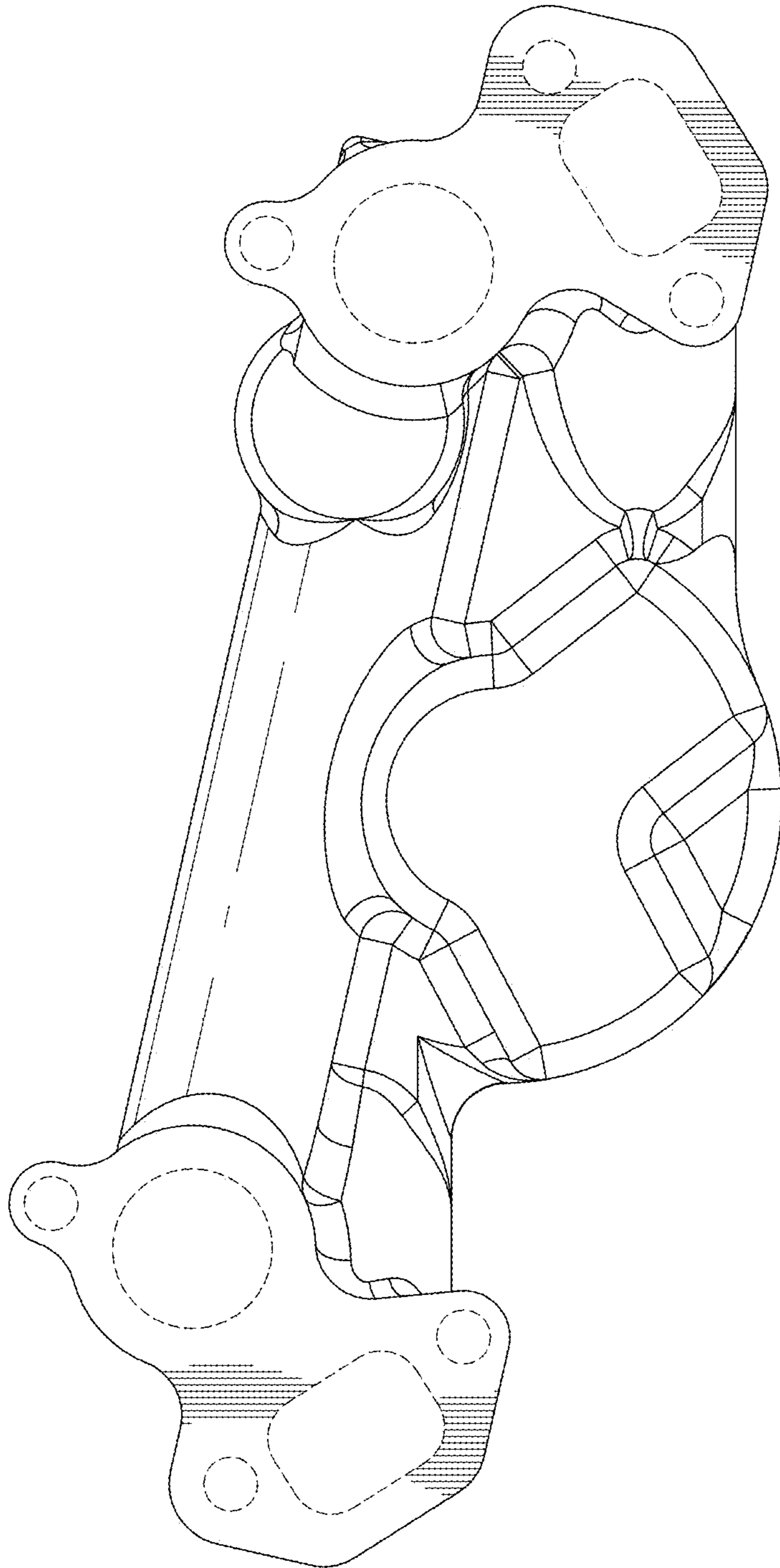


FIG. 8