



US00D946627S

(12) **United States Design Patent** (10) **Patent No.:** **US D946,627 S**  
**Wang et al.** (45) **Date of Patent:** **\*\* Mar. 22, 2022**

(54) **ELECTRICAL WATER PUMP**  
(71) Applicant: **FORCOME (QINGDAO) CO., LTD.**,  
Qingdao (CN)  
(72) Inventors: **Gang Wang**, Qingdao (CN); **Yandi Wang**,  
Qingdao (CN)  
(73) Assignee: **FORCOME (QINGDAO) CO., LTD.**,  
Shandong (CN)

D677,701 S \* 3/2013 Moysi ..... D15/7  
D700,213 S \* 2/2014 Taniguchi ..... D15/7  
D700,214 S \* 2/2014 Taniguchi ..... D15/7  
D700,624 S \* 3/2014 Taniguchi ..... D15/7  
D809,021 S \* 1/2018 Luke ..... D15/7  
D886,871 S \* 6/2020 Wang ..... D15/7  
D893,552 S \* 8/2020 Mayleben ..... D15/7  
2013/0089420 A1 \* 4/2013 Henning ..... F04D 29/126  
415/230

(\*\*) Term: **15 Years**  
(21) Appl. No.: **29/743,109**  
(22) Filed: **Jul. 18, 2020**

(30) **Foreign Application Priority Data**  
Jul. 9, 2020 (CN) ..... 202030368318.1  
(51) **LOC (13) Cl.** ..... **15-02**  
(52) **U.S. Cl.**  
USPC ..... **D15/7**  
(58) **Field of Classification Search**  
USPC ..... D23/206, 213, 214, 225, 231, 232, 387,  
D23/421; D15/7-9.1, 21, 199  
CPC ..... F04D 15/0088; F04D 15/0066; F04D  
15/0245; F04D 3/00; F04D 3/005; F04D  
3/02; F04D 13/06; F04D 29/041; F04D  
29/22; F04D 29/60; F04D 29/605; F04B  
2203/0208; F04B 17/03; F04B 17/046;  
F04B 17/048; F04B 35/04; F04B 43/04;  
F04B 43/043

See application file for complete search history.

(56) **References Cited**  
U.S. PATENT DOCUMENTS  
D395,317 S \* 6/1998 Karlsson ..... D15/7  
D482,699 S \* 11/2003 Graf ..... D15/7  
D491,957 S \* 6/2004 Fang ..... D15/7  
D590,420 S \* 4/2009 Casalini ..... D15/7

**OTHER PUBLICATIONS**

Varo, Submersible pump 400w ss POWEW67912, (site visited Aug. 26, 2021), VARO.com website, URL:<<https://www.varo.com/p/powew67912/article>> (Year: 2021).\*  
Dekopro, Sump Pump 1HP 3302GPH 750W Submersible Clean/Dirty Water Pump, (first available date Jun. 28, 2020), Amazon.com, URL:<<https://www.amazon.com/dp/B08BYJDFWD/>> (Year: 2020).\*  
Wayne Water Systems, VIP50 1/2 HP Thermoplastic Portable Electric Water Removal Pump, (first available date Dec. 15, 2005), Amazon.com, URL:<<https://www.amazon.com/Wayne-VIP50-Thermoplastic-Portable-Electric/dp/B000CQ6CU4/>> (Year: 2005).\*

\* cited by examiner

*Primary Examiner* — Calvin E Vansant  
*Assistant Examiner* — Mark T. Philipps  
(74) *Attorney, Agent, or Firm* — SZDC Law P.C.

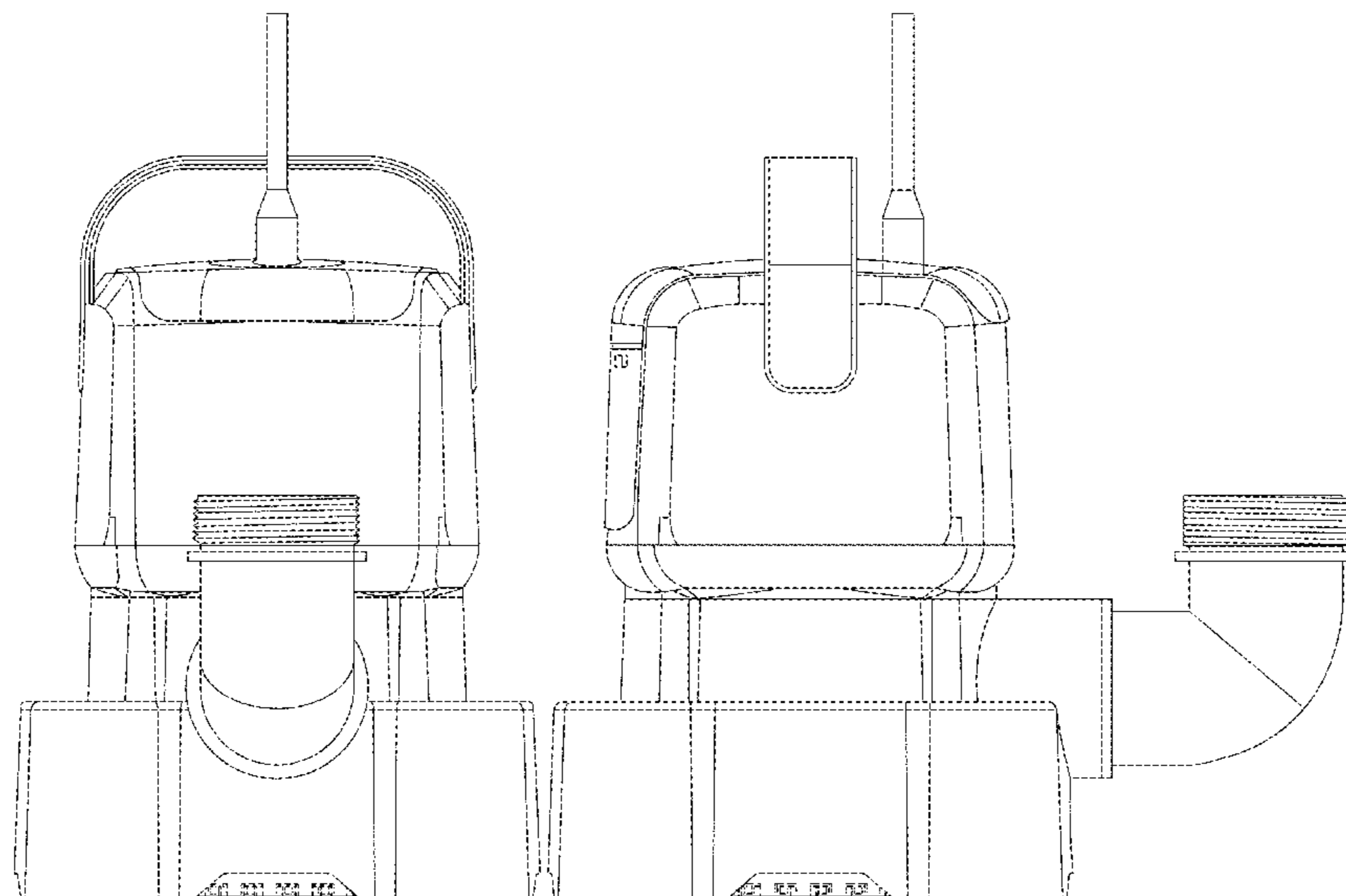
(57) **CLAIM**

The ornamental design for an electric water pump, as shown and described.

**DESCRIPTION**

FIG. 1 is a front view of the electric water pump;  
FIG. 2 is a back view thereof;  
FIG. 3 is a left view thereof;  
FIG. 4 is a right view thereof;  
FIG. 5 is a top view thereof; and,  
FIG. 6 is a bottom view thereof.

**1 Claim, 6 Drawing Sheets**



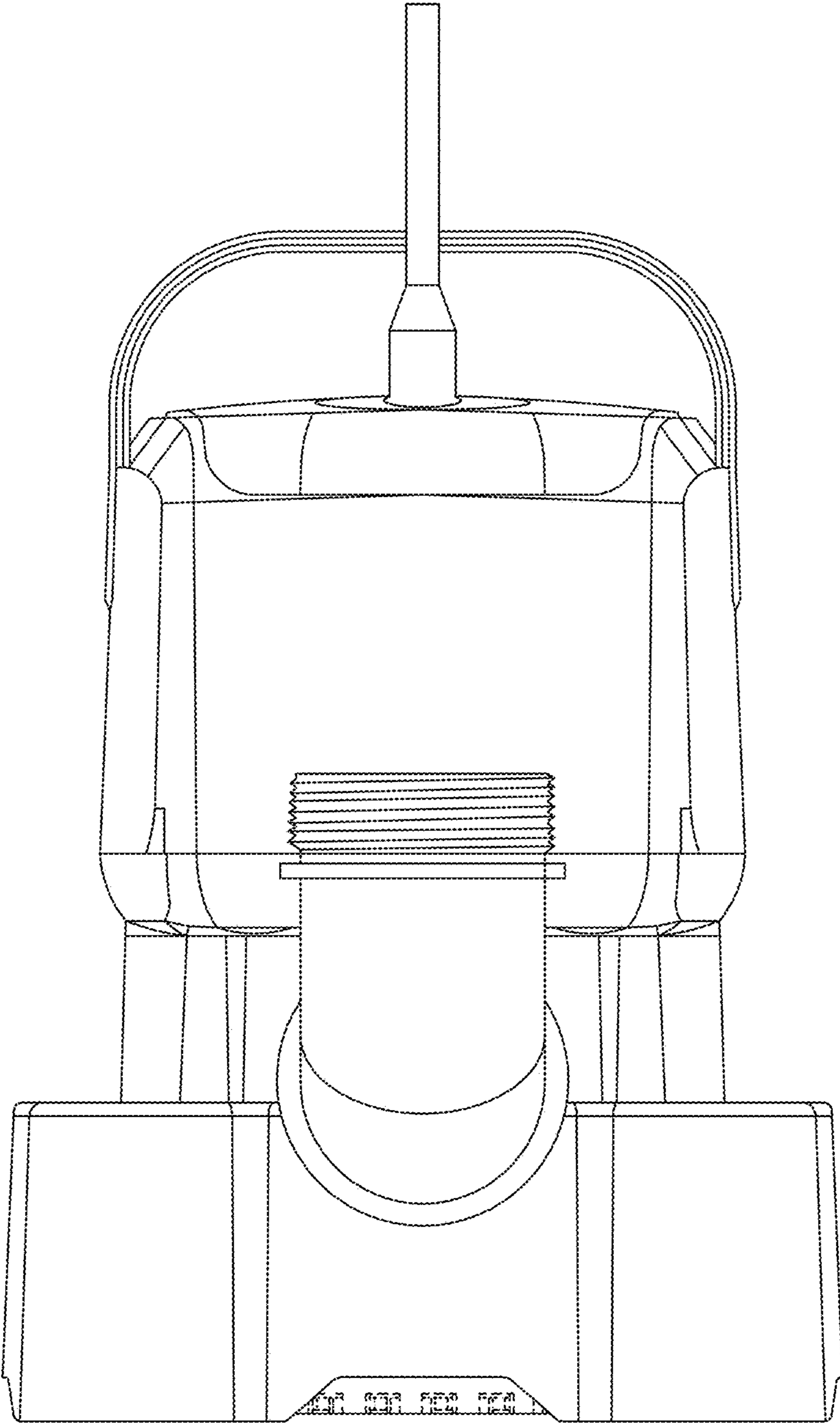
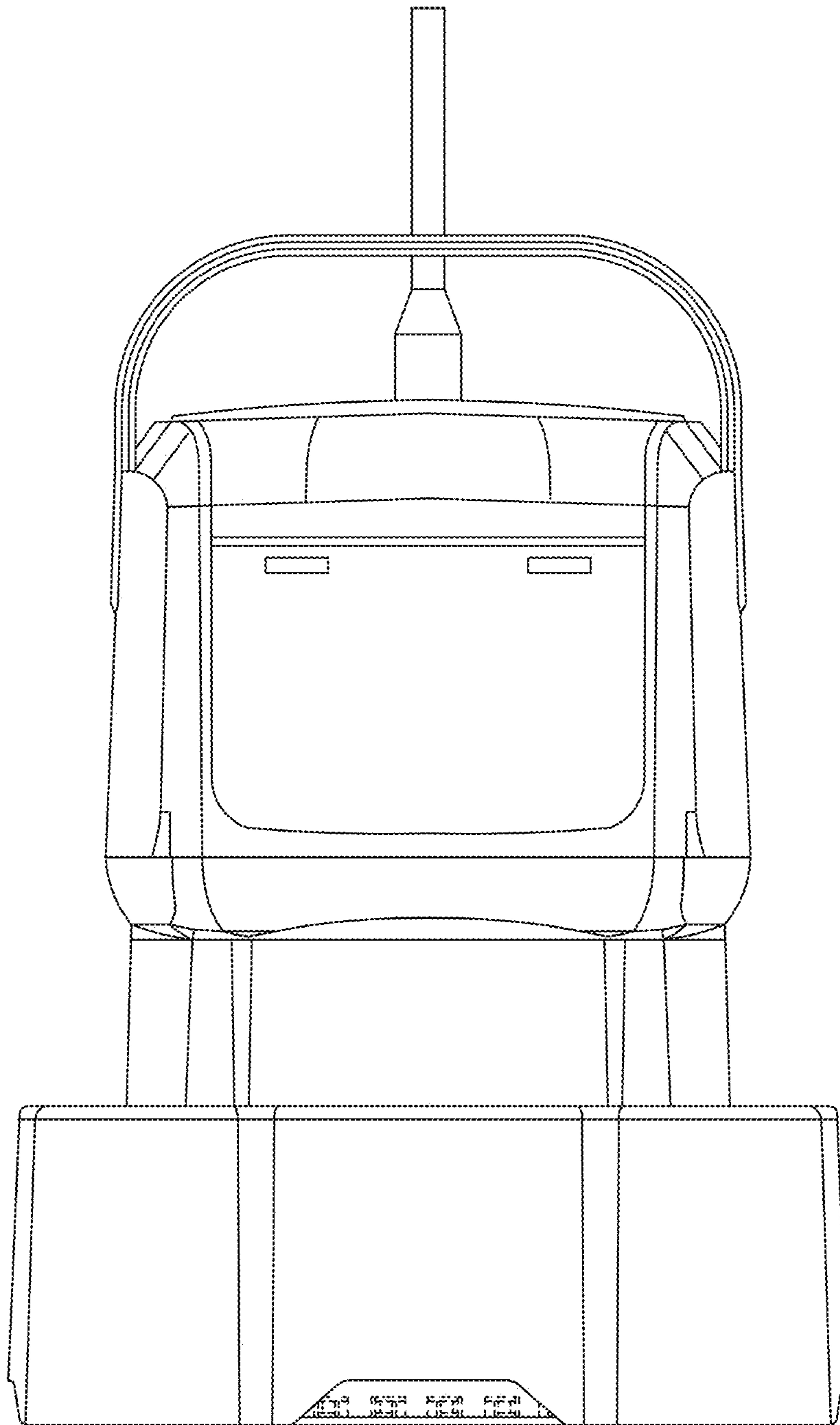


FIG. 1



**FIG. 2**

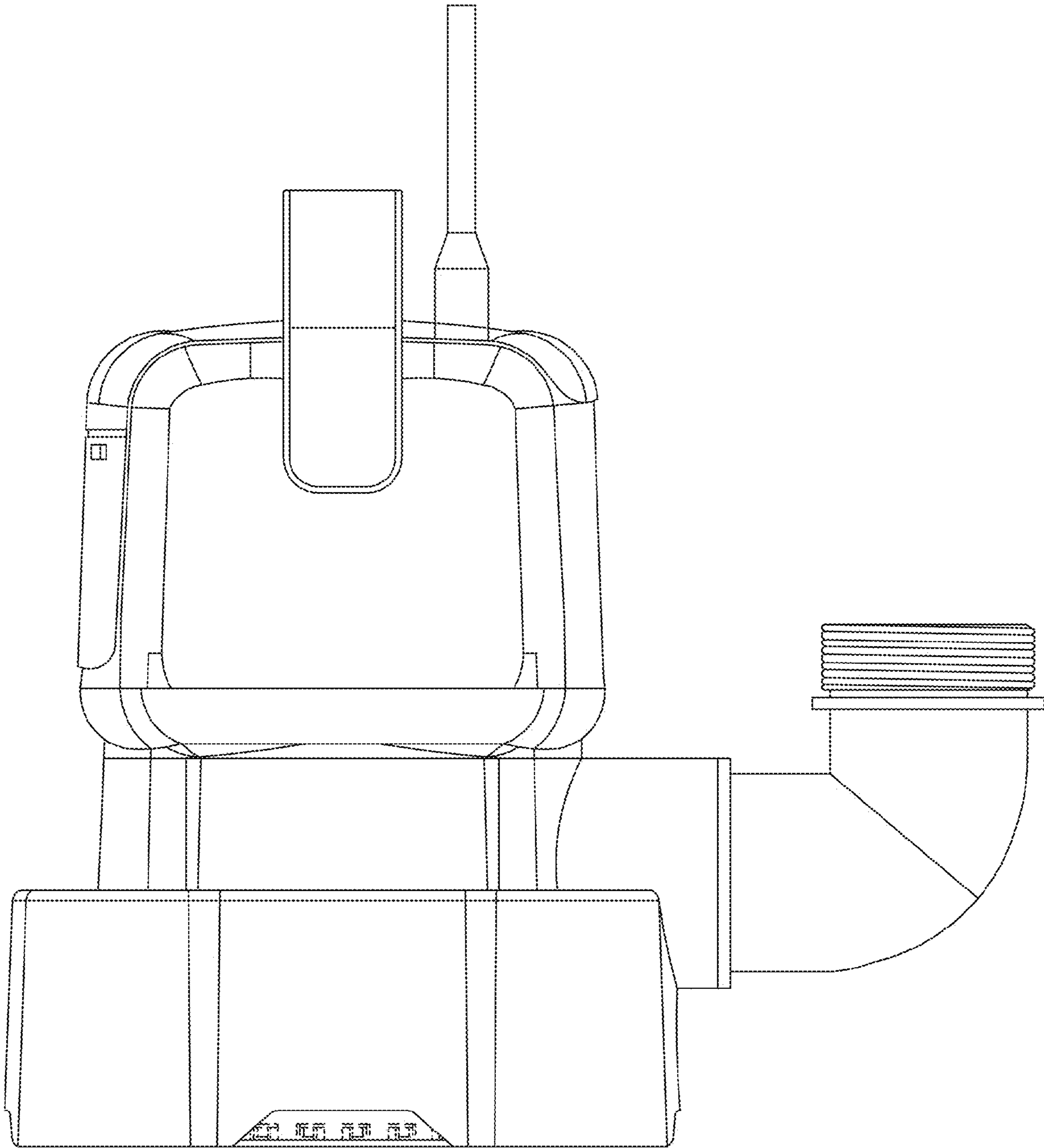


FIG. 3

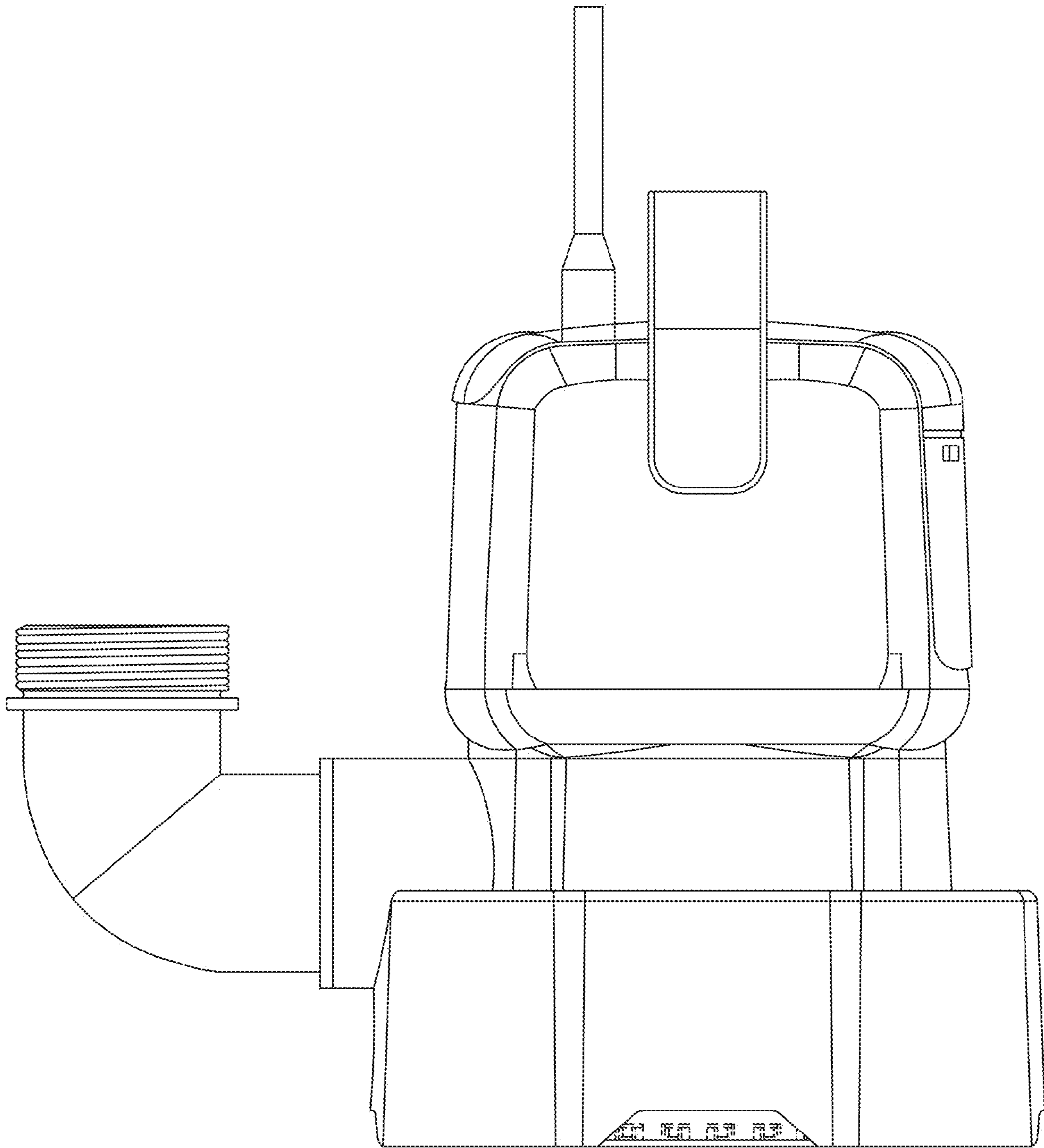


FIG. 4

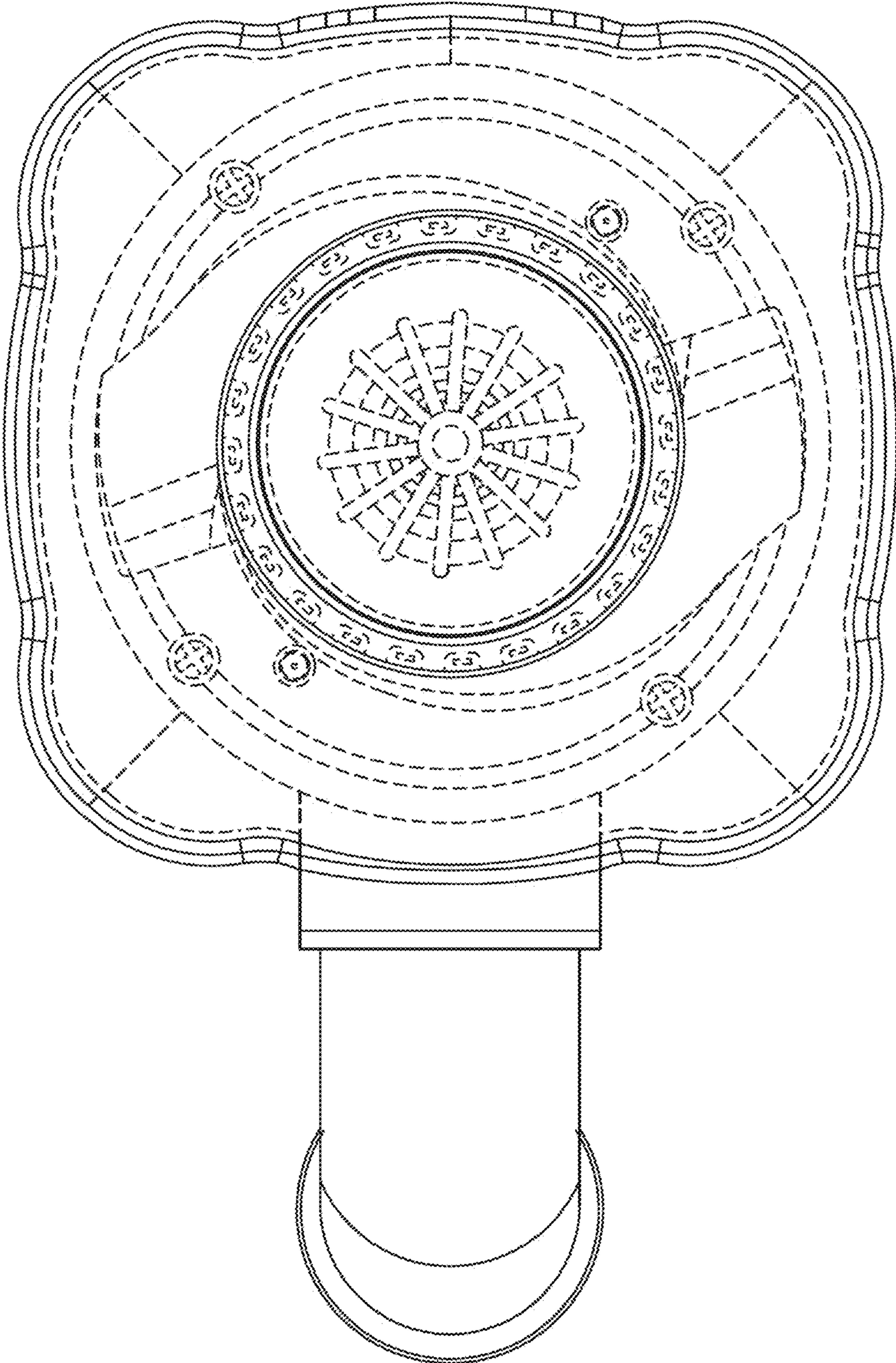
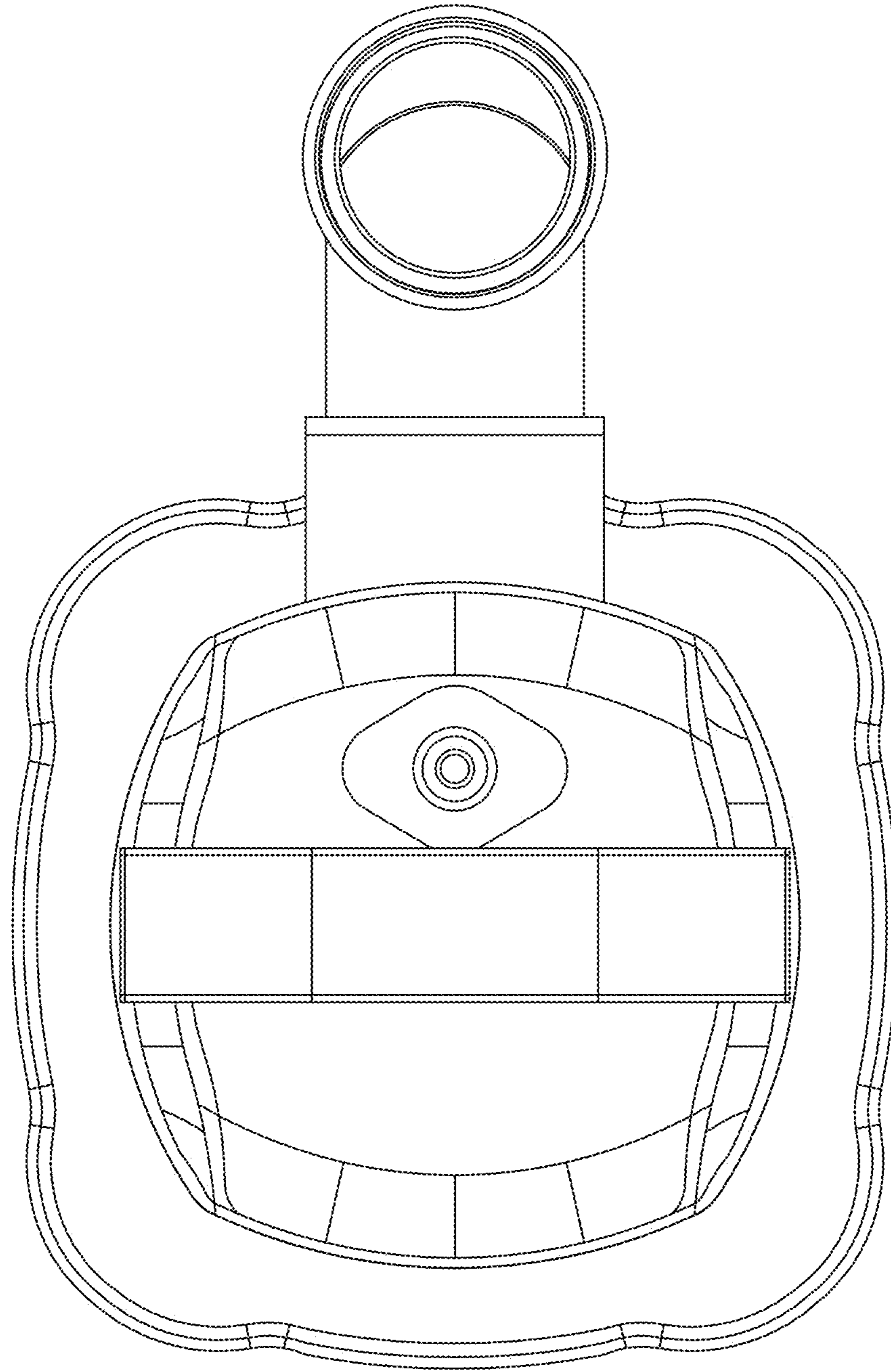


FIG. 5



*FIG. 6*