



US00D946626S

(12) **United States Design Patent**
Shibukawa et al.

(10) **Patent No.:** **US D946,626 S**
(45) **Date of Patent:** **** Mar. 22, 2022**

(54) **PUMP**

(71) Applicant: **NITTO KOHKI CO., LTD.**, Tokyo (JP)

(72) Inventors: **Katsuhiko Shibukawa**, Tokyo (JP); **Hiroto Sakurai**, Tokyo (JP); **Hiroshi Nishitsuji**, Tokyo (JP); **Kazushige Nishi**, Tokyo (JP)

(73) Assignee: **NITTO KOHKI CO., LTD.**, Tokyo (JP)

(**) Term: **15 Years**

(21) Appl. No.: **29/738,340**

(22) Filed: **Jun. 17, 2020**

(30) **Foreign Application Priority Data**

Jan. 20, 2020 (JP) 2020-000855

(51) **LOC (13) Cl.** **15-02**

(52) **U.S. Cl.**
USPC **D15/7**

(58) **Field of Classification Search**
USPC D15/7-9; D23/225, 231, 232, 356, 366; D12/114
CPC F04B 53/14; F04B 53/92; F04B 33/00; F04B 33/005; F04B 1/005; F04B 39/102; F04D 13/06; F04D 29/60; F04D 29/22; F04D 29/046; F04D 29/2266; F16K 11/048; F16K 15/20; F16K 31/602; F16L 37/18; F16L 37/20; F16L 25/00; B23P 11/00

See application file for complete search history.

(56) **References Cited**

U.S. PATENT DOCUMENTS

D165,727 S * 1/1952 Zimmer, Jr. D15/7
D377,967 S * 2/1997 Rozek D15/9

D379,996 S * 6/1997 Leu D15/9
D381,340 S * 7/1997 Takenaka D15/9
D381,993 S * 8/1997 Takenaka D15/9
D382,883 S * 8/1997 Breitzman D15/9
D486,835 S * 2/2004 Hsiao D15/9
D532,796 S * 11/2006 Leu D15/9
D681,679 S * 5/2013 Osaka D15/7
D684,999 S * 6/2013 Osaka D15/7
10,578,086 B2 * 3/2020 Ventrapragada F04B 39/121
D903,717 S * 12/2020 Schaefer D15/7

(Continued)

OTHER PUBLICATIONS

Nitto Kohki, Model DP0410T-Y1, (site visited Sep. 11, 2021), Nittokihki.com website, URL: <https://www.nittokohki.com/pumps/assets/common/product-cat-pdf/products/DC_AirCompressors/DP0410T.pdf> (Year: 2021).*

(Continued)

Primary Examiner — Calvin E Vansant

Assistant Examiner — Mark T. Philipps

(74) *Attorney, Agent, or Firm* — Burriss Law, PLLC

(57) **CLAIM**

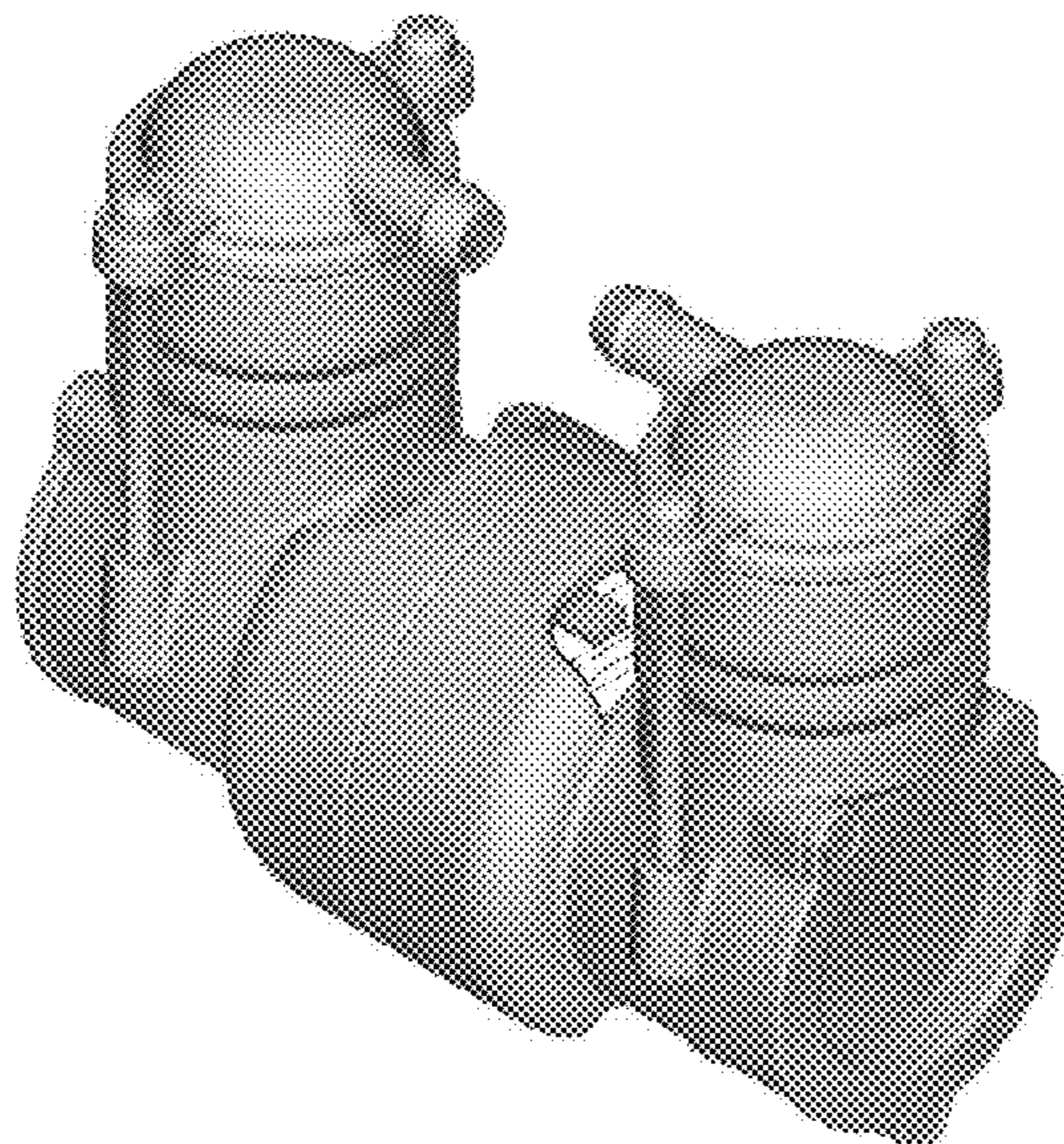
The ornamental design for a pump, as shown and described.

DESCRIPTION

FIG. 1 is a top front perspective view of the pump;
FIG. 2 is a front view thereof;
FIG. 3 is a rear view thereof;
FIG. 4 is a top view thereof;
FIG. 5 is a bottom view thereof;
FIG. 6 is a left side view thereof; and,
FIG. 7 is a right side view thereof.

Light and shade expressed on the surface in each view are for specifying the shape of the surface. The broken lines are included for the purpose of illustrating environmental structure and form no part of the claimed design.

1 Claim, 4 Drawing Sheets



(56)

References Cited

U.S. PATENT DOCUMENTS

2018/0291890 A1* 10/2018 Suppiger F04B 53/14
2021/0277887 A1* 9/2021 Kaiya F04B 53/003

OTHER PUBLICATIONS

Ek Danta Refiners, Single Phase Double Head vaccum Diaphragm Pump, For Automotive, (site visited Sep. 11, 2021), IndiaMart.com, URL:<<https://www.indiamart.com/proddetail/double-head-vaccum-diaphragm-pump-23635065588.html>> (Year: 2021).*

* cited by examiner

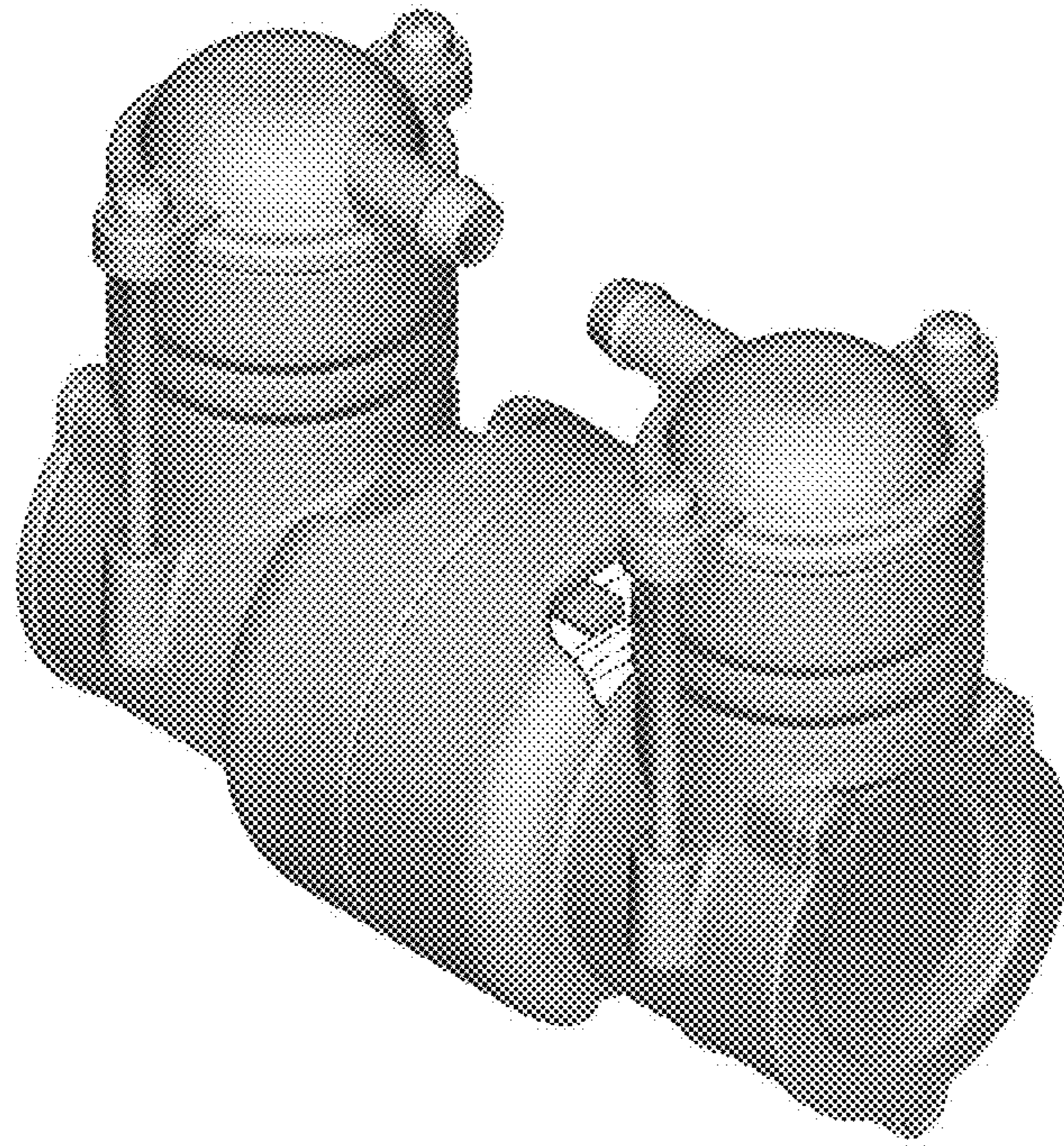


FIG. 1

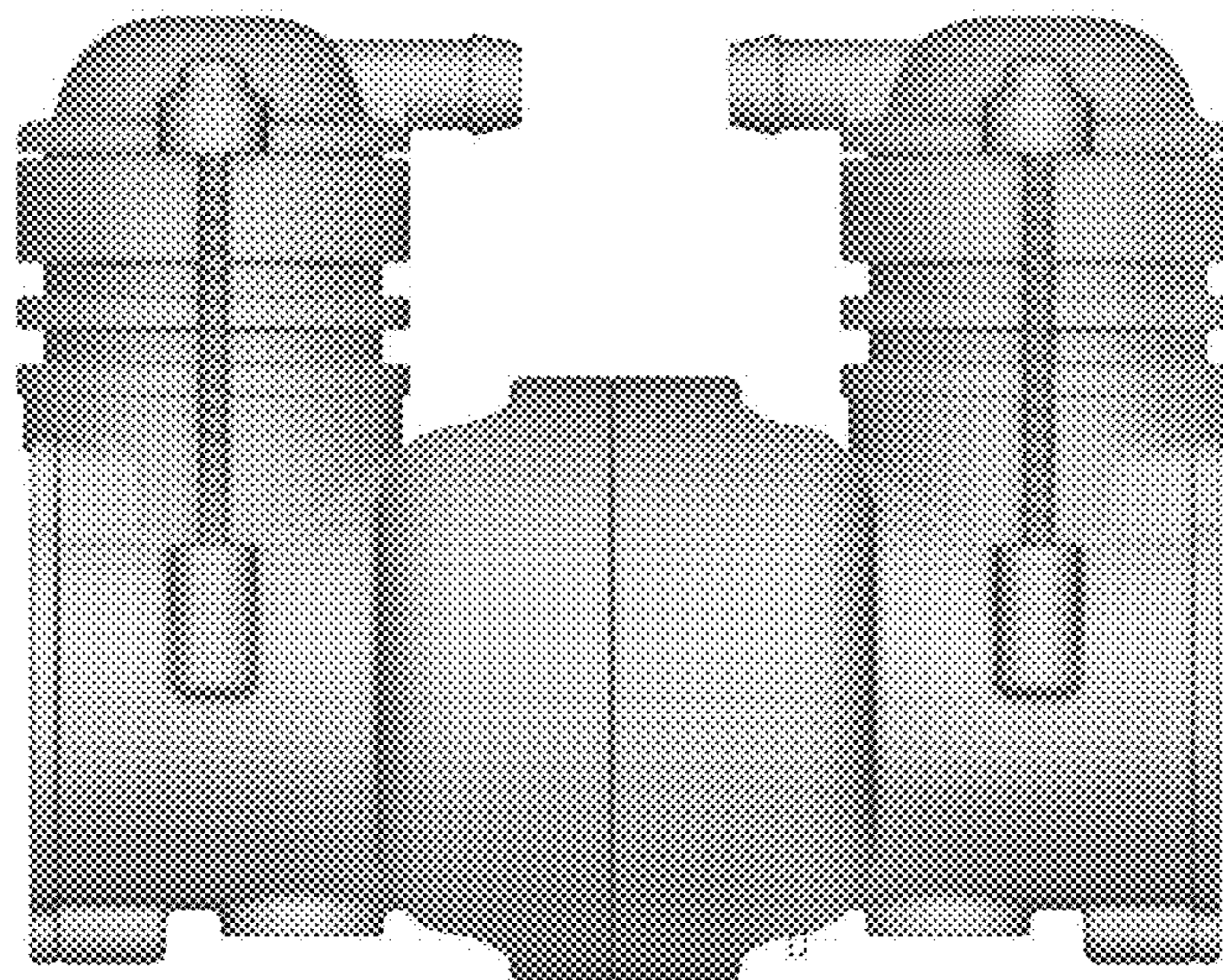


FIG. 2

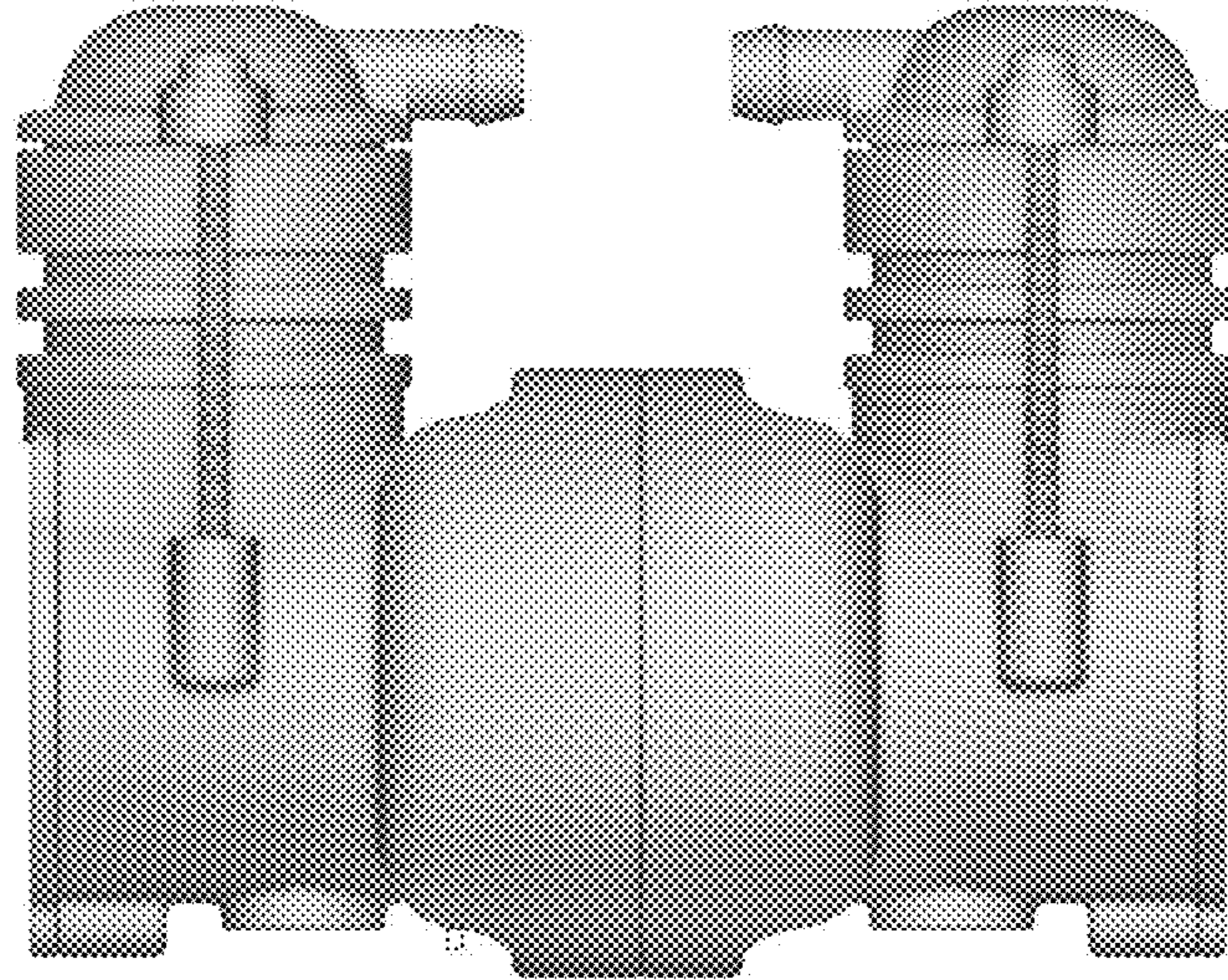


FIG. 3

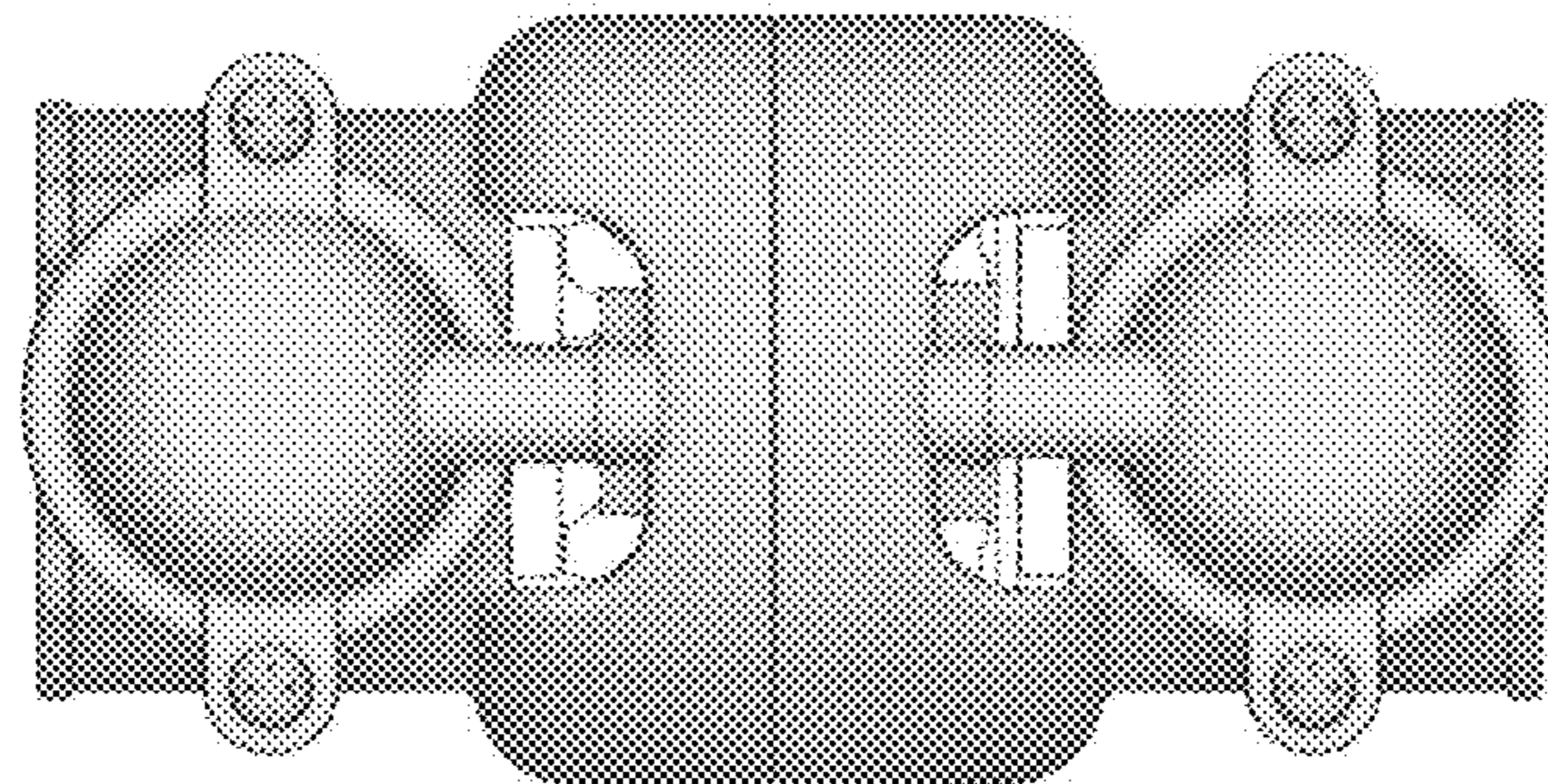


FIG. 4

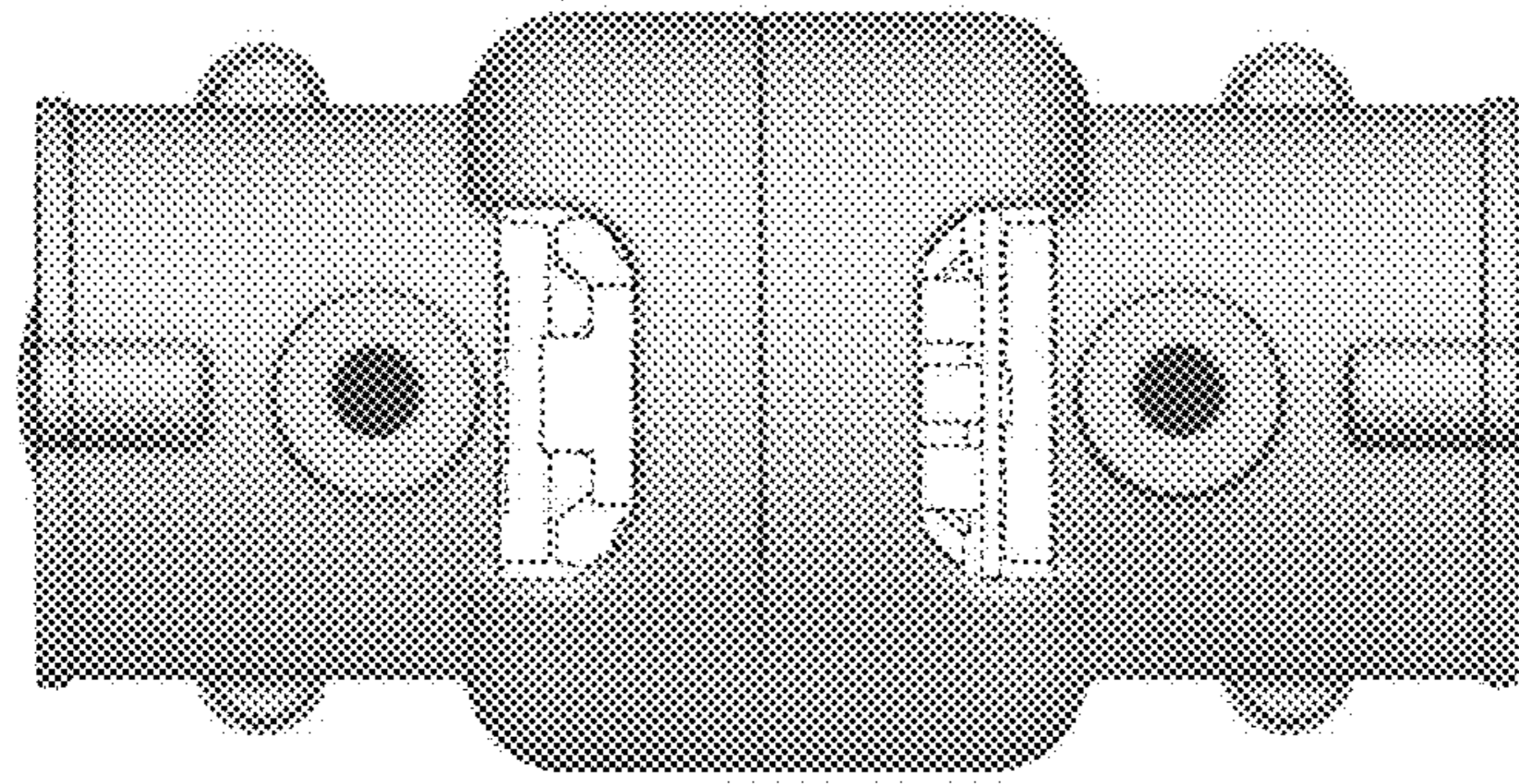


FIG. 5

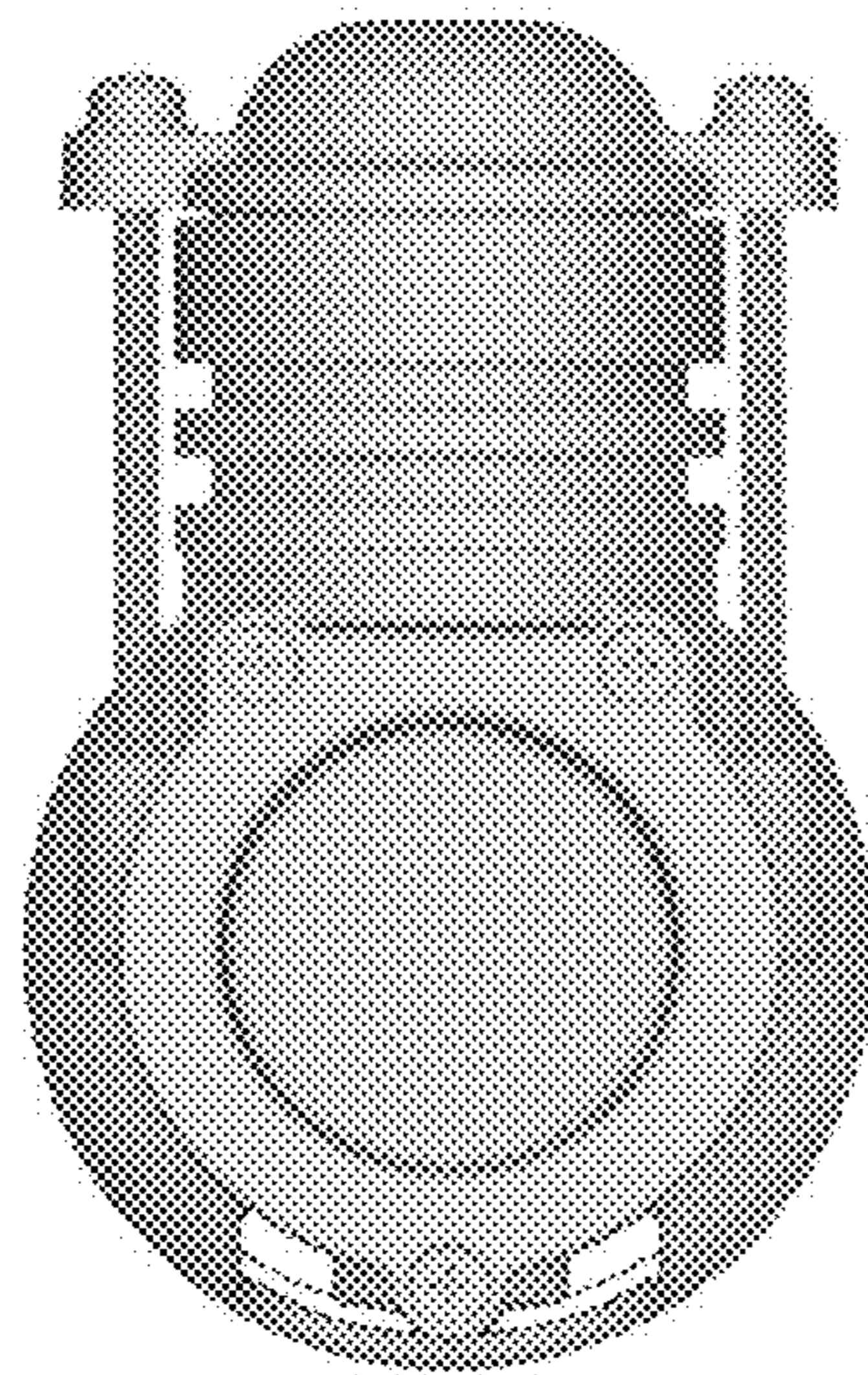


FIG. 6

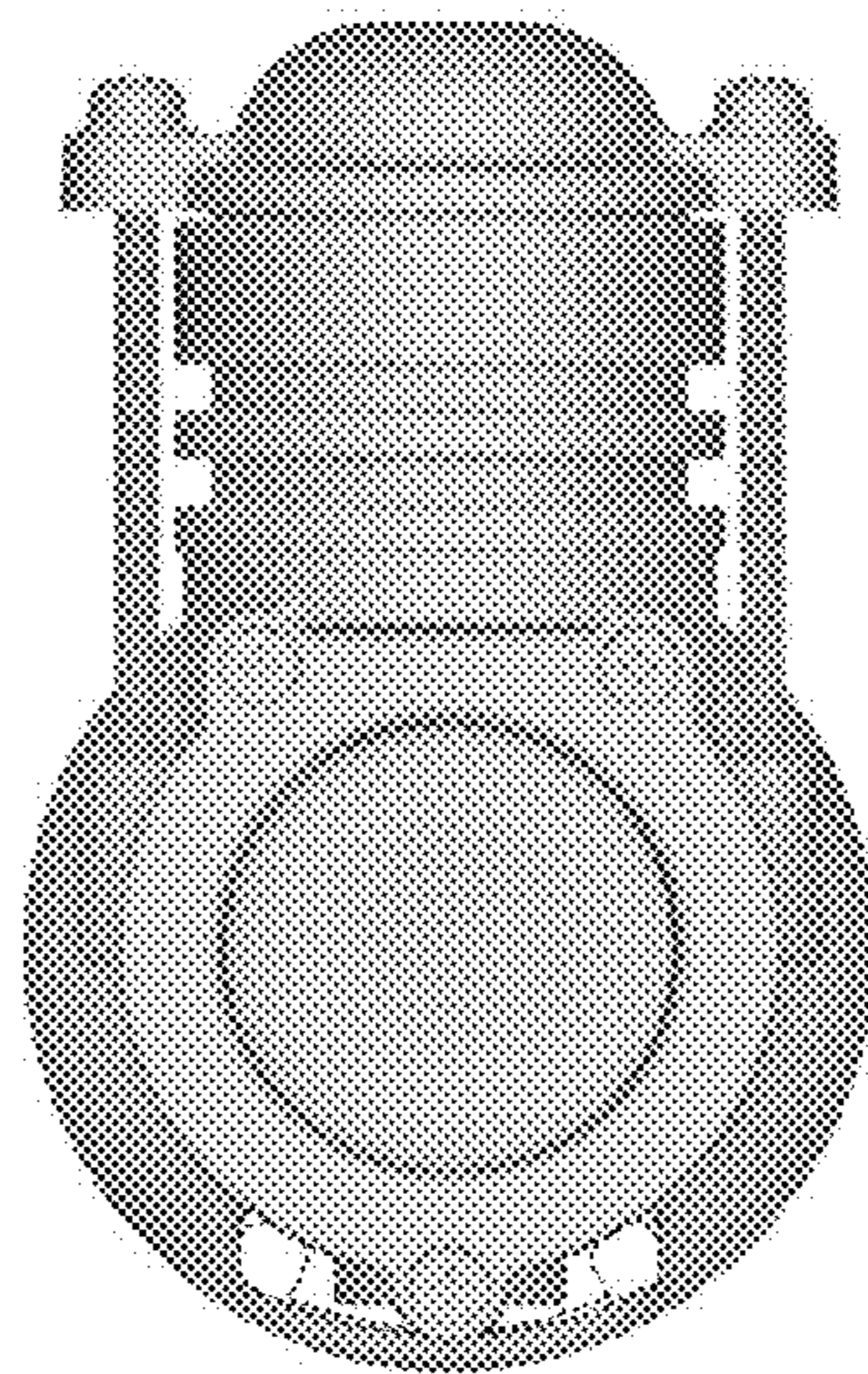


FIG. 7