

US00D946625S

(12) **United States Design Patent**
Lemberg

(10) **Patent No.:** **US D946,625 S**
(45) **Date of Patent:** **** Mar. 22, 2022**

(54) **DISPLAY SCREEN OR PORTION THEREOF WITH A TRANSITIONAL GRAPHICAL USER INTERFACE**

D780,803 S * 3/2017 Gill D14/489
D832,294 S * 10/2018 Wormer D14/486
D837,257 S * 1/2019 Wen D14/489

* cited by examiner

(71) Applicant: **Google LLC**, Mountain View, CA (US)

Primary Examiner — Rachel A. Voorhies

(72) Inventor: **Joseph Lemberg**, Menlo Park, CA (US)

(74) *Attorney, Agent, or Firm* — Leason Ellis LLP

(73) Assignee: **GOOGLE LLC**, Mountain View, CA (US)

(57) **CLAIM**

The ornamental design for a display screen or portion thereof with a transitional graphical user interface, as shown and described.

(**) Term: **15 Years**

DESCRIPTION

(21) Appl. No.: **29/708,741**

FIG. 1 is an enlarged front view of a first image in a sequence according to a first embodiment of my design for a display screen or portion thereof with a transitional graphical user interface;

(22) Filed: **Oct. 9, 2019**

FIG. 2 is an enlarged front view of a second image in the sequence thereof;

(51) **LOC (13) Cl.** **14-04**

(52) **U.S. Cl.**
USPC **D14/492**

(58) **Field of Classification Search**
USPC D14/485–495
CPC G06F 3/048; G06F 3/0481; G06F 3/04812;
G06F 3/04815; G06F 3/04817; G06F
3/0482; G06F 3/0483; G06F 3/0484;
G06F 3/044; G06F 3/0417

FIG. 3 is a front view of a first image in a sequence according to a second embodiment of my design for a display screen or portion thereof with a transitional graphical user interface; and,

FIG. 4 is a front view of a second image in the sequence thereof.

See application file for complete search history.

The appearance of the transitional image transitions between the images shown in FIGS. 1-2 and 3-4. The process or period in which one image transitions to another forms no part of the claimed design.

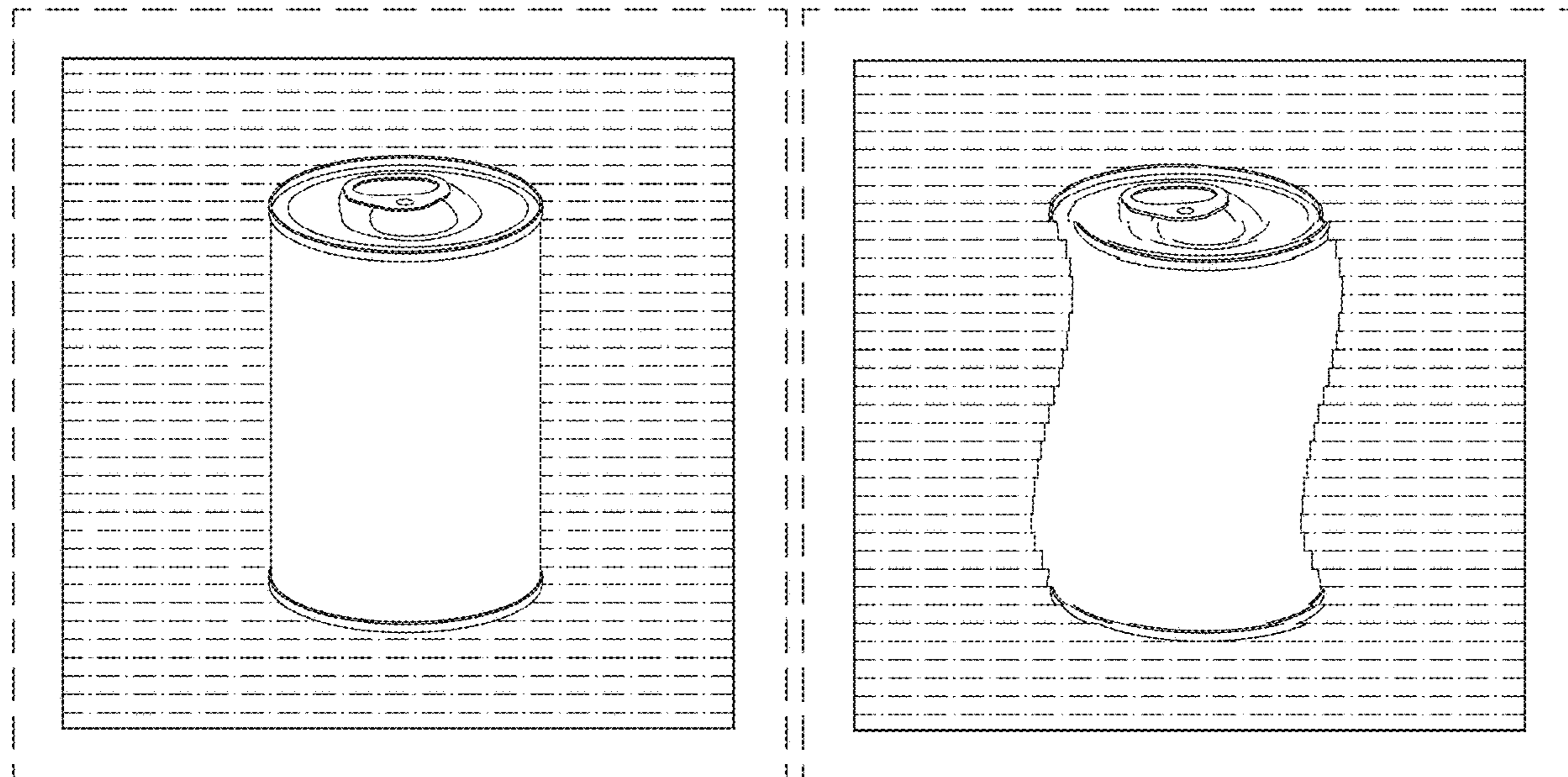
The long dash broken lines show an electronic device for the purpose of illustrating environmental structure and form no part of the claimed design. The dash-dot-dash broken lines show portions of the graphical user interface and form no part of the claimed design. The dash-dash broken lines show a display screen or portion thereof and form no part of the claimed design.

(56) **References Cited**

U.S. PATENT DOCUMENTS

D684,187 S * 6/2013 Ridl D14/491
D701,534 S * 3/2014 Jang D14/492
D709,096 S * 7/2014 Matas D14/492
D710,891 S * 8/2014 Hollobaugh D14/490
D711,913 S * 8/2014 Francisco D14/489
D737,320 S * 8/2015 McCormick D14/489
D741,368 S * 10/2015 Supino D14/490
D775,200 S * 12/2016 Maitlen D14/489

1 Claim, 4 Drawing Sheets



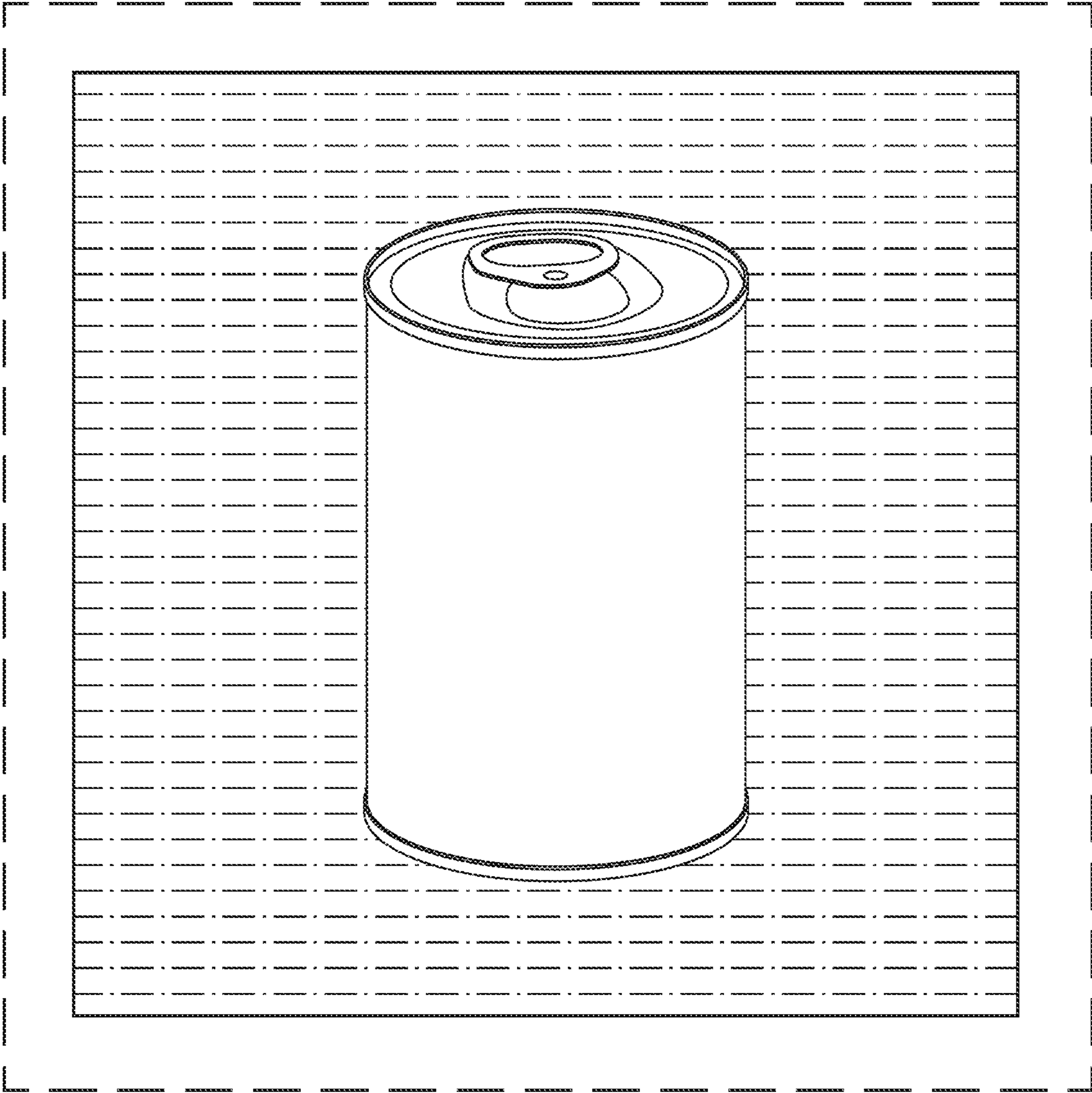


Fig. 1

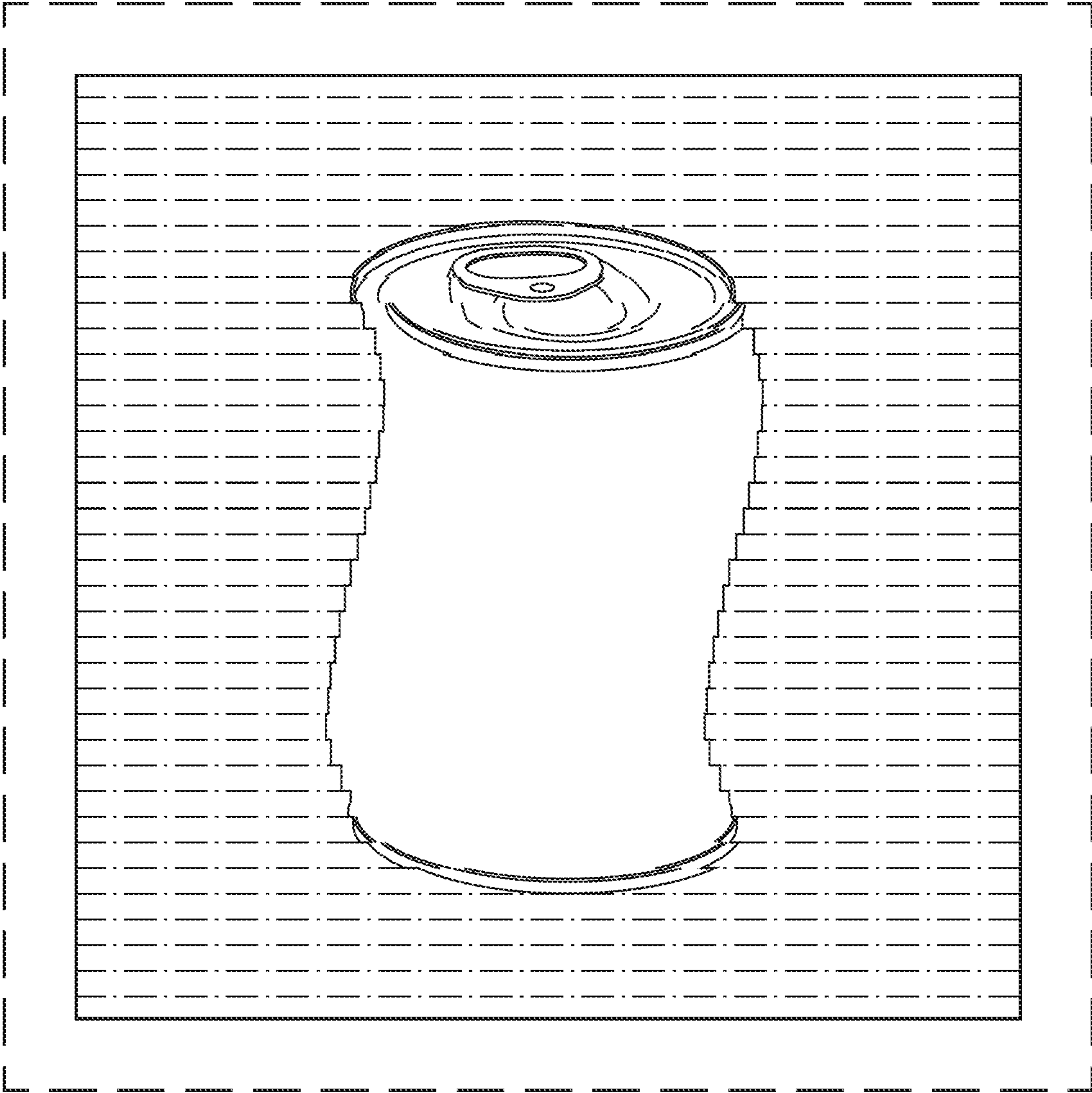


Fig. 2

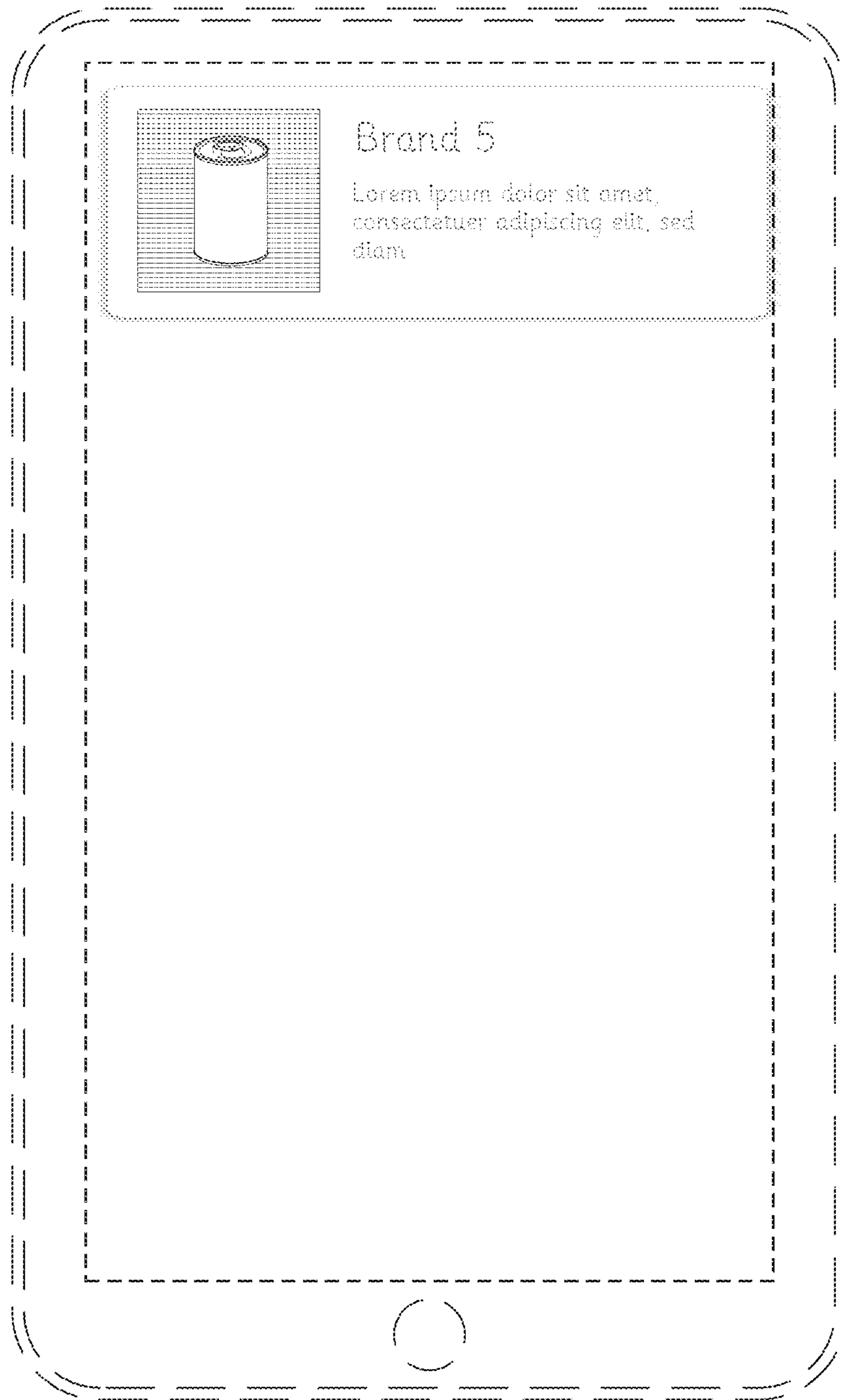


Fig. 3

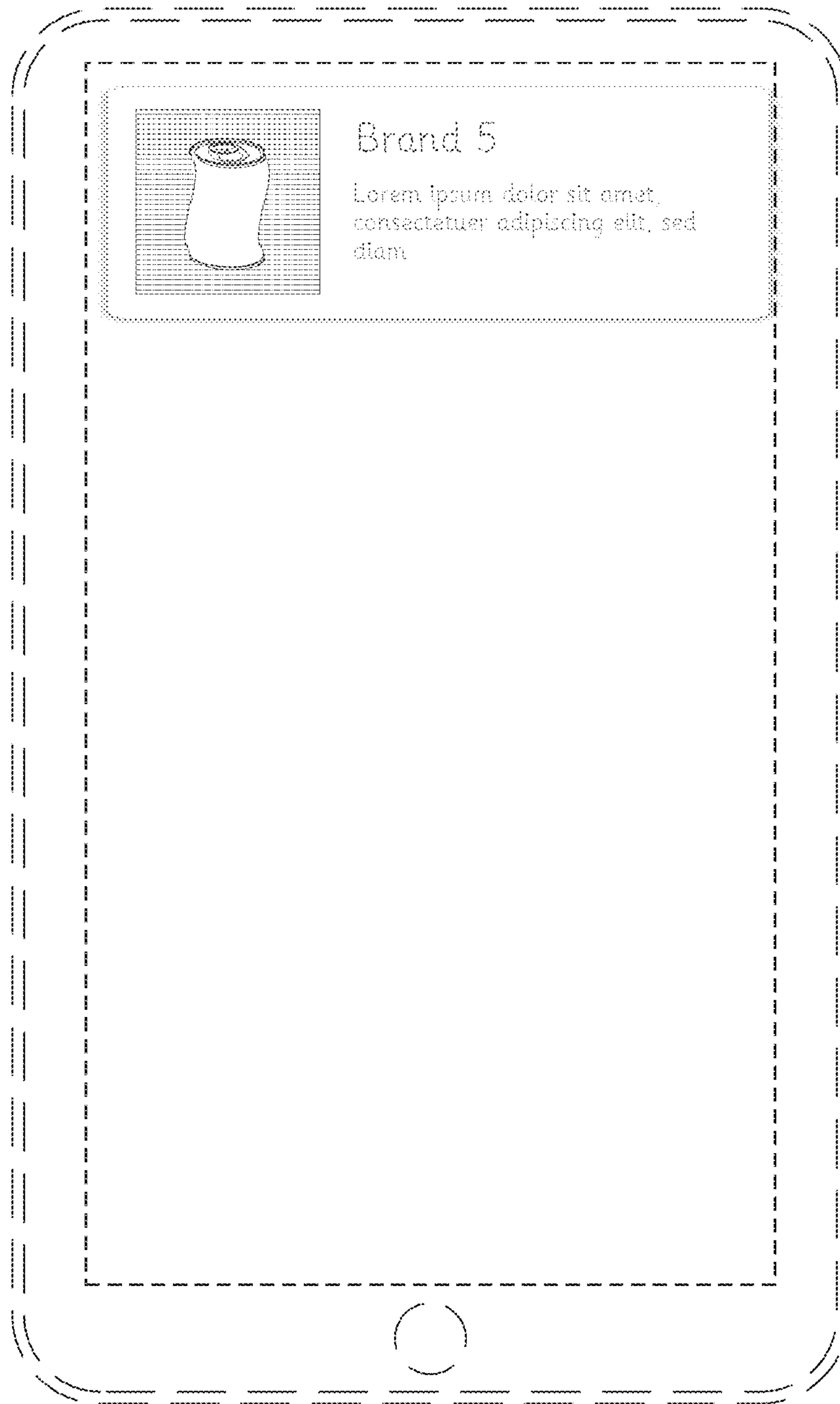


Fig. 4