

US00D946618S

(12) **United States Design Patent**
Suzuki et al.

(10) **Patent No.:** **US D946,618 S**
(45) **Date of Patent:** **** Mar. 22, 2022**

(54) **DISPLAY SCREEN OR PORTION THEREOF WITH ANIMATED GRAPHICAL USER INTERFACE**

(71) Applicant: **Mitsubishi Electric Corporation**, Tokyo (JP)
(72) Inventors: **Shuhei Suzuki**, Tokyo (JP); **Shinsaku Fukutaka**, Tokyo (JP); **Munetaka Nishihira**, Tokyo (JP); **Akiko Imaishi**, Tokyo (JP); **Misato Yuasa**, Tokyo (JP); **Tsuyoshi Sempuku**, Tokyo (JP)

(73) Assignee: **Mitsubishi Electric Corporation**, Tokyo (JP)

(**) Term: **15 Years**

(21) Appl. No.: **29/753,699**

(22) Filed: **Oct. 1, 2020**

(30) **Foreign Application Priority Data**

Apr. 1, 2020 (JP) 2020-006403 D

(51) **LOC (13) Cl.** **14-04**

(52) **U.S. Cl.**
USPC **D14/488**

(58) **Field of Classification Search**
USPC D14/485-95
CPC G06F 3/48; G06F 3/0481; G06F 3/04812; G06F 3/04815; G06F 3/04817; G06F 3/0482; G06F 3/0483; G06F 3/0484; G06F

(Continued)

(56) **References Cited**

U.S. PATENT DOCUMENTS

D557,272 S * 12/2007 Glaser D14/487
D563,977 S * 3/2008 Carl D14/488

(Continued)

OTHER PUBLICATIONS

Driving Test Tips Pass your driving test first time—Auckland, <https://www.alertdriving.co.nz/test-tips/eight-faults-for-parallel-parking> (Year: 2013).*

(Continued)

Primary Examiner — Melanie H Tung
Assistant Examiner — Darmawan Truong
(74) *Attorney, Agent, or Firm* — Studebaker & Brackett PC

(57) **CLAIM**

The ornamental design for a display screen or portion thereof with animated graphical user interface, as shown and described.

DESCRIPTION

FIG. 1. is a first image of a display screen or portion thereof with animated graphical user interface showing our new design;

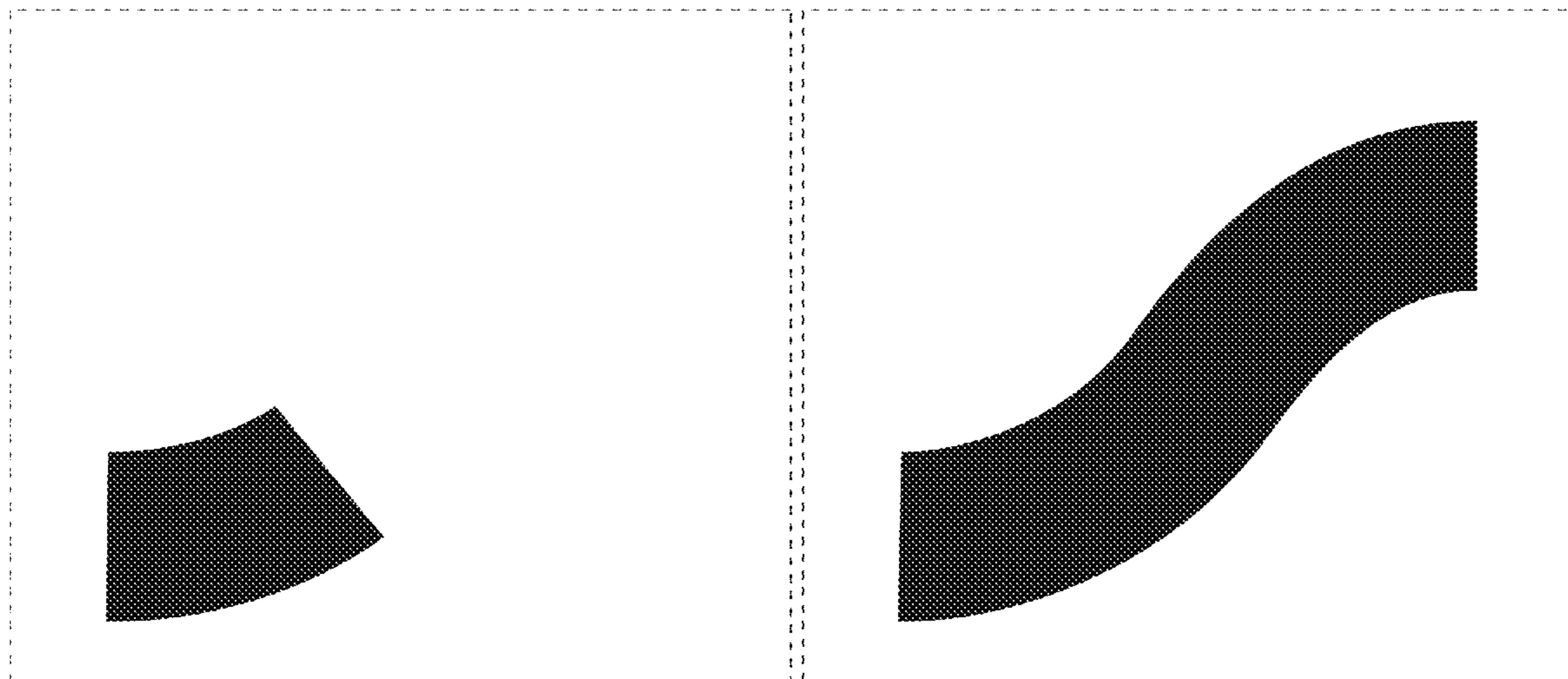
FIG. 2. is a second image thereof;
FIG. 3. is a third image thereof;
FIG. 4. is a fourth image thereof;
FIG. 5. is a fifth image thereof;
FIG. 6. is a sixth image thereof;
FIG. 7 is a first image of a second embodiment thereof;
FIG. 8 is a second image thereof;
FIG. 9 is a third image thereof;
FIG. 10 is a fourth image thereof;
FIG. 11 is a fifth image thereof; and,
FIG. 12 is a sixth image thereof.

The appearance of the animated image sequentially transitions between the images shown in FIGS. 1-6 and FIGS. 7-12.

The process or period in which one image transitions to another image forms no part of the claimed design.

The broken lines showing a display screen or portion thereof form no part of the claimed design. The remaining broken lines showing portions of the animated graphical user interface in FIGS. 7-12 form no part of the claimed design.

1 Claim, 12 Drawing Sheets



(58) **Field of Classification Search**

CPC 3/04842; G06F 3/04845; G06F 3/04847;
 G06F 3/0485; G06F 3/0486; G06F
 3/0487; G06F 3/0488; G06F 3/04883;
 G06F 3/04886

See application file for complete search history.

(56) **References Cited**

U.S. PATENT DOCUMENTS

D564,535 S * 3/2008 Sadler D14/487
 D575,795 S * 8/2008 Nathan D14/487
 D601,575 S * 10/2009 Arnell D14/488
 D638,028 S * 5/2011 Cook D14/488
 D658,203 S * 4/2012 Hally D14/488
 D683,750 S * 6/2013 Hally D14/488
 D703,690 S * 4/2014 MacCubbin D14/488
 D712,921 S * 9/2014 Pearson D14/488
 D732,571 S * 6/2015 Yamashita D14/488
 D739,872 S * 9/2015 Bang D14/488
 D741,898 S * 10/2015 Soegiono D14/488
 D744,526 S * 12/2015 Sanderson D14/488
 D746,856 S * 1/2016 Jiang D14/488
 D754,725 S * 4/2016 Butcher D14/488

D763,301 S * 8/2016 Murillo D14/488
 D765,132 S * 8/2016 Murillo D14/488
 D775,658 S * 1/2017 Luo D14/488
 D798,886 S * 10/2017 Prophete D14/485
 D858,542 S * 9/2019 Forrest D14/485
 D887,442 S * 6/2020 Sakata D14/489
 2012/0109516 A1* 5/2012 Miyazaki G09B 29/102
 701/428
 2016/0158975 A1* 6/2016 Suzuki B29C 70/12
 428/174
 2017/0203685 A1* 7/2017 Hirai B60Q 1/50
 2017/0259734 A1* 9/2017 Imaishi B60Q 1/525

OTHER PUBLICATIONS

How to change dimensions of existing rectangle—SketchUp, <https://forums.sketchup.com/t/how-to-change-dimensions-of-existing-rectangle/35768> (Year: 2016).*
 Introducing Vector Networks—Wallace, <https://medium.com/figma-design/introducing-vector-networks-3b877d2b864f> (Year: 2019).*
 Things of math and science—Matthen, <https://web.archive.org/web/20121002032646/https://blog.matthen.com/post/32466959995/when-a-circle-isdrawn-out-the-angle-the-curve> (Year: 2012).*

* cited by examiner

FIG. 1

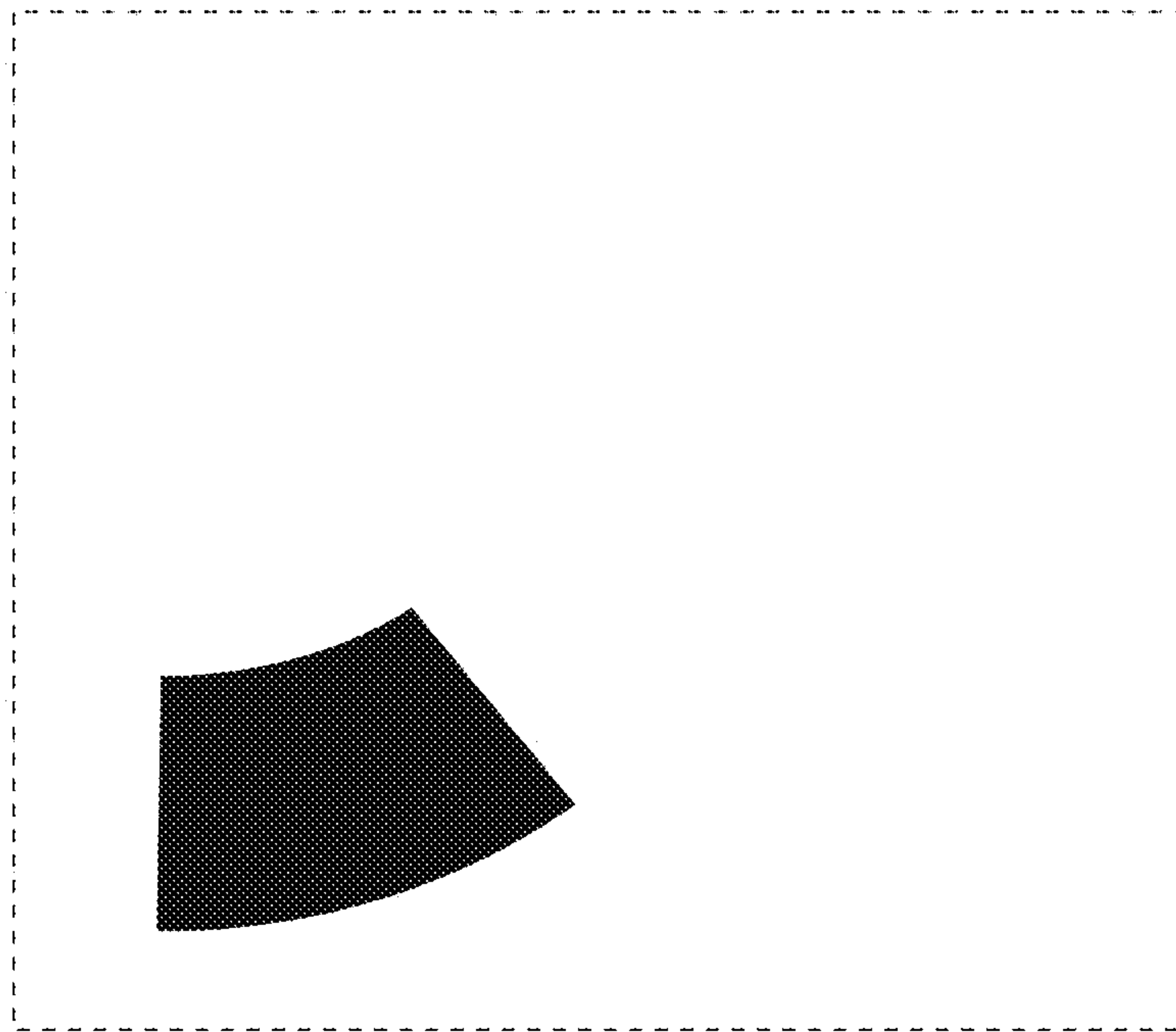


FIG. 2

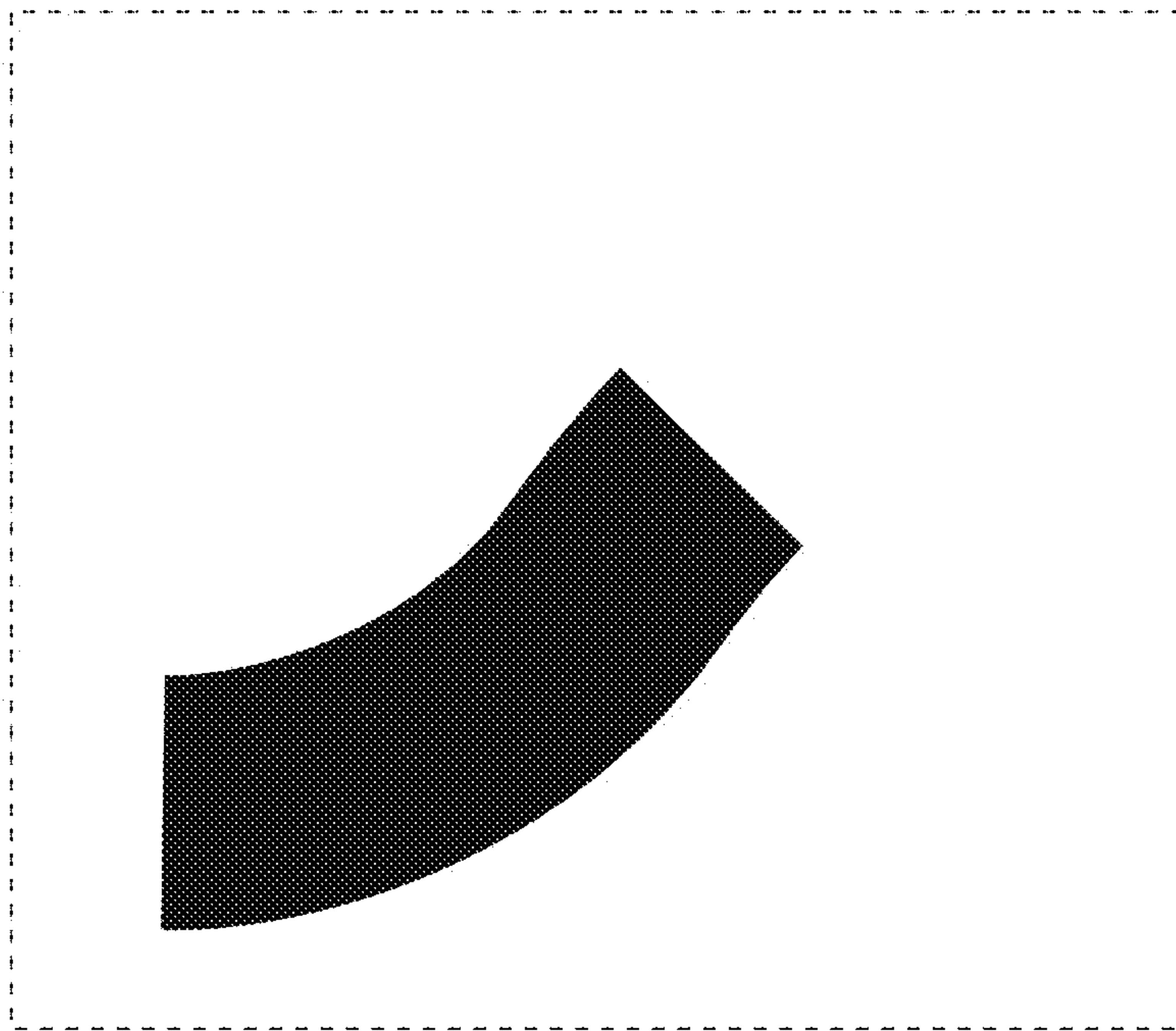


FIG. 3

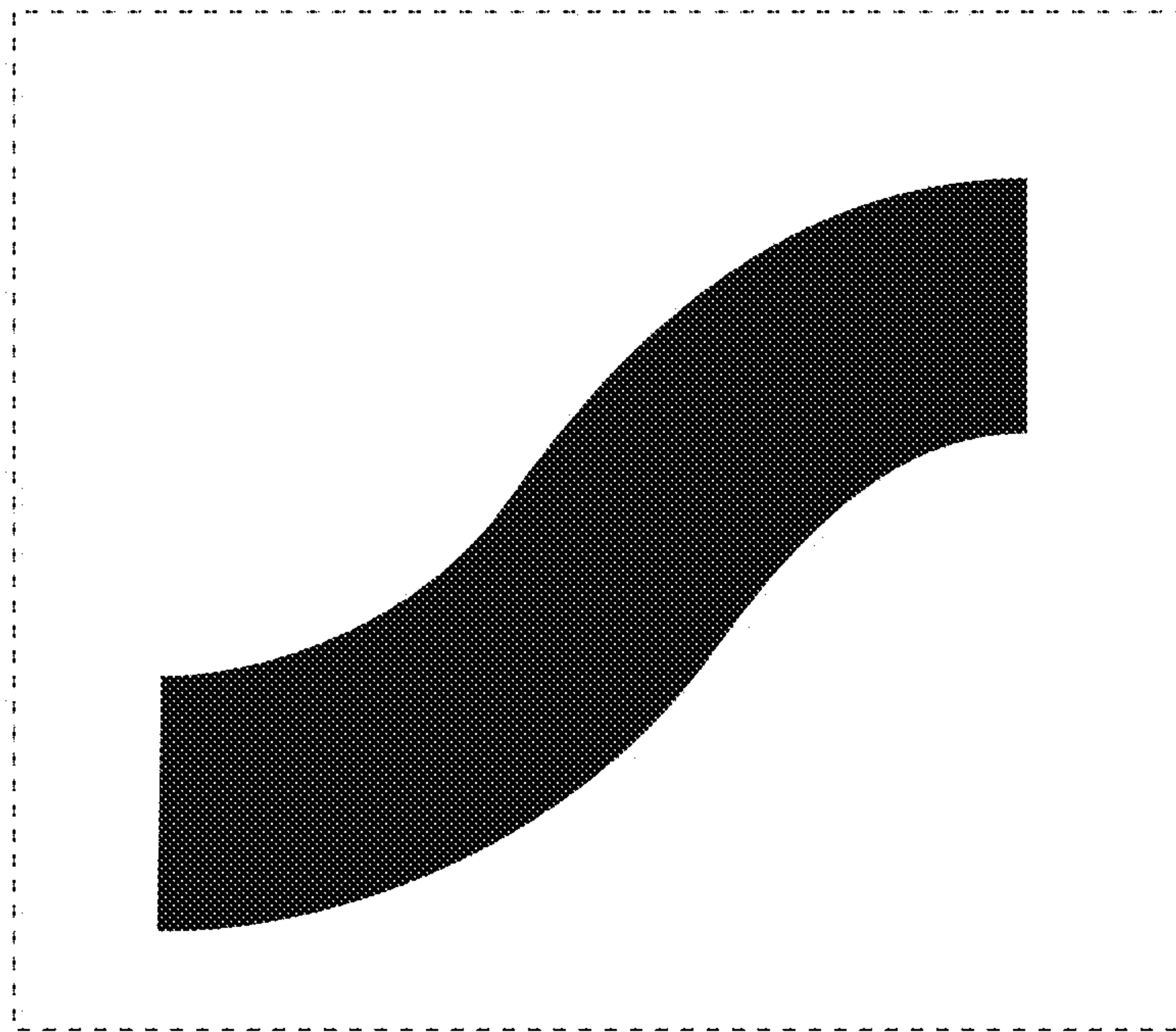


FIG. 4

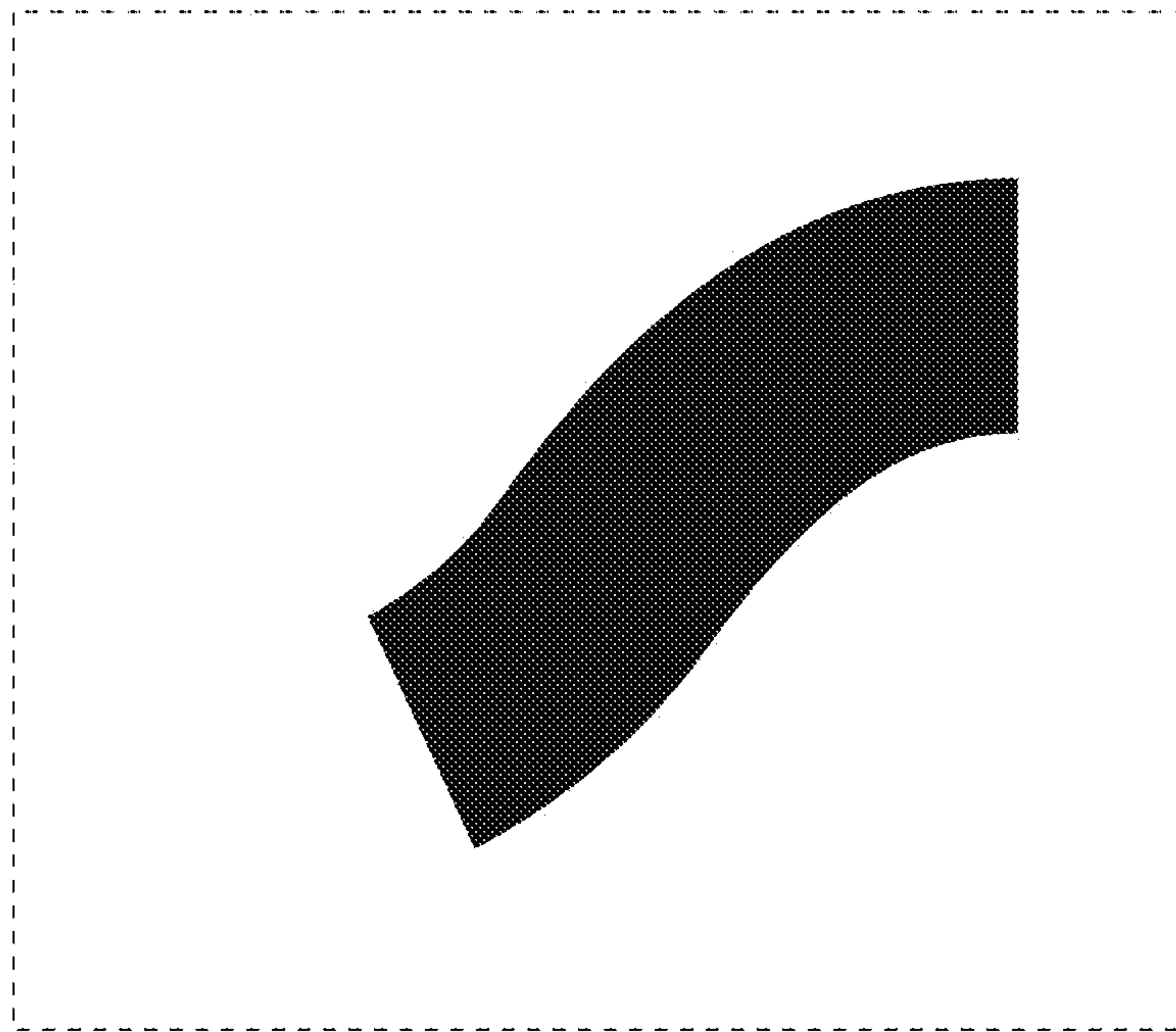


FIG. 5

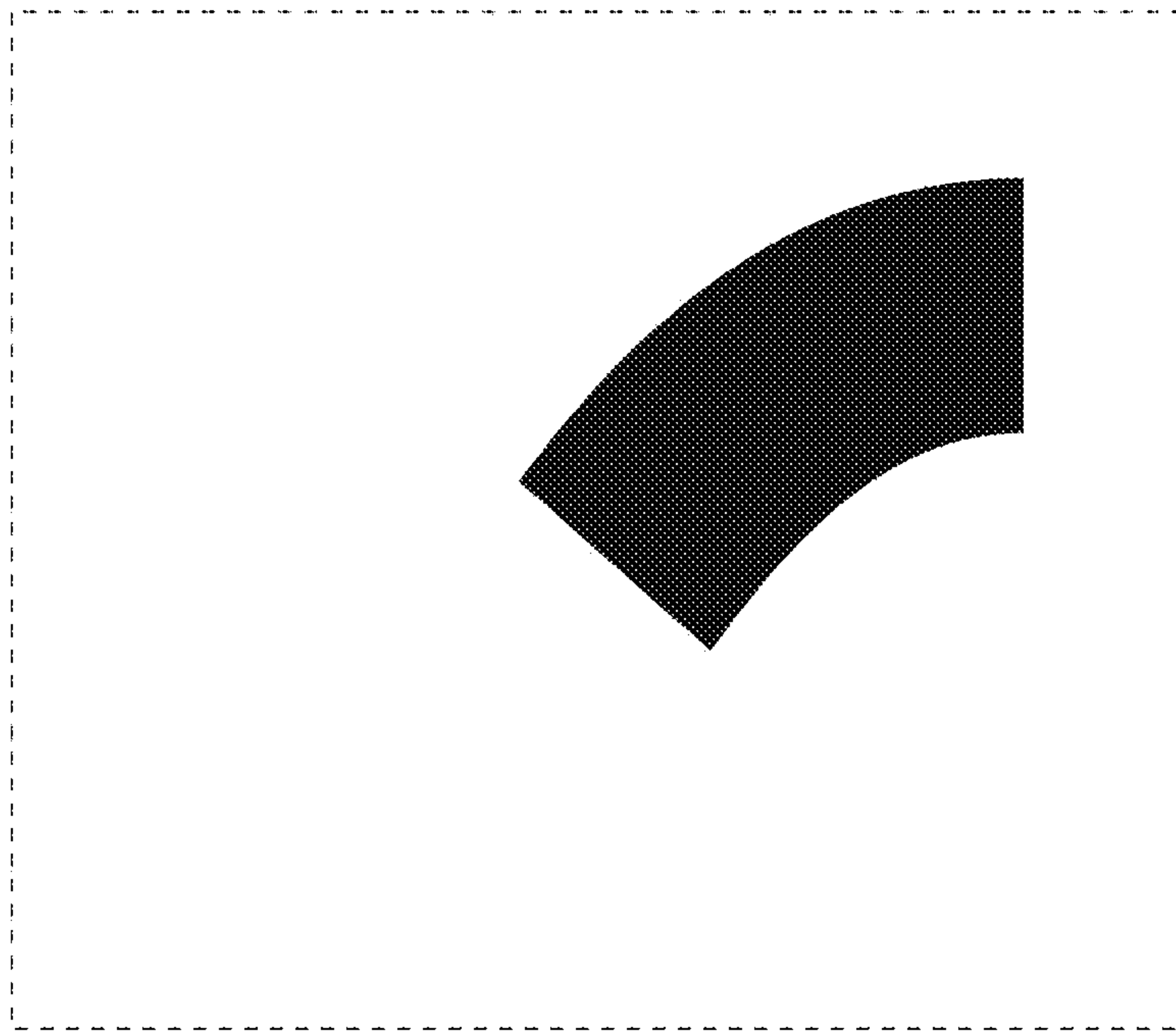


FIG. 6



FIG. 7

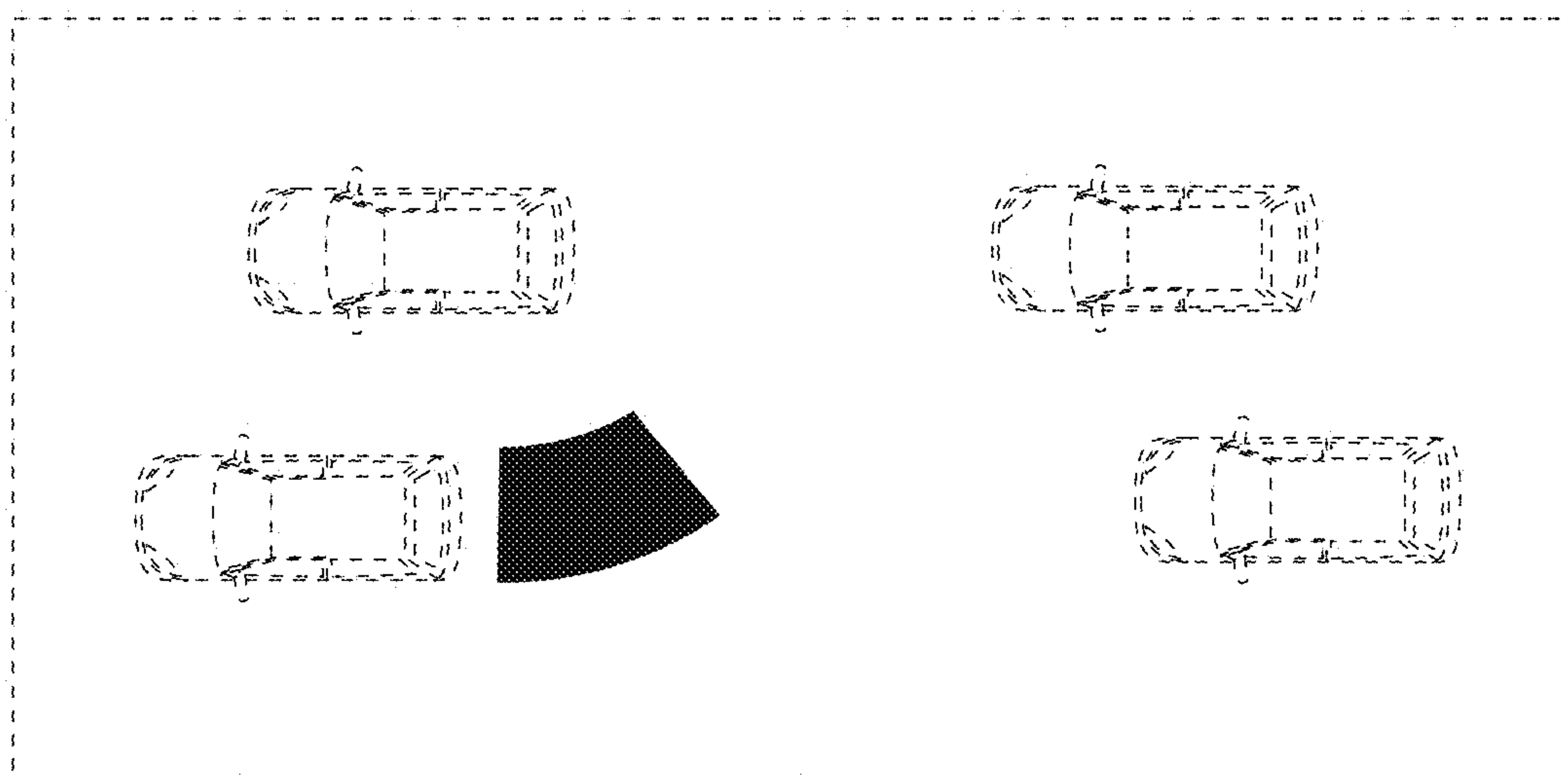


FIG. 8

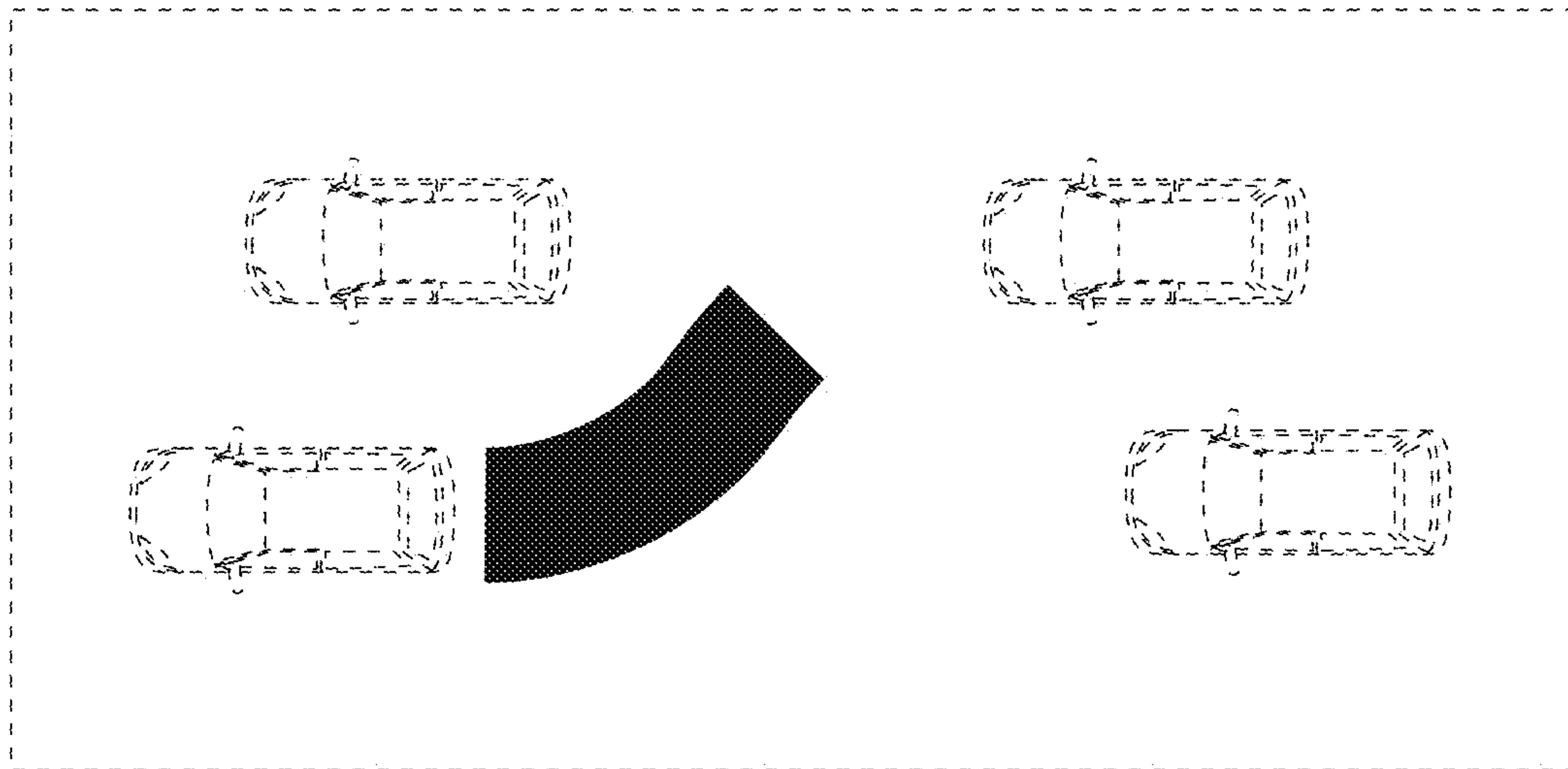


FIG. 9

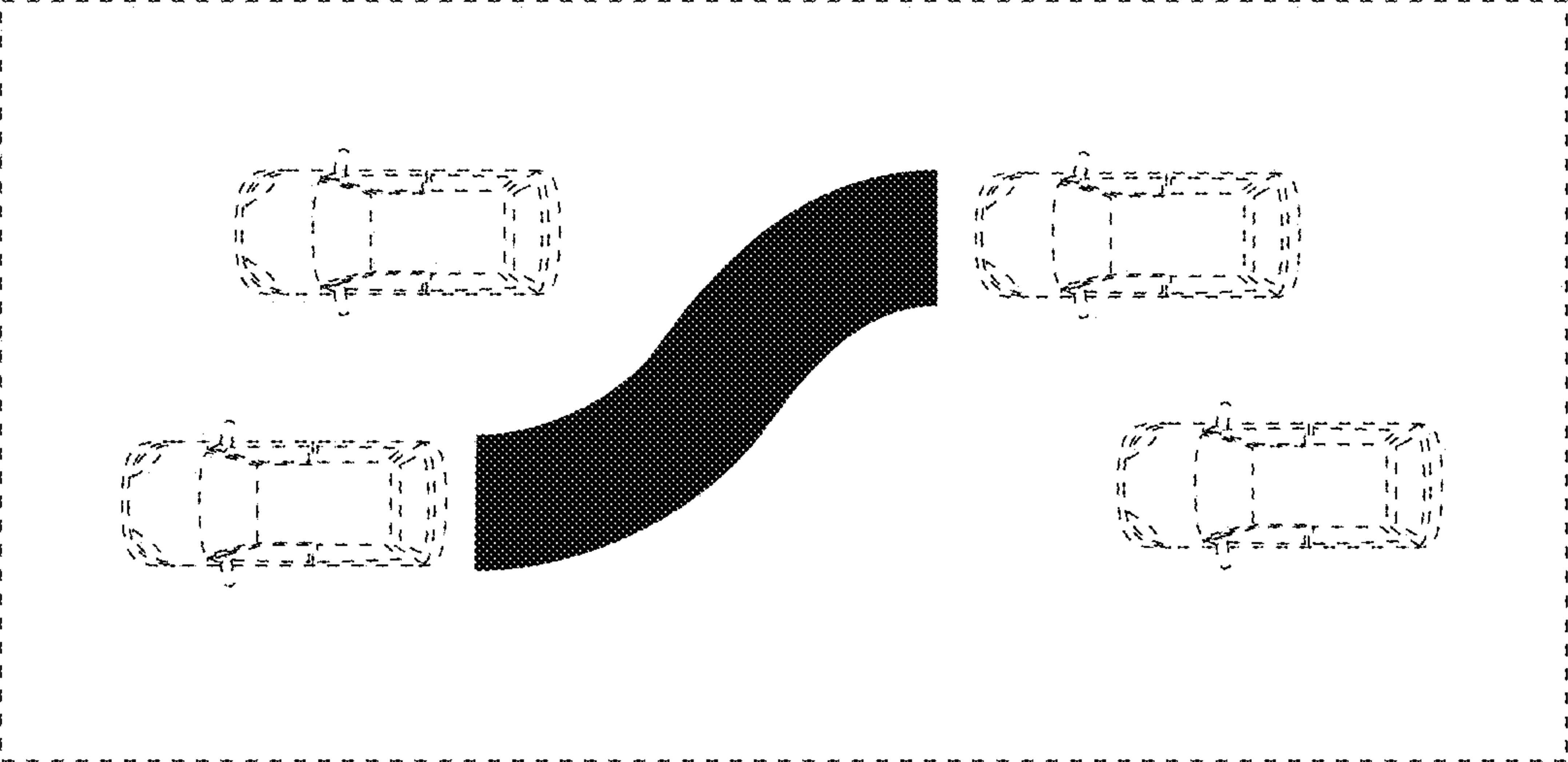


FIG. 10

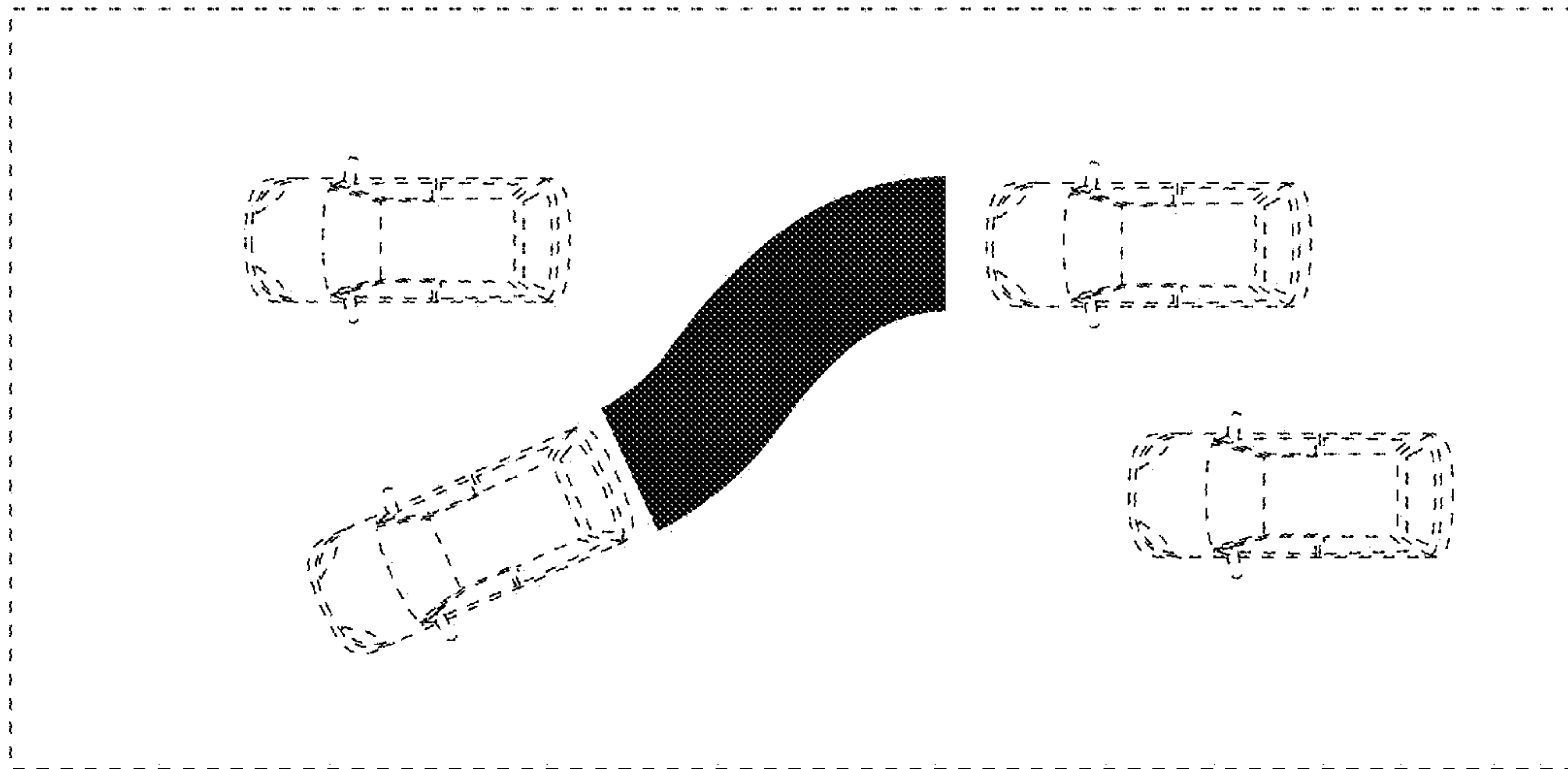


FIG. 11

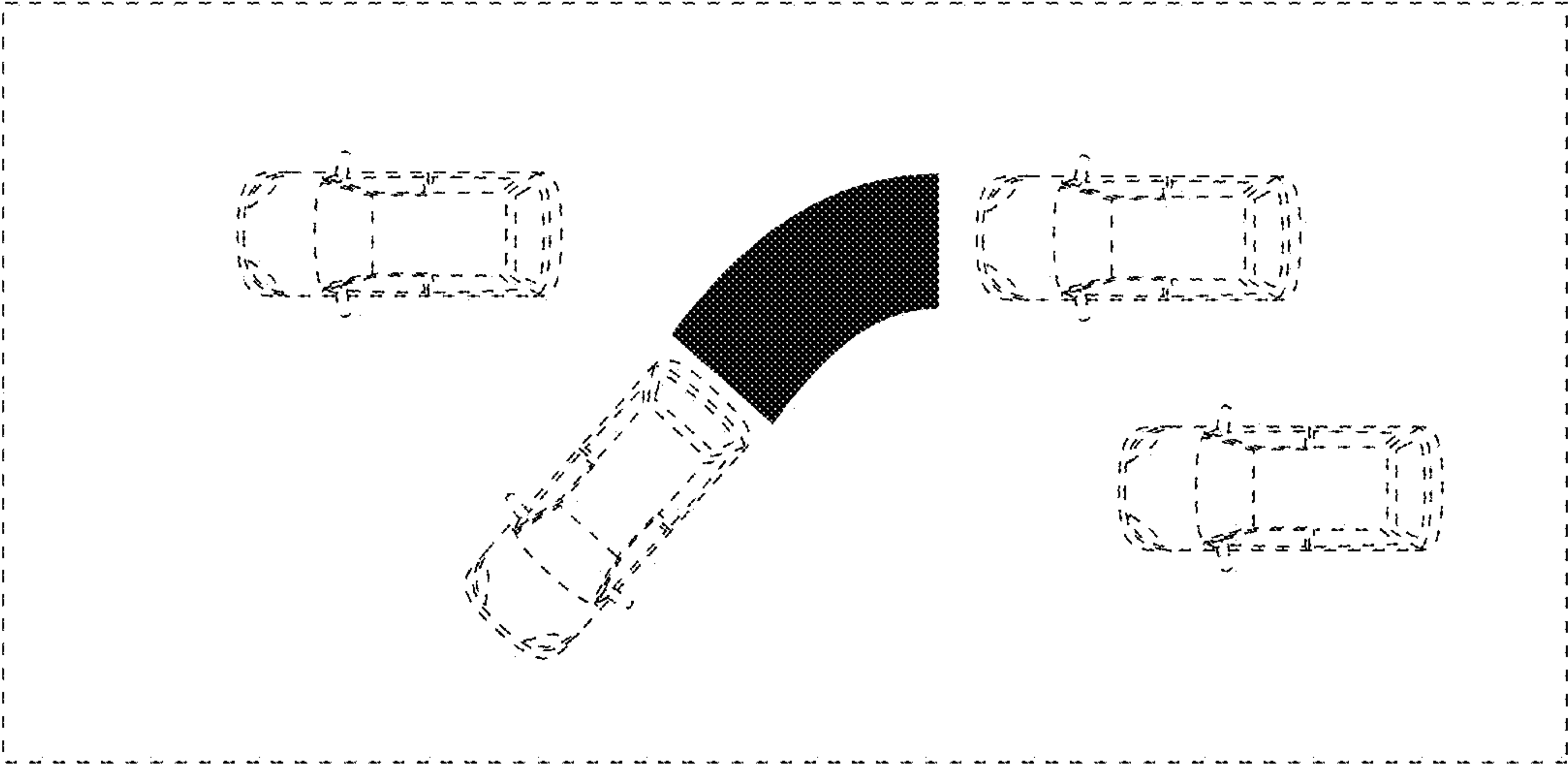


FIG. 12

