



US00D946582S

(12) **United States Design Patent** (10) **Patent No.:** **US D946,582 S**
Wu (45) **Date of Patent:** **** Mar. 22, 2022**

(54) **USB FLASH DRIVE**
(71) Applicant: **SMARTQ INC.**, Philadelphia, PA (US)
(72) Inventor: **Hui Pin Wu**, Philadelphia, PA (US)
(73) Assignee: **SmartQ Inc.**, Philadelphia, PA (US)
(**) Term: **15 Years**
(21) Appl. No.: **29/752,262**
(22) Filed: **Sep. 25, 2020**
(51) **LOC (13) Cl.** **14-03**
(52) **U.S. Cl.**
USPC **D14/480.7**
(58) **Field of Classification Search**
USPC D14/480.1-480.7, 435.1, 411, 433, 436,
D14/484.1, 137, 155, 203.1-203.8, 240,
D14/242, 496, 474; D13/133, 154
CPC H05K 5/0278; G06K 19/07732
See application file for complete search history.

D692,903 S * 11/2013 Lin D14/480.7
D706,787 S * 6/2014 Emami D14/480.7
D754,142 S * 4/2016 Shih-Huang D14/480.7
D757,734 S * 5/2016 Emami D14/480.7
D885,407 S * 5/2020 Zhou D14/480.7
2006/0258196 A1* 11/2006 Chen H01R 13/4538
439/141
2021/0289646 A1* 9/2021 Lin H01R 13/639

* cited by examiner

Primary Examiner — Angela J Lee
(74) *Attorney, Agent, or Firm* — Bradley J. Thorson;
DeWitt LLP

(57) **CLAIM**

The ornamental design for a USB flash drive, as shown and described.

DESCRIPTION

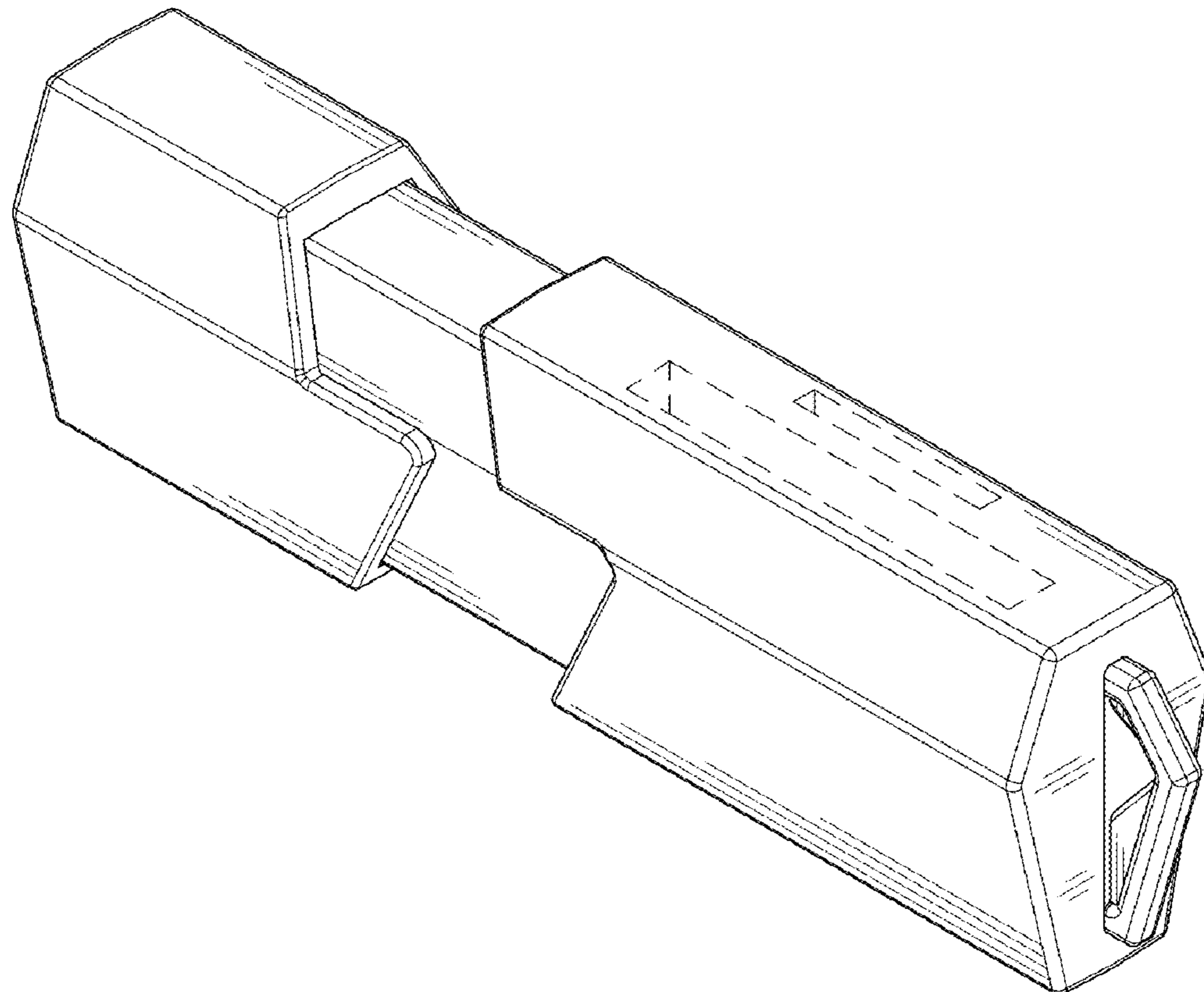
FIG. 1 is a perspective view of a USB flash drive showing my new design;
FIG. 2 is a front elevational view thereof;
FIG. 3 is a rear elevational view thereof;
FIG. 4 is a left side elevation view thereof;
FIG. 5 is a right side elevation view thereof;
FIG. 6 is a top plan view thereof;
FIG. 7 is a bottom plan view thereof; and,
FIG. 8 is a perspective view in use thereof.
The portions shown in dashed lines do not form part of the design.

1 Claim, 4 Drawing Sheets

(56) **References Cited**

U.S. PATENT DOCUMENTS

D547,311 S * 7/2007 Chen D14/480.7
D587,266 S * 2/2009 Deguchi D14/480.7
D616,449 S * 5/2010 Lo D14/480.7
D620,017 S * 7/2010 Lo D14/480.7
D660,859 S * 5/2012 Lin D14/480.7
D673,576 S * 1/2013 Lin D14/480.7



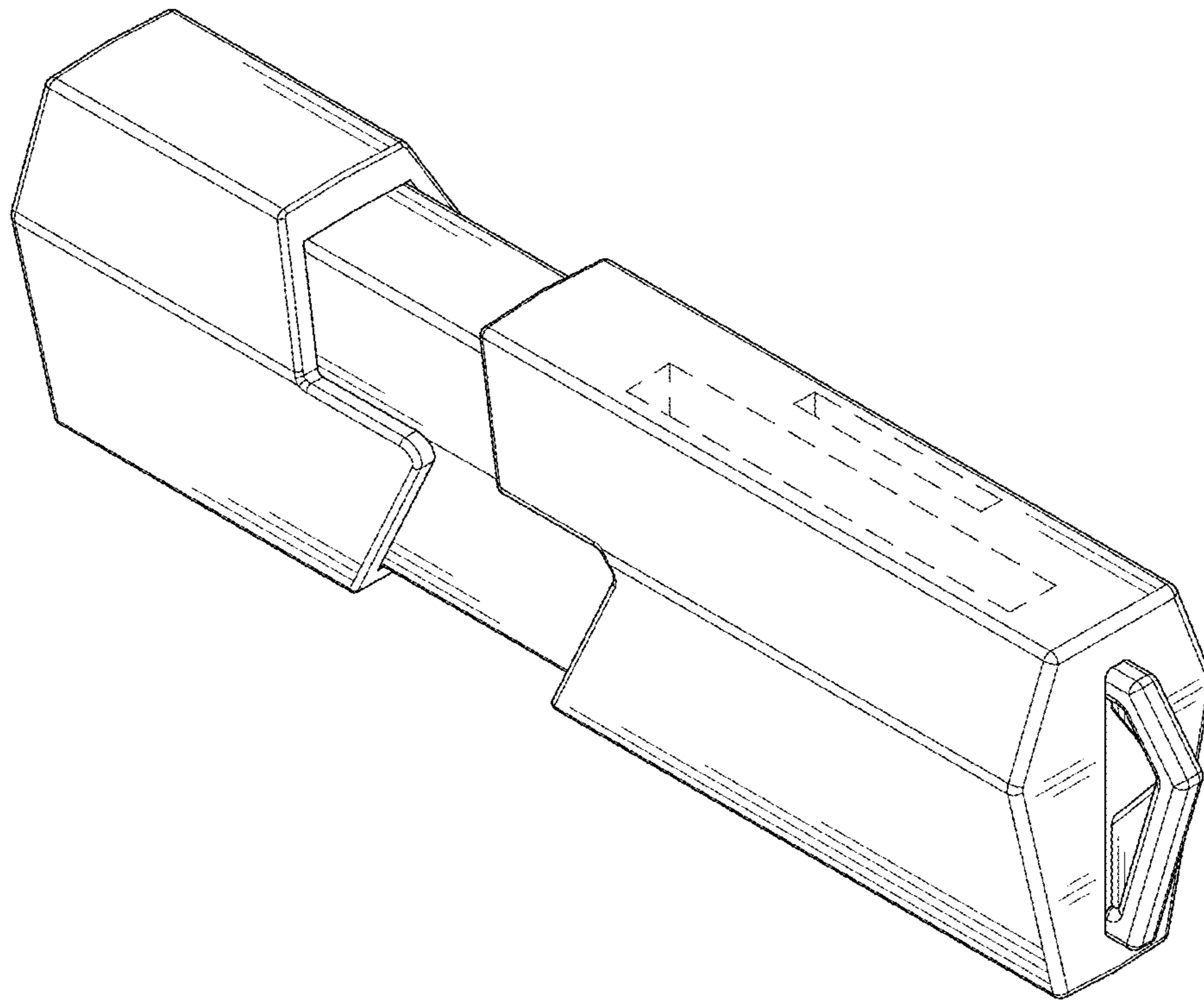


FIG. 1

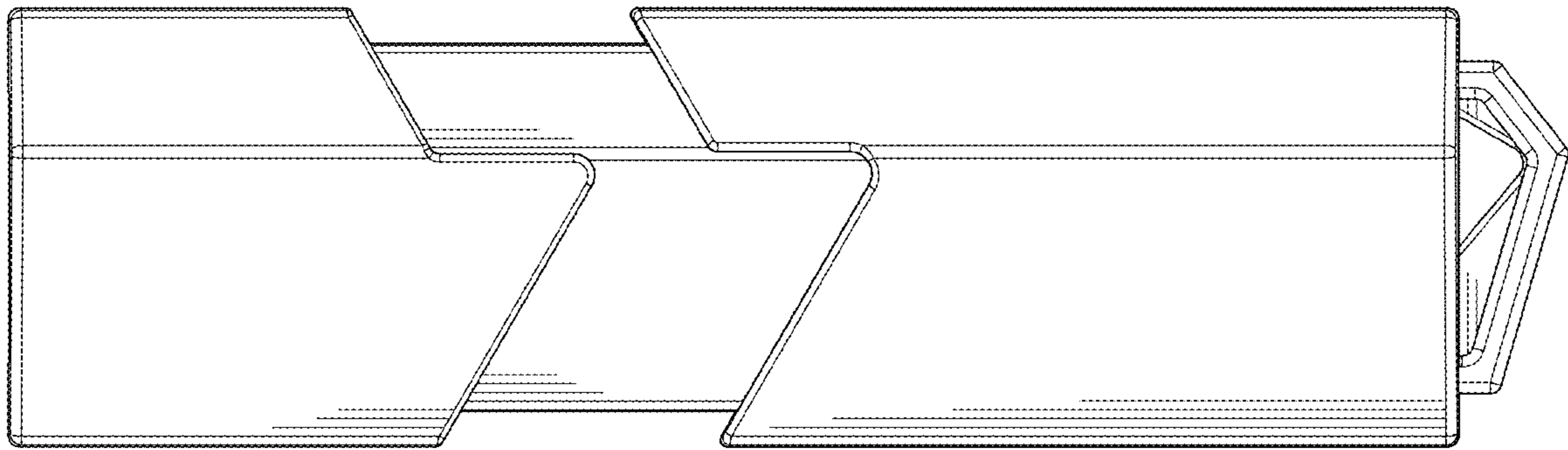


FIG. 2

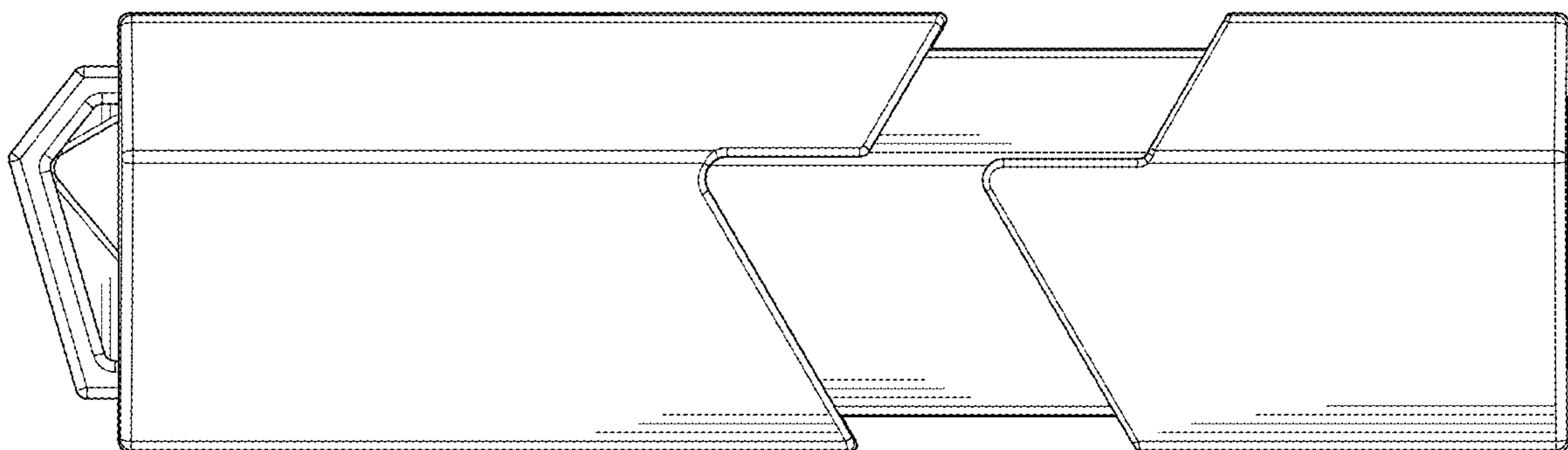


FIG. 3

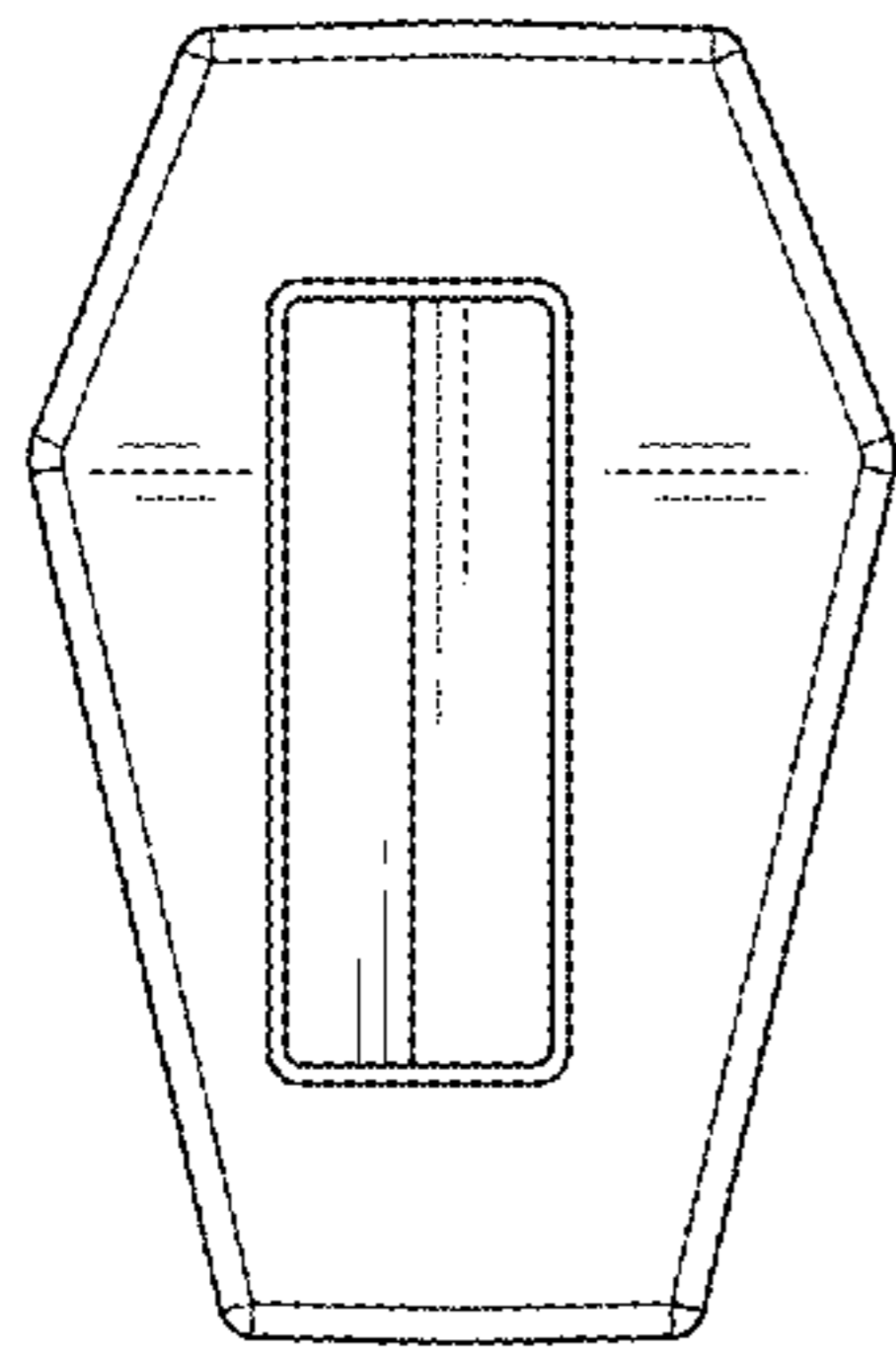


FIG. 4

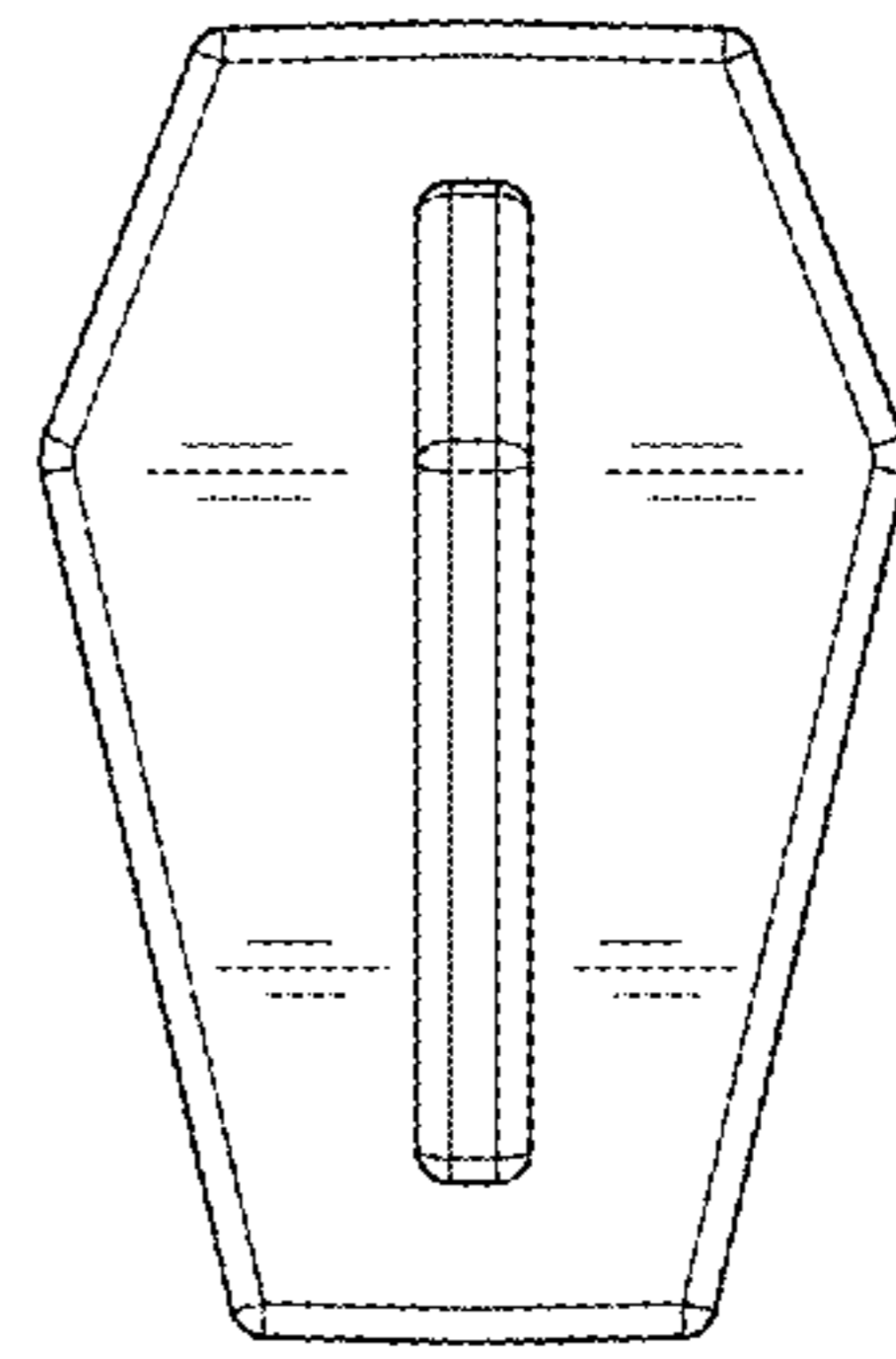


FIG. 5

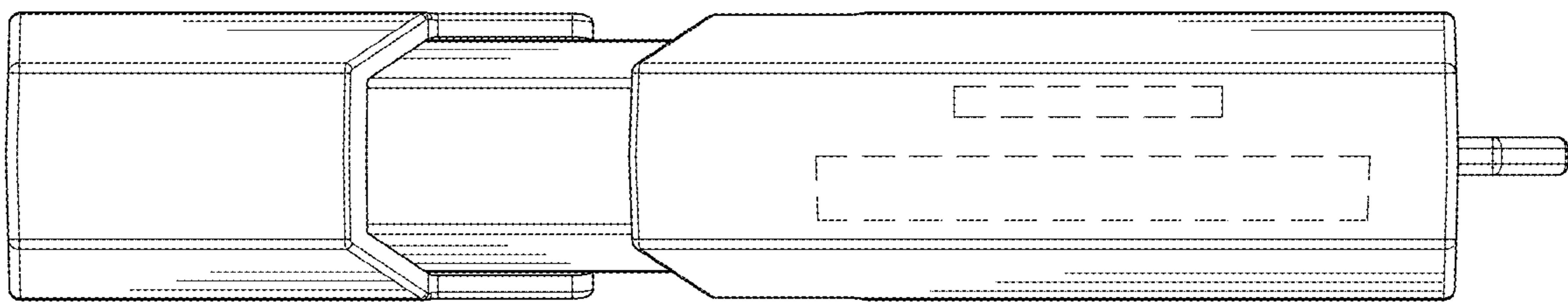


FIG. 6

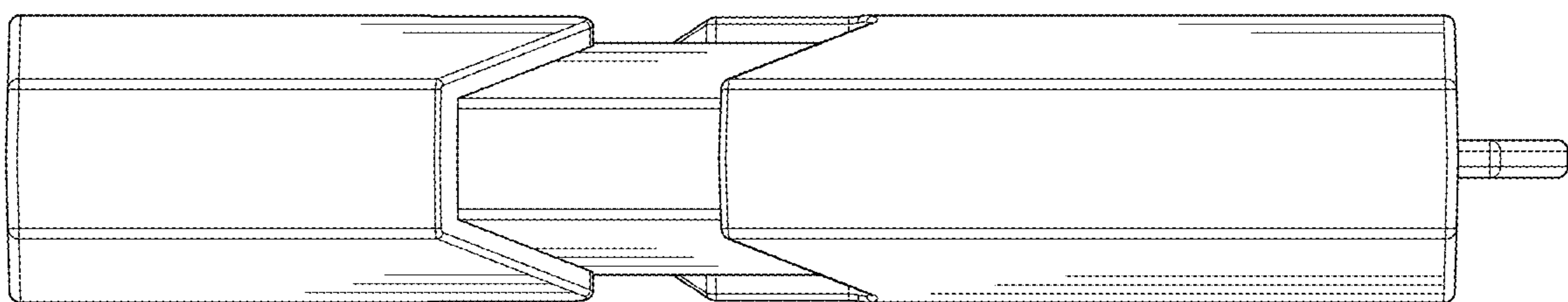


FIG. 7

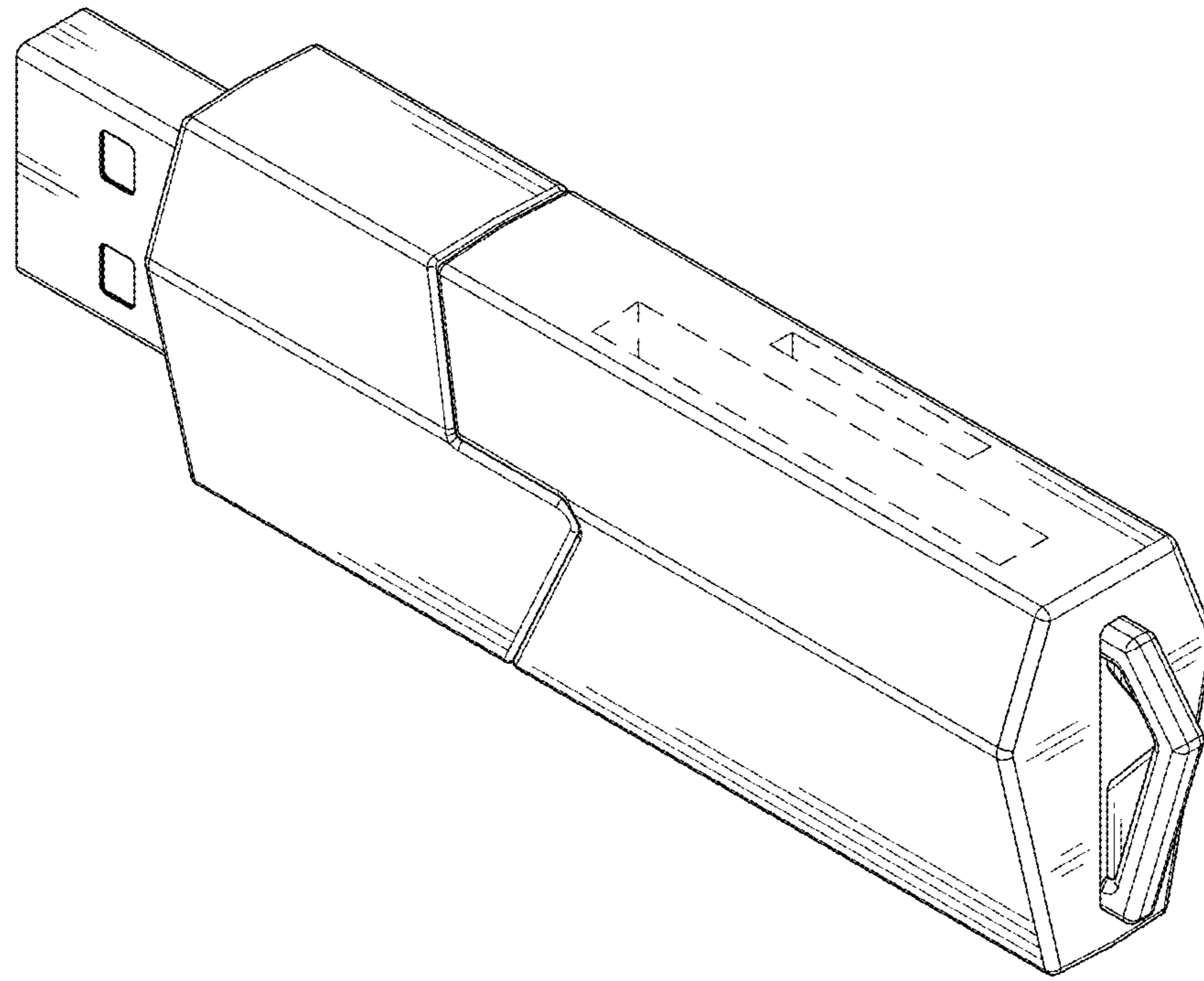


FIG. 8