



US00D946581S

(12) **United States Design Patent**  
**Wu**

(10) **Patent No.:** **US D946,581 S**

(45) **Date of Patent:** **\*\* Mar. 22, 2022**

(54) **USB FLASH DRIVE**

(71) Applicant: **SMARTQ INC.**, Philadelphia, PA (US)

(72) Inventor: **Hui Pin Wu**, Philadelphia, PA (US)

(73) Assignee: **SmartQ Inc.**, Philadelphia, PA (US)

(\*\*) Term: **15 Years**

(21) Appl. No.: **29/752,260**

(22) Filed: **Sep. 25, 2020**

(51) **LOC (13) Cl.** ..... **14-03**

(52) **U.S. Cl.**  
USPC ..... **D14/480.5**

(58) **Field of Classification Search**  
USPC ..... D14/480.1–480.7, 435.1, 411, 433, 436,  
D14/484.1, 137, 155, 203.1–203.8, 240,  
D14/242, 496, 474; D13/133, 154  
CPC ..... H05K 5/0278; G06K 19/07732  
See application file for complete search history.

(56) **References Cited**

**U.S. PATENT DOCUMENTS**

- D542,788 S \* 5/2007 Gutmann ..... D14/480.5
- D563,954 S \* 3/2008 Buchanon ..... D14/480.7
- D602,939 S \* 10/2009 Andre ..... D14/480.1
- D642,585 S \* 8/2011 Lan ..... D14/480.5

- D702,246 S \* 4/2014 Hoffart ..... D14/480.1
- D711,389 S \* 8/2014 Sun ..... D14/480.5
- D729,277 S \* 5/2015 Uchida ..... D14/496
- D798,308 S \* 9/2017 Tzeng ..... D14/480.5
- D804,491 S \* 12/2017 Lin ..... D14/480.3
- D828,363 S \* 9/2018 Turksu ..... D14/480.5
- D846,557 S \* 4/2019 Ehrensverd ..... D14/480.1
- D868,794 S \* 12/2019 Jun ..... D14/480.5

\* cited by examiner

*Primary Examiner* — Angela J Lee

(74) *Attorney, Agent, or Firm* — Bradley J. Thorson;  
DeWitt LLP

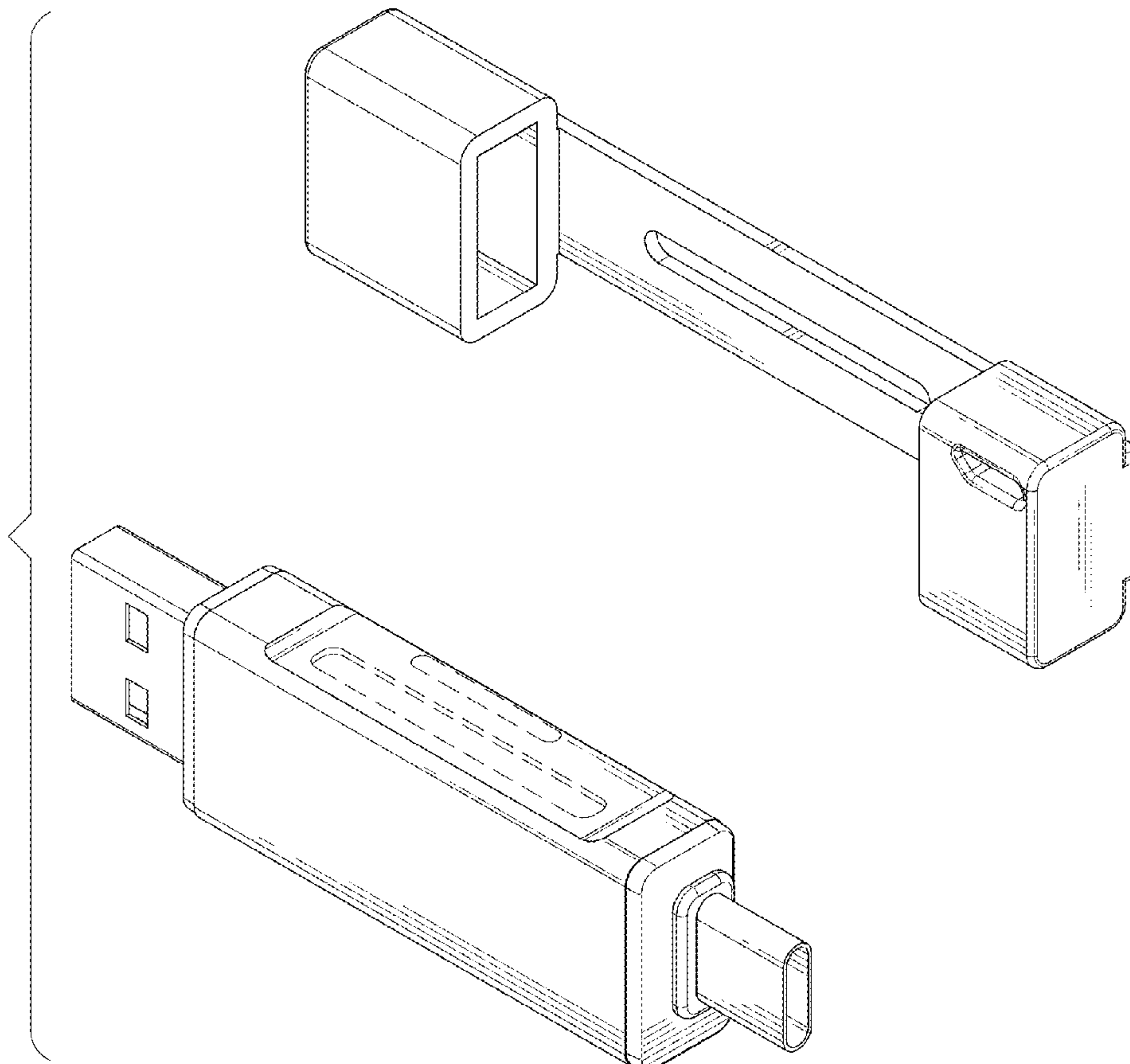
(57) **CLAIM**

The ornamental design for a USB flash drive, as shown and described.

**DESCRIPTION**

FIG. 1 is a perspective view of a USB flash drive showing my new design;  
 FIG. 2 is a front elevational view thereof;  
 FIG. 3 is a rear elevational view thereof;  
 FIG. 4 is a left side elevation view thereof;  
 FIG. 5 is a right side elevation view thereof;  
 FIG. 6 is a top plan view thereof;  
 FIG. 7 is a bottom plan view thereof; and,  
 FIG. 8 is a perspective view in use thereof.  
 The portions shown in dashed lines do not form part of the design.

**1 Claim, 4 Drawing Sheets**



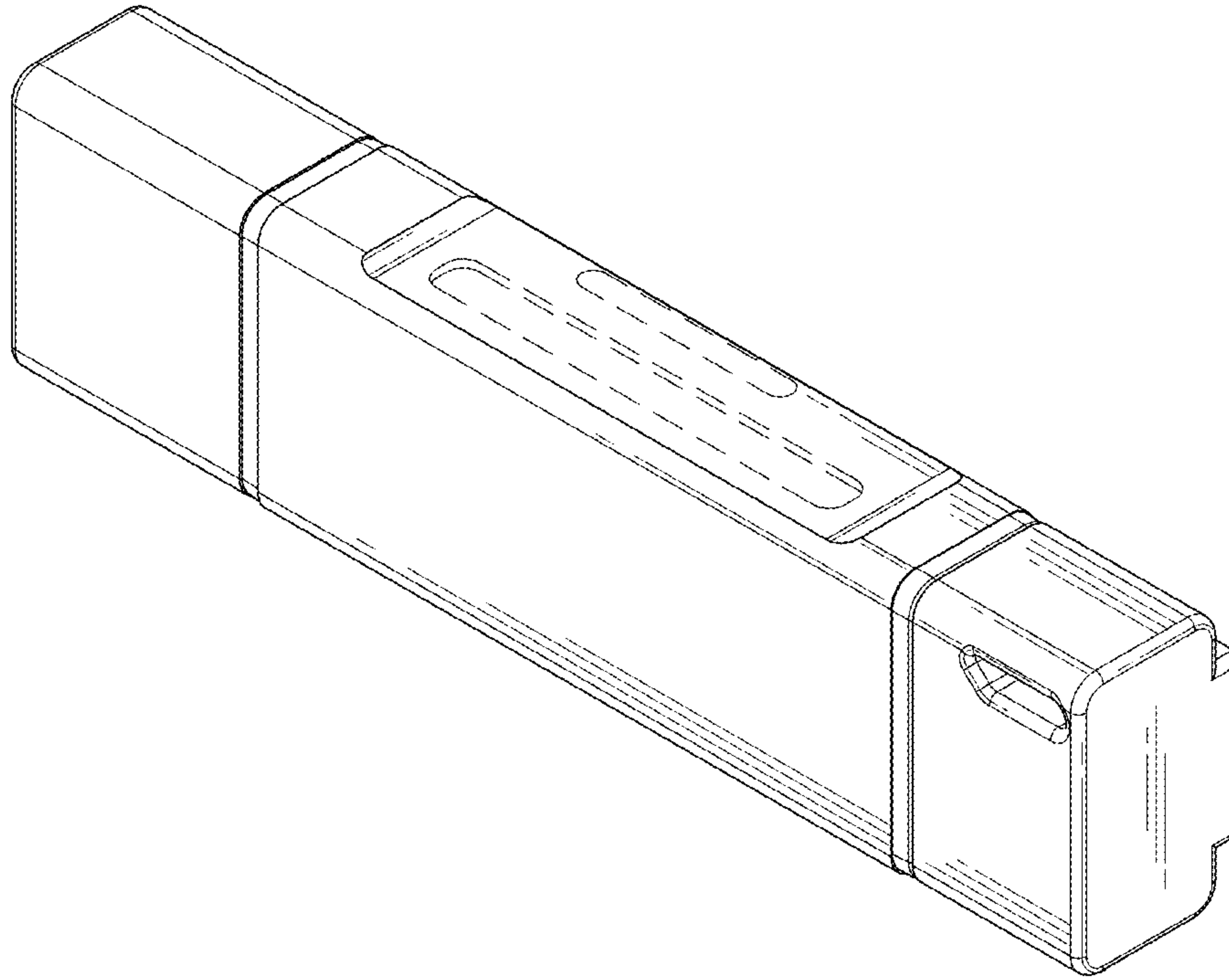


FIG. 1

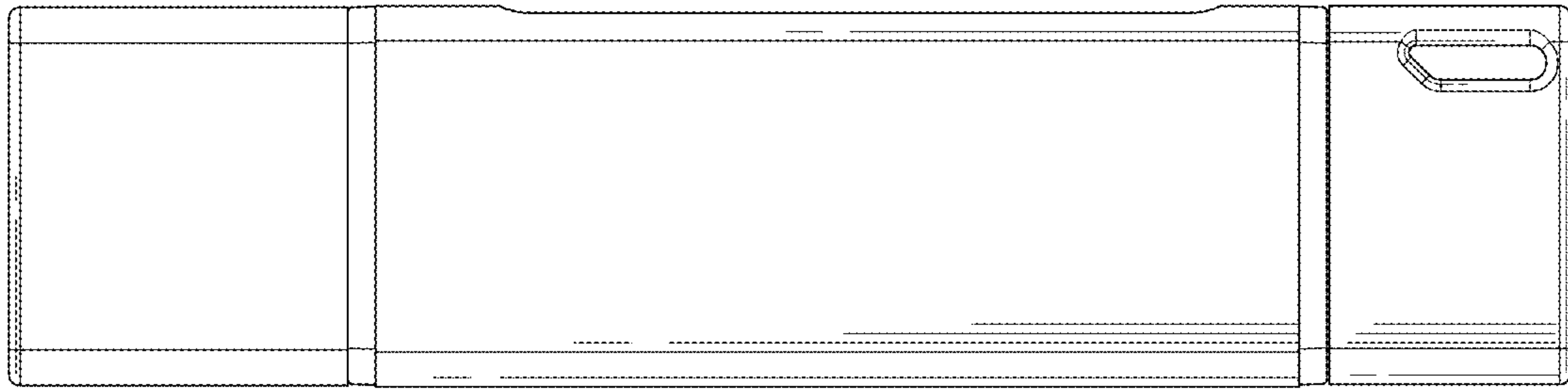


FIG. 2

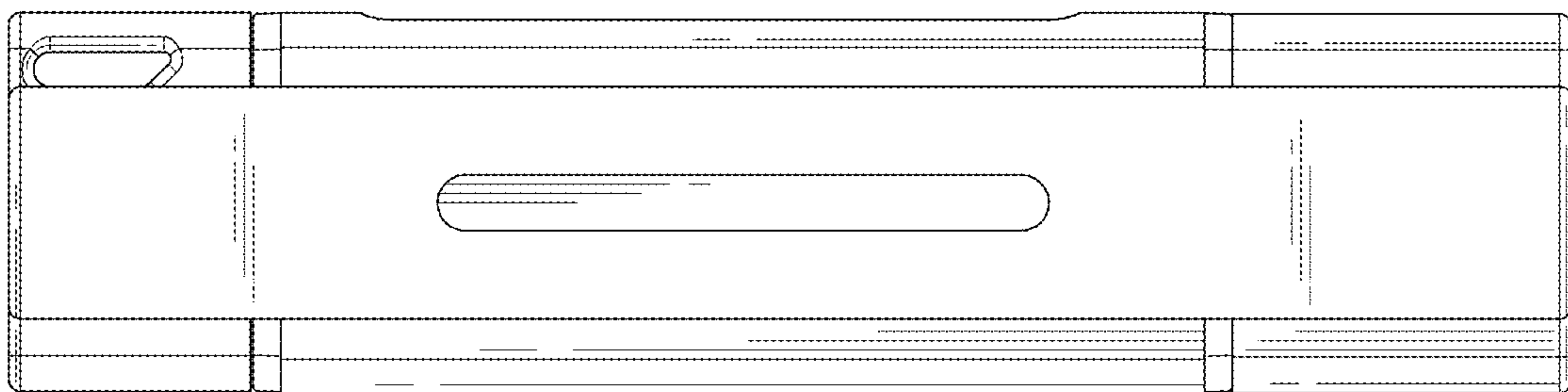


FIG. 3

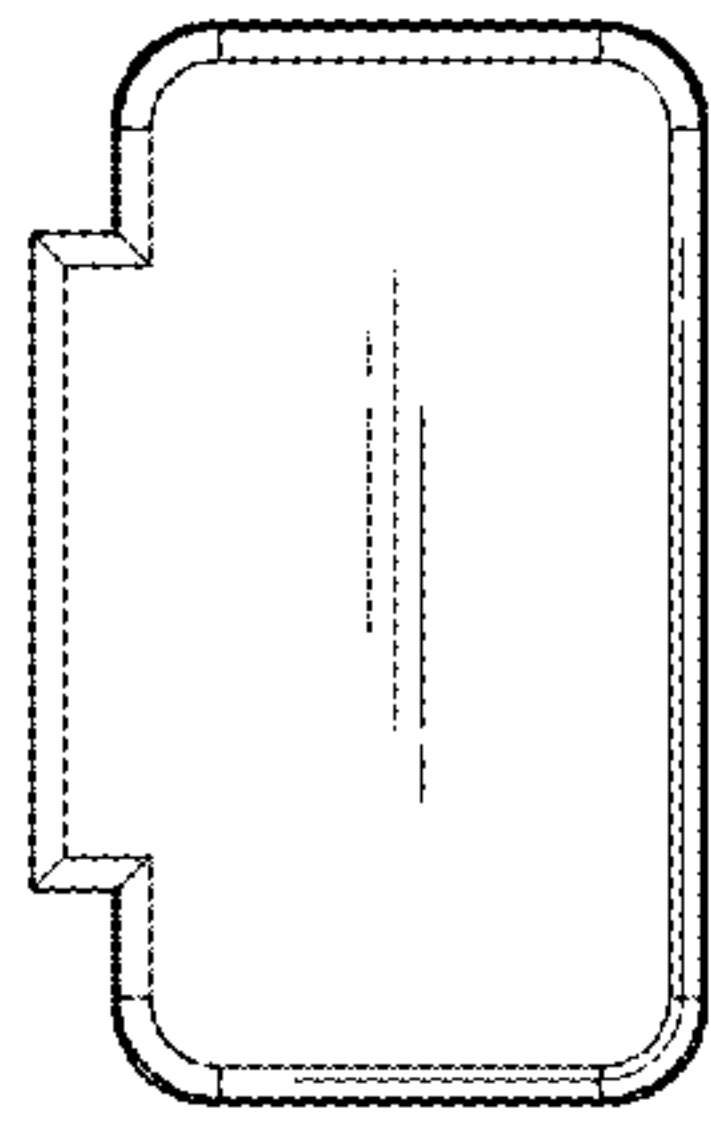


FIG. 4

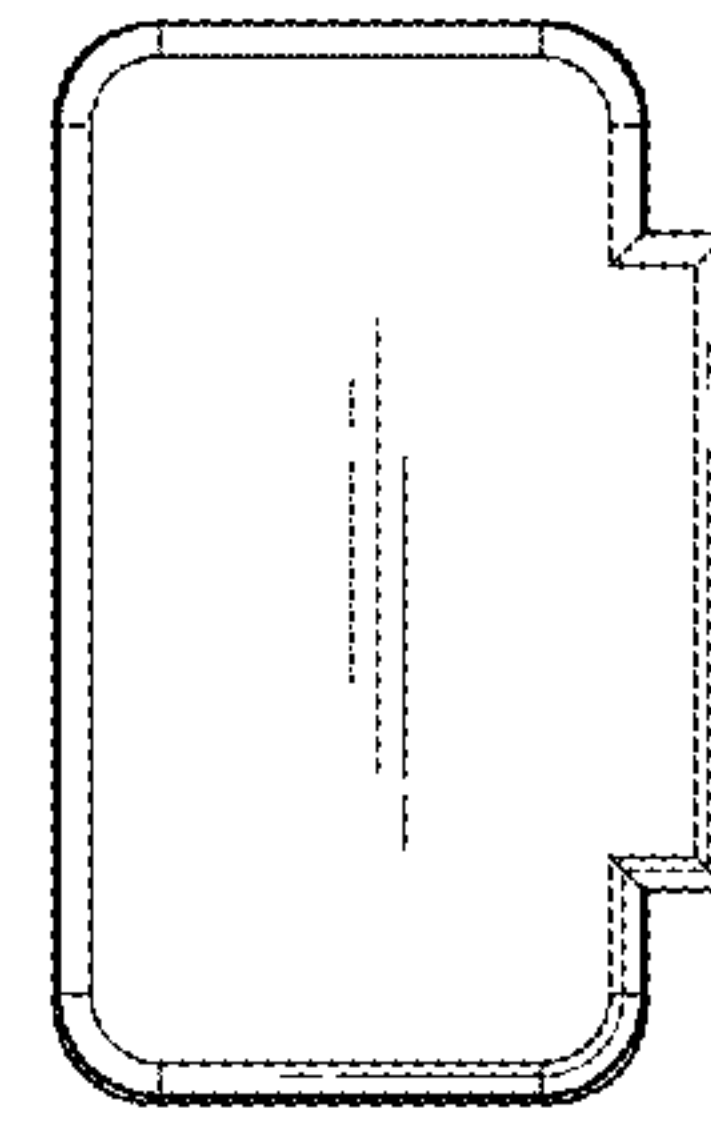


FIG. 5

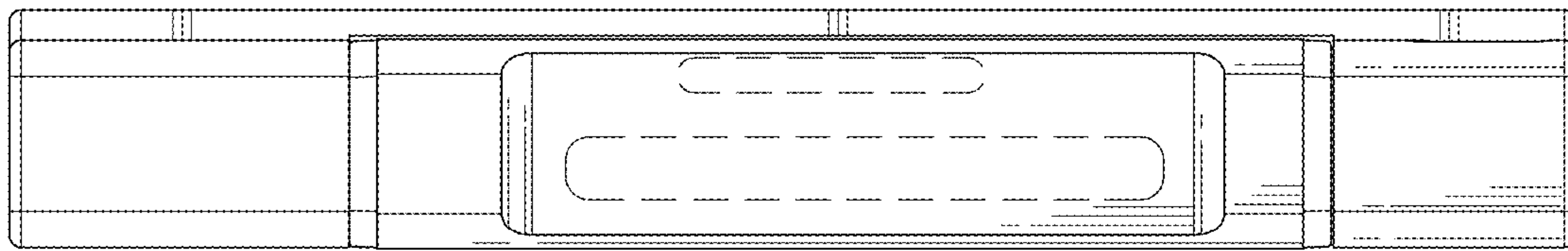


FIG. 6

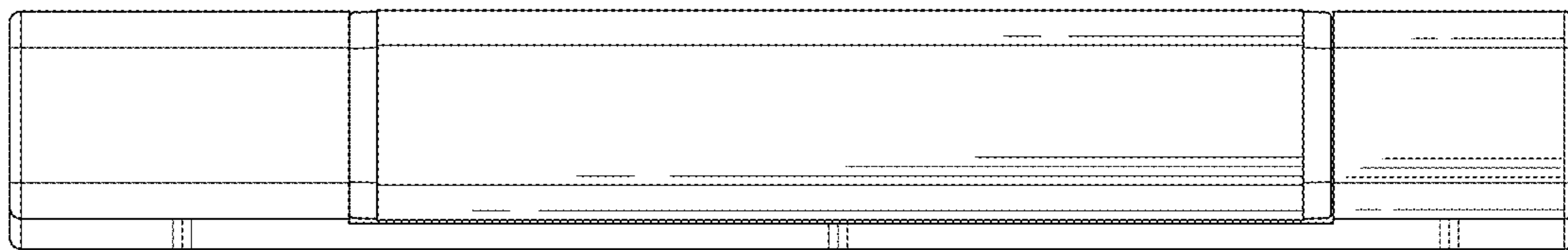


FIG. 7

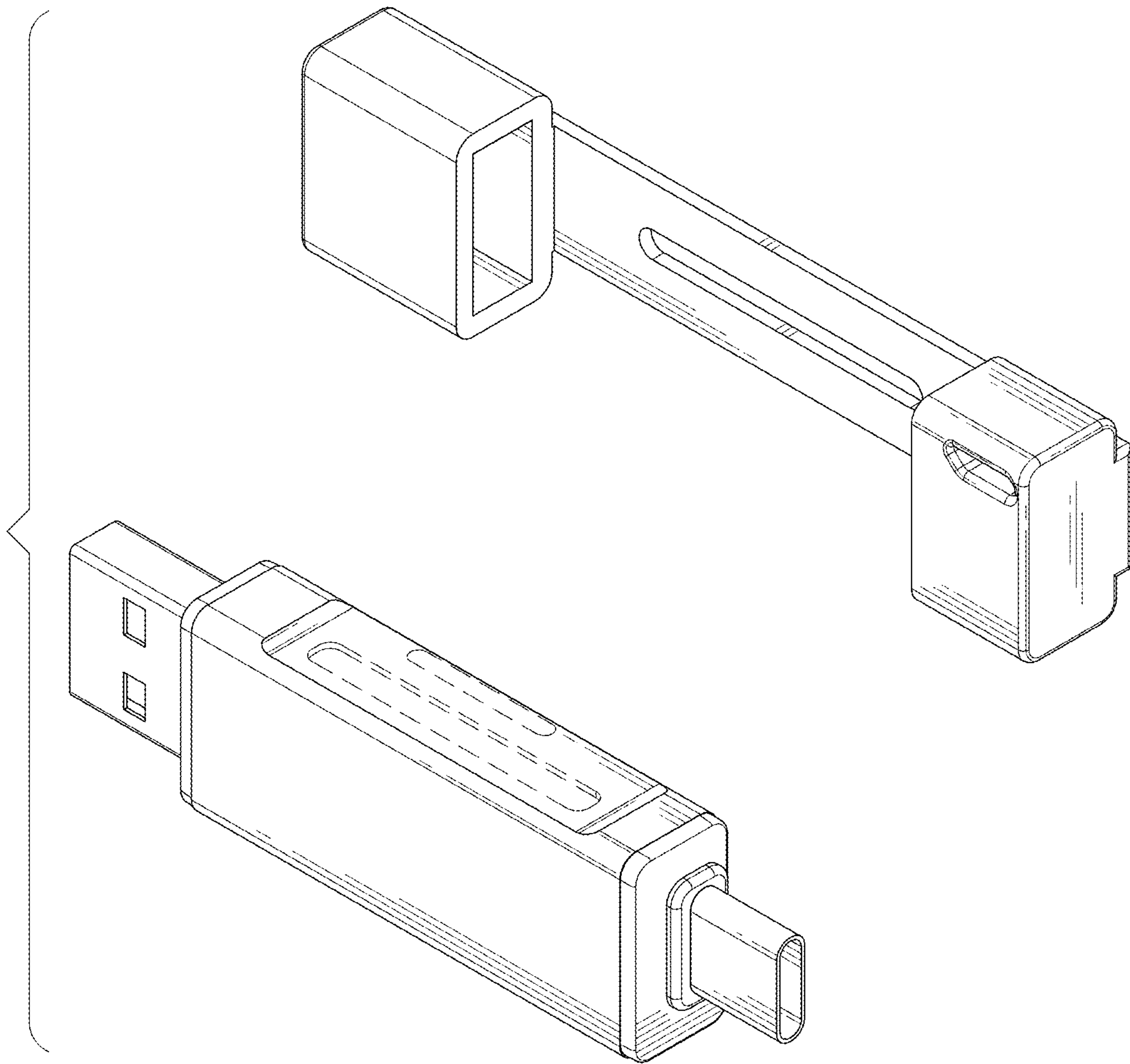


FIG. 8