



US00D946580S

(12) **United States Design Patent**
Huang

(10) **Patent No.:** **US D946,580 S**

(45) **Date of Patent:** **** Mar. 22, 2022**

(54) **VERTICAL STAND FOR VIDEO GAME
CONSOLE WITH COOLING FAN**

(71) Applicant: **Xiaoxuan Huang**, Huilai County (CN)

(72) Inventor: **Xiaoxuan Huang**, Huilai County (CN)

(**) Term: **15 Years**

(21) Appl. No.: **29/772,843**

(22) Filed: **Mar. 4, 2021**

(51) **LOC (13) Cl.** **08-07**

(52) **U.S. Cl.**
USPC **D14/447; D21/333**

(58) **Field of Classification Search**
USPC D14/447, 432, 434, 439, 440, 451, 452,
D14/457, 239, 253; D8/363, 373, 380;
D6/406.3, 406.4, 406.5, 406.6; D12/415;
D21/333, 332
CPC A47B 21/04; A47B 2097/006; A47B
2097/005; A47B 2023/049; A45C
2011/002; A45C 2011/003; F16M
2200/00; F16M 13/00
See application file for complete search history.

(56) **References Cited**

U.S. PATENT DOCUMENTS

D273,165 S	3/1984	Sternberg	
D350,536 S *	9/1994	McKnight	D14/447
D465,532 S	11/2002	Hussaini et al.	
D479,860 S *	9/2003	Lim	D14/217
D543,246 S	5/2007	Ashida et al.	
D546,893 S	7/2007	Yamashita	
D554,707 S *	11/2007	Hussaini	D21/333
D554,900 S	11/2007	Hussaini et al.	
D582,486 S	12/2008	Ashida et al.	
D589,962 S	4/2009	Maruyama et al.	
D597,940 S *	8/2009	Navid	D13/108

D598,920 S *	8/2009	Fujino	D14/447
D616,040 S	5/2010	Spencer	
D696,675 S	12/2013	Delrue et al.	
D720,564 S	1/2015	Buller	
D765,449 S	9/2016	Buller	
D817,964 S *	5/2018	Kim	D14/447
D818,036 S *	5/2018	Ozawa	D18/19
D831,662 S *	10/2018	Hong	D14/447
D852,803 S *	7/2019	Lin	D14/447
D865,769 S *	11/2019	Lu	D14/434
D868,792 S *	12/2019	Zeng	D14/447
D873,923 S	1/2020	Spencer	
D907,643 S *	1/2021	Wengreen	D14/447
D931,862 S *	9/2021	Zhong	D14/447

* cited by examiner

Primary Examiner — Angela J Lee

(74) *Attorney, Agent, or Firm* — Xiaofang Zhong; Law
Office of Xiaofang Zhong, PLLC

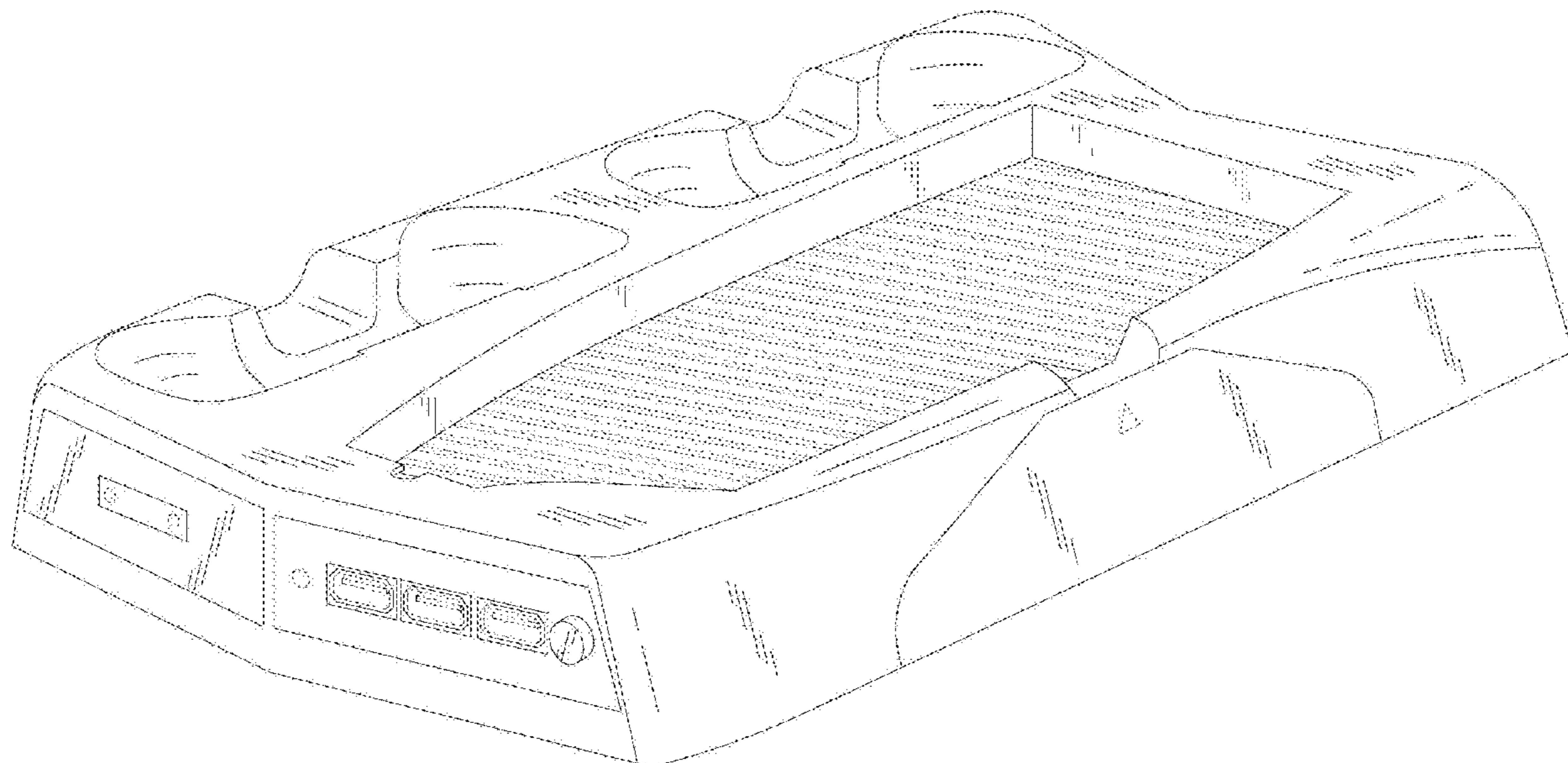
(57) **CLAIM**

The ornamental design for a vertical stand for video game console with cooling fan, as shown and described.

DESCRIPTION

FIG. 1 is a perspective view of a vertical stand for video game console with cooling fan showing my new design; FIG. 2 is a front elevational view thereof; FIG. 3 is a back elevational view thereof; FIG. 4 is a left side elevational view thereof; FIG. 5 is a right side elevational view thereof; FIG. 6 is a top plan view thereof; FIG. 7 is a bottom plan view thereof; and, FIG. 8 is a perspective view of the vertical stand for video game console with cooling fan showing pull out game slots. The broken lines in the drawings depict part of the vertical stand for video game console with cooling fan that form no part of the claimed design.

1 Claim, 8 Drawing Sheets



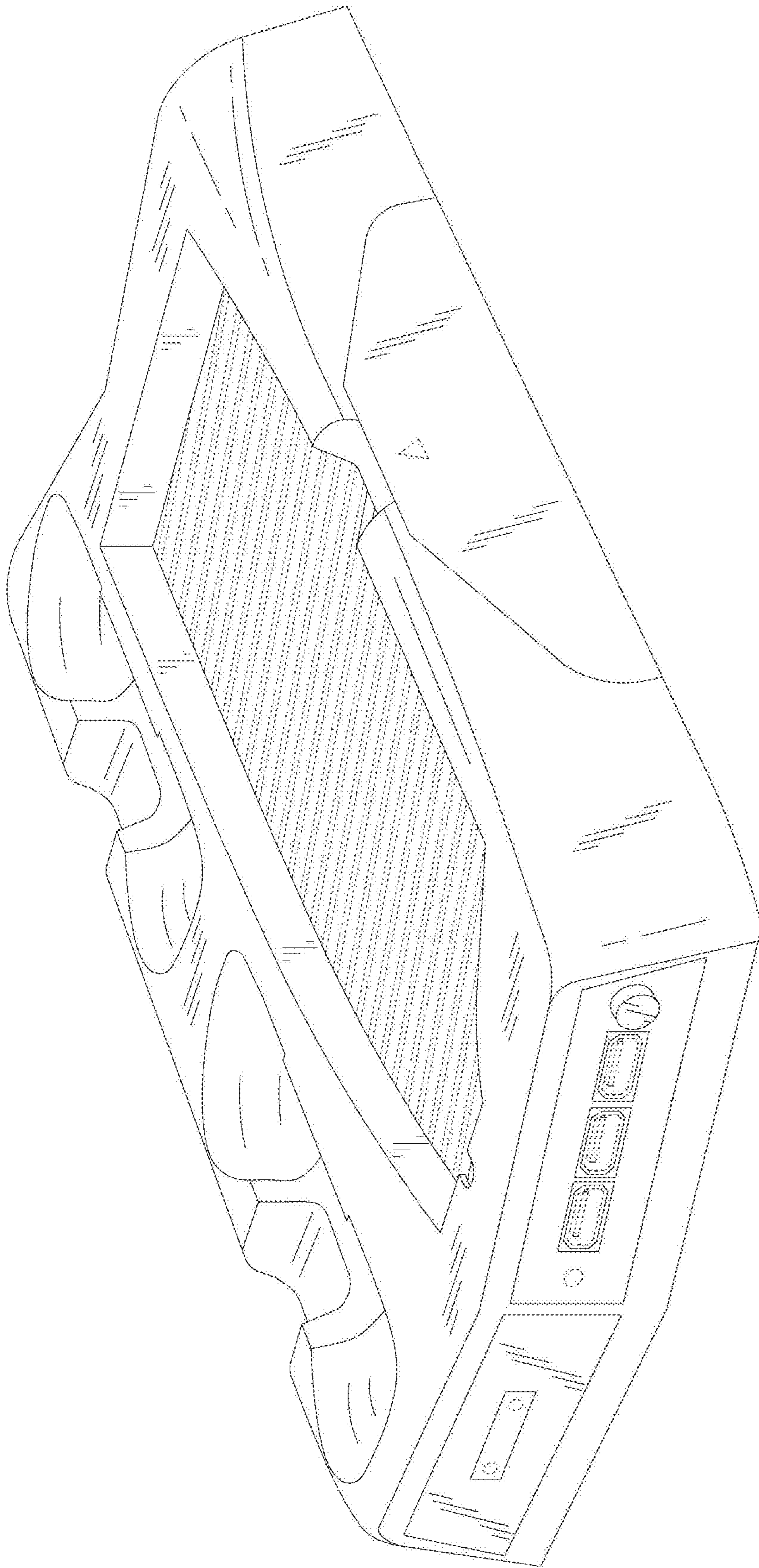


FIG. 1

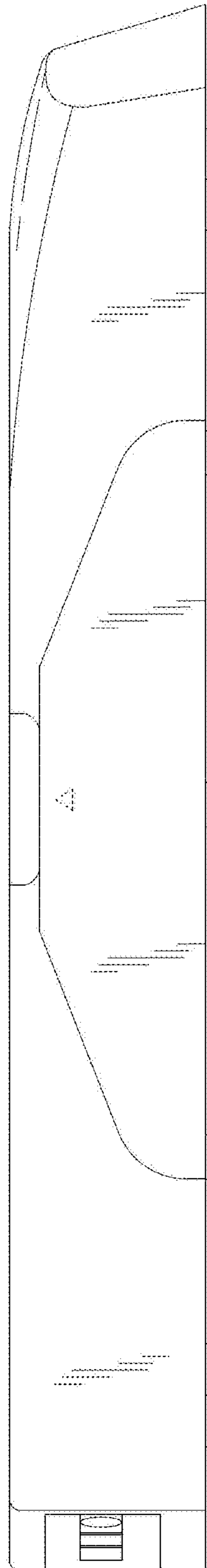


FIG. 2

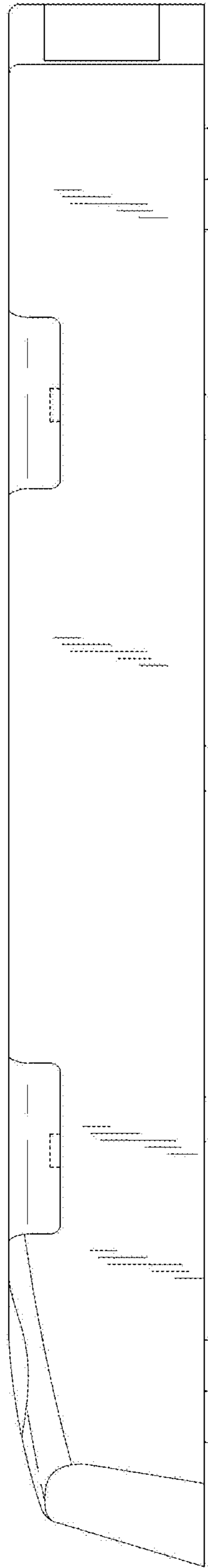


FIG. 3

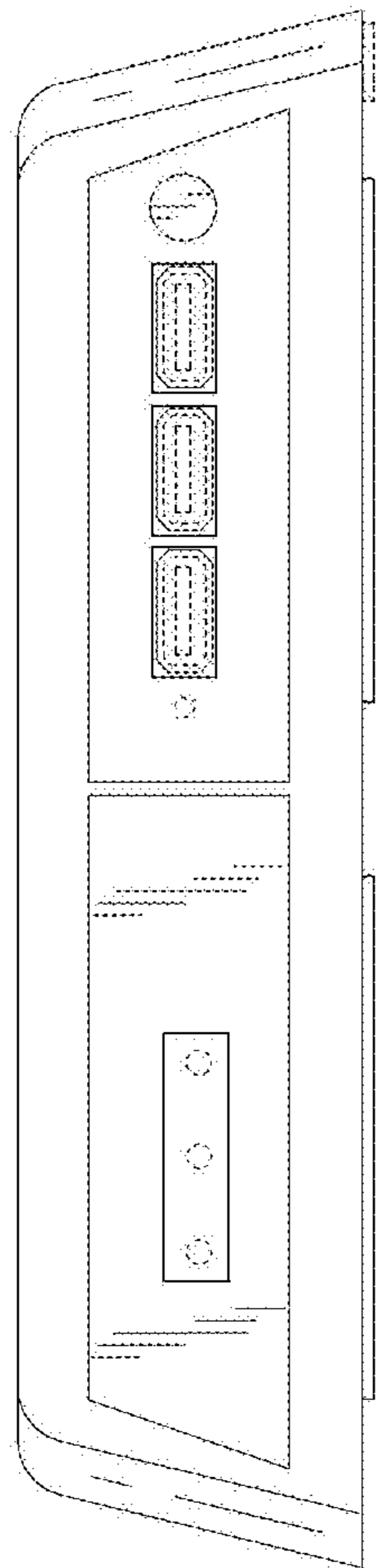


FIG. 4

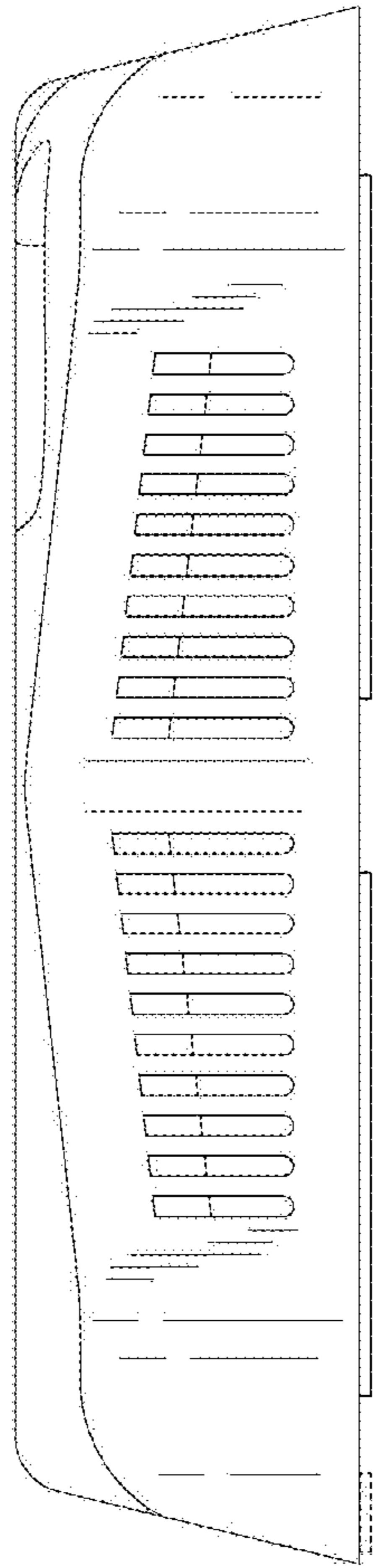


FIG. 5

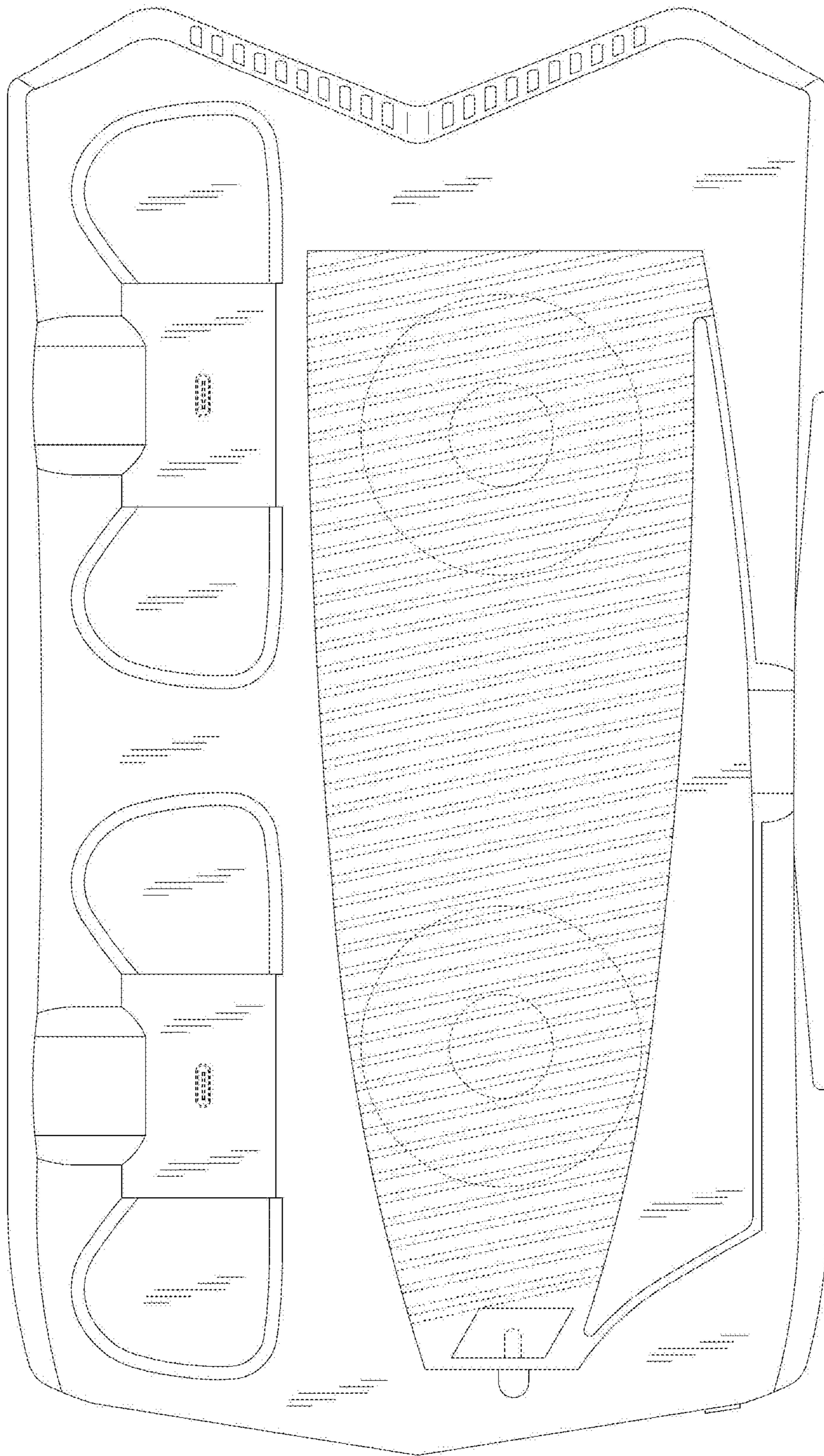


FIG. 6

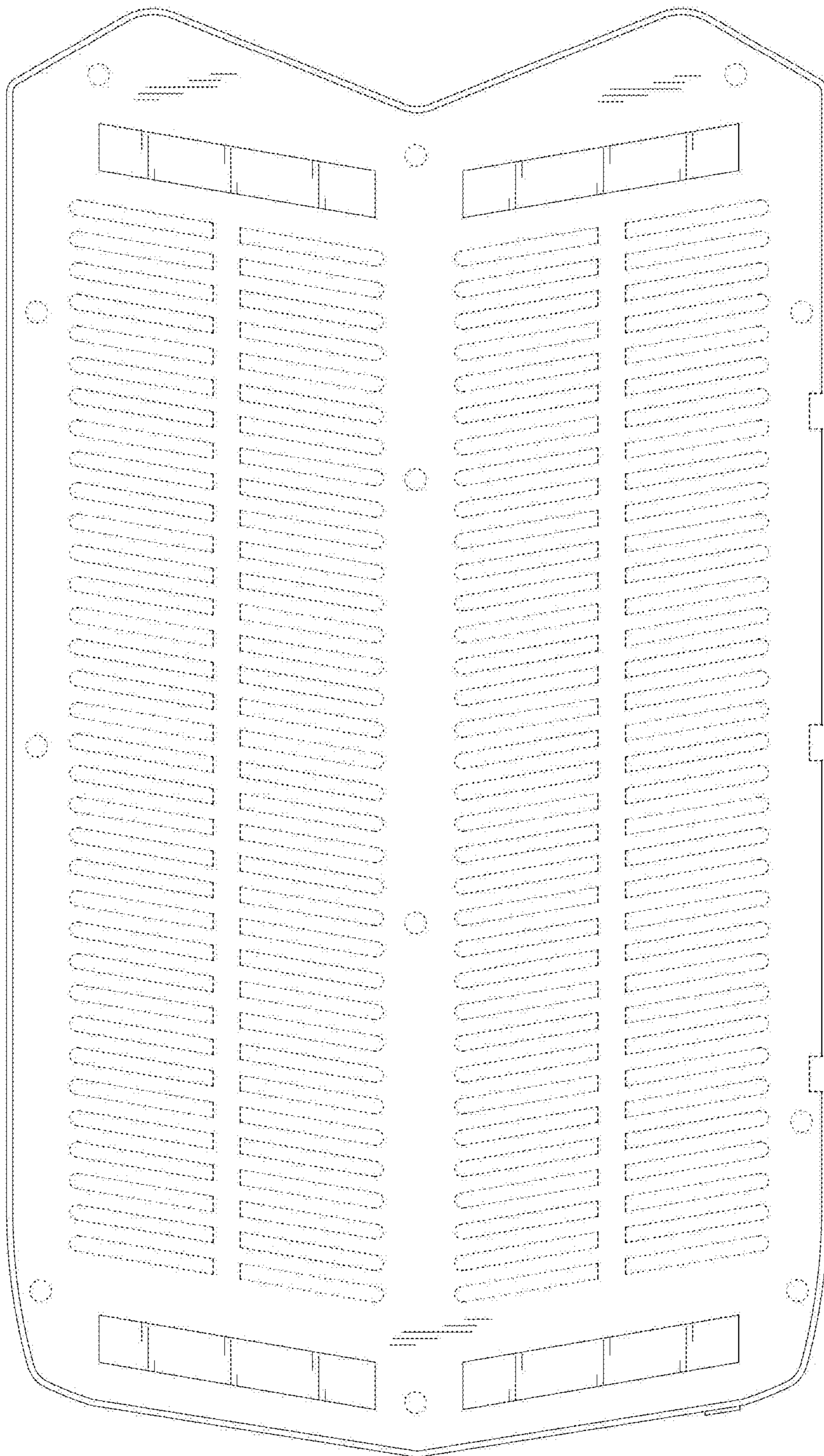


FIG. 7

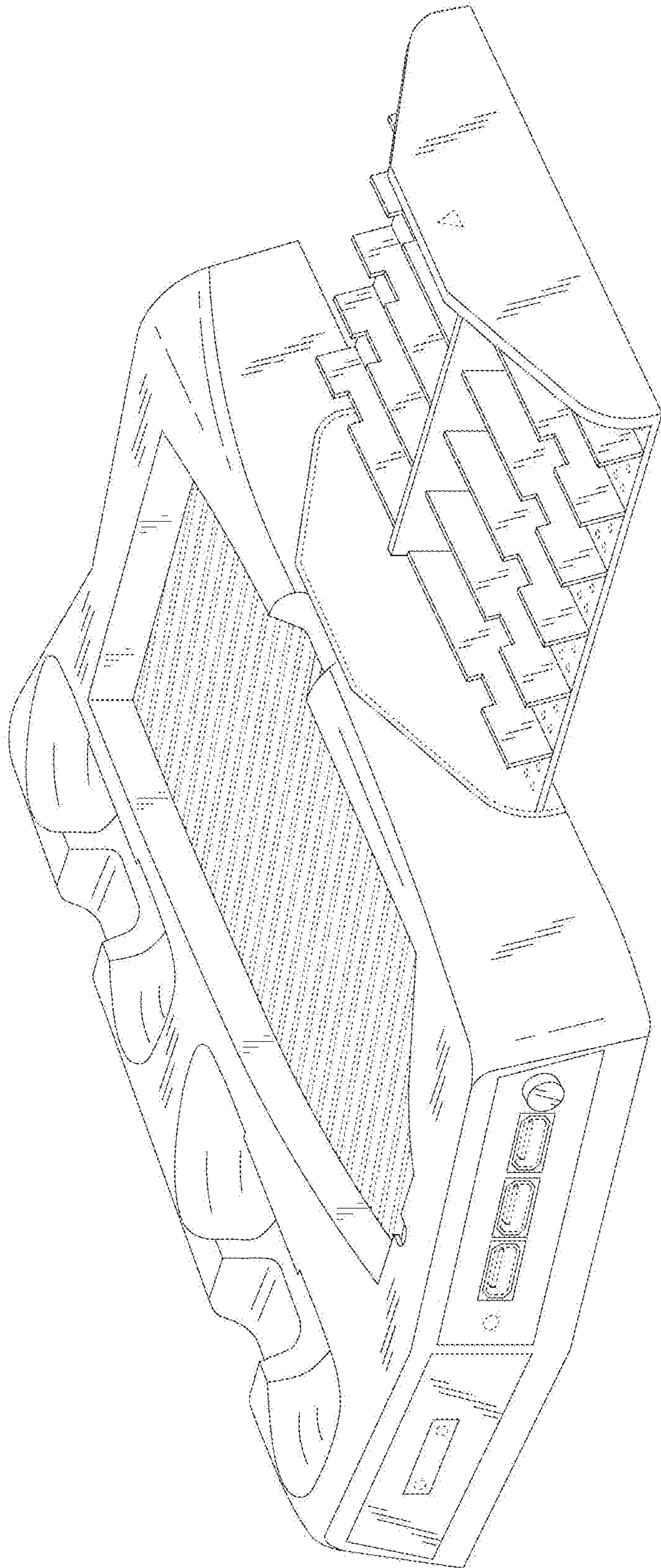


FIG. 8