



US00D946579S

(12) **United States Design Patent**
Tan

(10) **Patent No.:** **US D946,579 S**
(45) **Date of Patent:** **** Mar. 22, 2022**

- (54) **TABLET CASE**
- (71) Applicant: **Fengqin Tan**, Anqing (CN)
- (72) Inventor: **Fengqin Tan**, Anqing (CN)
- (**) Term: **15 Years**
- (21) Appl. No.: **29/780,765**
- (22) Filed: **Apr. 26, 2021**
- (51) **LOC (13) Cl.** **14-02**
- (52) **U.S. Cl.**
USPC **D14/440**
- (58) **Field of Classification Search**
USPC D14/440, 447, 250; 206/45.23, 320,
206/45.2; 361/679.55; 294/25; 224/218;
455/575.8
CPC ... G06F 1/1628; G06F 1/1626; A47B 23/044;
H04B 1/3888; A45C 11/00
See application file for complete search history.

- 2012/0104185 A1* 5/2012 Carroll F16M 11/041
248/27.1
- 2015/0009610 A1* 1/2015 London G06F 1/163
361/679.03
- 2017/0196327 A1* 7/2017 Ma H04B 1/3888
- * cited by examiner

Primary Examiner — Cynthia R Underwood

(57) **CLAIM**

The ornamental design for a tablet case, as shown and described.

DESCRIPTION

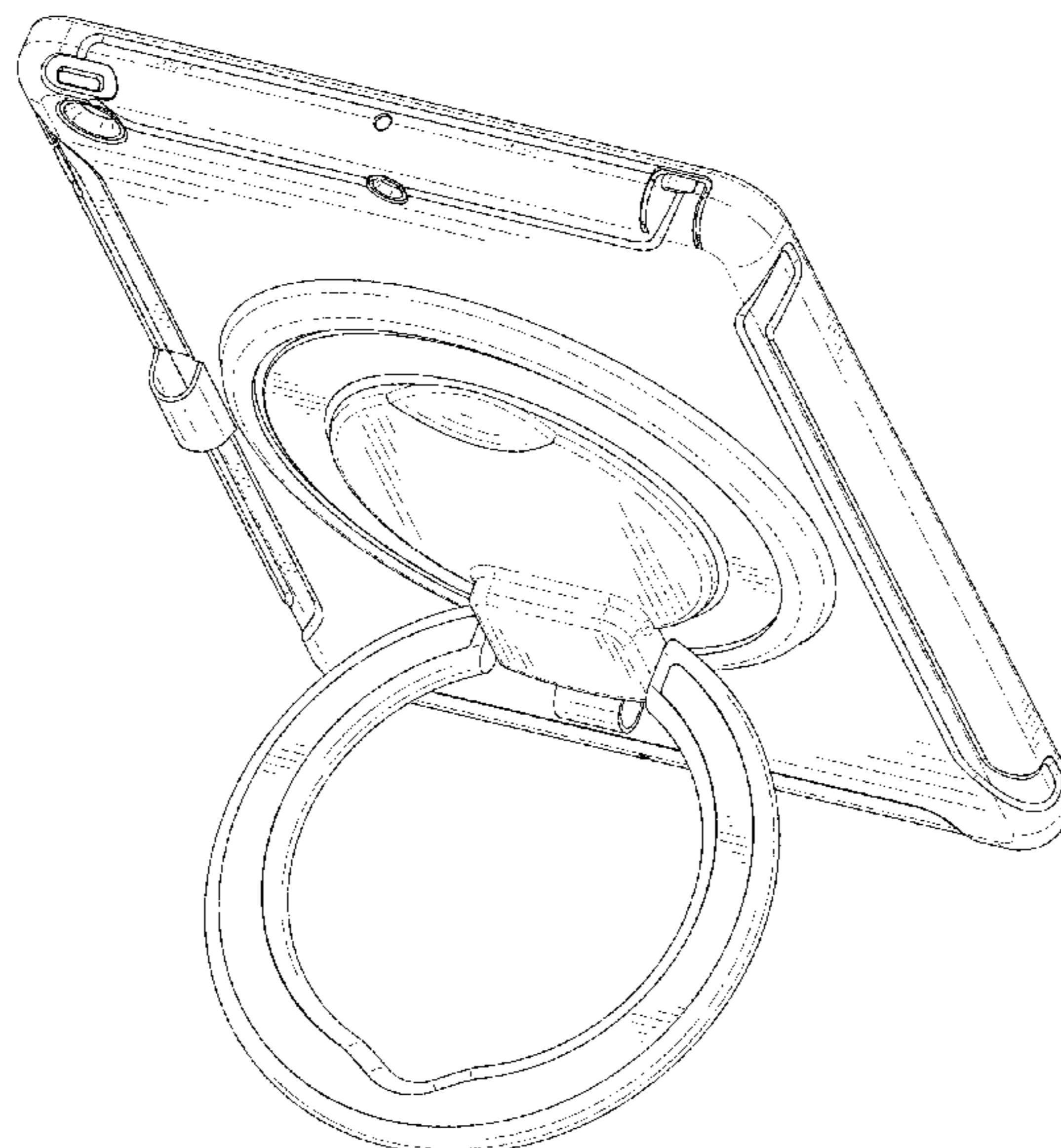
FIG. 1 is a perspective view of a first embodiment of a tablet case showing my new design;
 FIG. 2 is a front elevational view thereof;
 FIG. 3 is a rear elevational view thereof;
 FIG. 4 is a left side elevational view thereof;
 FIG. 5 is a right side elevational view thereof;
 FIG. 6 is a top plan view thereof;
 FIG. 7 is a bottom plan view thereof;
 FIG. 8 is a perspective view of the tablet case where the tablet case is in a first configuration of use;
 FIG. 9 is a perspective view of the tablet case where the tablet case is in a second configuration of use;
 FIG. 10 is a perspective view of a second embodiment of the tablet case showing my new design;
 FIG. 11 is a front elevational view thereof;
 FIG. 12 is a rear elevational view thereof;
 FIG. 13 is a left side elevational view thereof;
 FIG. 14 is a right side elevational view thereof;
 FIG. 15 is a top plan view thereof;
 FIG. 16 is a bottom plan view thereof;
 FIG. 17 is a perspective view of the tablet case where the tablet case is in a first configuration of use; and,
 FIG. 18 is a perspective view of the tablet case where the tablet case is in a second configuration of use.
 The broken lines in the drawings depict portions of the tablet case that form no part of the claimed design.

(56) **References Cited**

U.S. PATENT DOCUMENTS

- D660,305 S * 5/2012 Ho D14/447
- 9,074,725 B2 * 7/2015 Trotsky H05K 5/0204
- D747,321 S * 1/2016 London D14/440
- D797,108 S 9/2017 Liu
- D824,911 S * 8/2018 London D14/440
- D837,219 S * 1/2019 Gao D14/440
- D858,507 S * 9/2019 Jang D14/251
- D868,072 S 11/2019 Lei
- D874,454 S * 2/2020 Lederer D14/253
- D883,987 S * 5/2020 Cheng D14/440
- D897,348 S * 9/2020 Liao D14/440
- D898,036 S * 10/2020 Cheng D14/440
- D906,337 S * 12/2020 Cheng D14/440
- D912,282 S * 3/2021 Kim D14/447
- D917,491 S * 4/2021 Cheng D14/440
- D937,275 S * 11/2021 Cheng D14/440
- 2010/0123062 A1 * 5/2010 Jones F16M 13/02
248/222.14

1 Claim, 18 Drawing Sheets



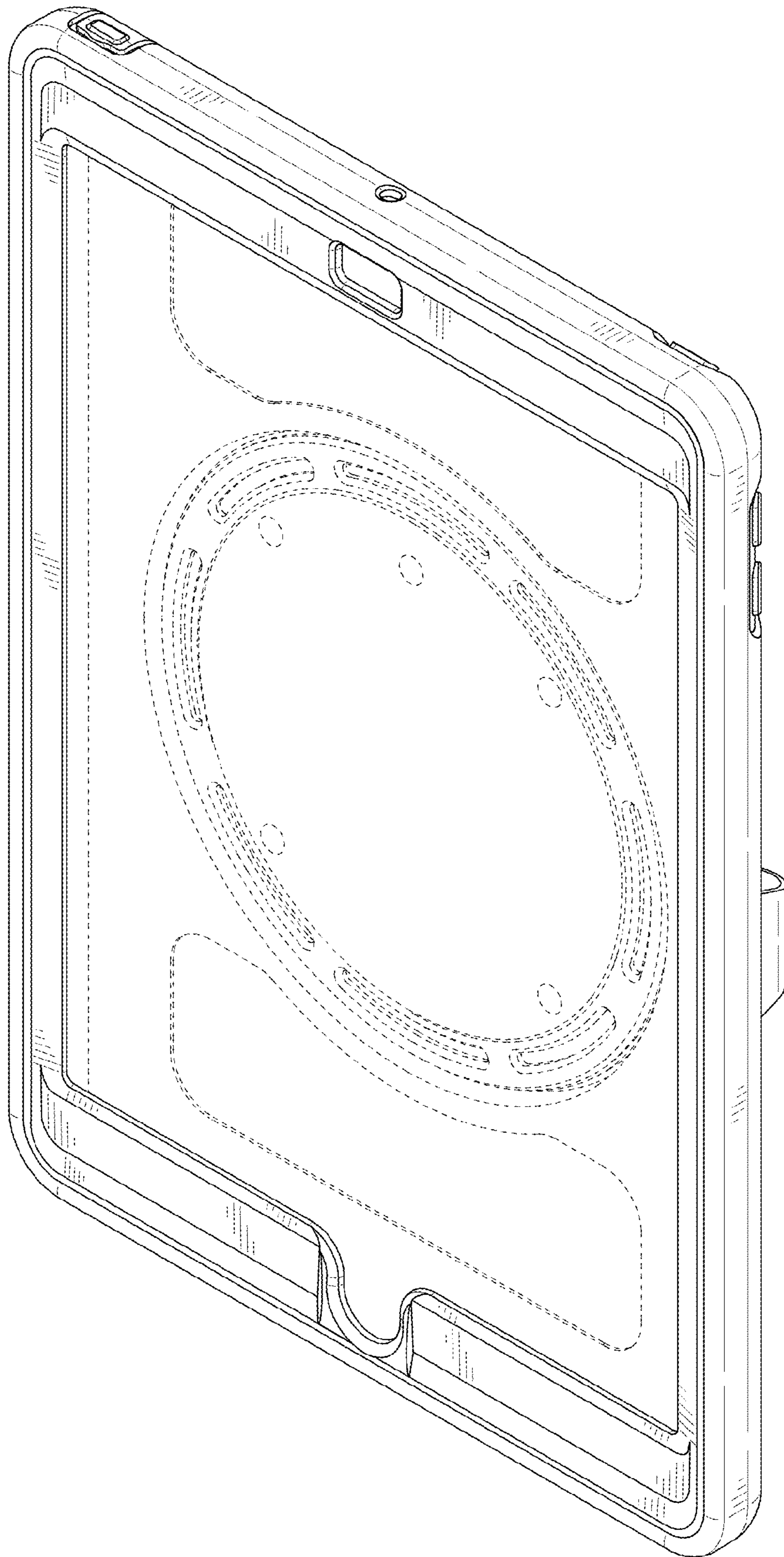


FIG. 1

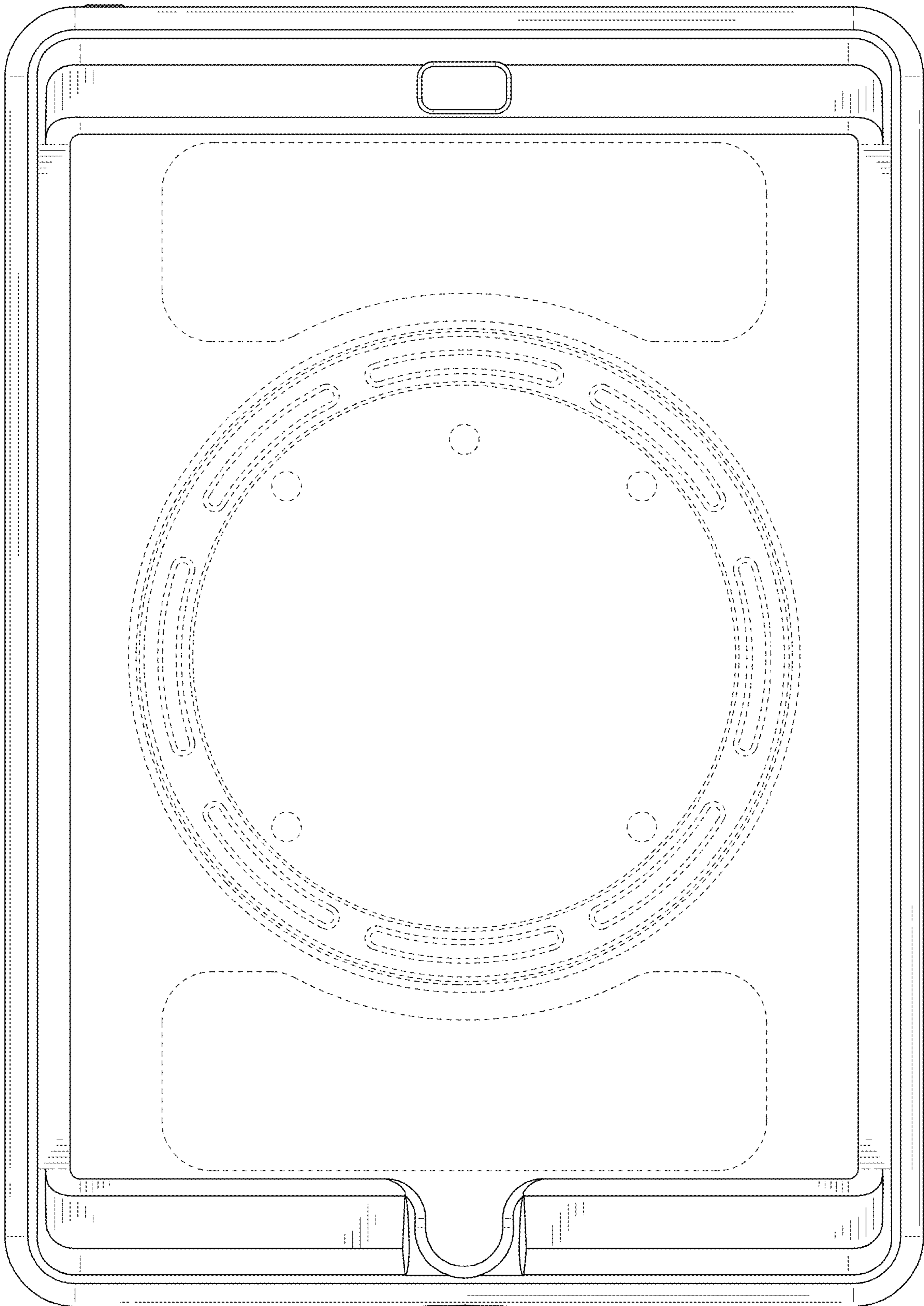


FIG. 2

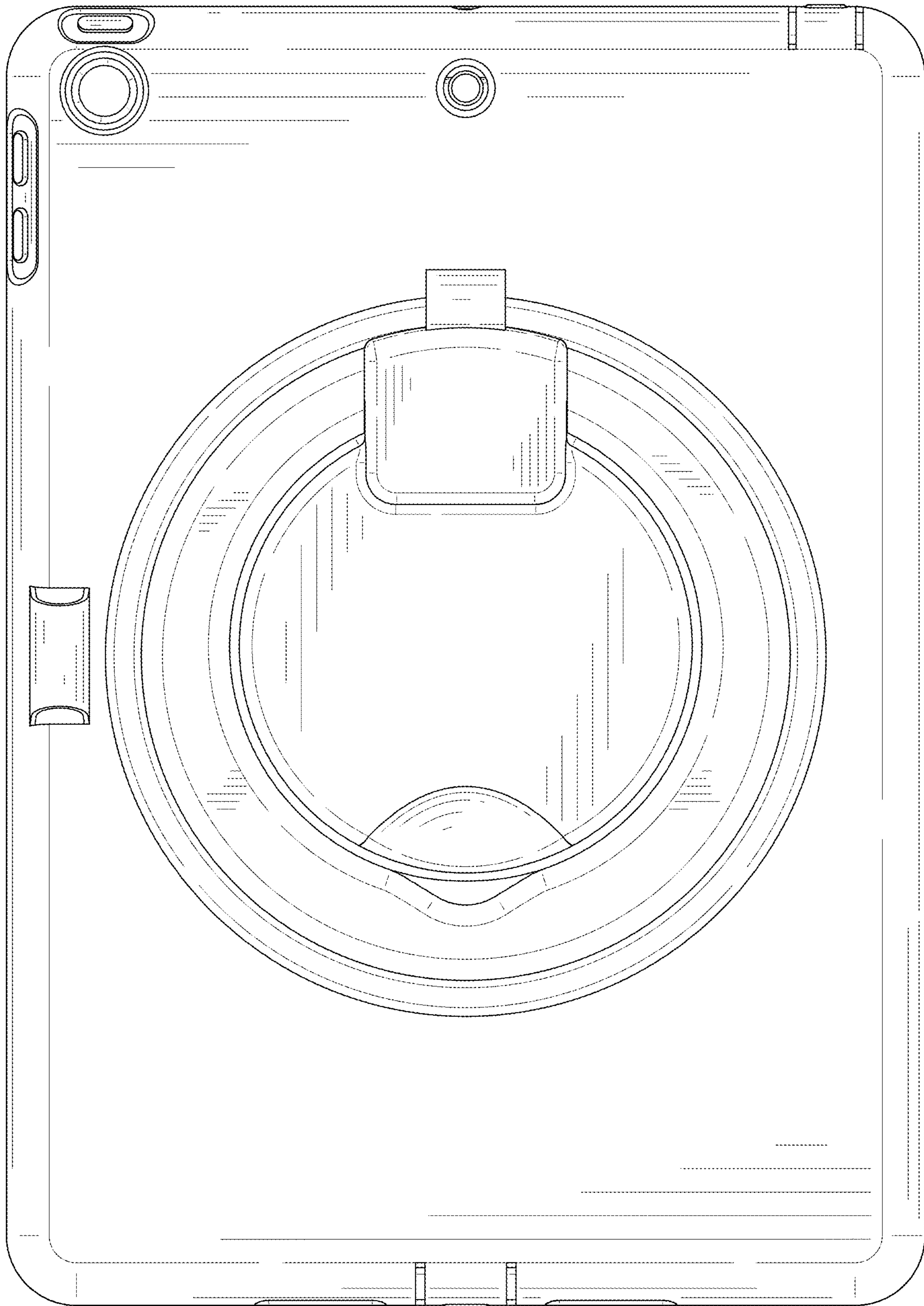


FIG. 3

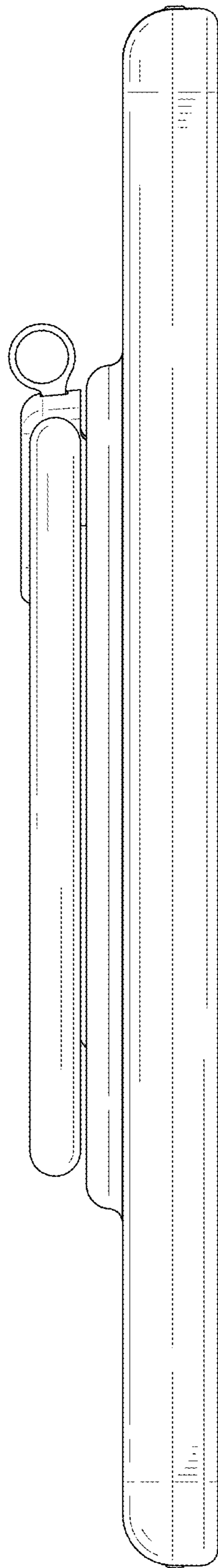


FIG. 4

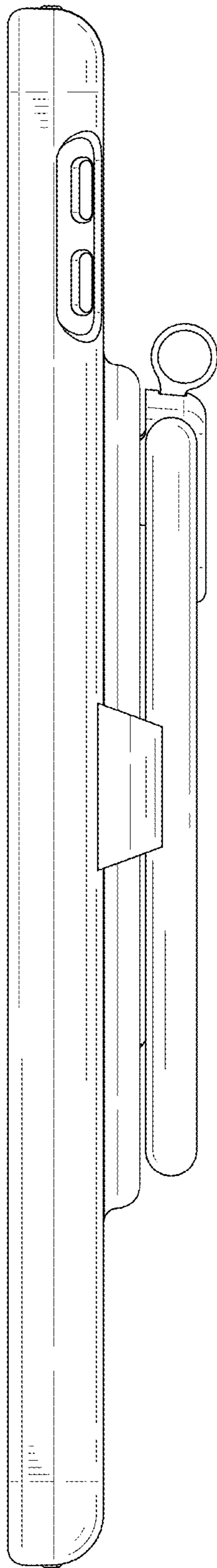


FIG. 5

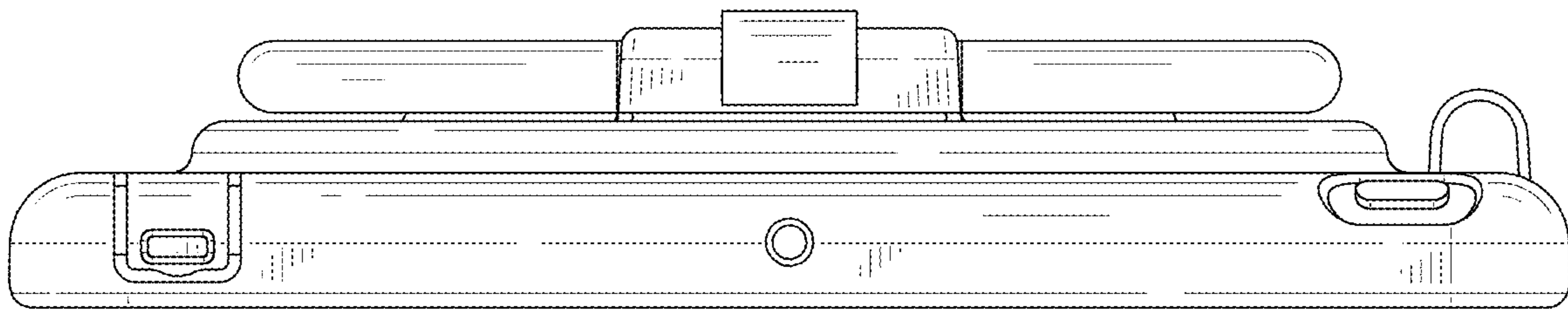


FIG. 6

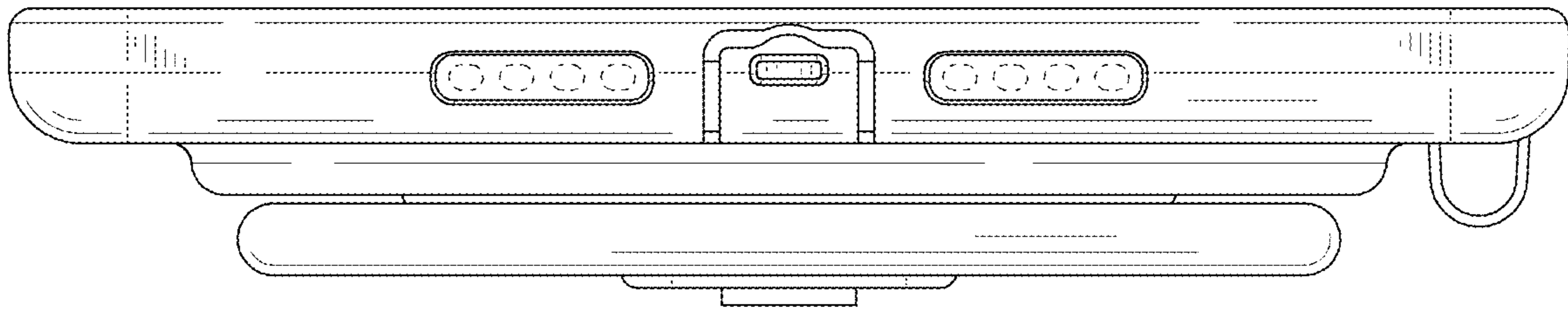


FIG. 7

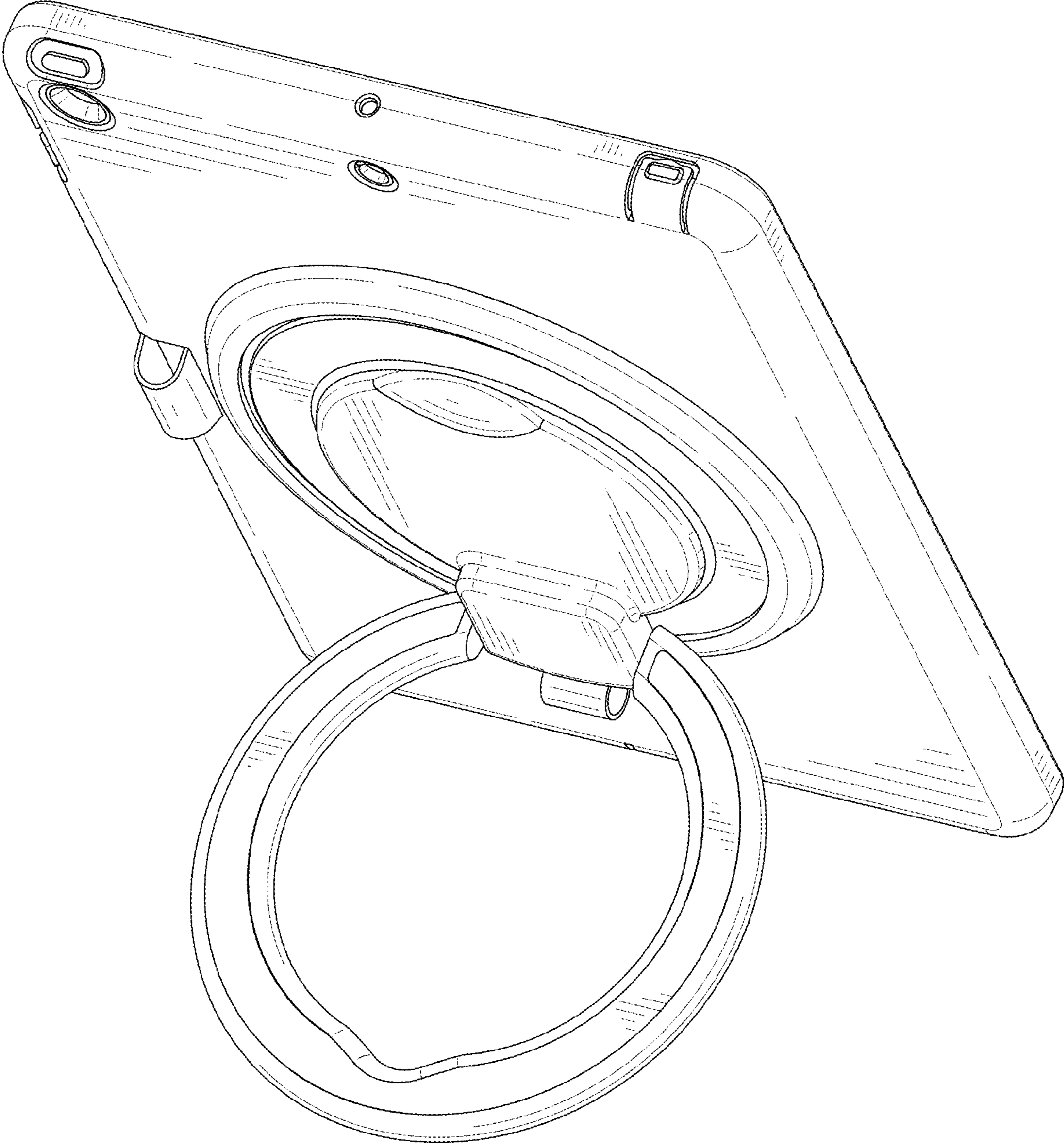


FIG. 8

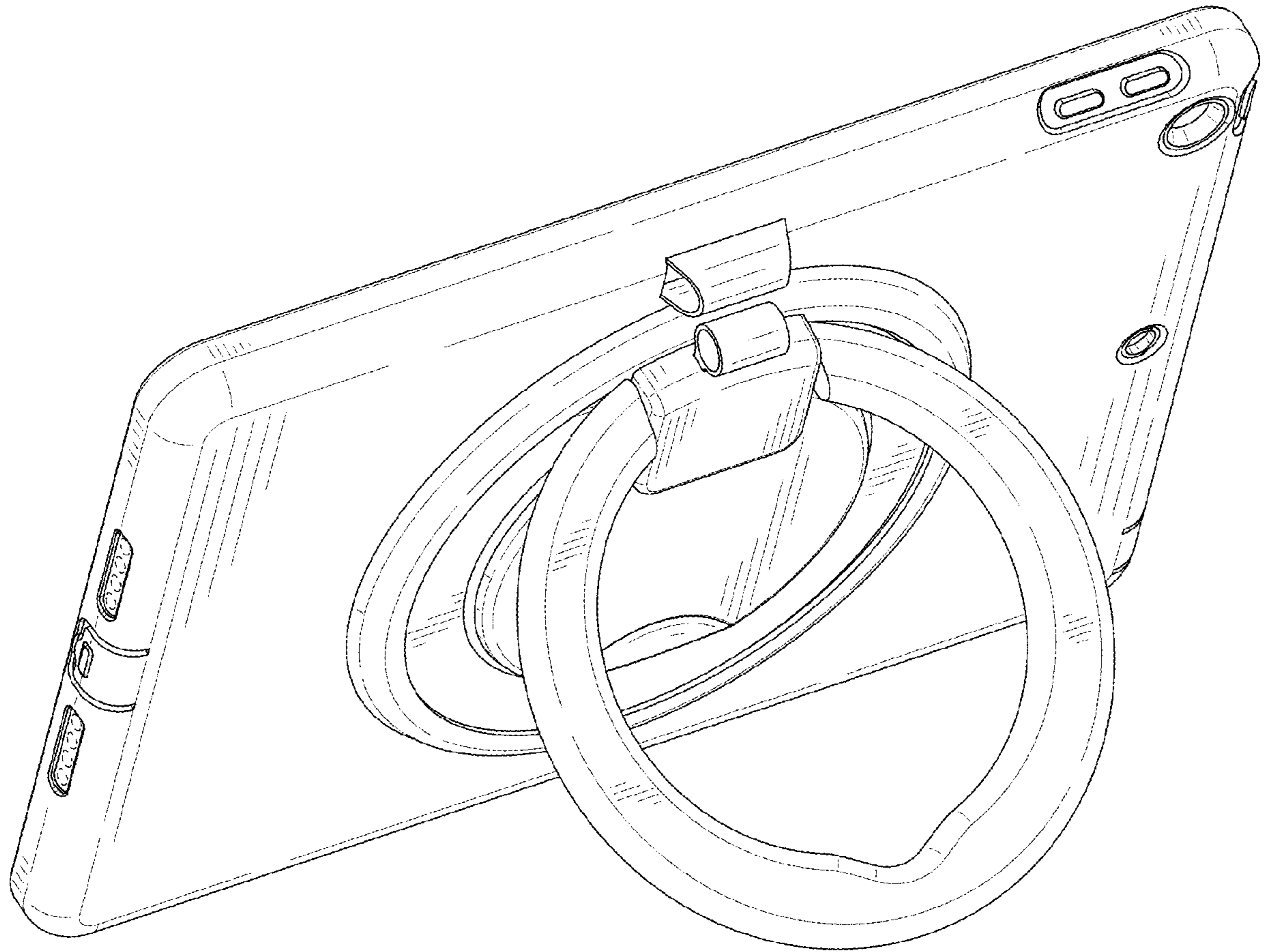


FIG. 9

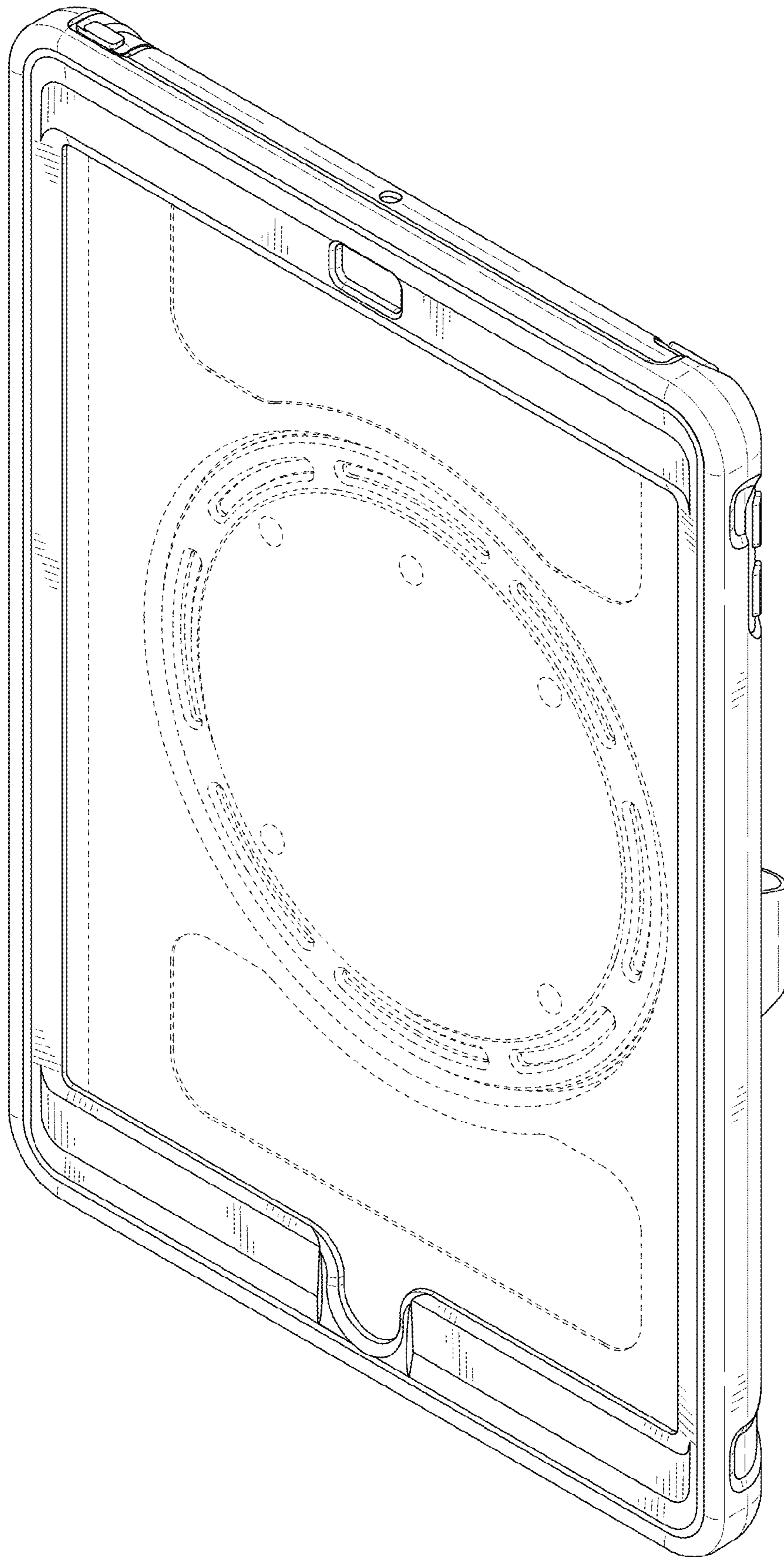


FIG. 10

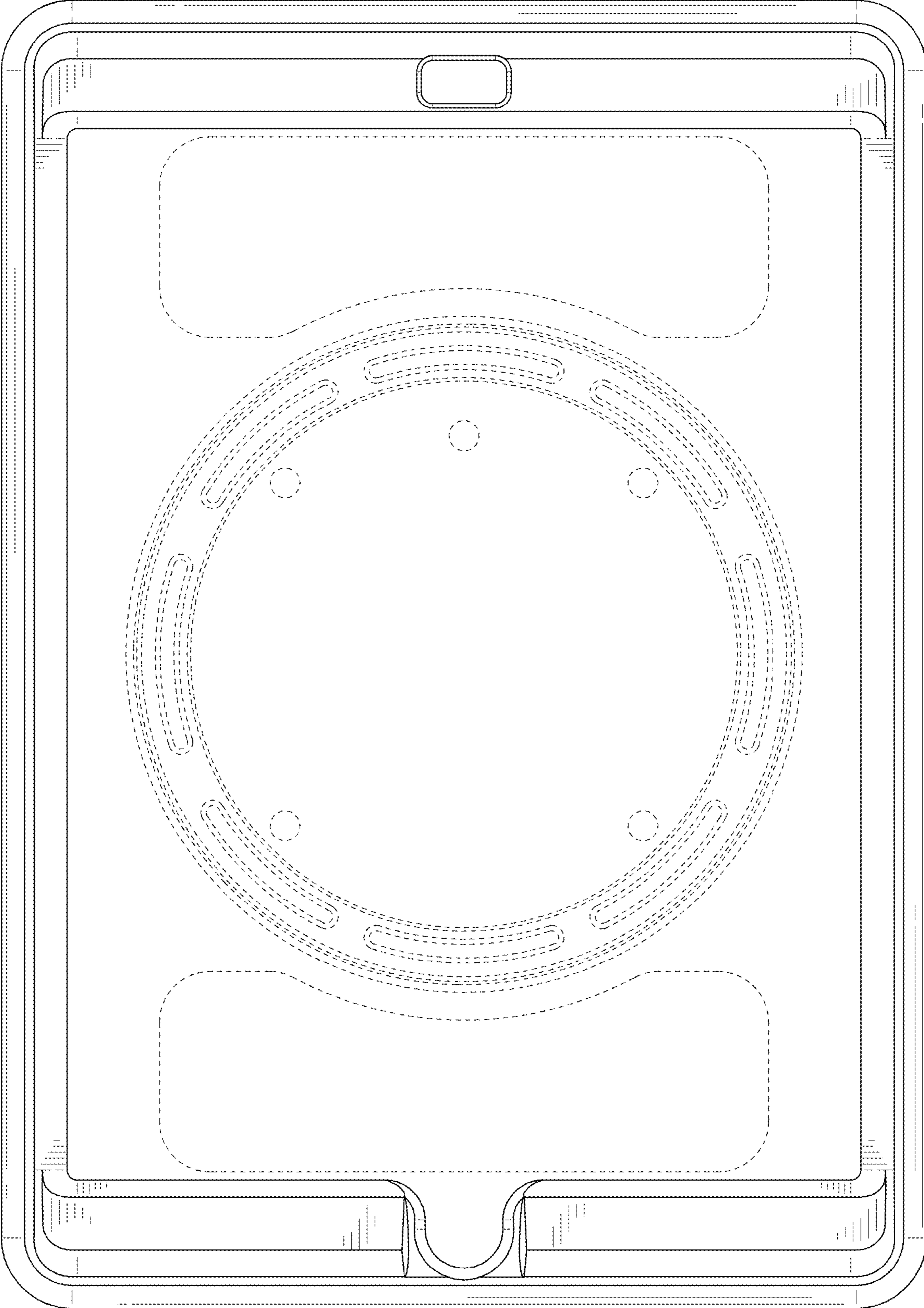


FIG. 11

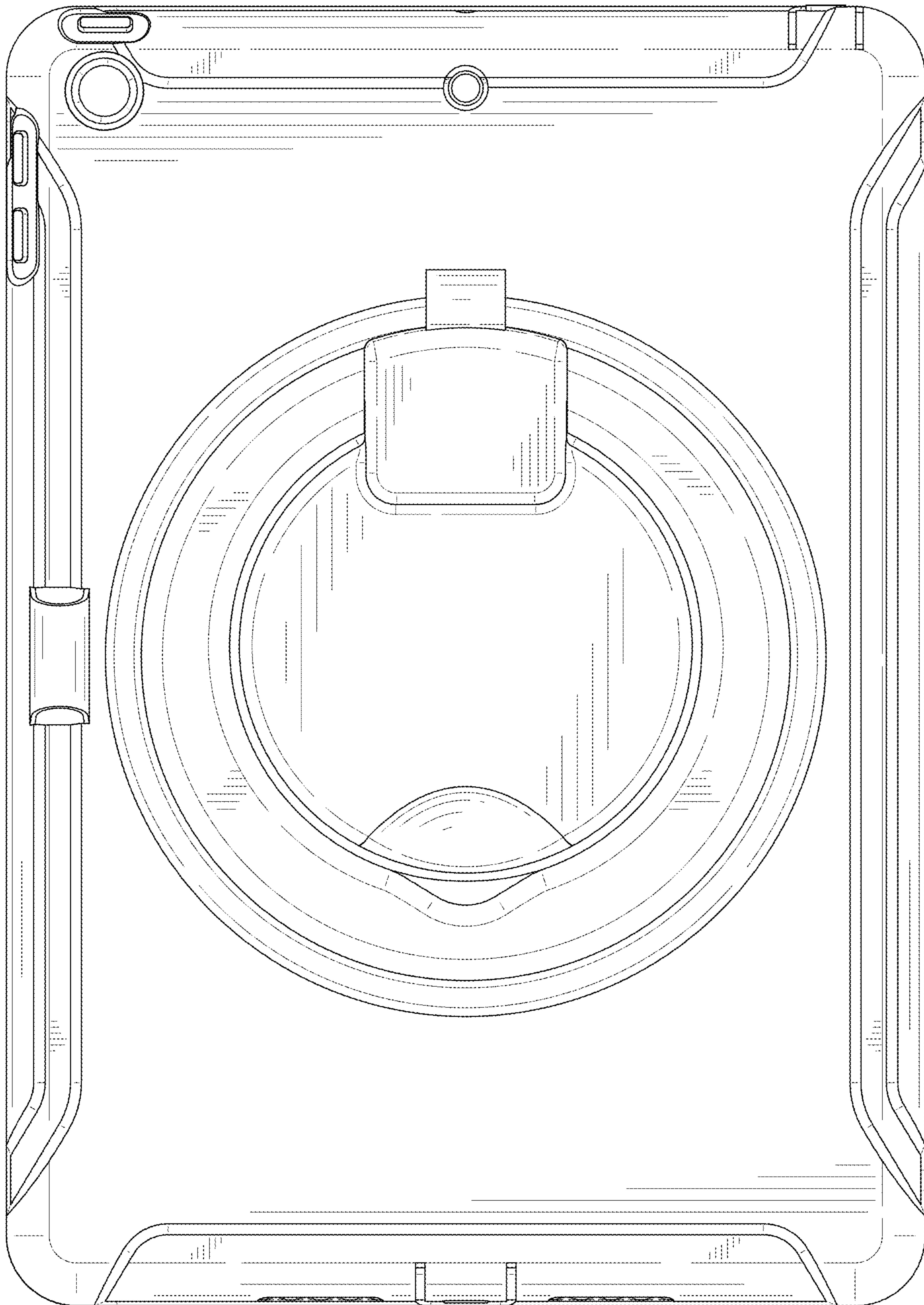


FIG. 12

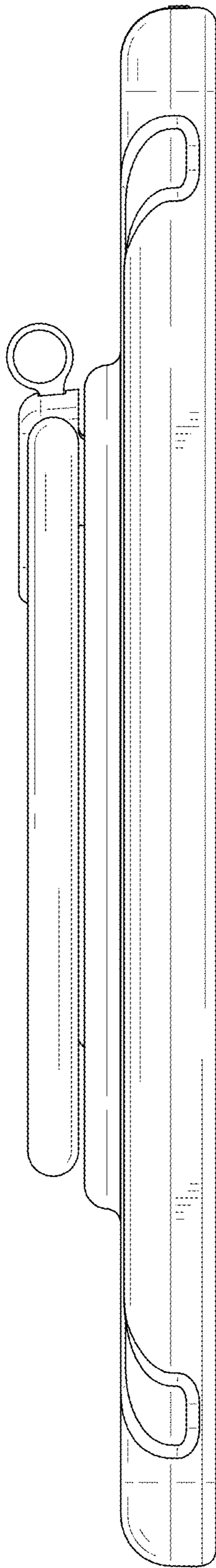


FIG. 13

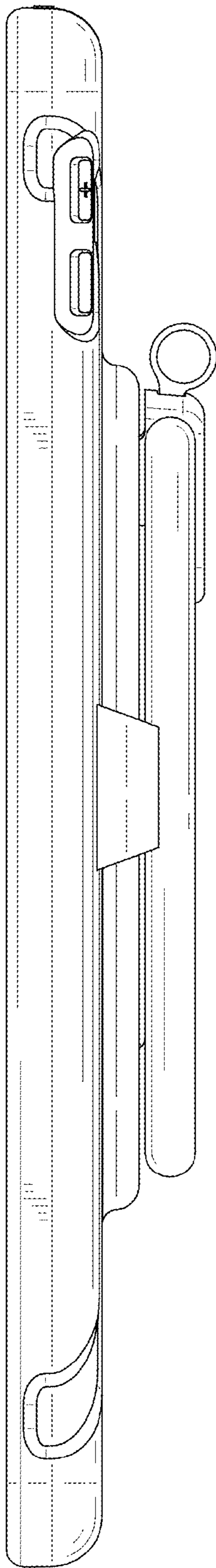


FIG. 14

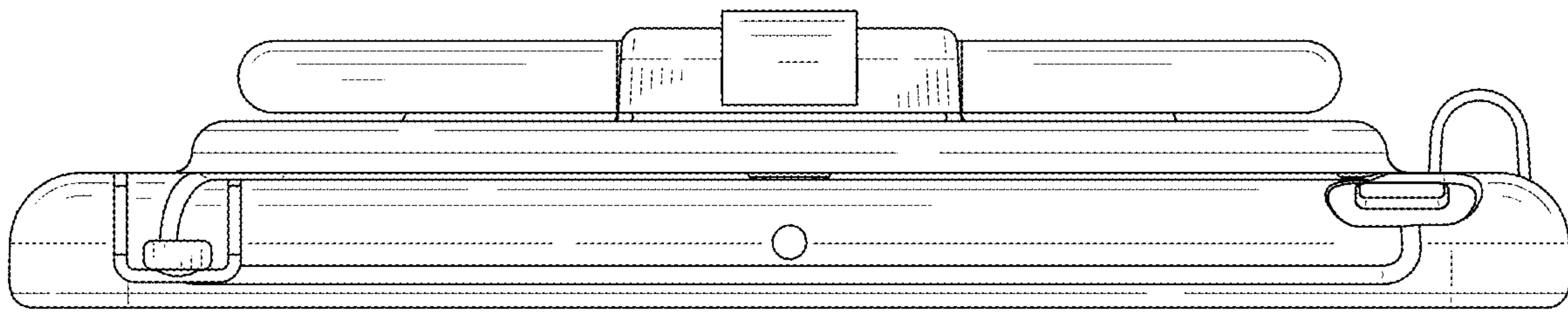


FIG. 15

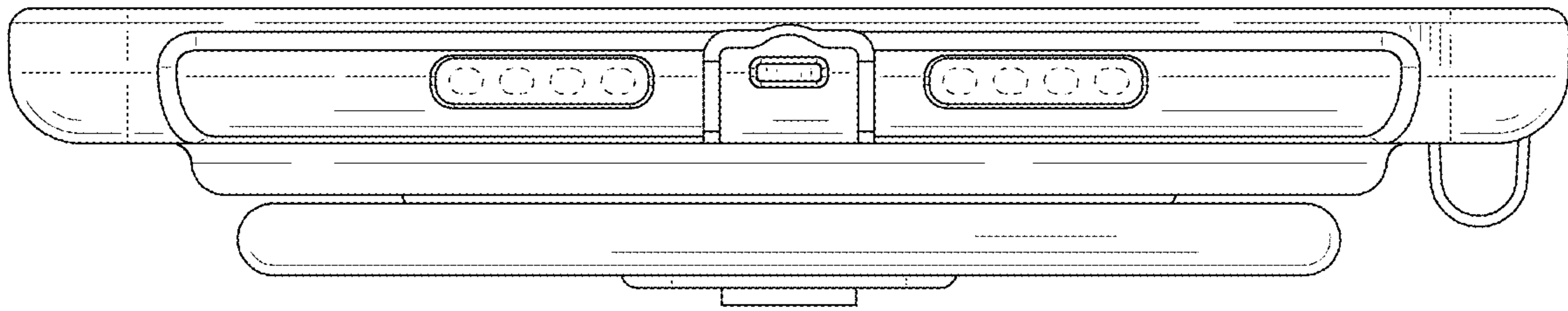


FIG. 16

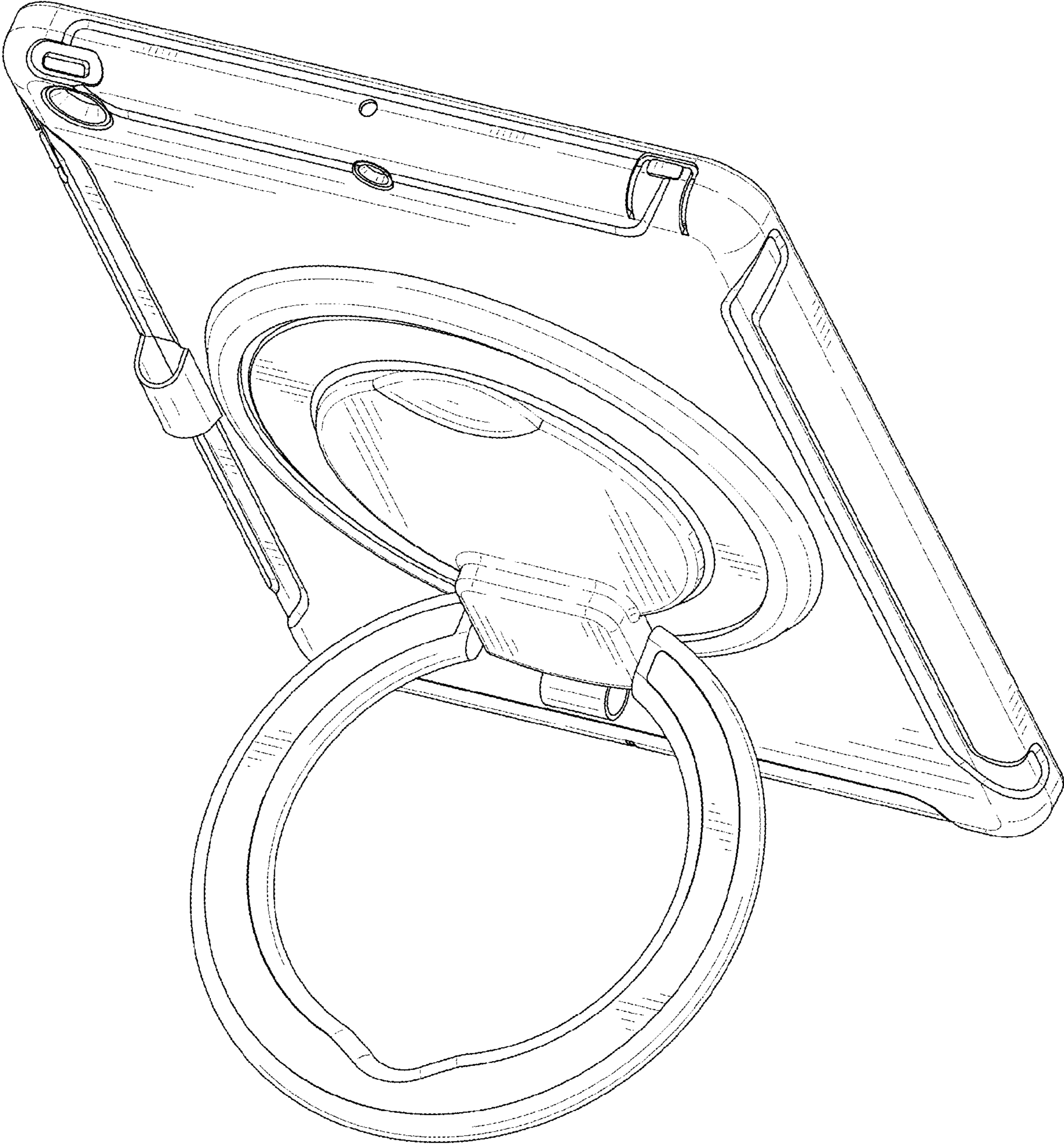


FIG. 17

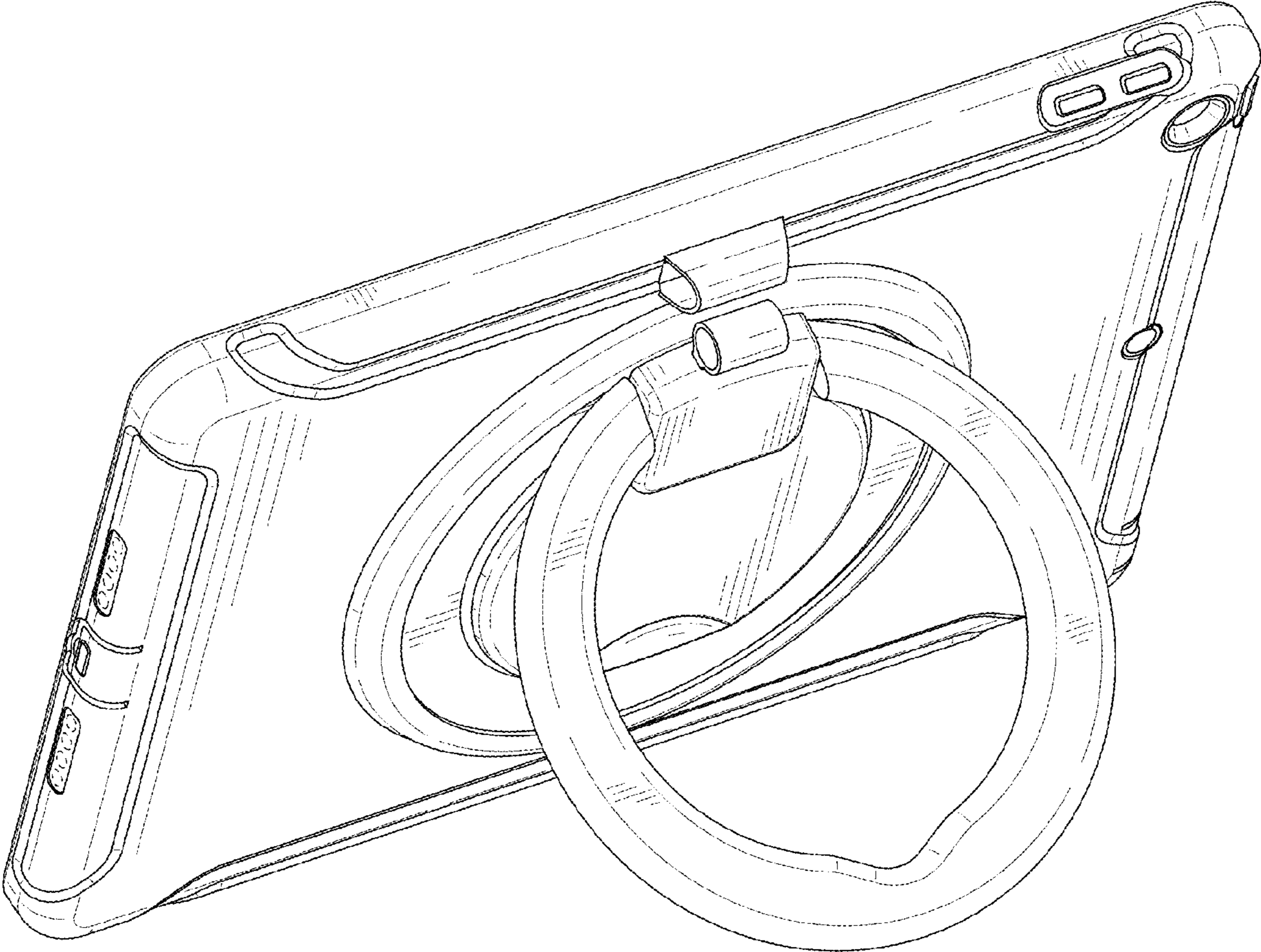


FIG. 18