



US00D946578S

(12) **United States Design Patent**
Cheng

(10) **Patent No.:** **US D946,578 S**

(45) **Date of Patent:** **** Mar. 22, 2022**

(54) **TABLET CASE**

(71) Applicant: **Ganhua Cheng**, Anqing (CN)

(72) Inventor: **Ganhua Cheng**, Anqing (CN)

(**) Term: **15 Years**

(21) Appl. No.: **29/780,763**

(22) Filed: **Apr. 26, 2021**

(51) **LOC (13) Cl.** **14-02**

(52) **U.S. Cl.**
USPC **D14/440**

(58) **Field of Classification Search**
USPC D14/440, 447, 250; 206/45.23, 320,
206/45.2; 361/679.55; 294/25; 224/218;
D3/294; D9/420
CPC G06F 1/1628; G06F 1/1626; A47B 23/044
See application file for complete search history.

(56) **References Cited**

U.S. PATENT DOCUMENTS

D660,305 S *	5/2012	Ho	D14/447
D674,803 S *	1/2013	Westrup	A45C 3/02
				D14/440
9,074,725 B2 *	7/2015	Trotsky	H05K 5/0204
D747,321 S *	1/2016	London	D14/440
D821,405 S *	6/2018	Chen	D14/440
D824,393 S	7/2018	Charlesworth et al.		
D824,911 S *	8/2018	London	D14/440
D837,219 S *	1/2019	Gao	D14/440
D858,507 S *	9/2019	Jang	D14/251
D863,312 S	10/2019	Liu		
D874,454 S *	2/2020	Lederer	D14/253
D883,987 S *	5/2020	Cheng	D14/440
D886,109 S *	6/2020	Li	D14/440
D897,348 S *	9/2020	Liao	D14/440
D898,036 S *	10/2020	Cheng	D14/440
D906,337 S *	12/2020	Cheng	D14/440
D912,282 S *	3/2021	Kim	D14/447
D917,491 S *	4/2021	Cheng	D14/440

D928,166 S *	8/2021	Hu	D14/440
D928,230 S *	8/2021	Li	D19/113
2010/0123062 A1 *	5/2010	Jones	F16M 13/02
				248/222.14
2012/0104185 A1 *	5/2012	Carroll	F16M 11/041
				248/27.1
2015/0009610 A1 *	1/2015	London	G06F 1/163
				361/679.03
2017/0097698 A1 *	4/2017	Maeshima	G06F 3/03545
2017/0196327 A1 *	7/2017	Ma	H04B 1/3888

* cited by examiner

Primary Examiner — Cynthia R Underwood

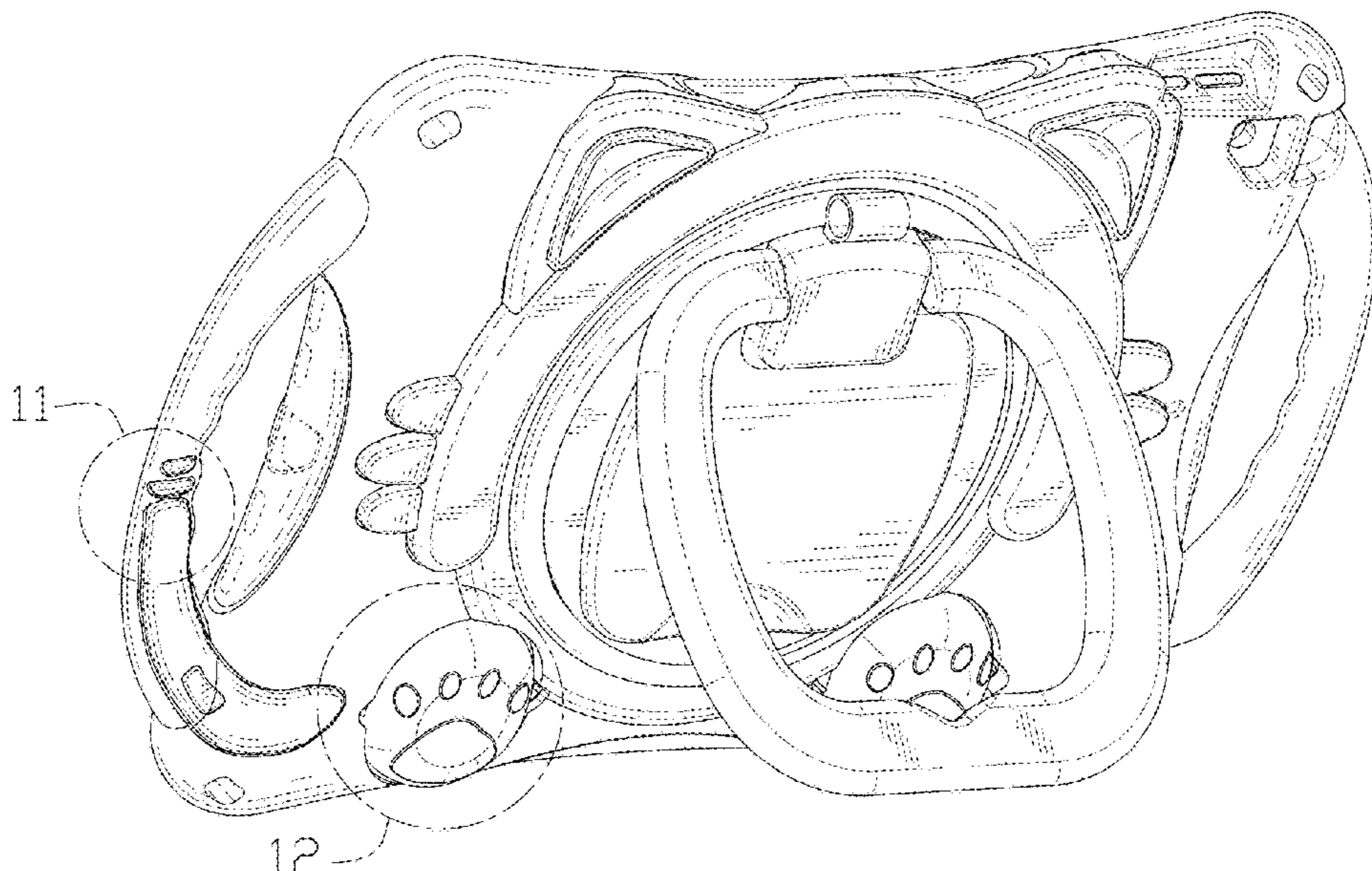
(57) **CLAIM**

The ornamental design for a tablet case, as shown and described.

DESCRIPTION

FIG. 1 is a perspective view of a tablet case showing my new design;
 FIG. 2 is a front elevational view thereof;
 FIG. 3 is a rear elevational view thereof;
 FIG. 4 is a left side elevational view thereof;
 FIG. 5 is a right side elevational view thereof;
 FIG. 6 is a top plan view thereof;
 FIG. 7 is a bottom plan view thereof;
 FIG. 8 is a perspective view of the tablet case where the tablet case is in a first configuration of use;
 FIG. 9 is a perspective view of the tablet case where the tablet case is in a second configuration of use;
 FIG. 10 is a rear elevational view of the tablet case where the tablet case is in a third configuration of use;
 FIG. 11 is an enlarged view of portion 11 shown in FIG. 8;
 and,
 FIG. 12 is an enlarged view of portion 12 shown in FIG. 8.
 The broken lines in the drawings depict portions of the tablet case that form no part of the claimed design.

1 Claim, 12 Drawing Sheets



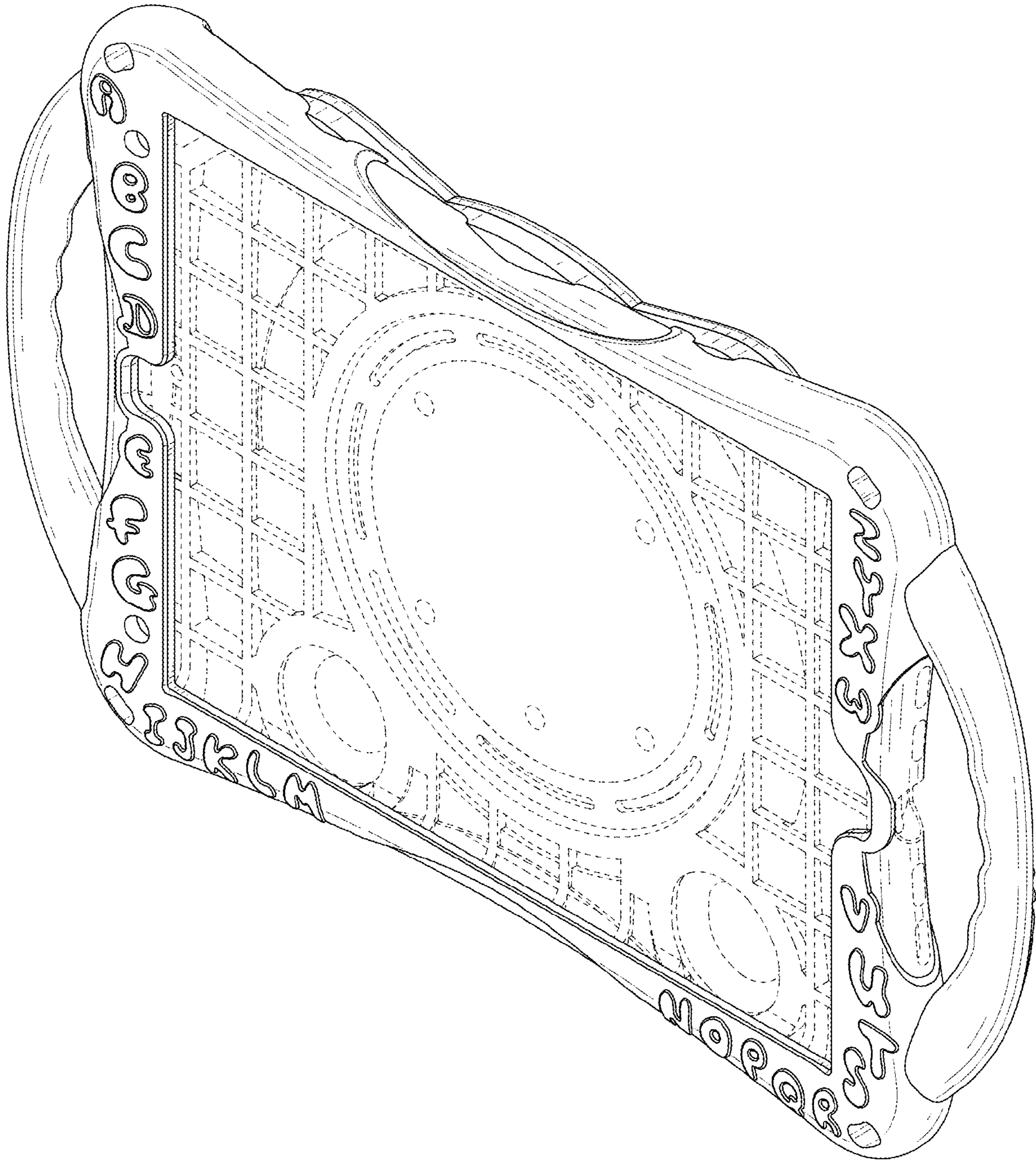


FIG. 1

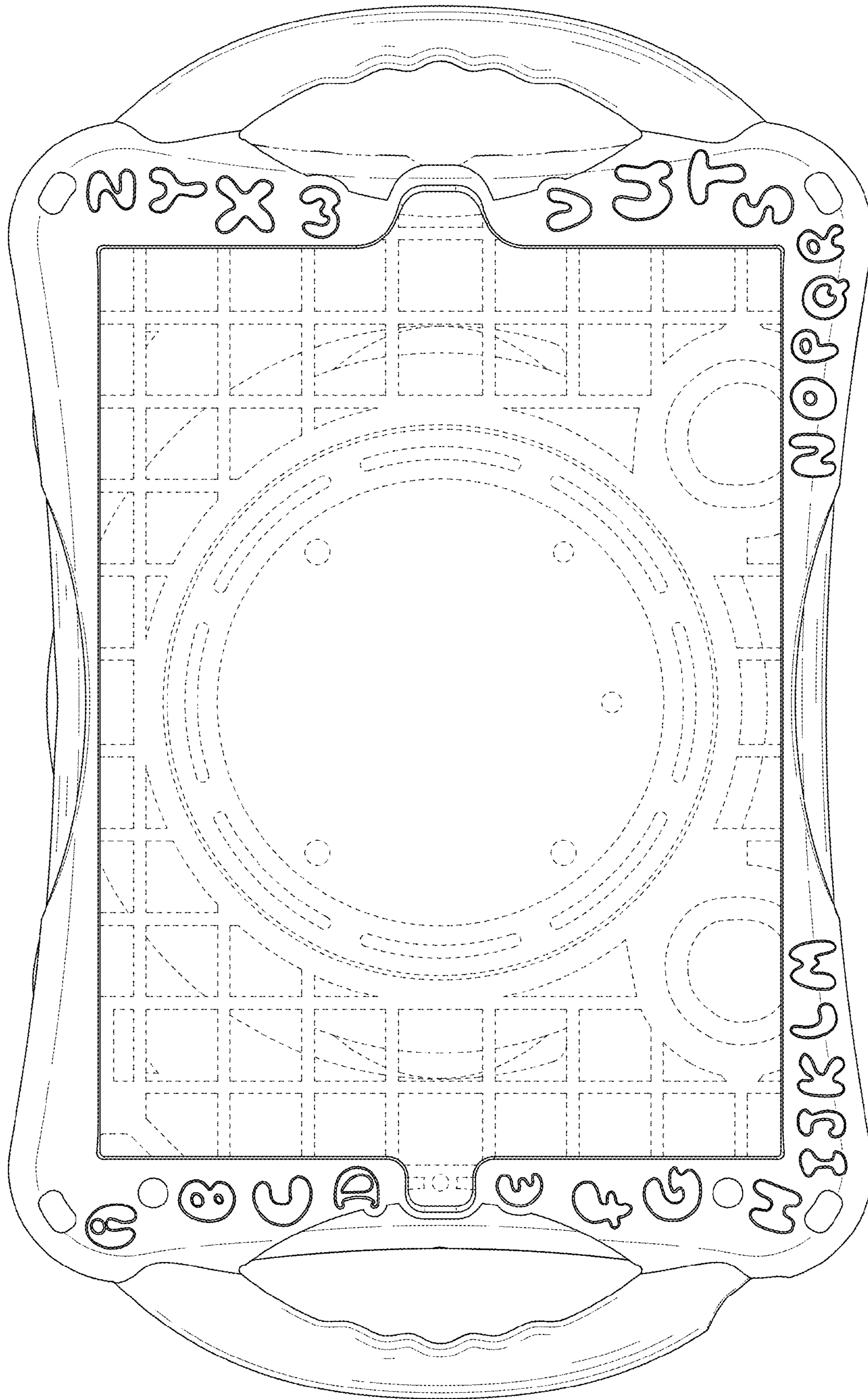


FIG. 2

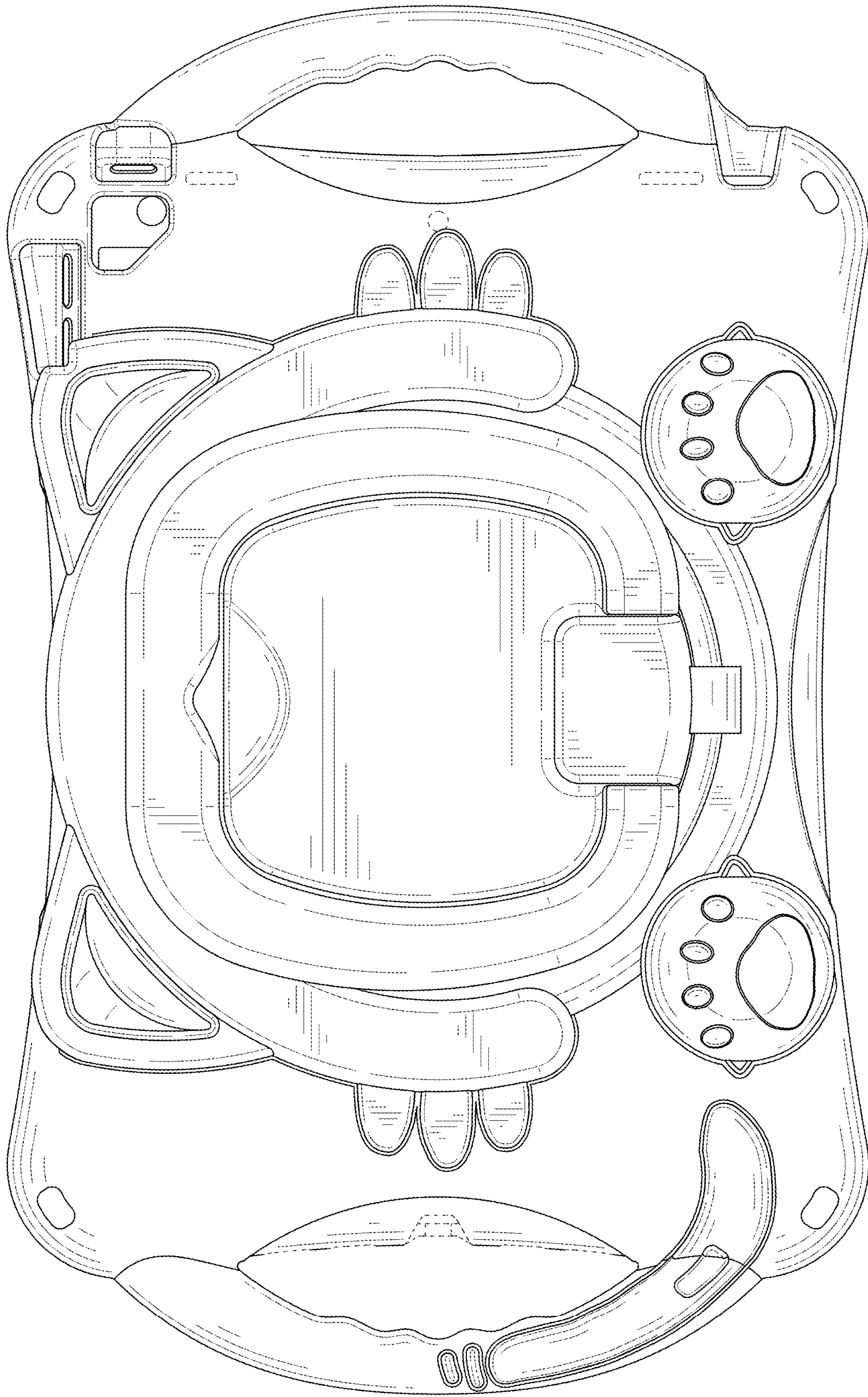


FIG. 3

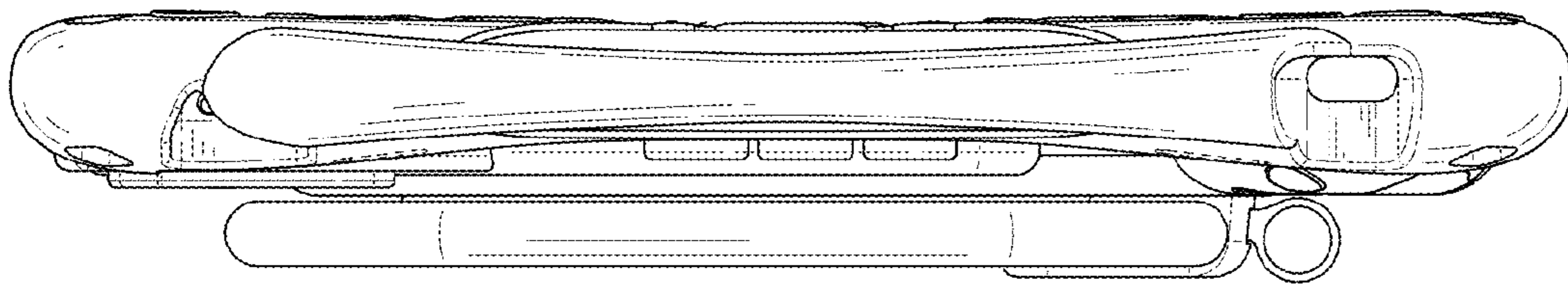


FIG. 4

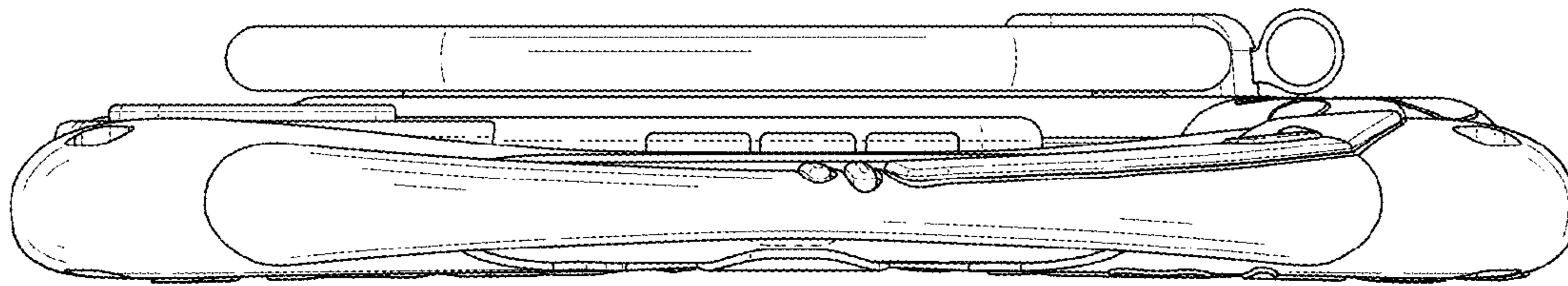


FIG. 5

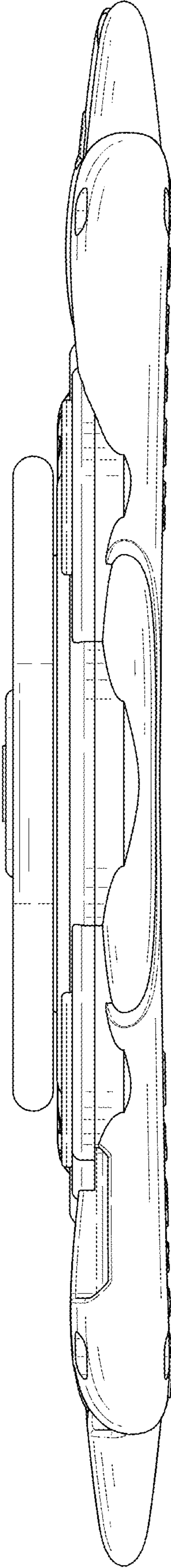


FIG. 6

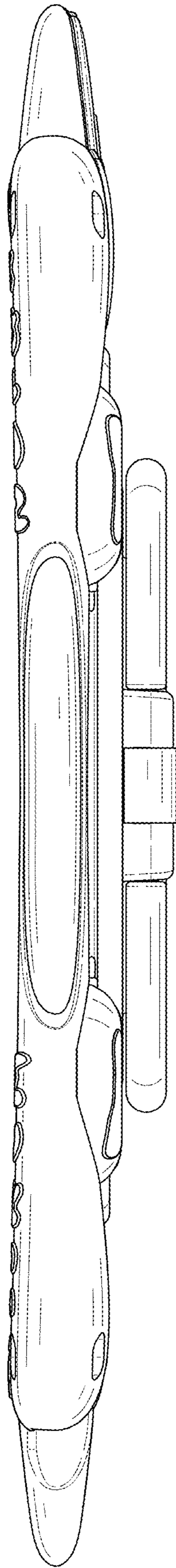


FIG. 7

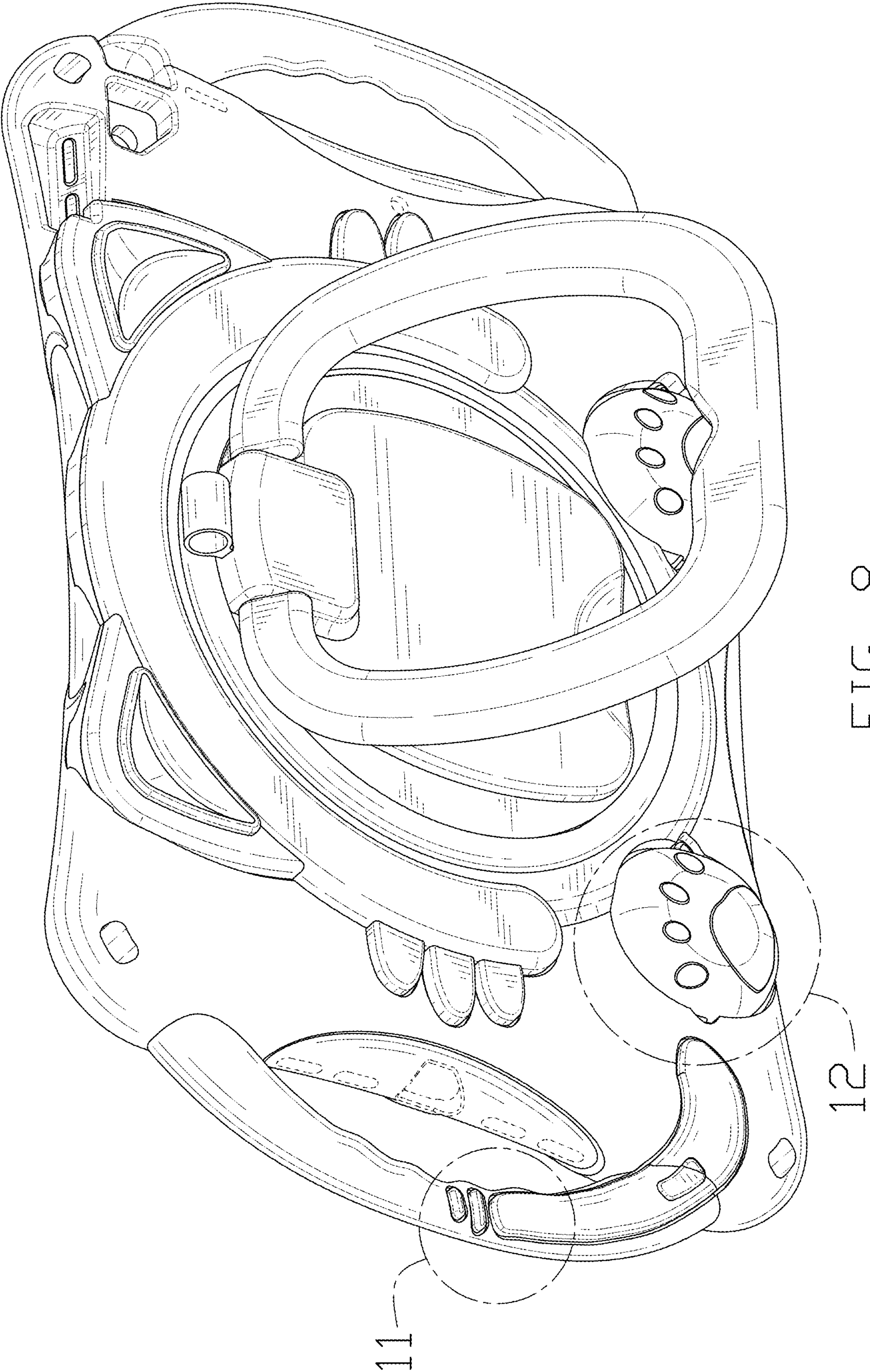


FIG. 8

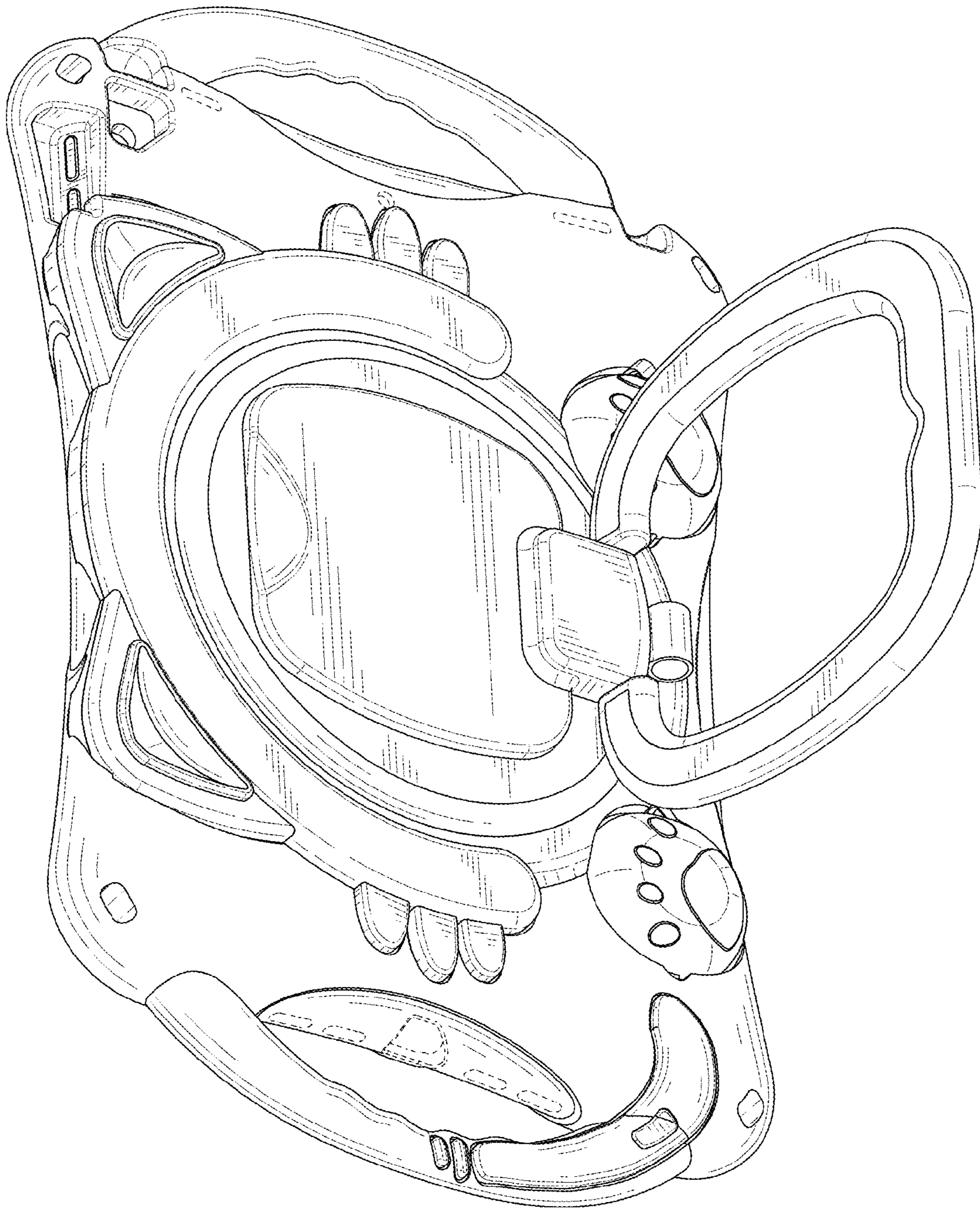


FIG. 9

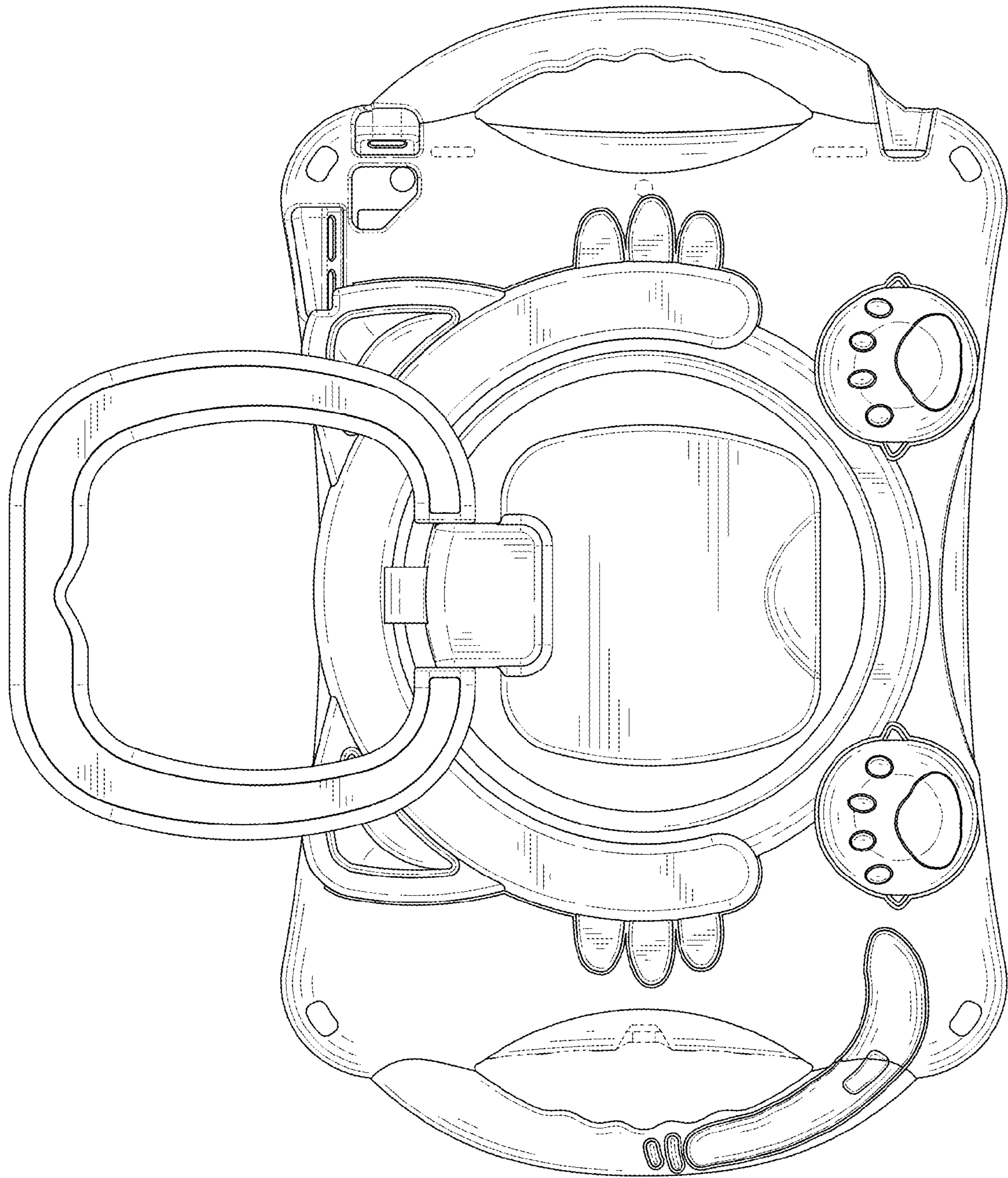


FIG. 10

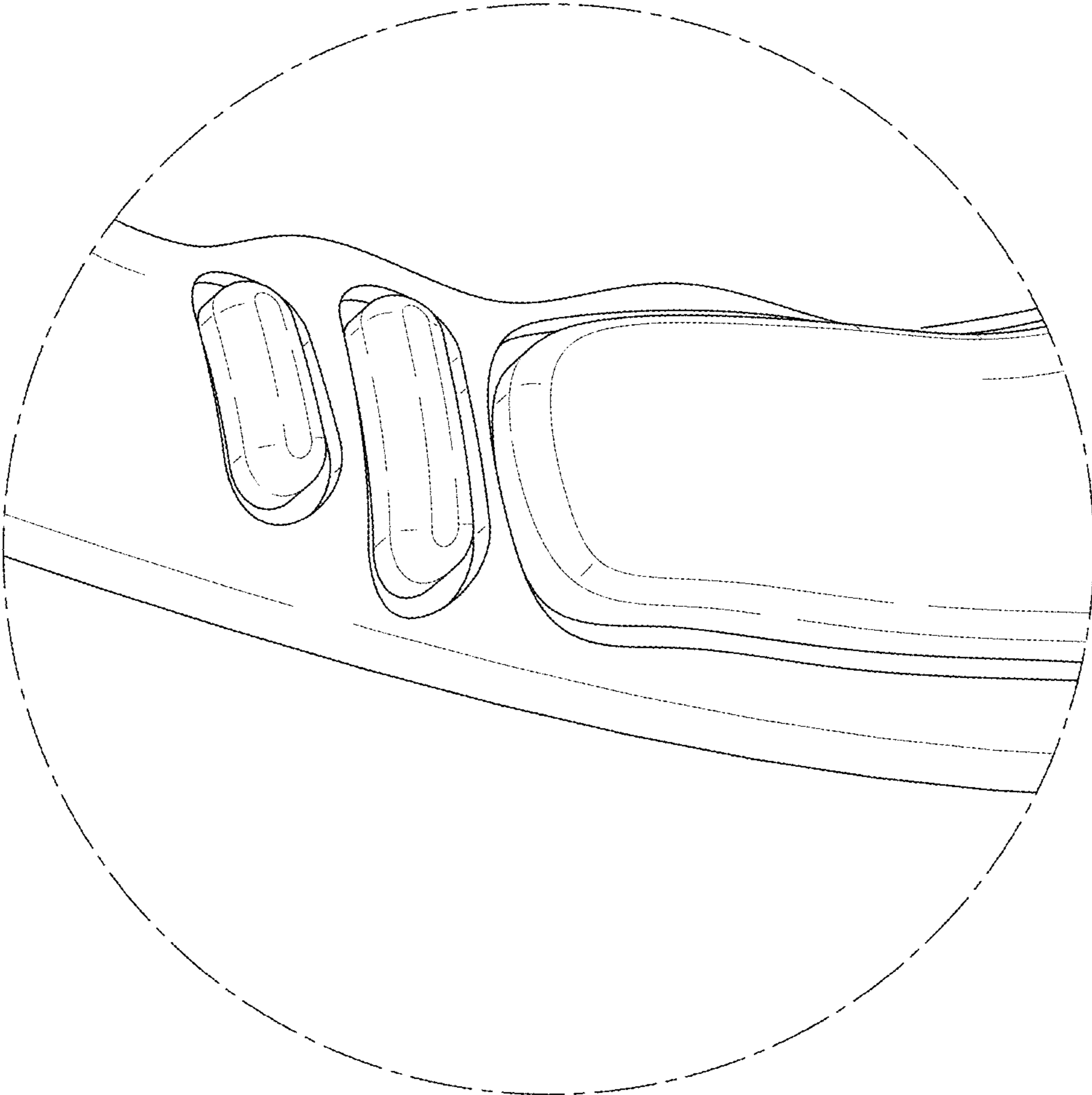


FIG. 11

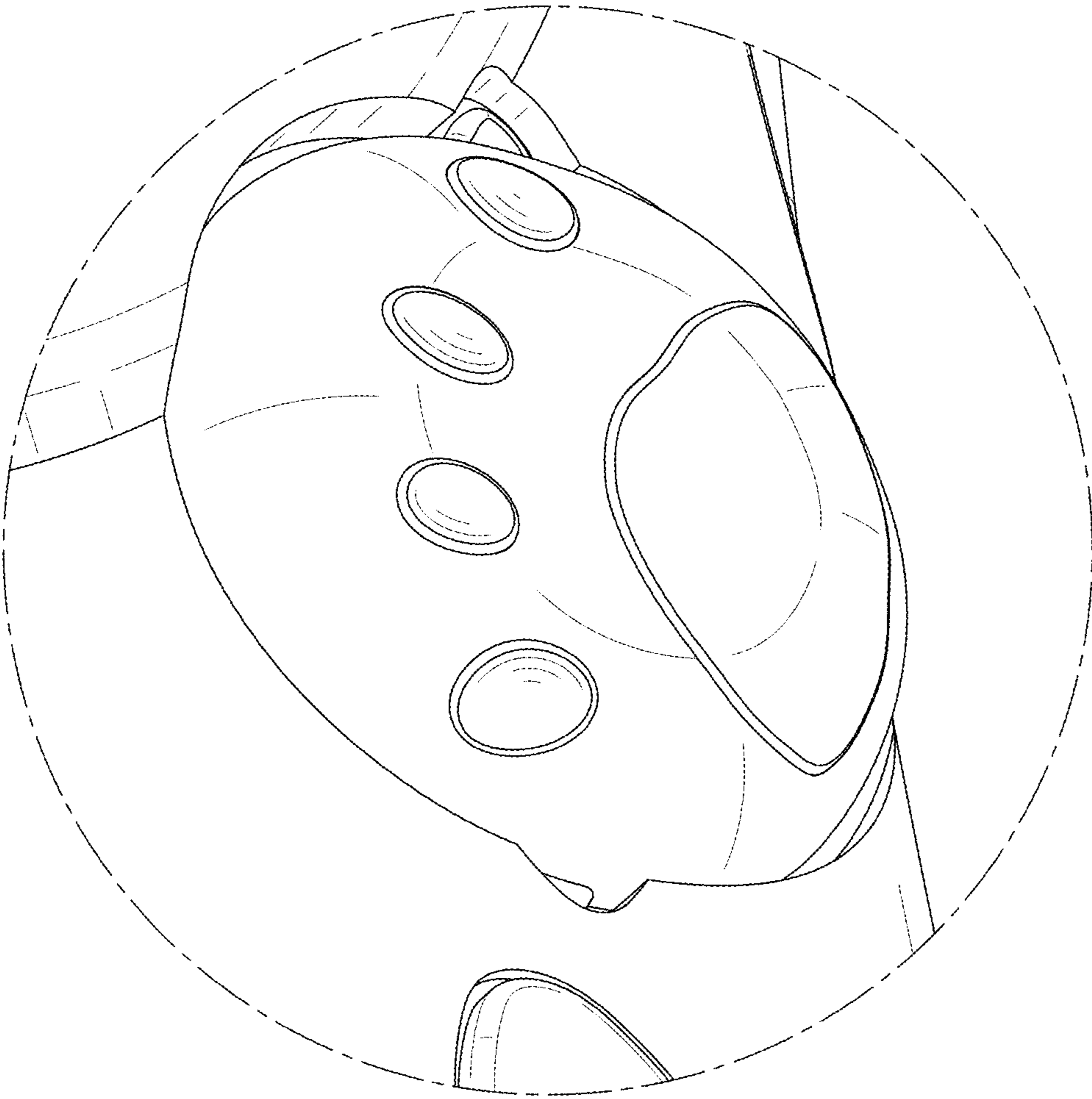


FIG. 12