



US00D946576S

(12) **United States Design Patent**
Kamiyama et al.

(10) **Patent No.:** **US D946,576 S**
(45) **Date of Patent:** **** Mar. 22, 2022**

(54) **CARTRIDGE FOR AN ELECTRONIC PEN**

FOREIGN PATENT DOCUMENTS

(71) Applicant: **Wacom Co., Ltd.**, Kazo (JP)
(72) Inventors: **Ryoji Kamiyama**, Tokyo (JP);
Masamitsu Ito, Toyko (JP); **Toshihiko Horie**, Toyko (JP)

EM 005809480-0001 S 1/2019
EM 007770276-0002 S 4/2020

(Continued)

Primary Examiner — Austin Murphy
(74) *Attorney, Agent, or Firm* — Christensen O'Connor Johnson Kindness PLLC

(73) Assignee: **Wacom Co., Ltd.**, Kazo (JP)

(**) Term: **15 Years**

(57) **CLAIM**

(21) Appl. No.: **29/755,532**

The ornamental design for a cartridge for an electronic pen, as shown and described.

(22) Filed: **Oct. 21, 2020**

(30) **Foreign Application Priority Data**

DESCRIPTION

Apr. 21, 2020 (JP) 2020-008218

(51) **LOC (13) Cl.** **14-02**

(52) **U.S. Cl.**
USPC **D14/411**

(58) **Field of Classification Search**
USPC D14/372, 496, 432, 371, 125, 126, 129,
D14/299, 411; D16/300-342; 351/158,
351/153, 144; 345/7-9, 905; 455/344;
348/115, 53, 121, 739

CPC G02B 27/017; G06F 3/016; G06F 3/033;
G06F 3/0317; G06F 3/03545; G06F
3/041; G06K 9/222

See application file for complete search history.

FIG. 1 is a front-bottom-right perspective view of a cartridge for an electronic pen according to a first embodiment of our new design;

FIG. 2 is a rear-top-left perspective view thereof;

FIG. 3 is a front elevational view thereof;

FIG. 4 is a rear elevational view thereof;

FIG. 5 is a right side elevational view thereof;

FIG. 6 is a left side elevational view thereof;

FIG. 7 is top plan view thereof;

FIG. 8 is a bottom plan view thereof;

FIG. 9 is a front-bottom-right perspective view of a cartridge for an electronic pen according to a second embodiment of our new design;

FIG. 10 is a rear-top-left perspective view thereof;

FIG. 11 is a front elevational view thereof;

FIG. 12 is a rear elevational view thereof;

FIG. 13 is a right side elevational view thereof;

FIG. 14 is a left side elevational view thereof;

FIG. 15 is top plan view thereof; and,

FIG. 16 is a bottom plan view thereof.

The broken lines in the figures depict portions of the cartridge for an electronic pen that form no part of the claimed design.

(56) **References Cited**

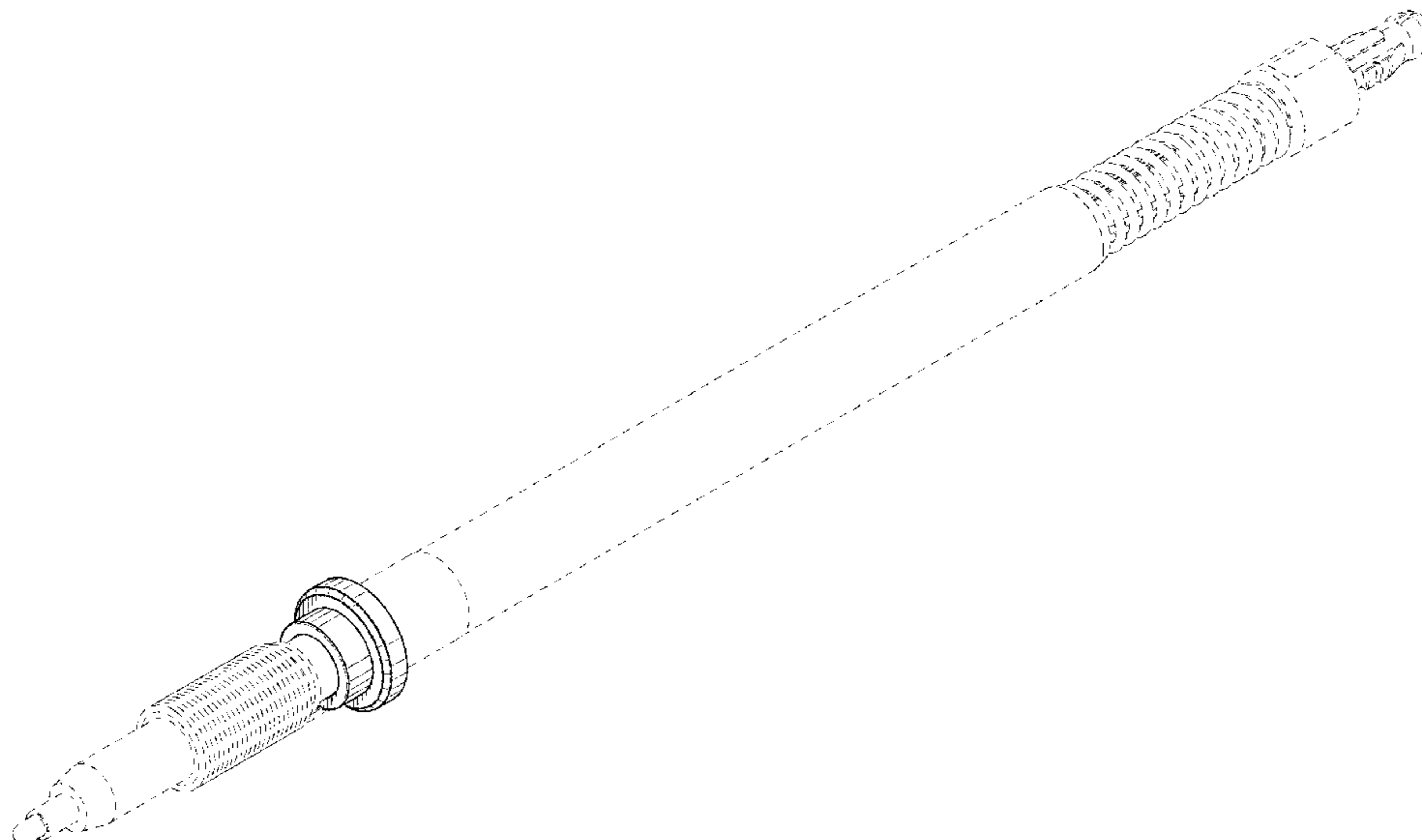
U.S. PATENT DOCUMENTS

D368,079 S * 3/1996 Ive D14/411
6,064,374 A * 5/2000 Fukuzaki G06F 3/03545
178/19.01

D444,171 S 6/2001 McCullough
D450,767 S 11/2001 Itoh et al.
7,131,724 B2 * 11/2006 King B41J 3/36
347/109

(Continued)

1 Claim, 10 Drawing Sheets



(56)

References Cited

U.S. PATENT DOCUMENTS

7,180,509 B2 * 2/2007 Fermgard G06F 3/03542
178/19.05
D638,840 S * 5/2011 Kamata D14/411
8,287,204 B2 * 10/2012 Silverbrook G06F 3/03545
401/195
8,308,387 B2 * 11/2012 King G06F 3/013
401/195
D694,238 S * 11/2013 Du D14/411
D716,303 S * 10/2014 Oh D14/411
D744,486 S * 12/2015 Arai D14/411
D844,001 S * 3/2019 Chu D14/411
D851,087 S * 6/2019 Nishizawa D14/411
D861,689 S * 10/2019 Nishizawa D14/411
D897,341 S * 9/2020 Kamiyama D14/411
D933,659 S * 10/2021 Hashimoto D14/411
D933,661 S * 10/2021 Hashimoto D14/411

FOREIGN PATENT DOCUMENTS

EM 007770284-0002 S 4/2020
JP D1383822 S 3/2010

* cited by examiner

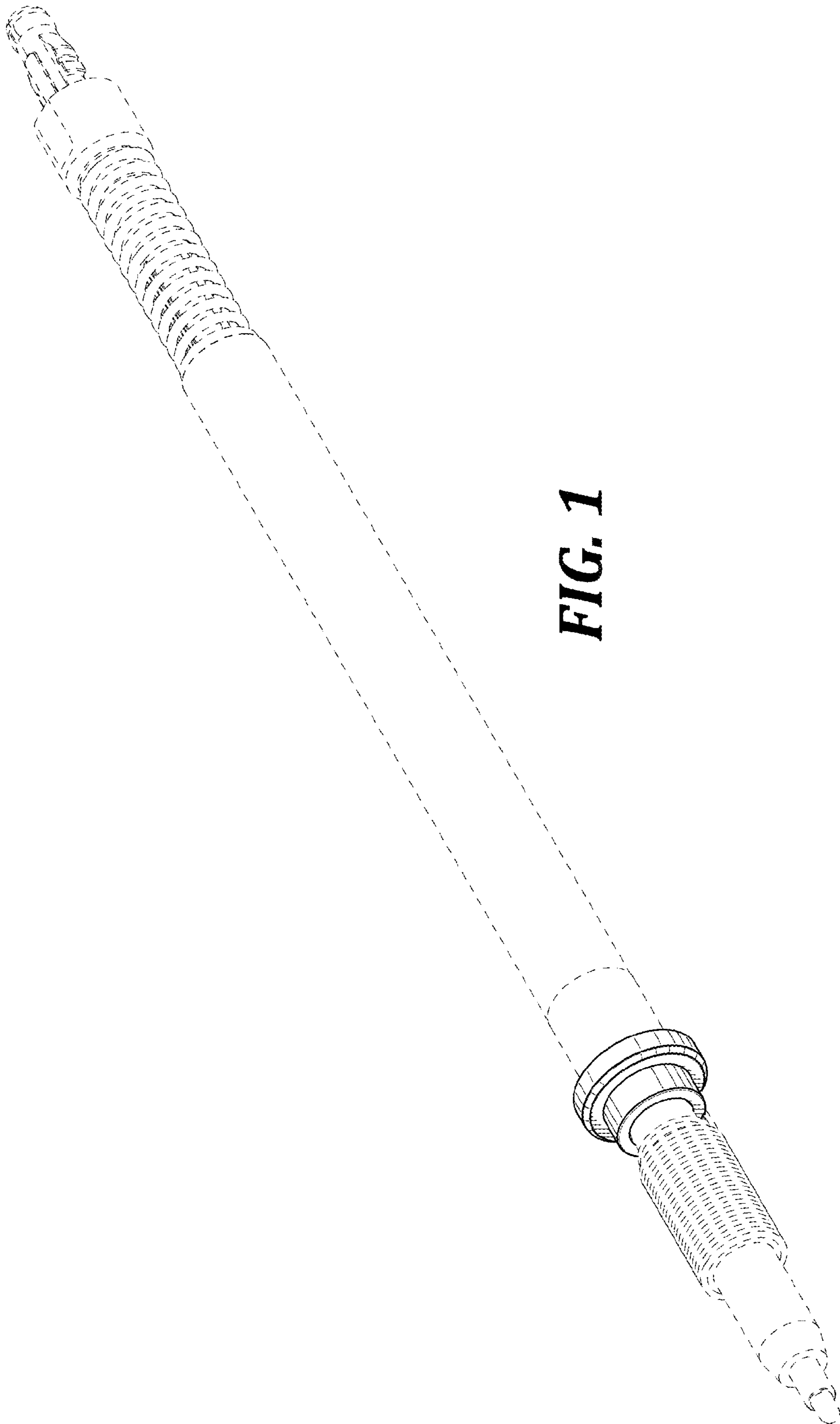


FIG. 1

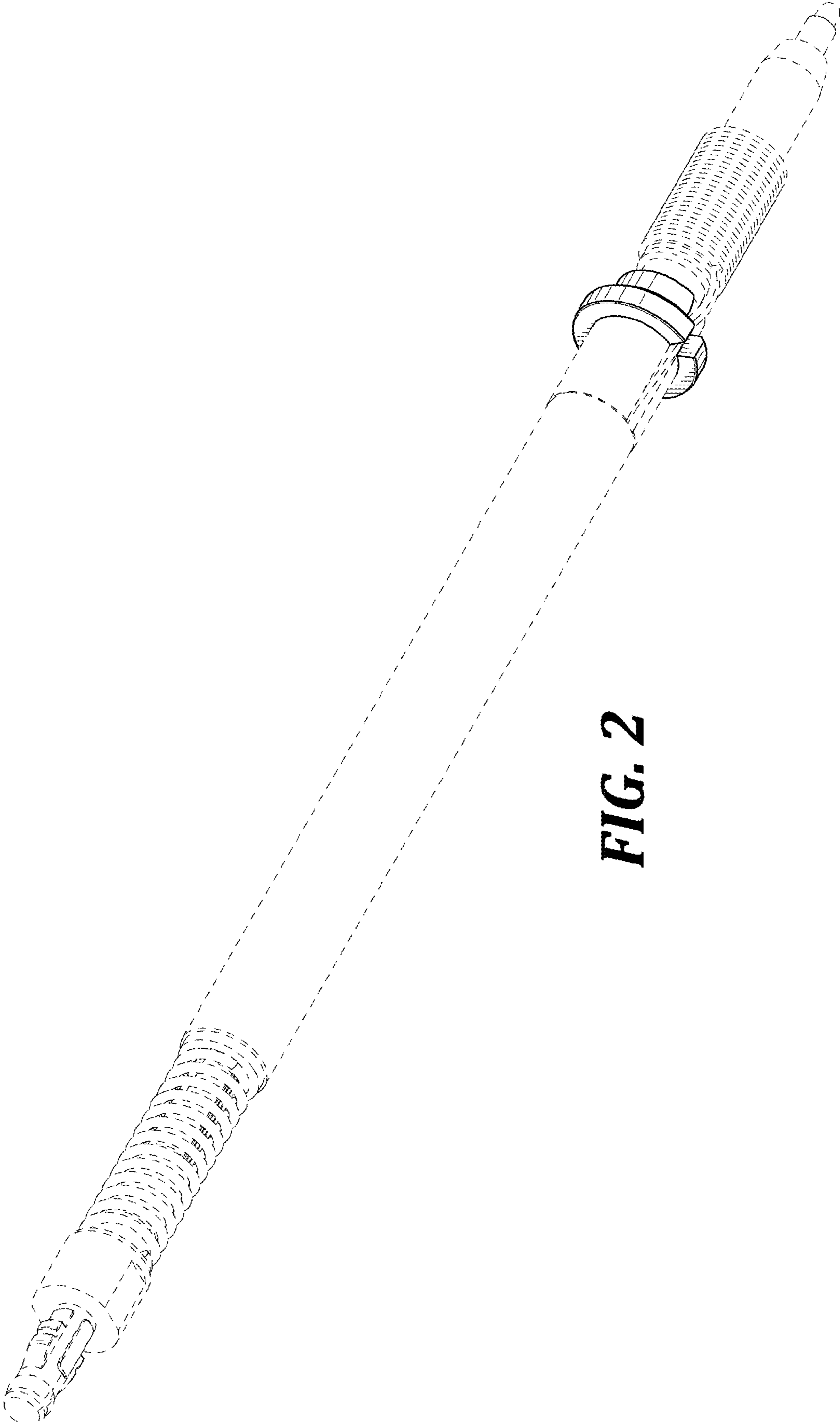


FIG. 2

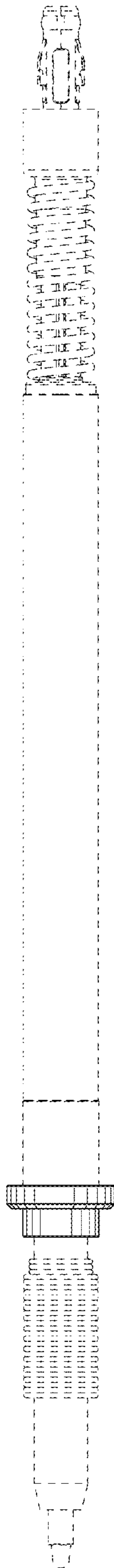


FIG. 3

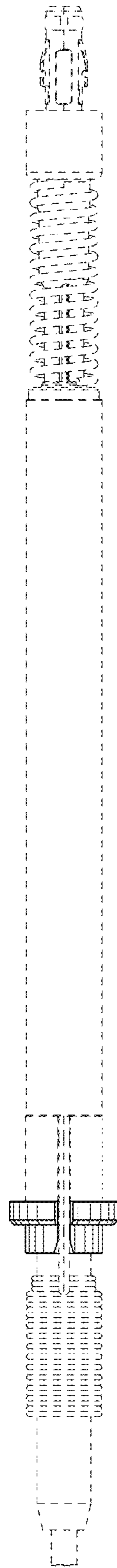


FIG. 4

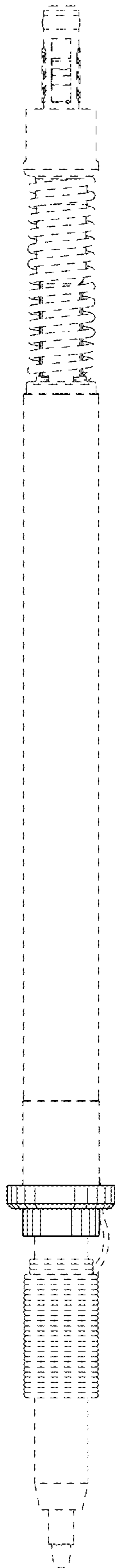


FIG. 5

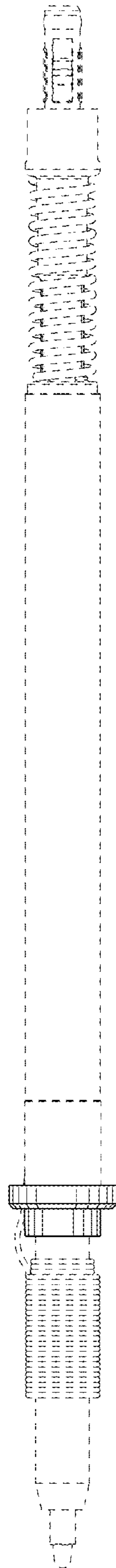


FIG. 6

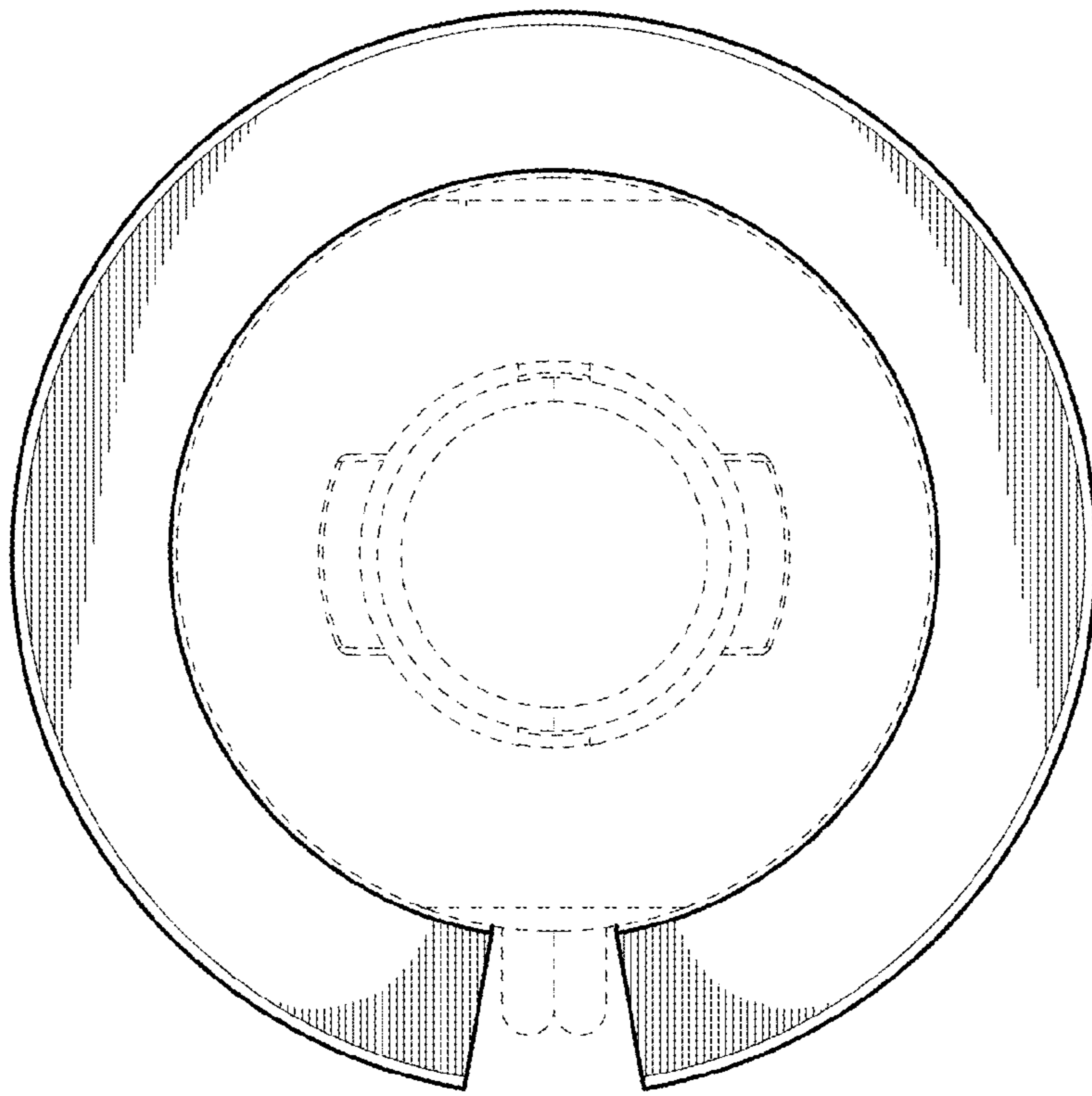


FIG. 7

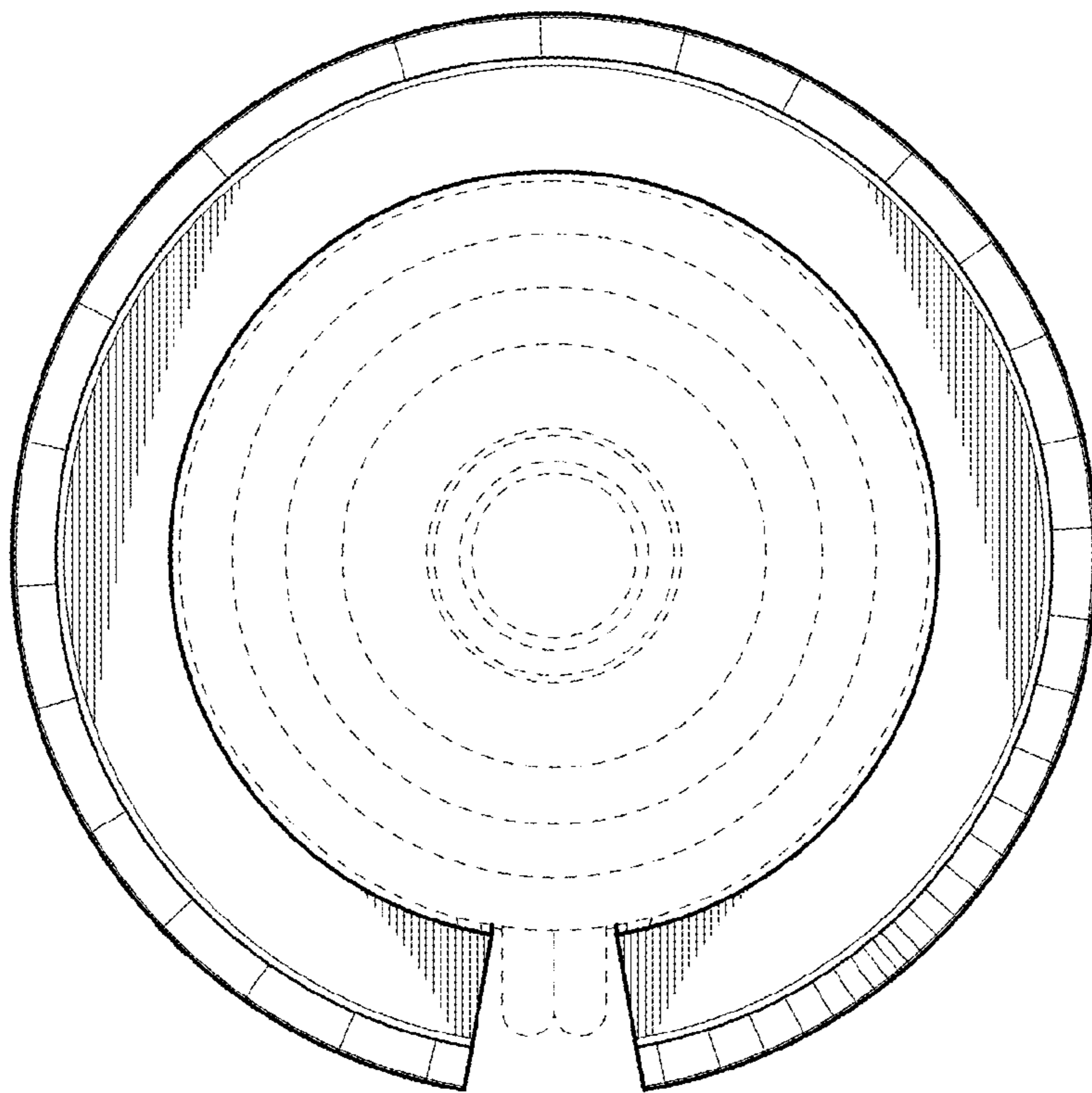


FIG. 8

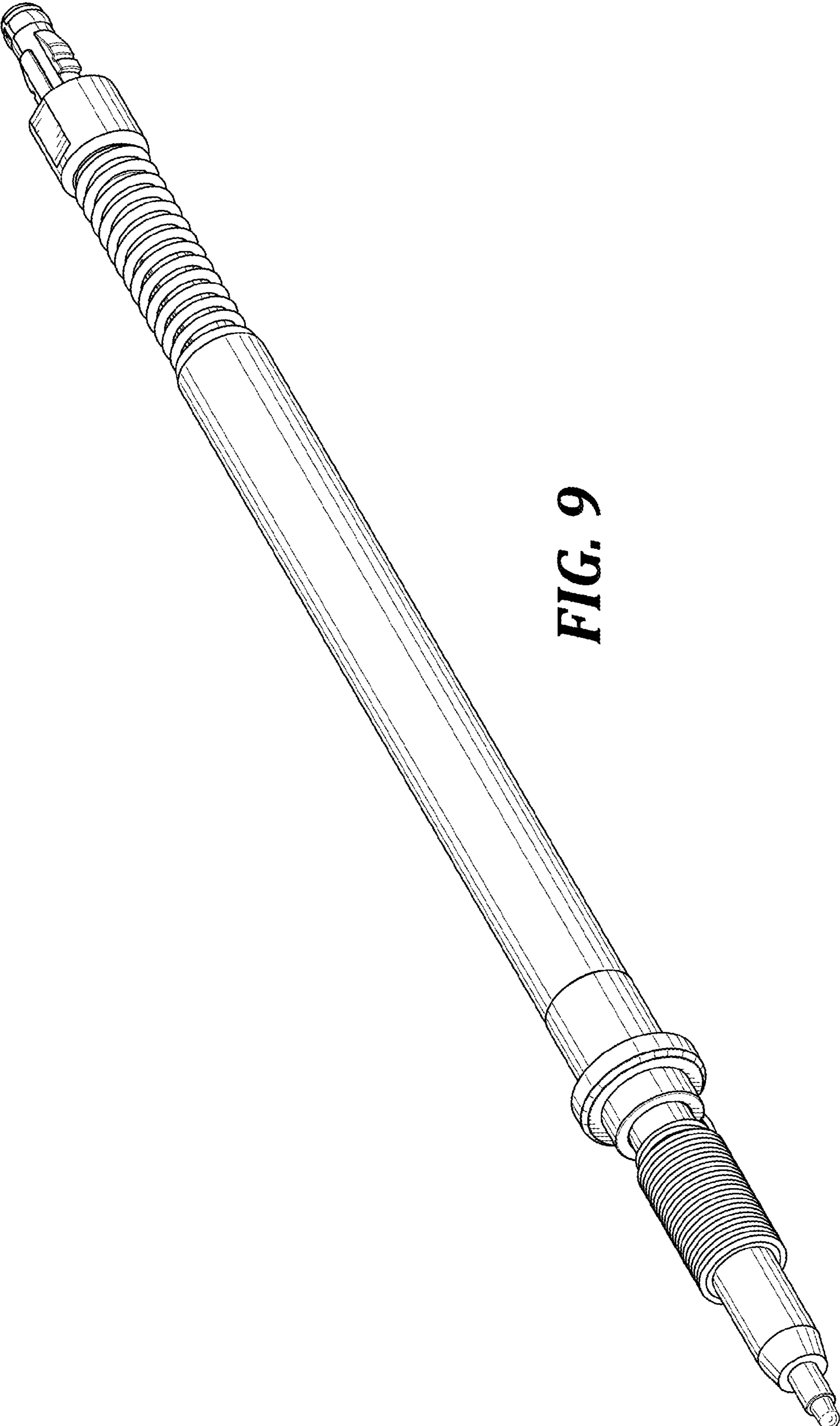


FIG. 9

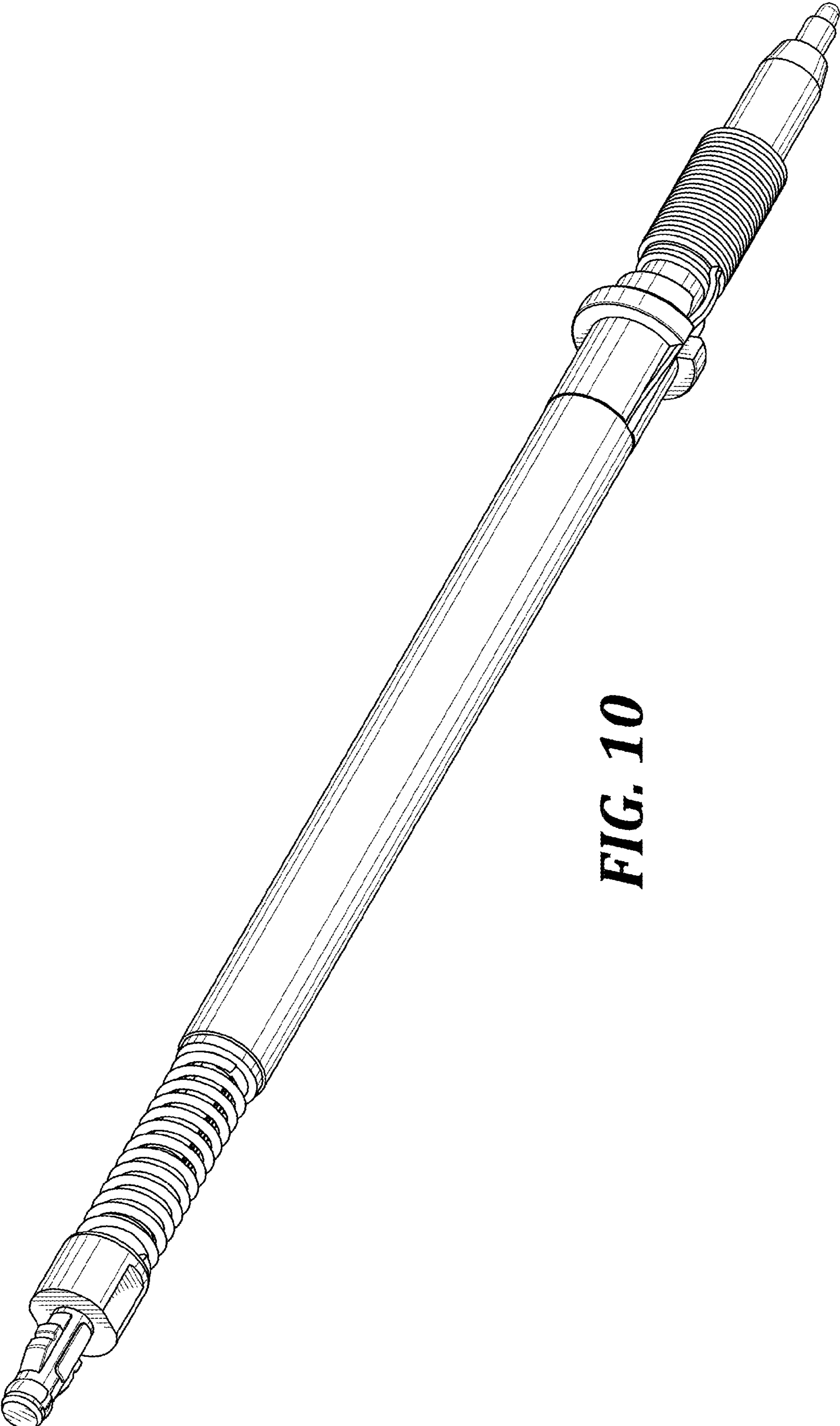


FIG. 10

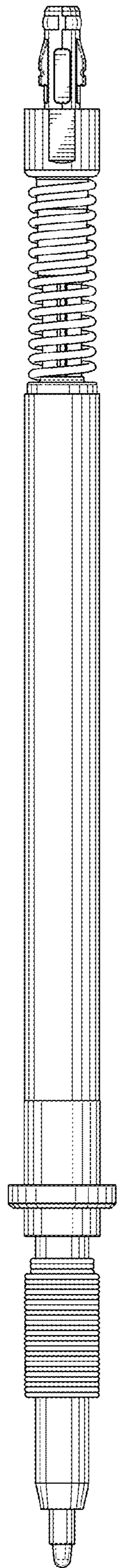


FIG. 11

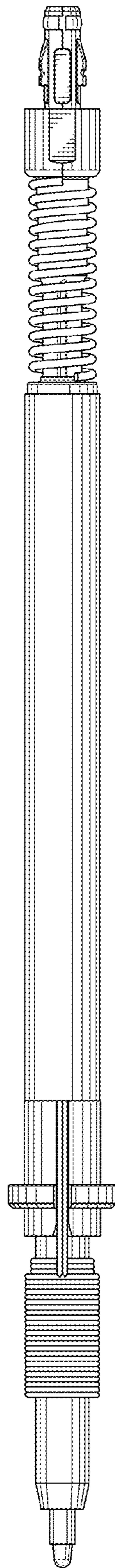


FIG. 12

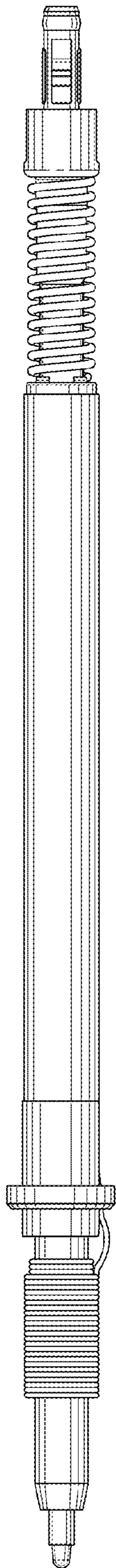


FIG. 13

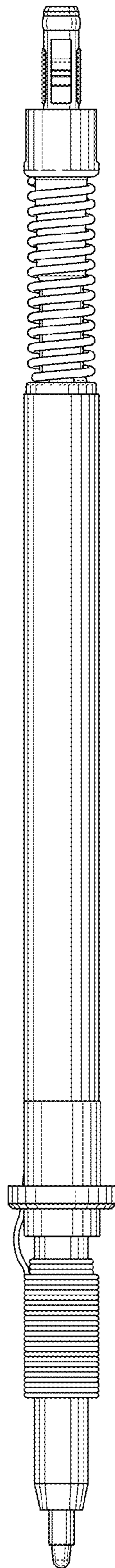


FIG. 14

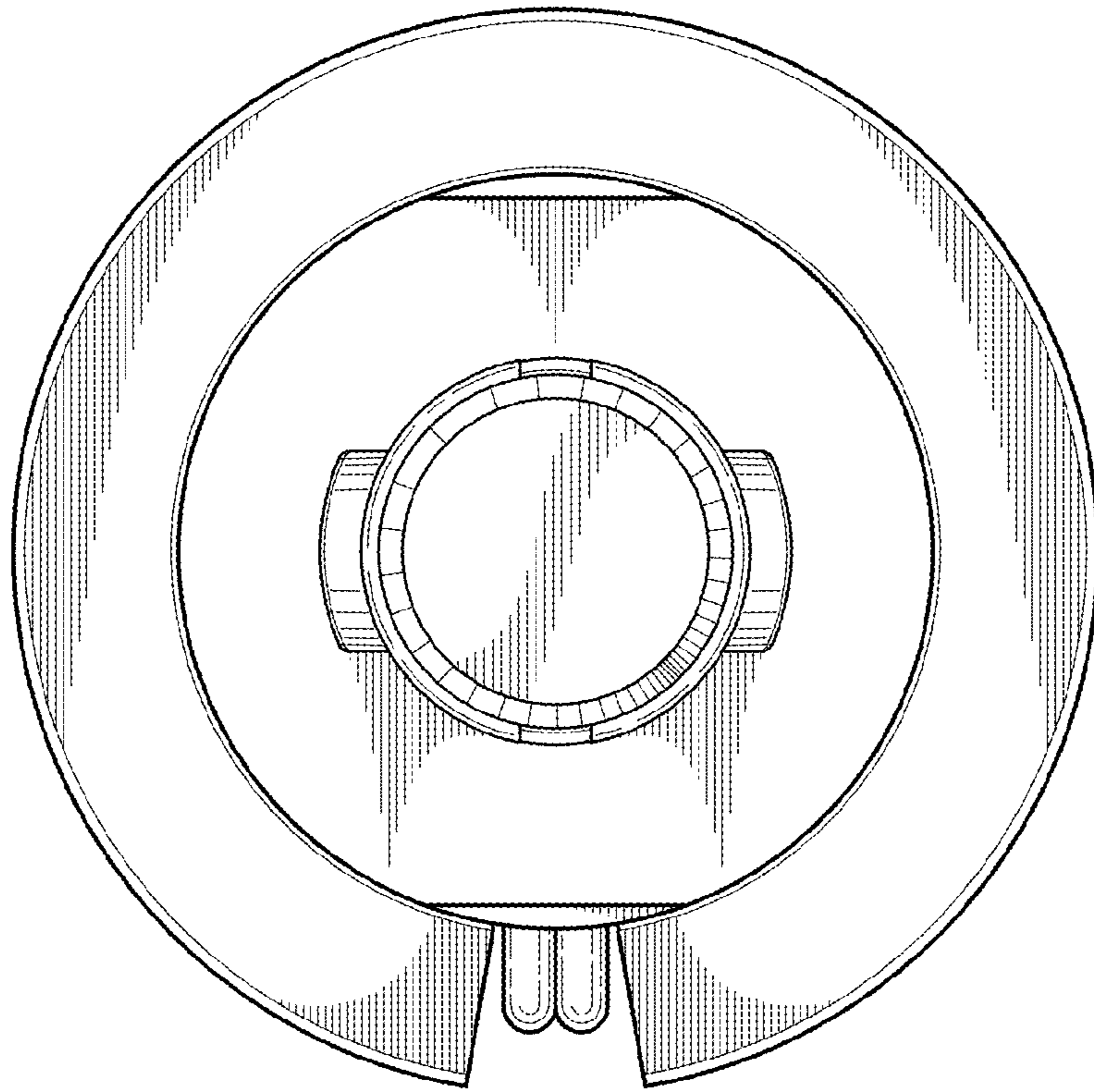


FIG. 15

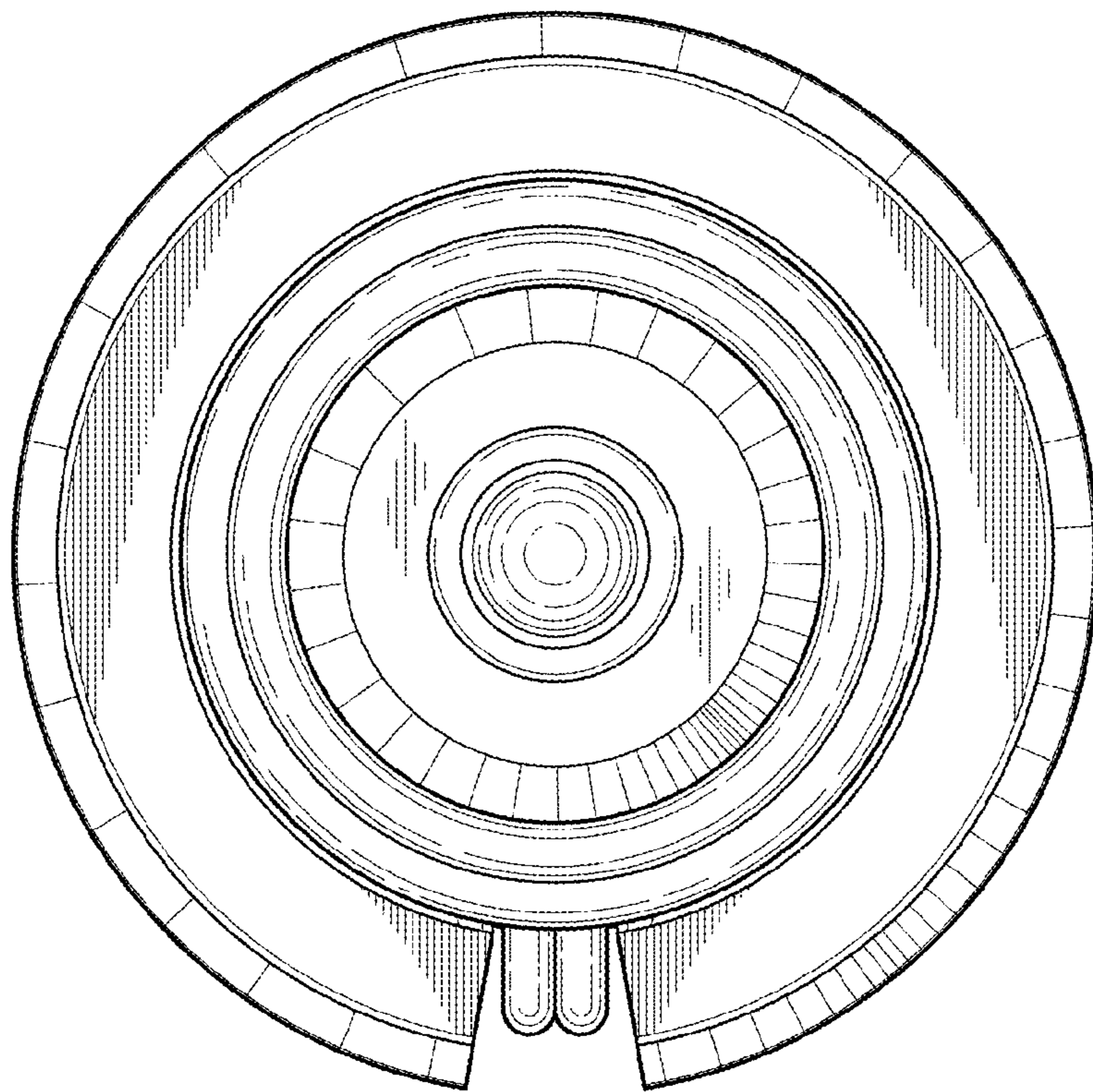


FIG. 16

UNITED STATES PATENT AND TRADEMARK OFFICE
CERTIFICATE OF CORRECTION

PATENT NO. : D946,576 S
APPLICATION NO. : 29/755532
DATED : March 22, 2022
INVENTOR(S) : R. Kamiyama et al.

Page 1 of 1

It is certified that error appears in the above-identified patent and that said Letters Patent is hereby corrected as shown below:

On the Title Page

<u>Column</u>	<u>Line</u>	
Item (30)	1	change "2020-008218" to -- 2020-008218D --.
Foreign Appl.		
Priority Data		

Signed and Sealed this
Fifteenth Day of August, 2023



Katherine Kelly Vidal
Director of the United States Patent and Trademark Office