



US00D946570S

(12) **United States Design Patent**
Ded et al.

(10) **Patent No.:** **US D946,570 S**
(45) **Date of Patent:** **** Mar. 22, 2022**

(54) **MOUNTING APPARATUS**

2200/08; F16M 11/2021; A47B 21/0314;
A47B 88/044; A47B 2021/0335; H02G
3/126; F16B 47/00; F16B 47/006; A47G
1/17; A47K 2201/00

(71) Applicant: **HIDEIT MOUNTS INC**, Reno, NV
(US)

See application file for complete search history.

(72) Inventors: **Relina Belen Ded**, Reno, NV (US);
Charles Edward Shirley, Reno, NV
(US); **Kevin James Vallely**, Reno, NV
(US)

(56) **References Cited**

U.S. PATENT DOCUMENTS

(73) Assignee: **HIDEIT MOUNTS, INC.**, Reno, NV
(US)

D425,070	S	*	5/2000	Johnson	D14/239
6,402,111	B1	*	6/2002	Stewart	A47B 21/0314 248/295.11
D654,350	S	*	2/2012	Preda	D8/354
D667,718	S	*	9/2012	Preda	D8/354
D730,719	S	*	6/2015	Sundberg	D8/354
D737,124	S	*	8/2015	Sasanecki	D8/366
D764,256	S	*	8/2016	DeDios-Shirley	D8/349
D767,973	S	*	10/2016	DeDios-Shirley	D8/349
D803,030	S	*	11/2017	Wengreen	F16M 11/041 D8/354
D820,665	S	*	6/2018	DeDios-Shirley	D8/354
D823,674	S	*	7/2018	Ng	D8/380
D849,507	S	*	5/2019	DeDios-Shirley	D8/349

(**) Term: **15 Years**

(21) Appl. No.: **29/763,186**

(22) Filed: **Dec. 21, 2020**

(51) **LOC (13) Cl.** **08-08**

(52) **U.S. Cl.**
USPC **D14/349**

(58) **Field of Classification Search**
USPC D14/371-382, 125-129, 336, 337,
D14/447-452, 492, 335, 376-382, 239,
D14/457, 439-441, 432, 251-253;
D8/349, 354, 363, 367, 372, 373, 376,
D8/380, 382; D21/333; D12/415;
D3/10, 218; 348/180, 184, 325, 739,
348/825; 248/323, 278.1, 286.1

CPC G06F 3/0412; G06F 3/016; G06F 3/0488;
G06F 3/011; G06F 3/038; G06F 3/03543;
G06F 3/0338; G06F 3/0202; G06F
3/0219; G06F 3/0213; G06F 1/1616;
G06F 3/023; G06F 3/04883; G02F
1/13338; G02F 1/1313; G02F 1/1333;
G02F 1/135; G02F 1/132; G02F
1/133308; G02F 1/134309; G02F
1/13718; G09G 3/3648; G06K 15/1252;
B41J 2/465; G03F 7/70291; G02B
27/0172; G02B 5/30; G02B 2027/0118;
G02B 27/0101; F16M 13/02; F16M
13/00; F16M 11/10; F16M 11/04; F16M

(Continued)

Primary Examiner — Katie Jane Stofko

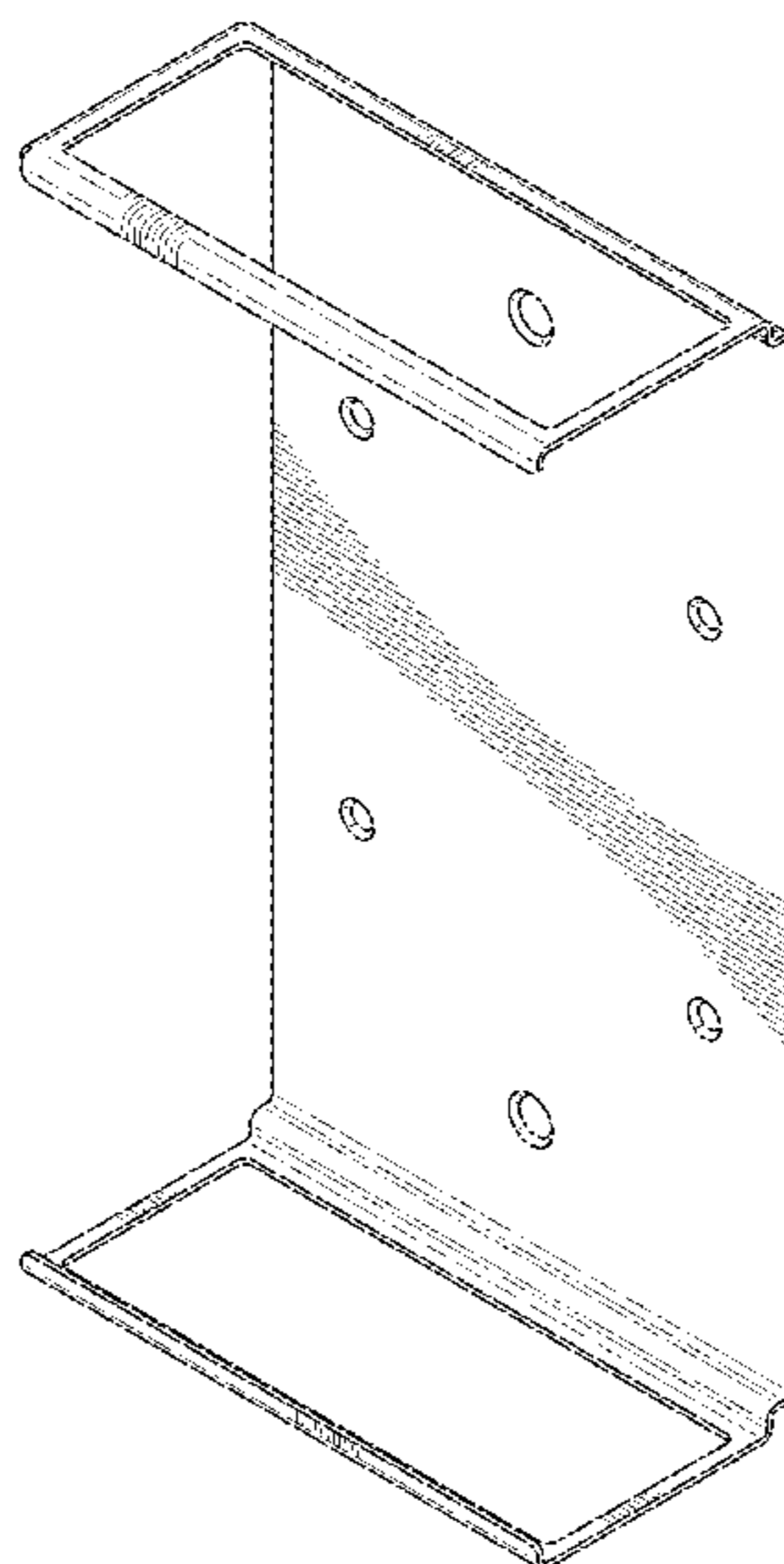
(57) **CLAIM**

The ornamental design for a mounting apparatus, as shown and described.

DESCRIPTION

FIG. 1 is a front, top, right side perspective view of a mounting apparatus;
FIG. 2 is a front, bottom, left side perspective view thereof;
FIG. 3 is a front elevation view thereof;
FIG. 4 is a rear elevation view thereof;
FIG. 5 is a right side elevation view thereof;
FIG. 6 is a left side elevation view thereof;
FIG. 7 is a top plan view thereof; and,
FIG. 8 is a bottom plan view thereof.

1 Claim, 6 Drawing Sheets



(56)

References Cited

U.S. PATENT DOCUMENTS

D863,040 S * 10/2019 DeDios-Shirley D8/354
D904,172 S * 12/2020 Jenkins D8/354
D906,095 S * 12/2020 DeDios-Shirley D8/354
D913,077 S * 3/2021 Pavlov D8/349
D919,413 S * 5/2021 Eveland D8/349
D924,673 S * 7/2021 Bean D8/382
2003/0155474 A1 * 8/2003 Dean G11B 33/124
248/300
2008/0296467 A1 * 12/2008 Havelock A47G 1/202
248/544
2009/0052128 A1 * 2/2009 Yeh F16M 11/10
361/679.27
2013/0105649 A1 * 5/2013 Wills E06B 9/42
248/224.8
2015/0264823 A1 * 9/2015 Shirley F16M 13/02
248/287.1

* cited by examiner

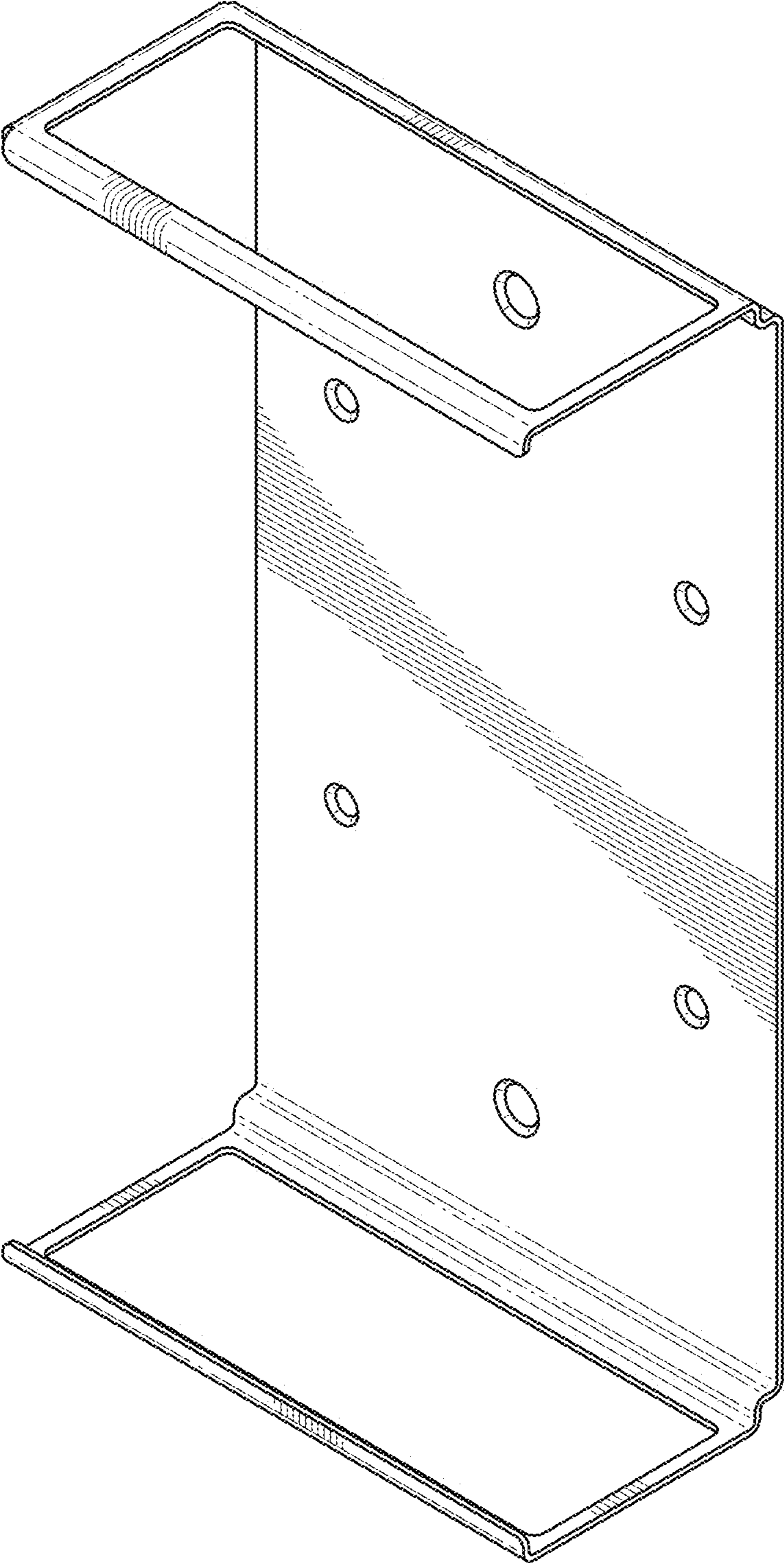


FIG. 1

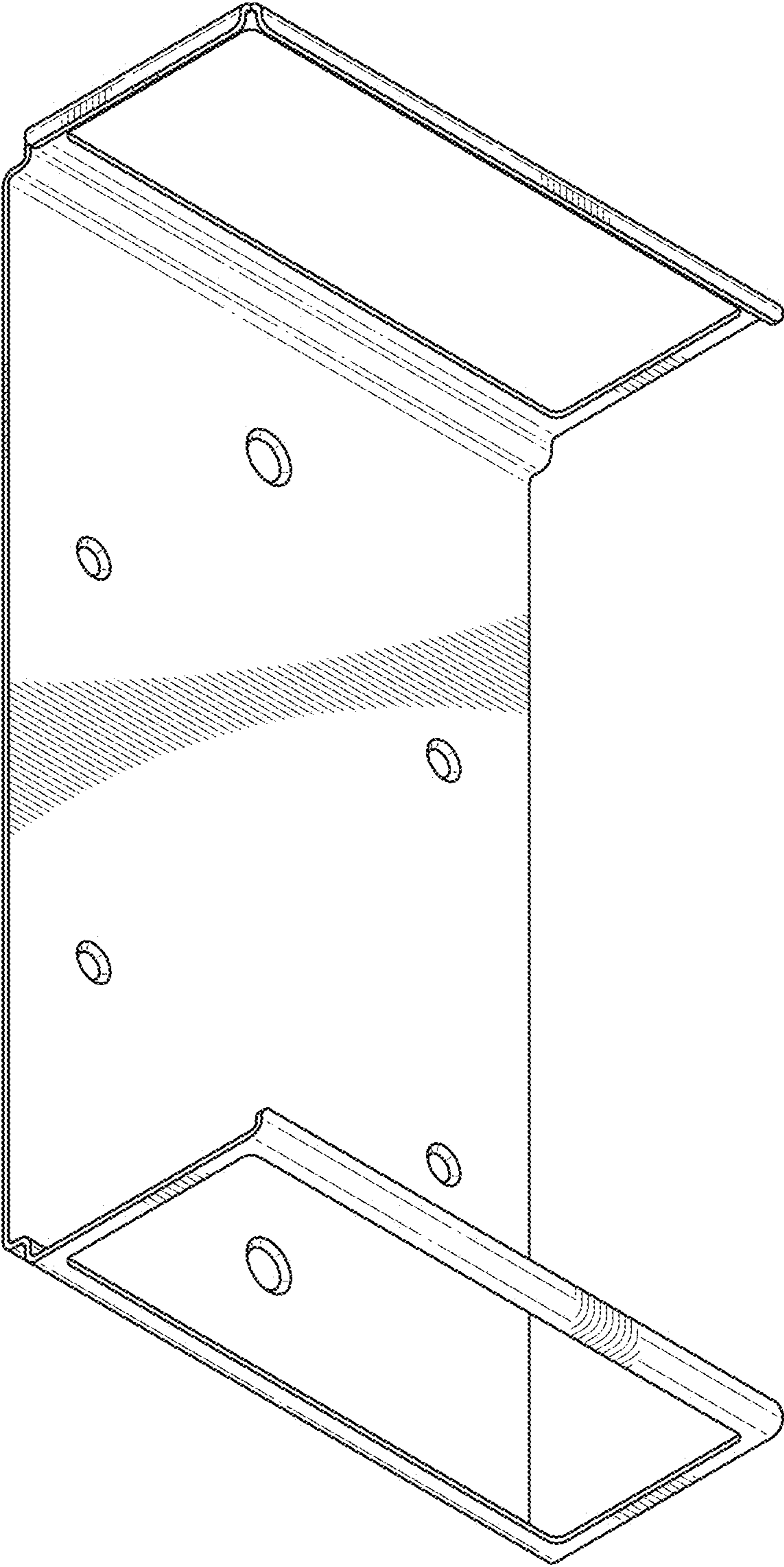


FIG. 2

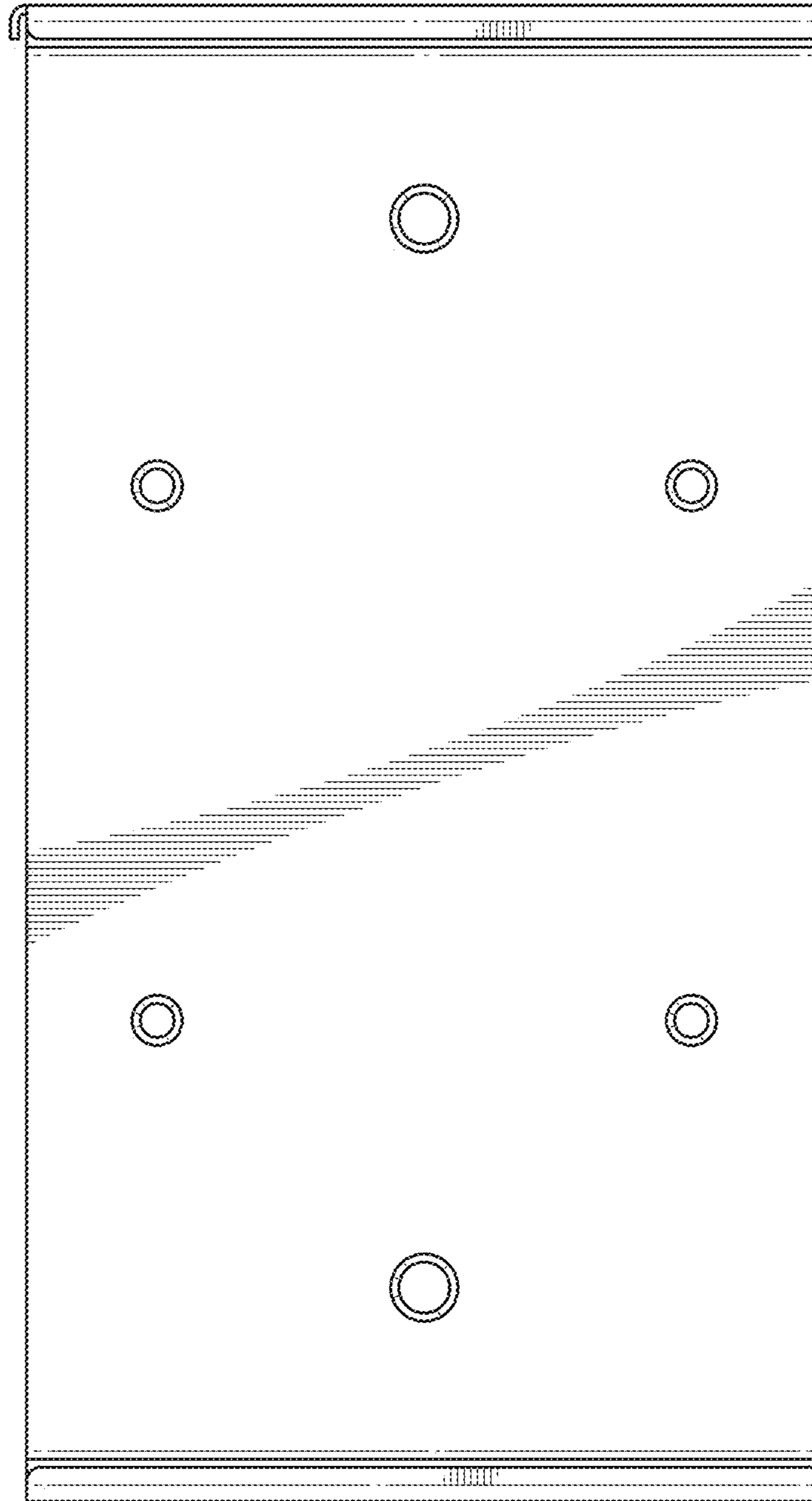


FIG. 3

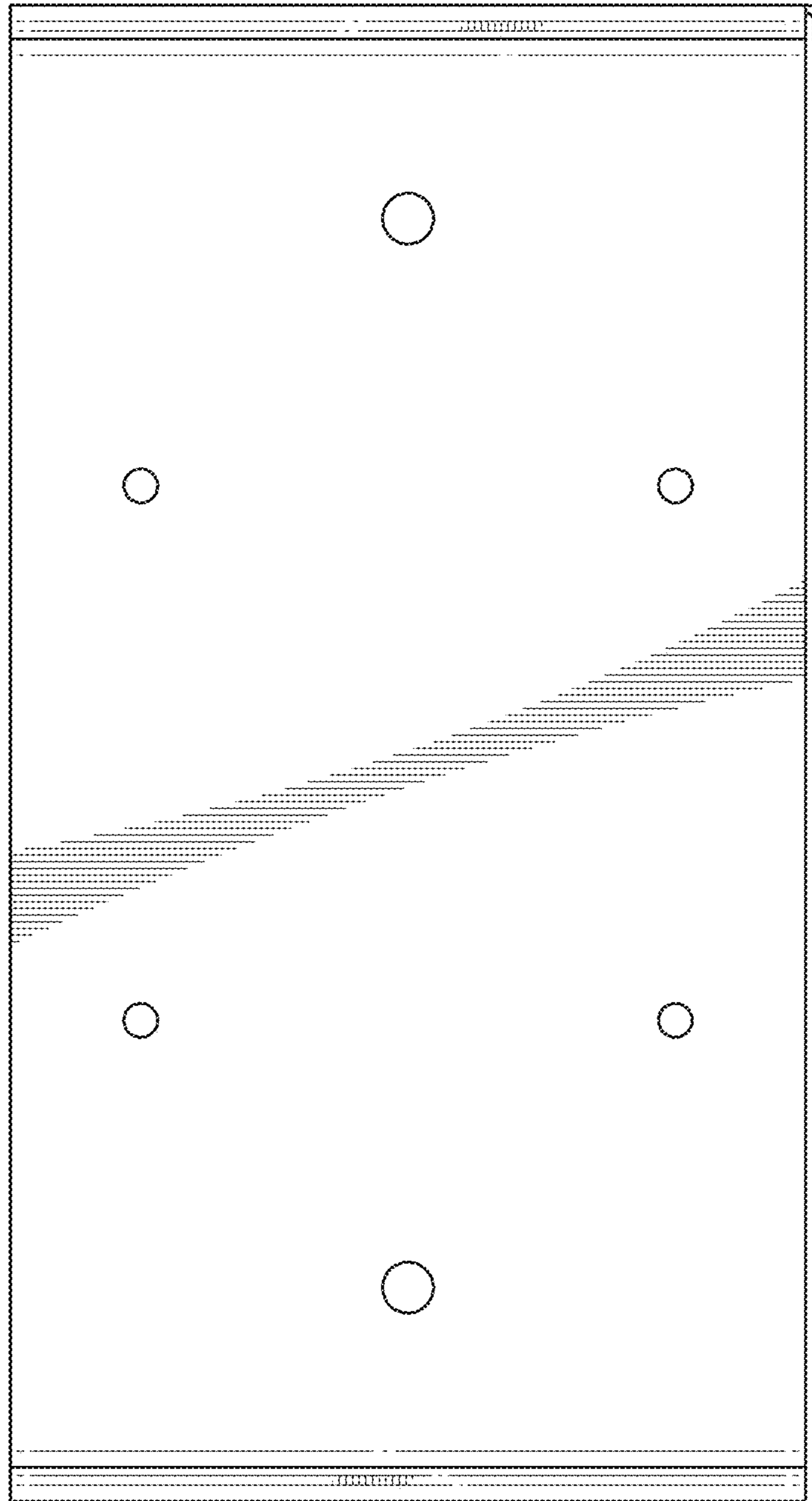


FIG. 4

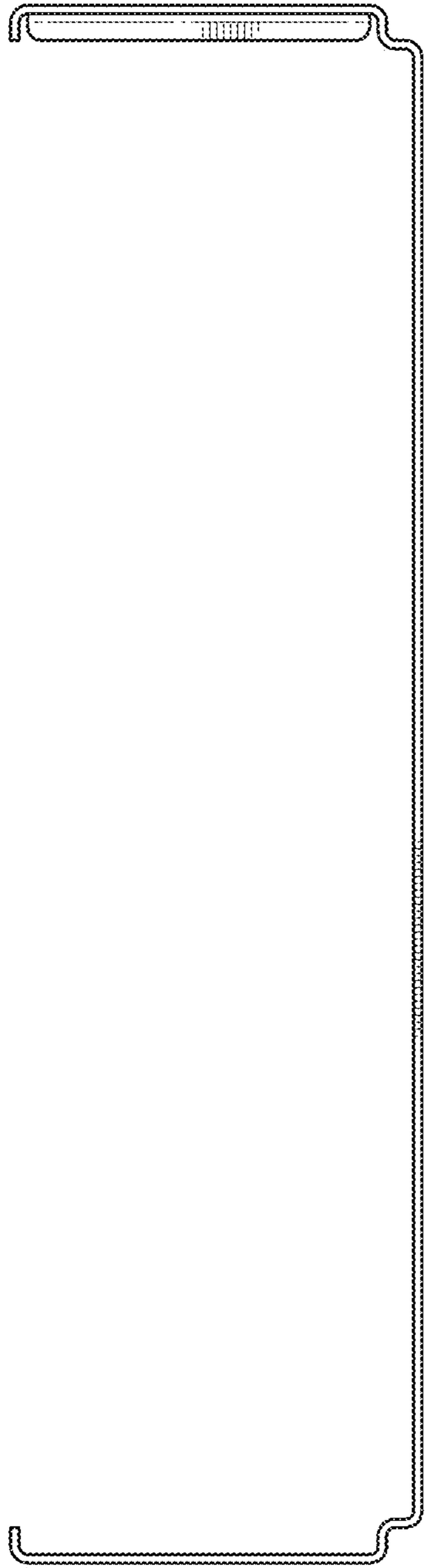


FIG. 5

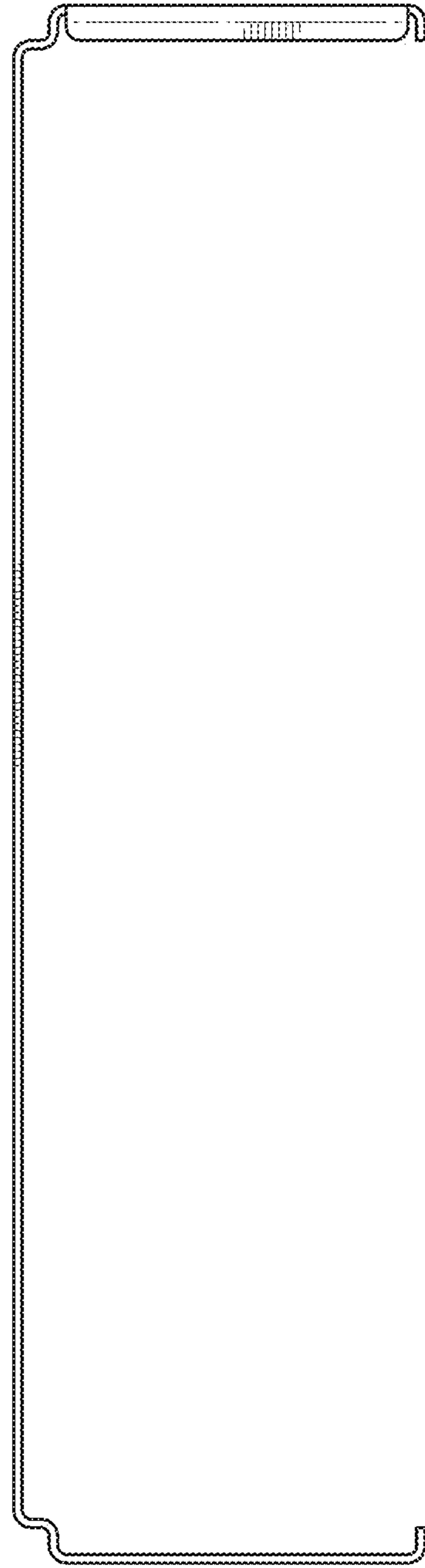


FIG. 6

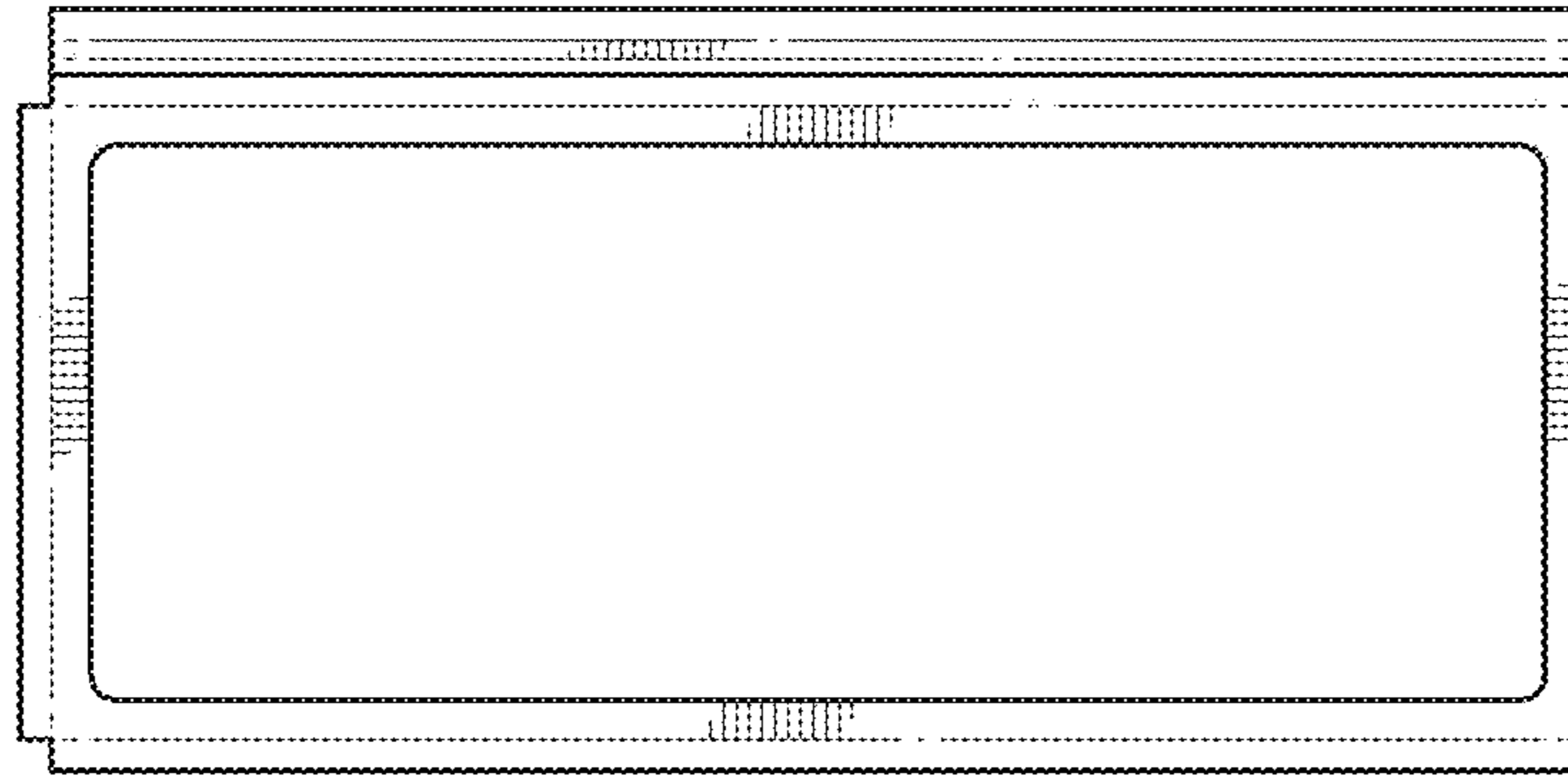


FIG. 7

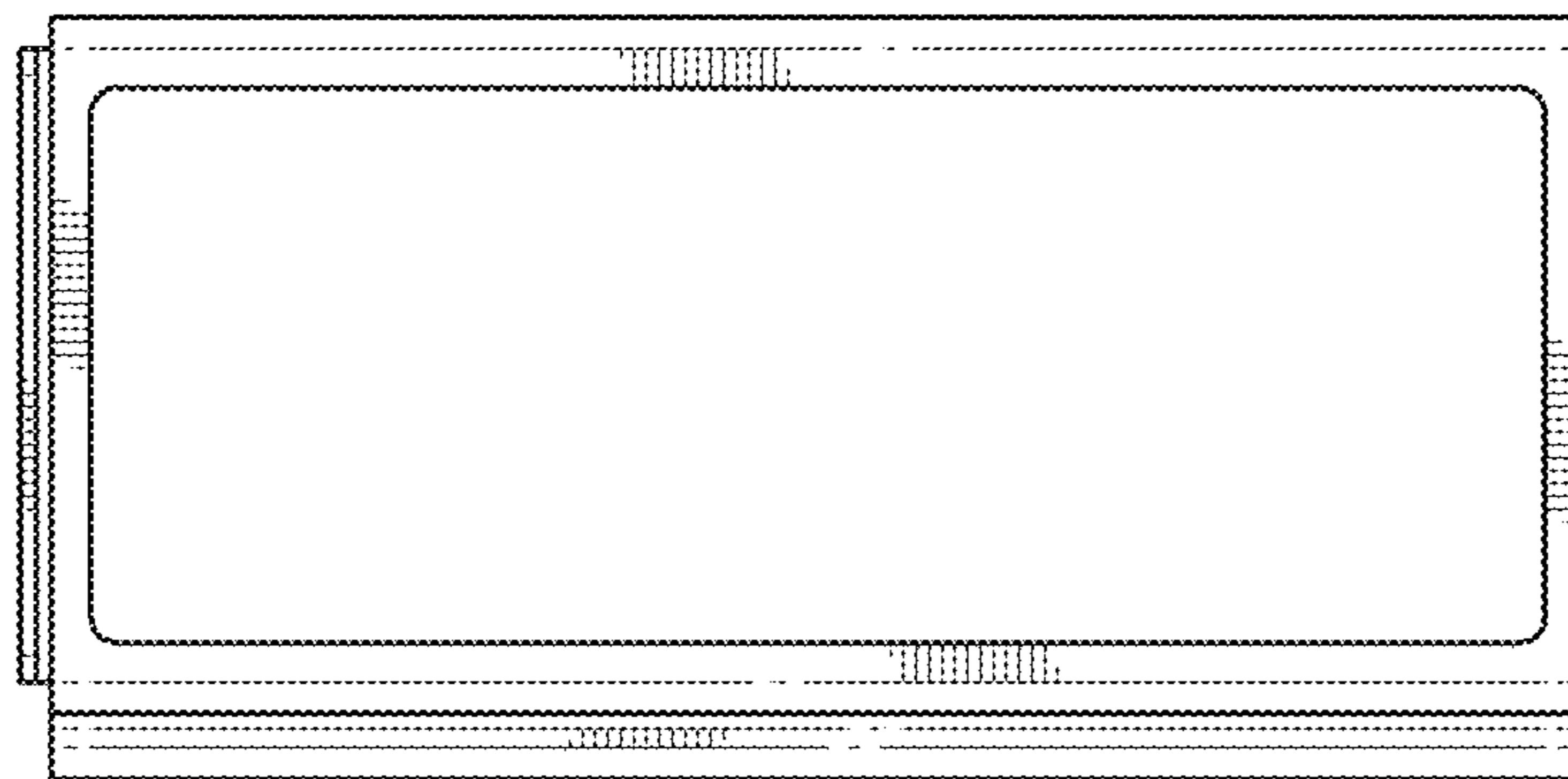


FIG. 8