



US00D946565S

(12) **United States Design Patent** (10) **Patent No.:** **US D946,565 S**
Liu (45) **Date of Patent:** **** Mar. 22, 2022**

(54) **STAND FOR MOBILE PHONE**

(71) Applicant: **NINEBOT (BEIJING) TECH. CO., LTD**, Beijing (CN)

(72) Inventor: **Xing Liu**, Beijing (CN)

(73) Assignee: **Ninebot (Beijing) Tech. Co. Ltd.**, Beijing (CN)

(**) Term: **15 Years**

(21) Appl. No.: **35/510,273**

(22) Filed: **Jun. 11, 2020**

(80) **Hague Agreement Data**

Int. Filing Date: **Jun. 11, 2020**

Int. Reg. No.: **DM/210149**

Int. Reg. Date: **Jun. 11, 2020**

Int. Reg. Pub. Date: **Sep. 18, 2020**

(30) **Foreign Application Priority Data**

Dec. 11, 2019 (CN) 201930691605.3

(51) **LOC (13) Cl.** **14-03**

(52) **U.S. Cl.**
USPC **D14/253; D3/218**

(58) **Field of Classification Search**

USPC D3/201, 206, 212, 218, 226, 227, 247, D3/249, 250, 269, 303; D13/103, 107, D13/108, 119; D14/137, 138 R, 138 AA, D14/138 C, 138 G, 172, 192, D14/203.3-203.7, 217, 238.1, 247, 248, D14/250-253, 432, 434, 440, 447, 496
CPC H04B 1/3888; H04M 1/0283; H04M 1/0202; A45C 1/06; A45C 2011/002; A45C 11/00; A45F 2005/028; A45F 2200/0525

See application file for complete search history.

(56) **References Cited**

U.S. PATENT DOCUMENTS

D366,957 S * 2/1996 Scheid D3/218
D369,465 S * 5/1996 Scheid D3/218
D391,394 S * 3/1998 Dutson D3/218
D393,744 S * 4/1998 Wandt D3/218
D457,309 S * 5/2002 Tanaka D3/218

(Continued)

OTHER PUBLICATIONS

Segway Ninebot Electric Scooter Universal Phone Holder, earliest customer review date Jul. 6, 2020, [online] URL: <https://www.electrickicks.com.au/products/segway-electric-scooter-phone-holder> (Year: 2020).*

(Continued)

Primary Examiner — L. A. Grabenstetter

(74) *Attorney, Agent, or Firm* — Polson Intellectual Property Law, PC; Margaret Polson

(57) **CLAIM**

The ornamental design for a stand for mobile phone, as shown and described.

DESCRIPTION

1.1 is a front view of a first embodiment of our new design for a mobile phone.

1.2: is a back view thereof.

1.3: is a left view thereof.

1.4: is a right view thereof.

1.5: is a top view thereof.

1.6: is a bottom view thereof.

1.7: is a perspective view thereof.

1.8: is a perspective view of state of use

2.1 : is a front view thereof. view of a second embodiment of our new design for a mobile phone.

2.2: is a back view thereof.

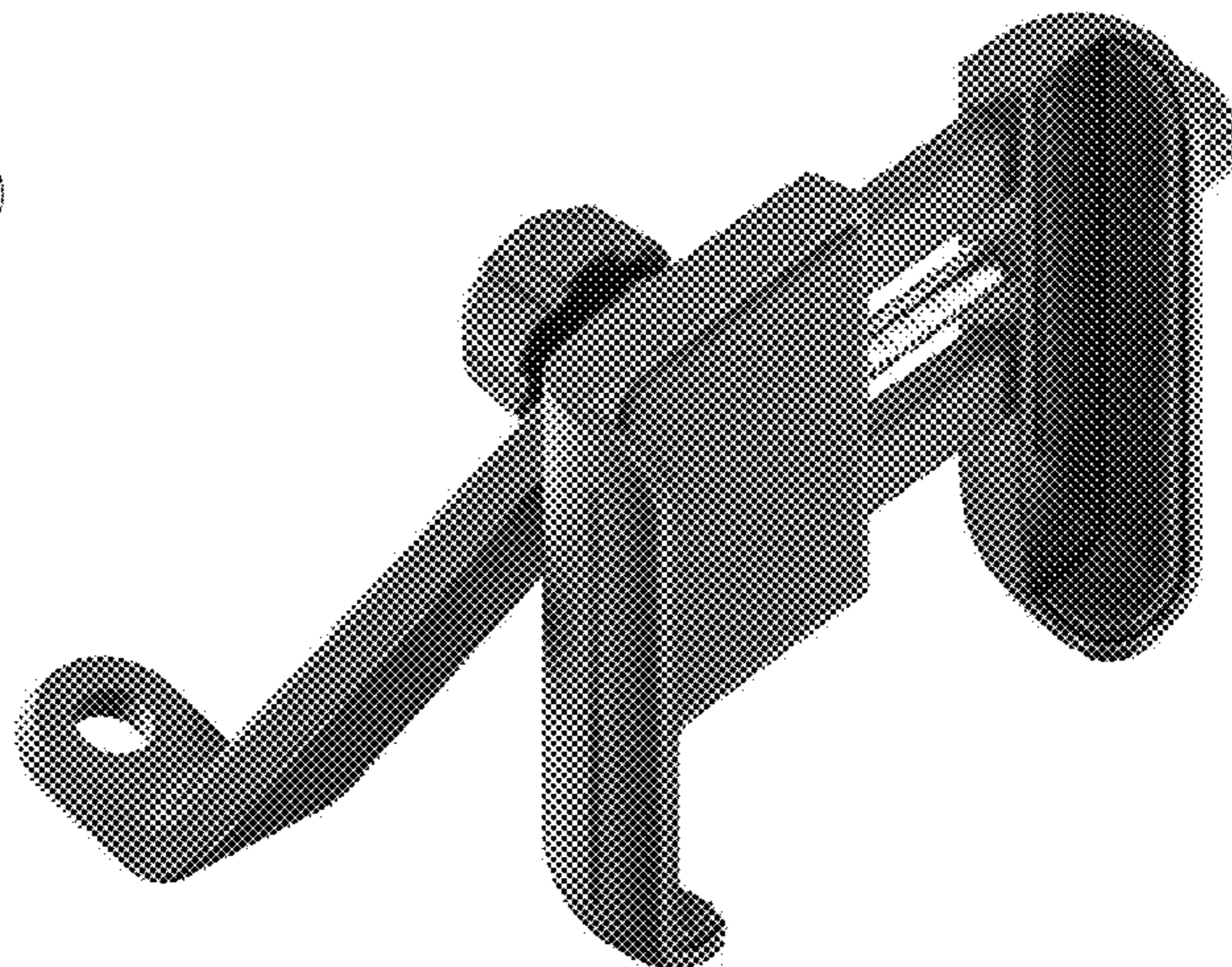
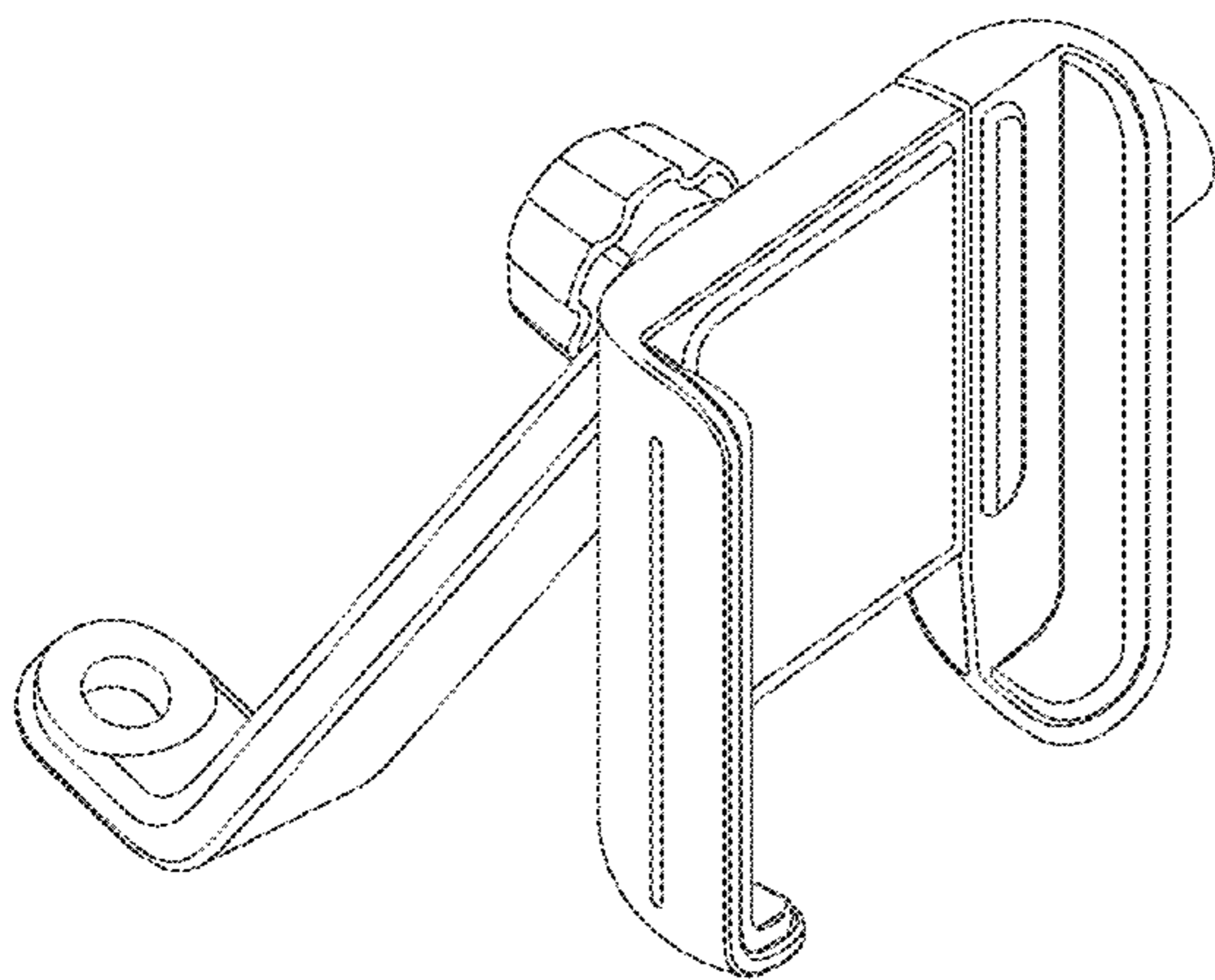
2.3: is a left view thereof.

2.4: is a right view thereof.

2.5: is a top view thereof.

2.6: is a bottom view thereof.

(Continued)



2.7: is a perspective view thereof.

2.8: is a perspective view of state of use

D867,355 S *	11/2019	Chun	D14/253
D903,652 S *	12/2020	Qiu	D14/253
2010/0295228 A1 *	11/2010	Woody	B60R 11/0258 269/254 R

1 Claim, 16 Drawing Sheets

OTHER PUBLICATIONS

(56)

References Cited

U.S. PATENT DOCUMENTS

D468,525 S *	1/2003	Boyle	D3/218
D469,438 S *	1/2003	Corrales	D14/432
D470,146 S *	2/2003	Tan	D14/432
D508,605 S *	8/2005	Hwang	D3/218
D565,290 S *	4/2008	Brandenburg	D3/218
D657,137 S *	4/2012	Weller	D3/218
D693,802 S *	11/2013	Wikel	D14/253
D710,363 S *	8/2014	Wengreen	D14/432
D772,859 S *	11/2016	Alesi	D14/253
D808,641 S *	1/2018	Clover	D3/218
D840,994 S *	2/2019	Balmer	D14/253
D857,378 S *	8/2019	Cadogan	D3/218

Segway Ninebot Attachable Phone Mount, publication date Jul. 20, 2019, [online] URL: <https://www.amazon.com/Segway-Ninebot-Attachable-Phone-Scooters/dp/B07VCYT5YL> (Year: 2019).*

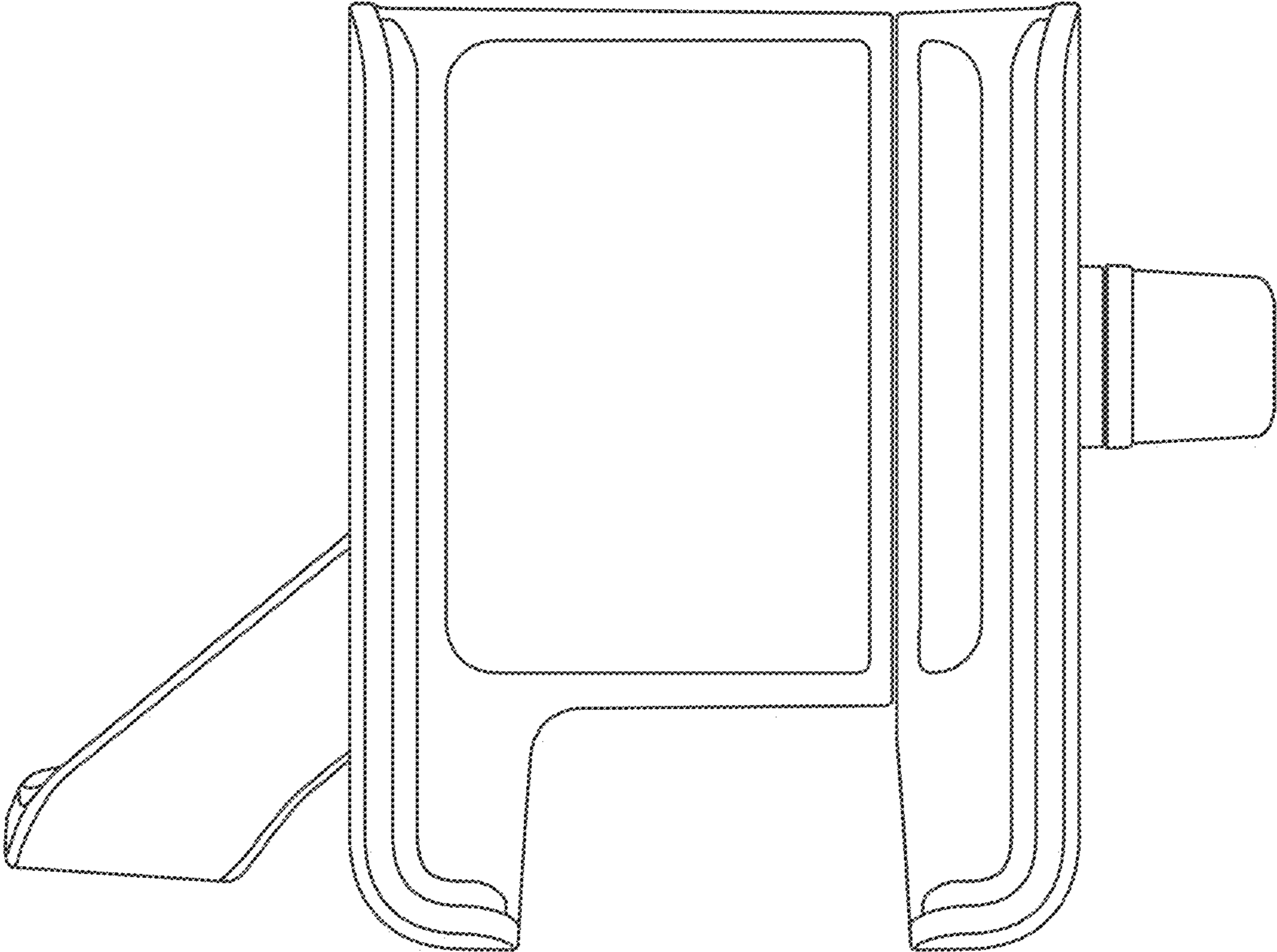
SPEDWHEEL Adjustable Phone Holder for Ninebot Scooter, publication date Apr. 3, 2019, [online] URL: <https://www.amazon.com/SPEDWHEEL-Adjustable-Compatible-NINEBOT-Electric/dp/B08M61SRKV> (Year: 2019).*

HOMEASY cellphone bicycle holder, publication date Oct. 31, 2019, [online] URL: <https://www.amazon.com/HOMEASY-Motorcycle-Cellphone-Handlebar-Prevention/dp/B07D8HS3C9> (Year: 2019).*

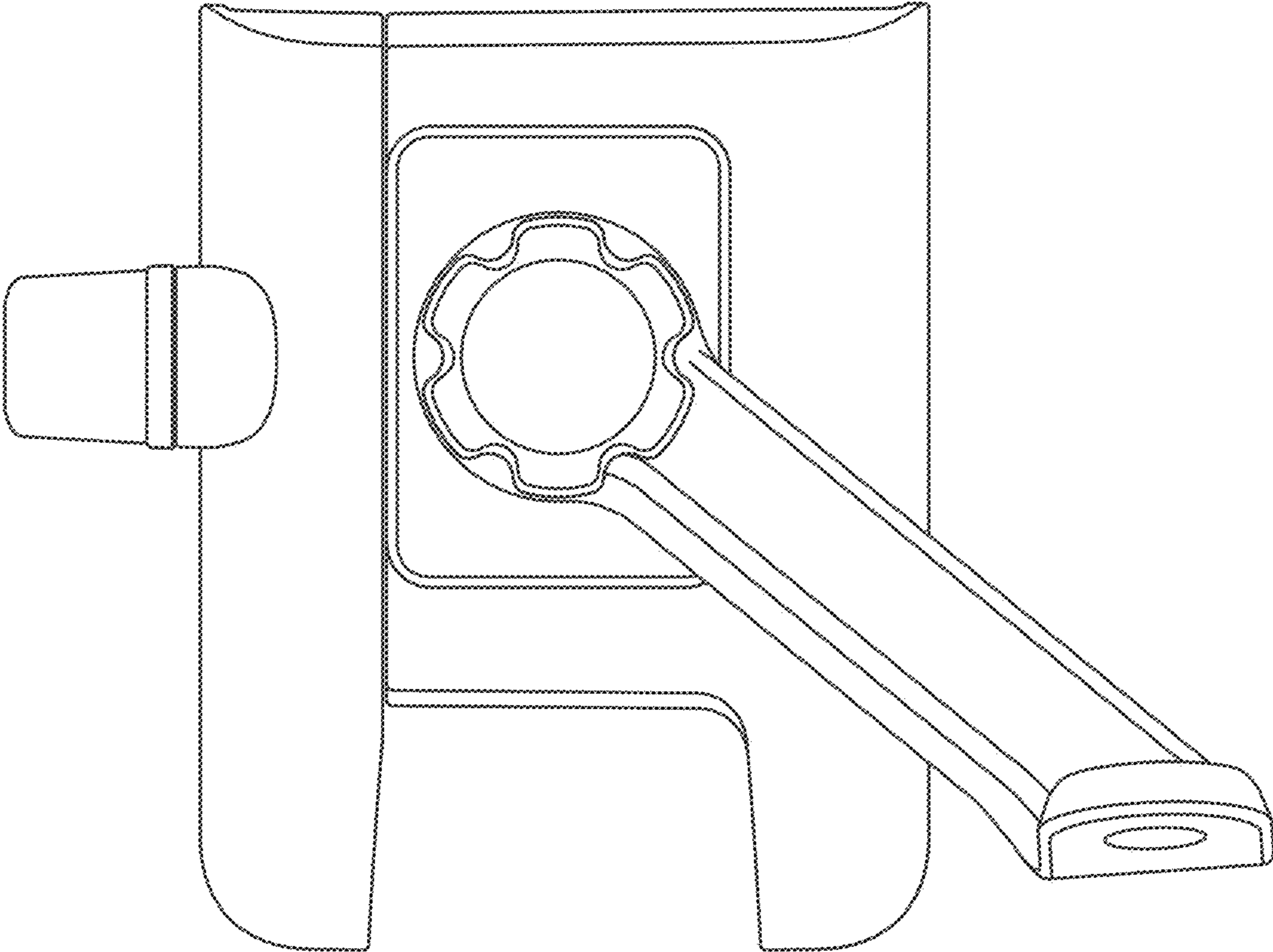
Vicelecus Bike & Motorcycle Phone Mount, publication date Jun. 25, 2018, [online] URL: <https://www.amazon.com/Motorcycle-Adjustable-Holder-Samsung-Devices/dp/B07F1CQMWV> (Year: 2018).*

Rydonair Motorcycle Phone Mount, publication date Sep. 17, 2018, [online] URL: <https://www.amazon.com/dp/B07KWY7ZQZ> (Year: 2018).*

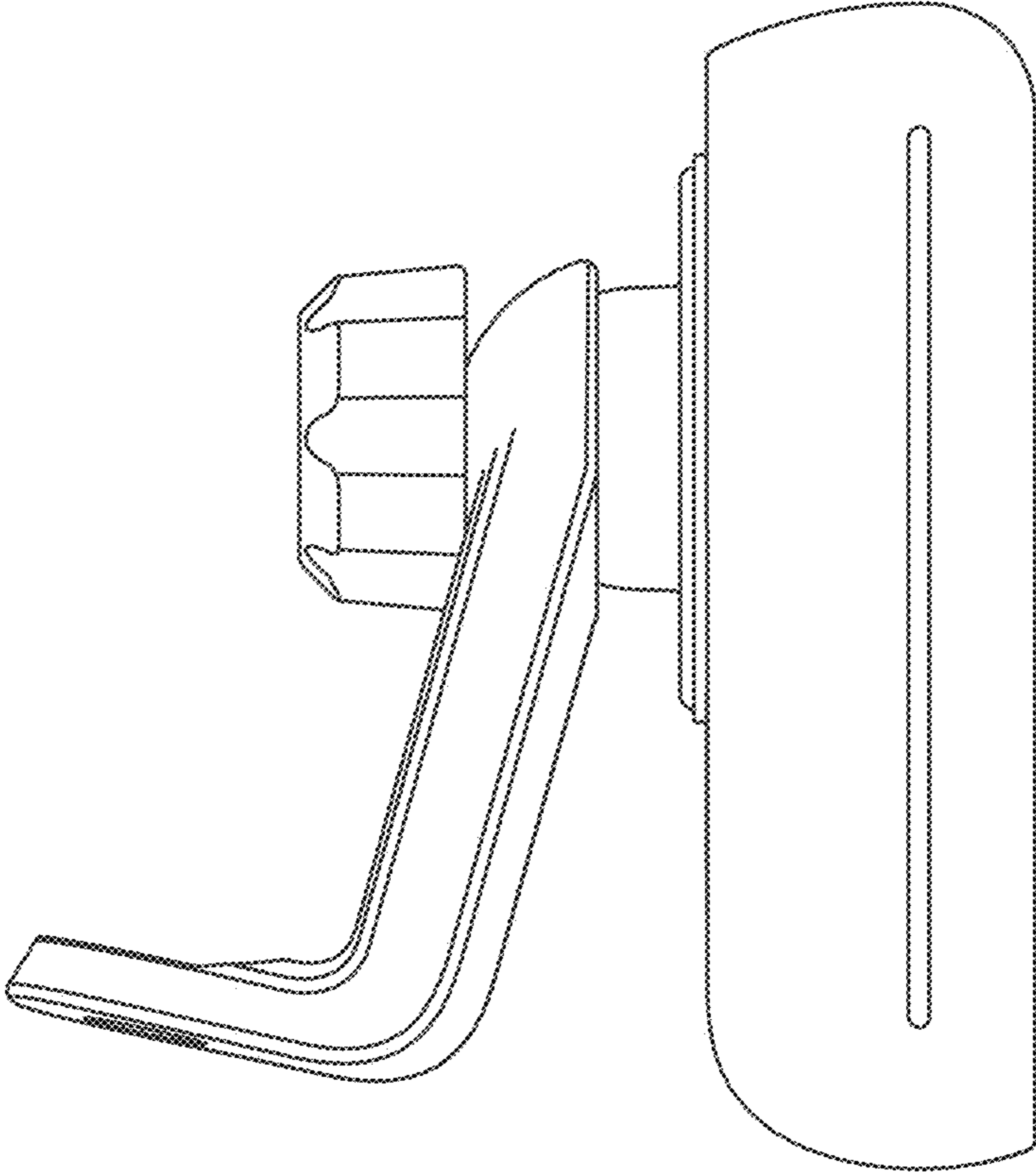
* cited by examiner



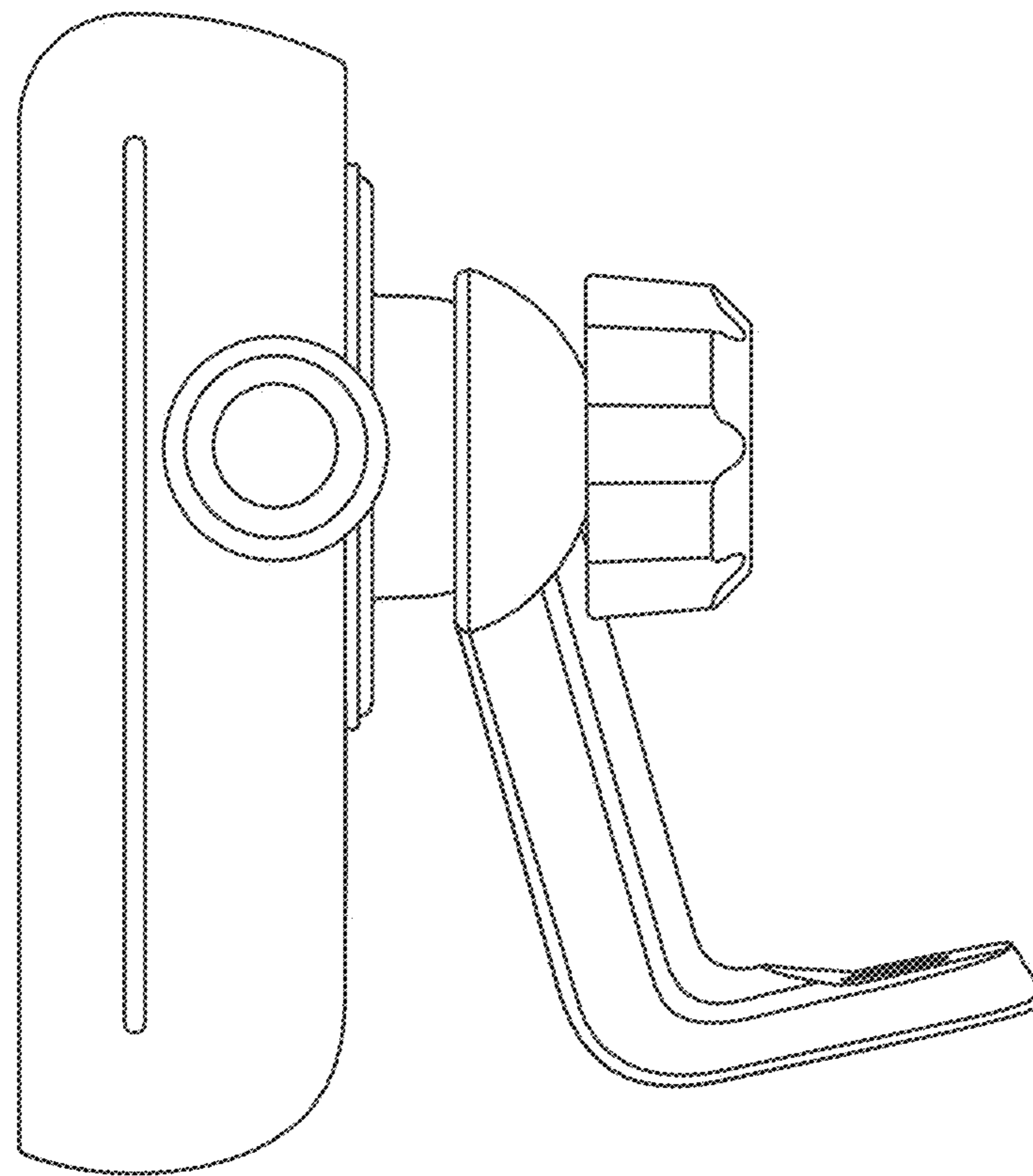
1.1



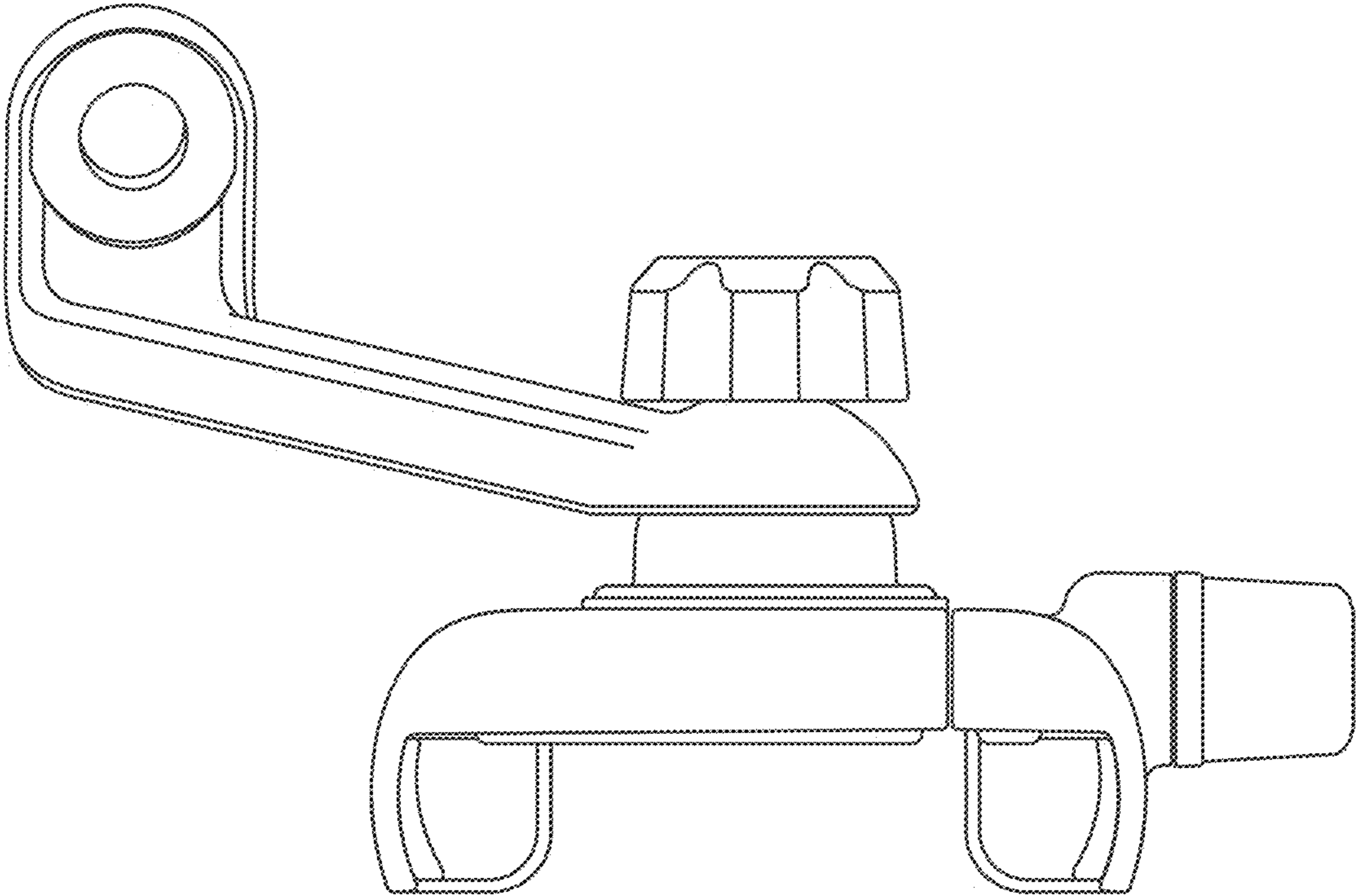
1.2



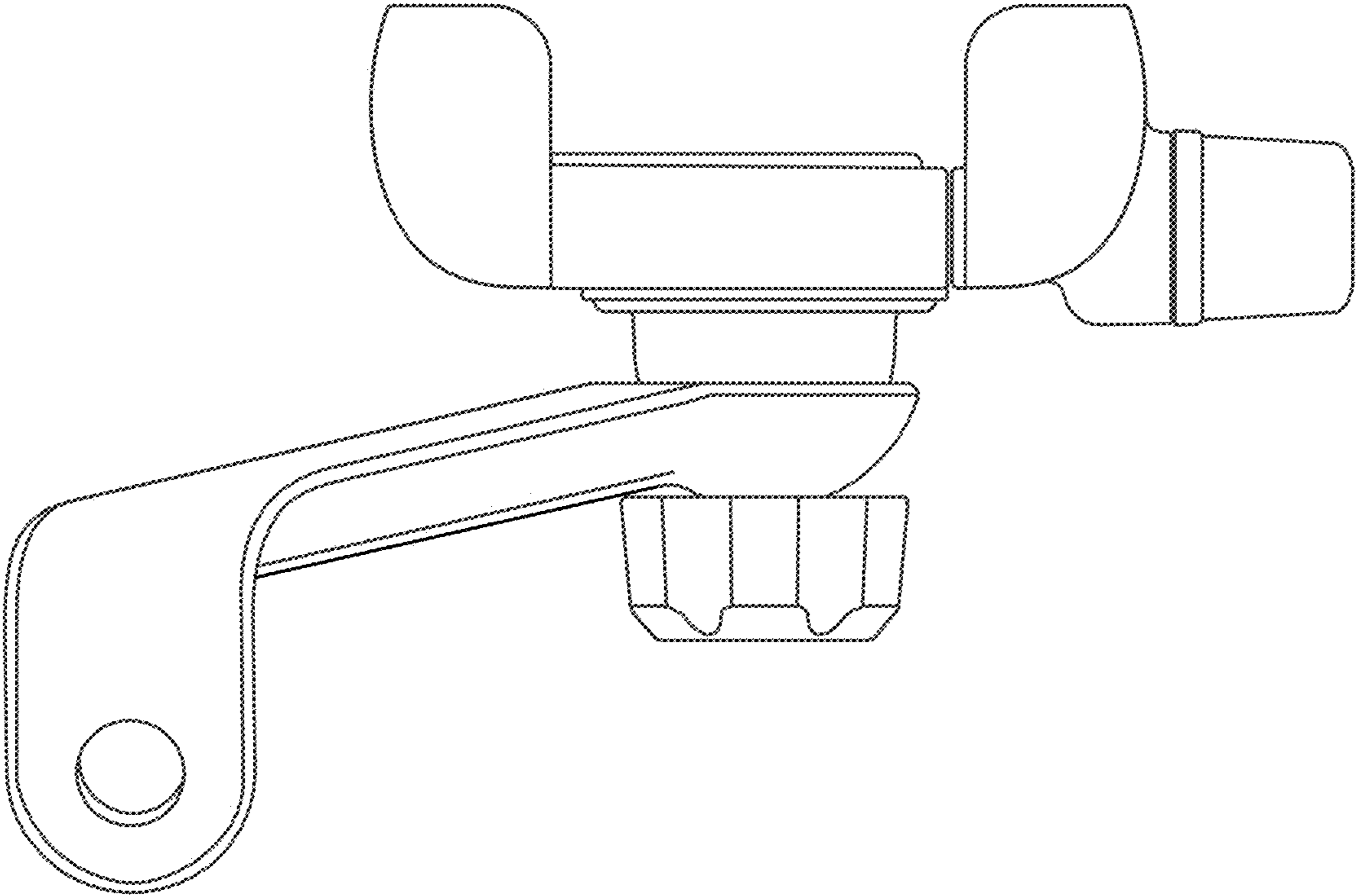
1.3



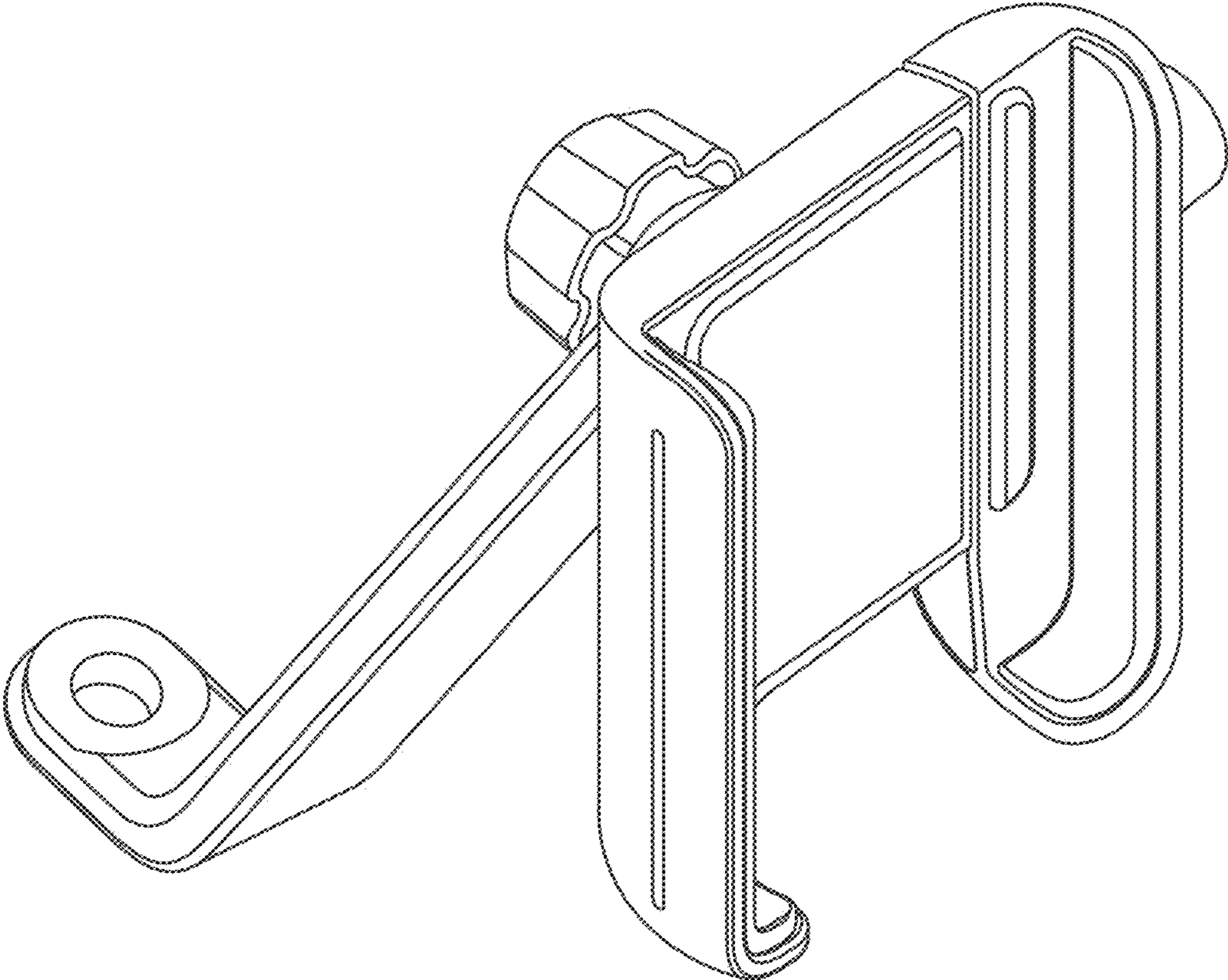
1.4



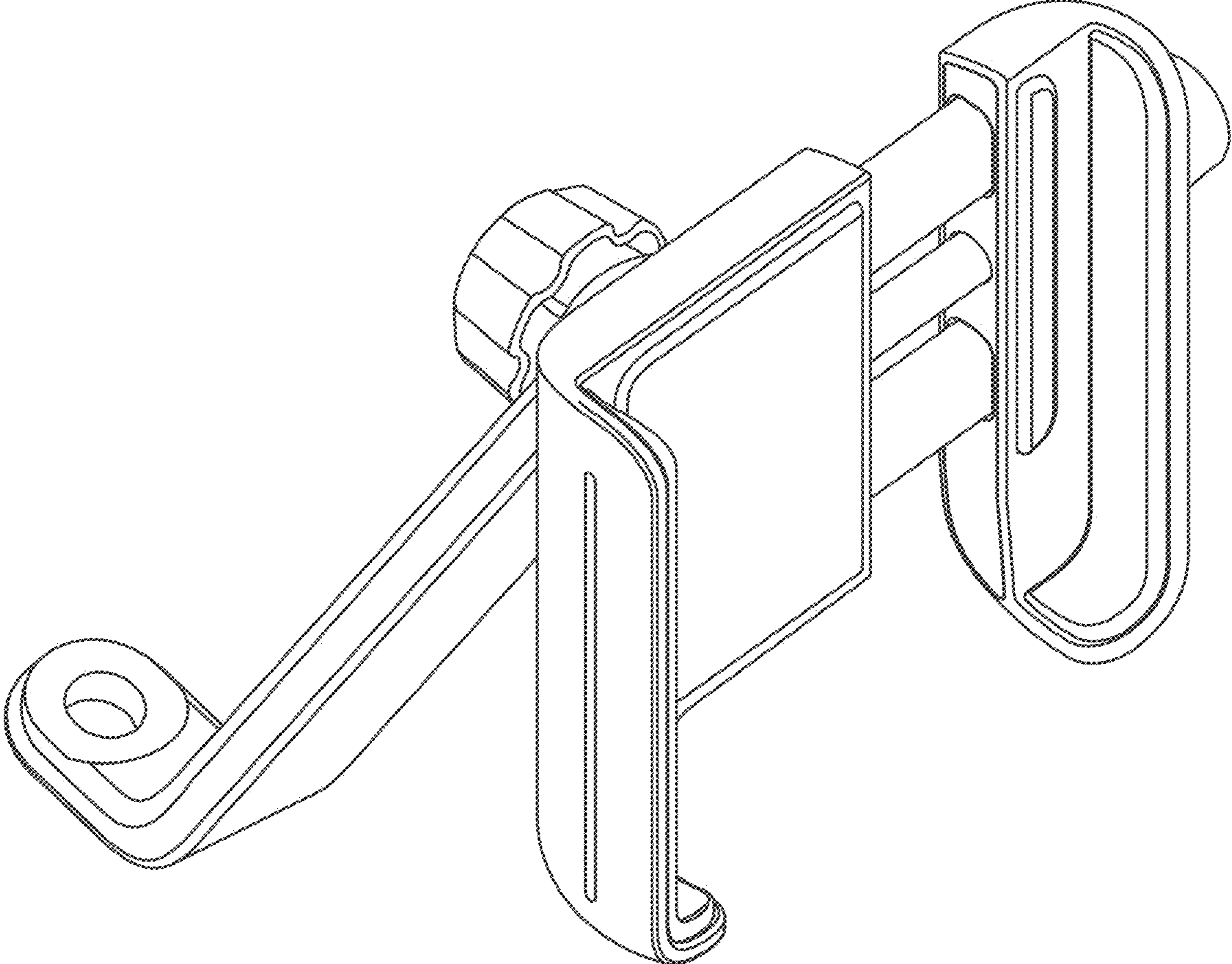
1.5



1.6



1.7



1.8



2.1



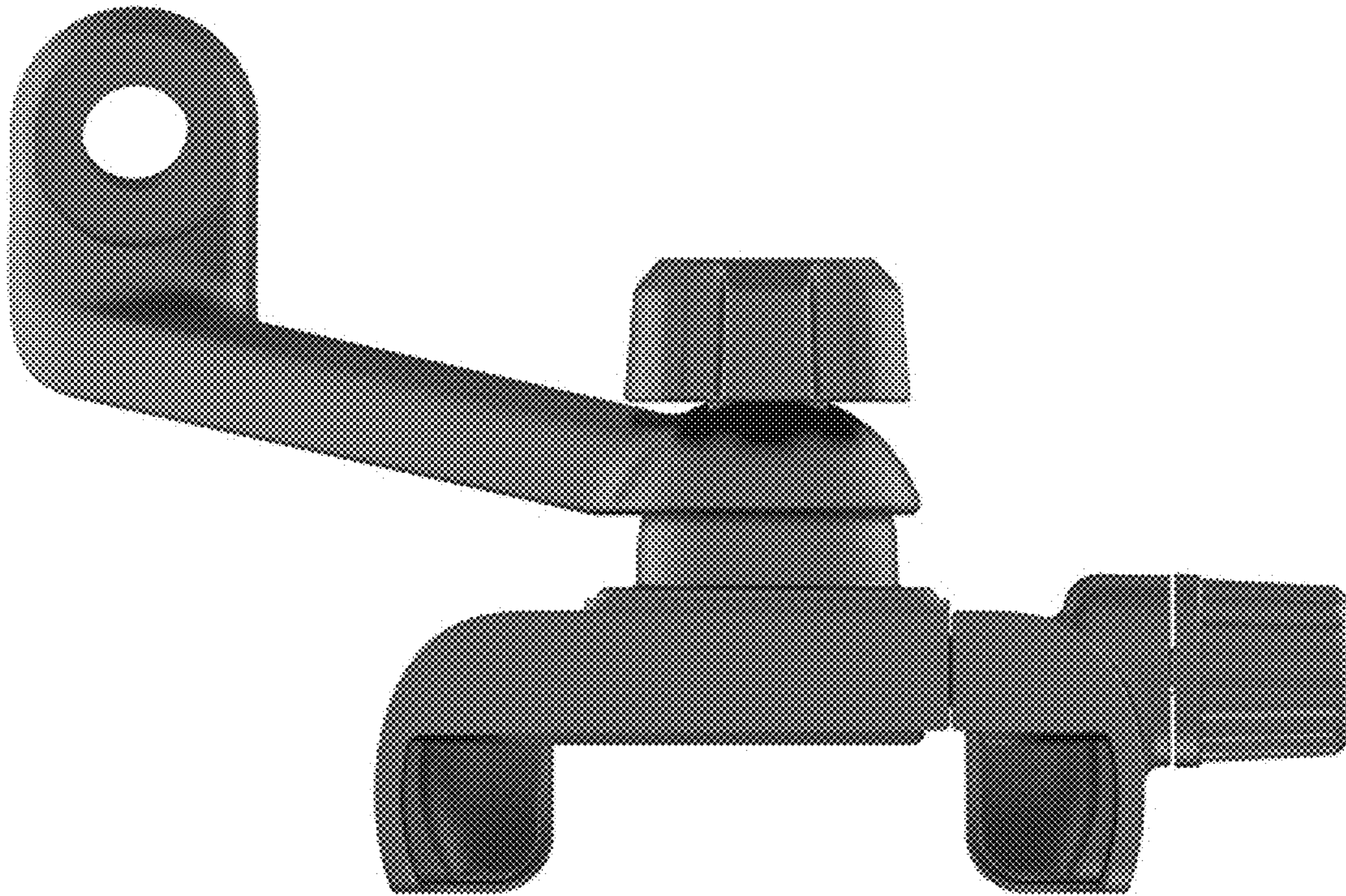
2.2



2.3



2.4



2.5



2.6



2.7



2.8