



US00D946563S

(12) **United States Design Patent Law** (10) **Patent No.: US D946,563 S**
(45) **Date of Patent: ** *Mar. 22, 2022**

(54) **SMART HOLDER FOR MOBILE PHONE OR CAMERA**

(71) Applicant: **INNOPLAY LIMITED**, Hong Kong (HK)

(72) Inventor: **Wan Fu Law**, Hong Kong (HK)

(73) Assignee: **INNOPLAY LIMITED**, Hong Kong (HK)

(*) Notice: This patent is subject to a terminal disclaimer.

(**) Term: **15 Years**

(21) Appl. No.: **29/710,174**

(22) Filed: **Oct. 21, 2019**

(51) **LOC (13) Cl.** **14-03**

(52) **U.S. Cl.**
USPC **D14/253**; D16/243; D16/244

(58) **Field of Classification Search**
USPC D14/251–253, 250, 447, 217; D3/218;
D16/204, 242–244; D12/415; D8/354,
D8/363, 373, 380
CPC A47B 21/04; A47B 2097/006; A47B
2097/005; A47B 2023/49; A45C
2011/002; A45C 2011/003; F16M
2200/00; F16M 13/00; F16M 11/18;
F16M 11/04; B60R 11/02
See application file for complete search history.

(56) **References Cited**

U.S. PATENT DOCUMENTS

D678,387 S *	3/2013	Stump	D16/244
D787,499 S *	5/2017	Lee	D14/253
D799,465 S *	10/2017	Sukphist	D14/253
D841,724 S *	2/2019	Huang	D16/243
D852,872 S *	7/2019	Fang	D16/243
D852,873 S *	7/2019	Fang	D16/243

D882,672 S *	4/2020	Xia	D16/243
D883,369 S *	5/2020	Xia	D16/243
D900,917 S *	11/2020	Chen	D16/243
D907,687 S *	1/2021	Fang	D16/244
D911,425 S *	2/2021	Shan	D16/243
D921,096 S *	6/2021	Chen	D16/243
2017/0241589 A1 *	8/2017	Wang	F16M 11/08
2018/0066792 A1 *	3/2018	Chen	F16M 13/04

OTHER PUBLICATIONS

Innoplay Limited, Lumi Mark II, accessed online on Mar. 23, 2020, at <<<https://kinofi.com/products/lumi-mark-ii>>>.
Innoplay Limited, Pixi Pano 360, Hong Kong Electronics Fair, Oct. 13, 2018, accessed online at <<<https://www.techritual.com/2018/10/14/171763/>>>.

* cited by examiner

Primary Examiner — Janice Hallmark

(74) *Attorney, Agent, or Firm* — Novick, Kim & Lee, PLLC; Allen Xue; Hyun Woo Shin

(57) **CLAIM**

I claim the ornamental design for a smart holder for mobile phone or camera, as shown and described.

DESCRIPTION

FIG. 1 is a perspective view of a smart holder for mobile phone or camera, showing my new design;
FIG. 2 is a front elevational view thereof;
FIG. 3 is a rear elevational view thereof;
FIG. 4 is a right side elevational view thereof;
FIG. 5 is a left side elevational view thereof;
FIG. 6 is a top plan view thereof;
FIG. 7 is a bottom plan view thereof;
FIG. 8 is a reference view thereof showing a configuration of use; and,
FIG. 9 is another reference view thereof showing another configuration of use.

1 Claim, 9 Drawing Sheets

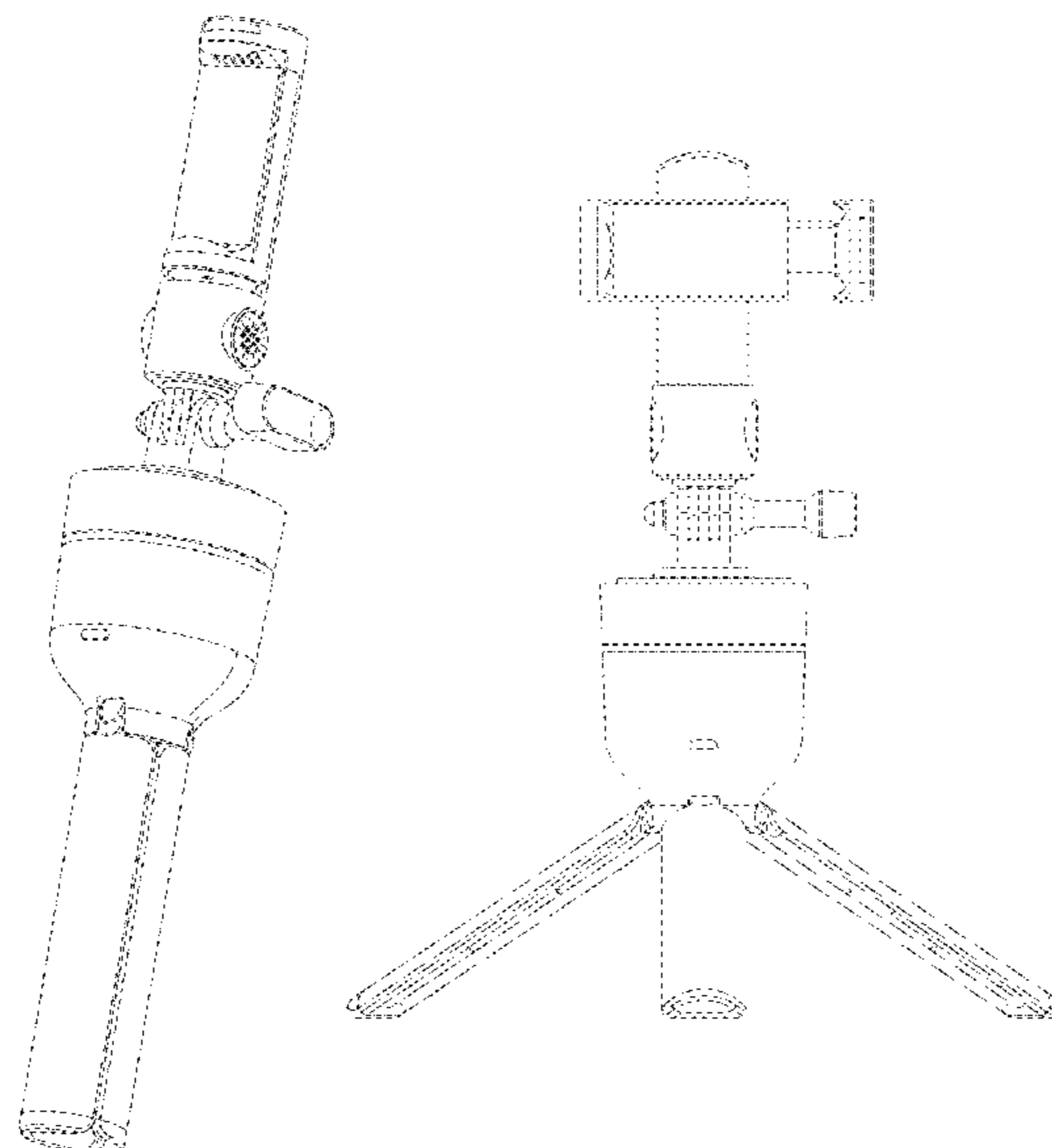


FIG. 1

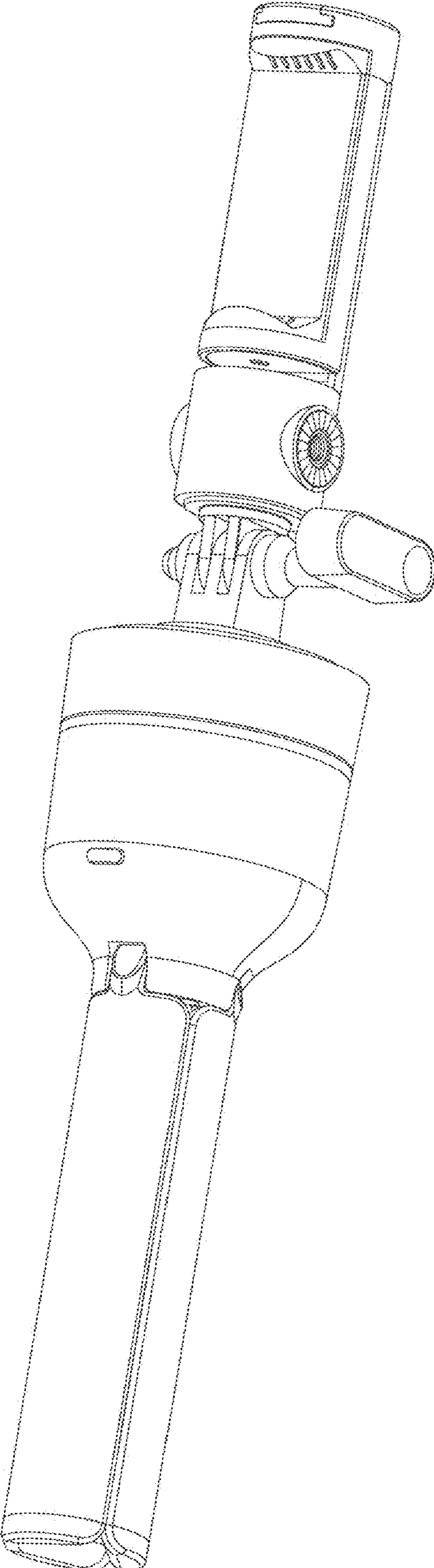


FIG. 2

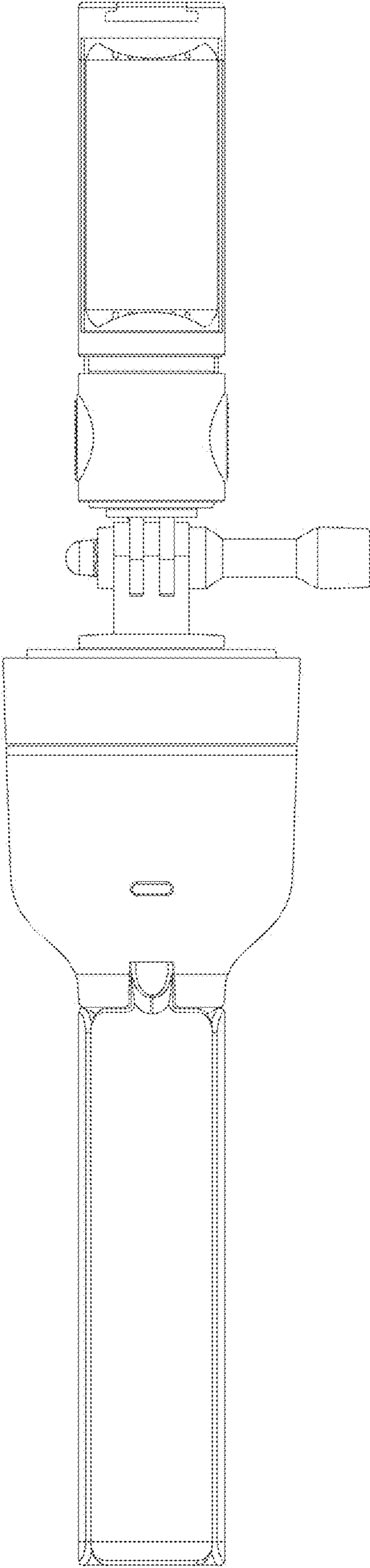


FIG. 3

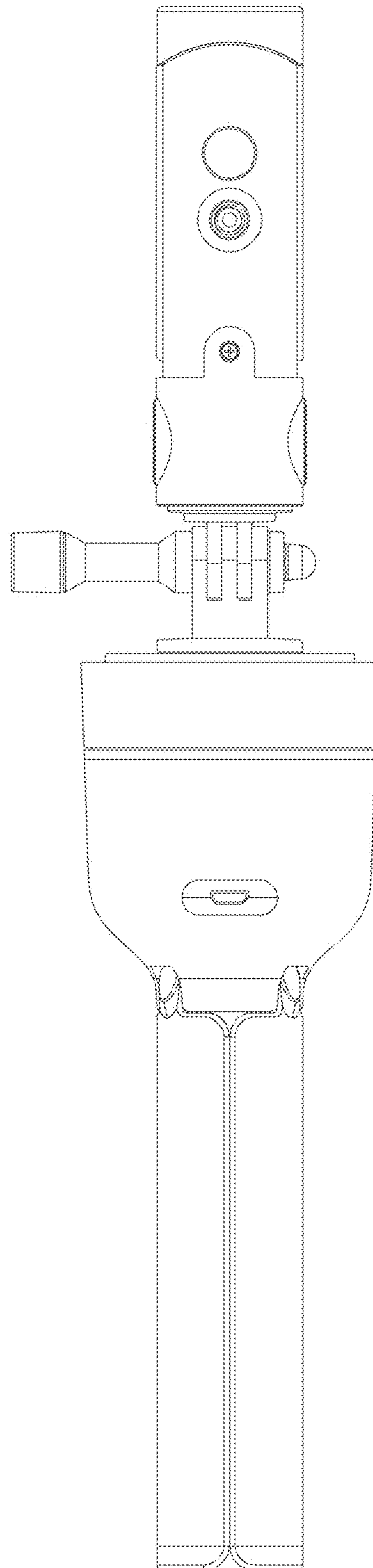


FIG. 4

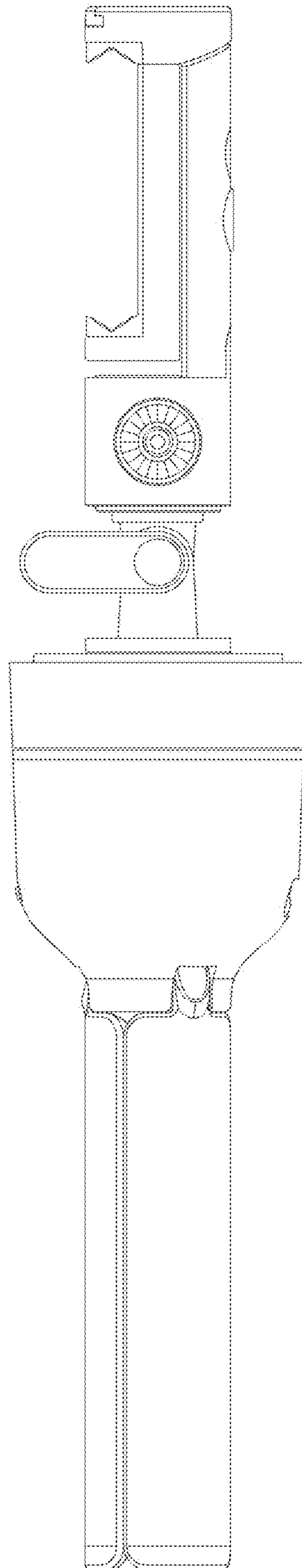


FIG. 5

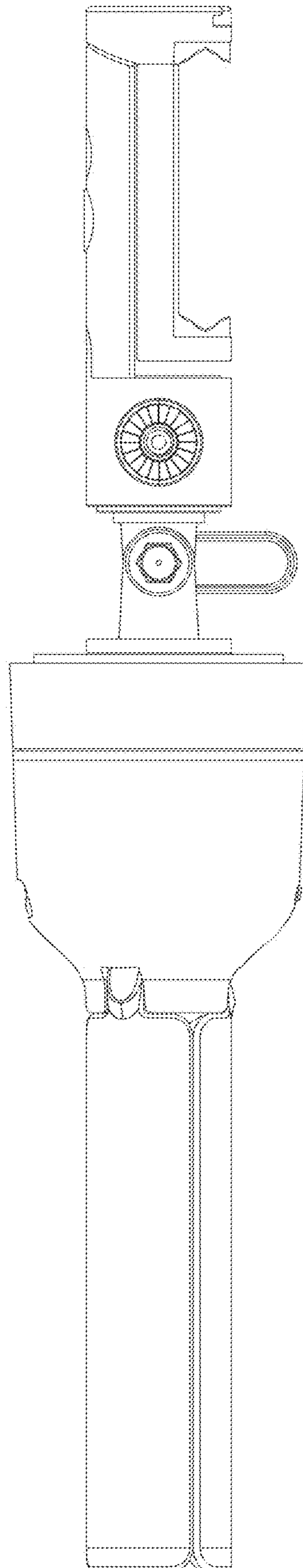


FIG. 6

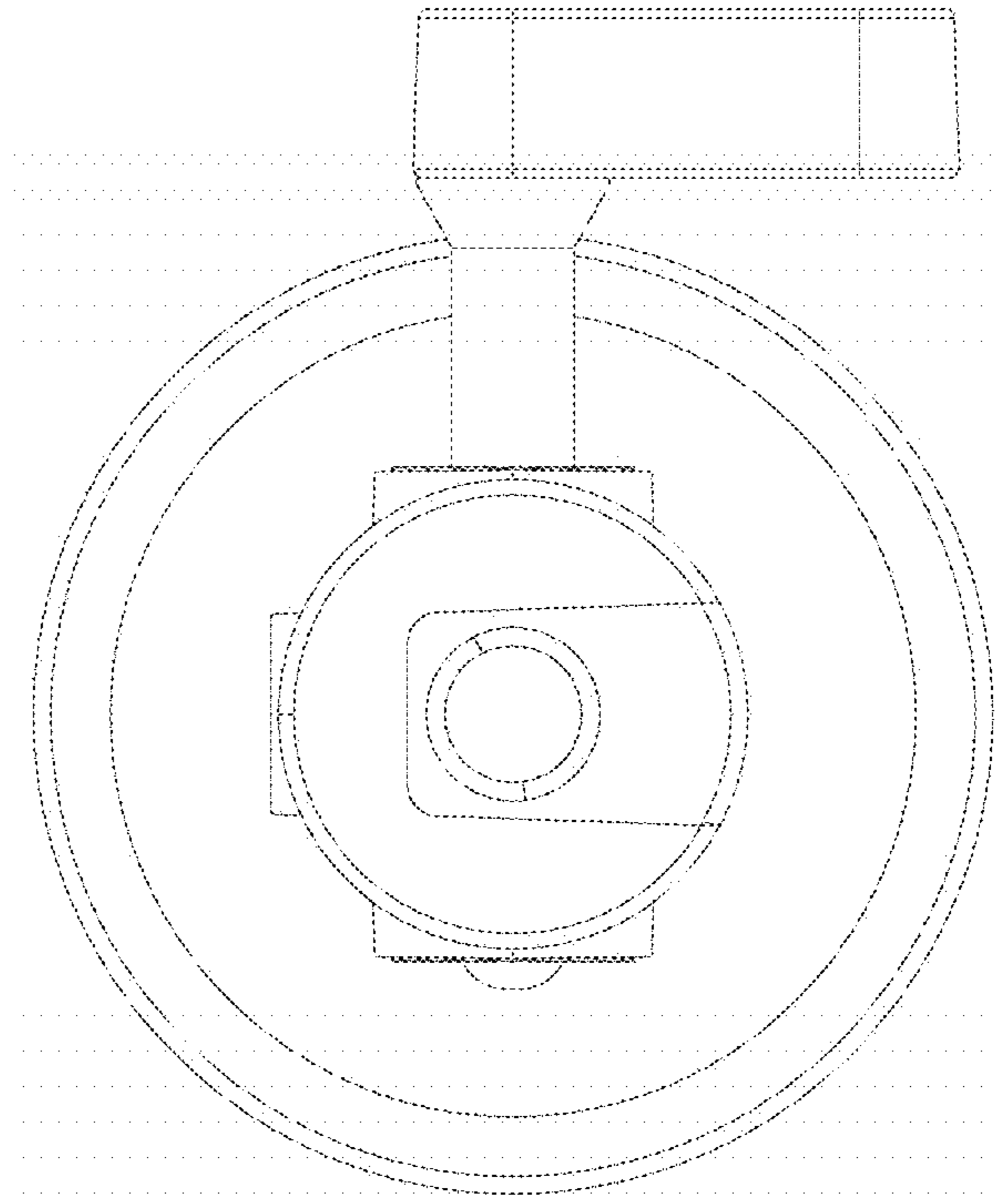


FIG. 7

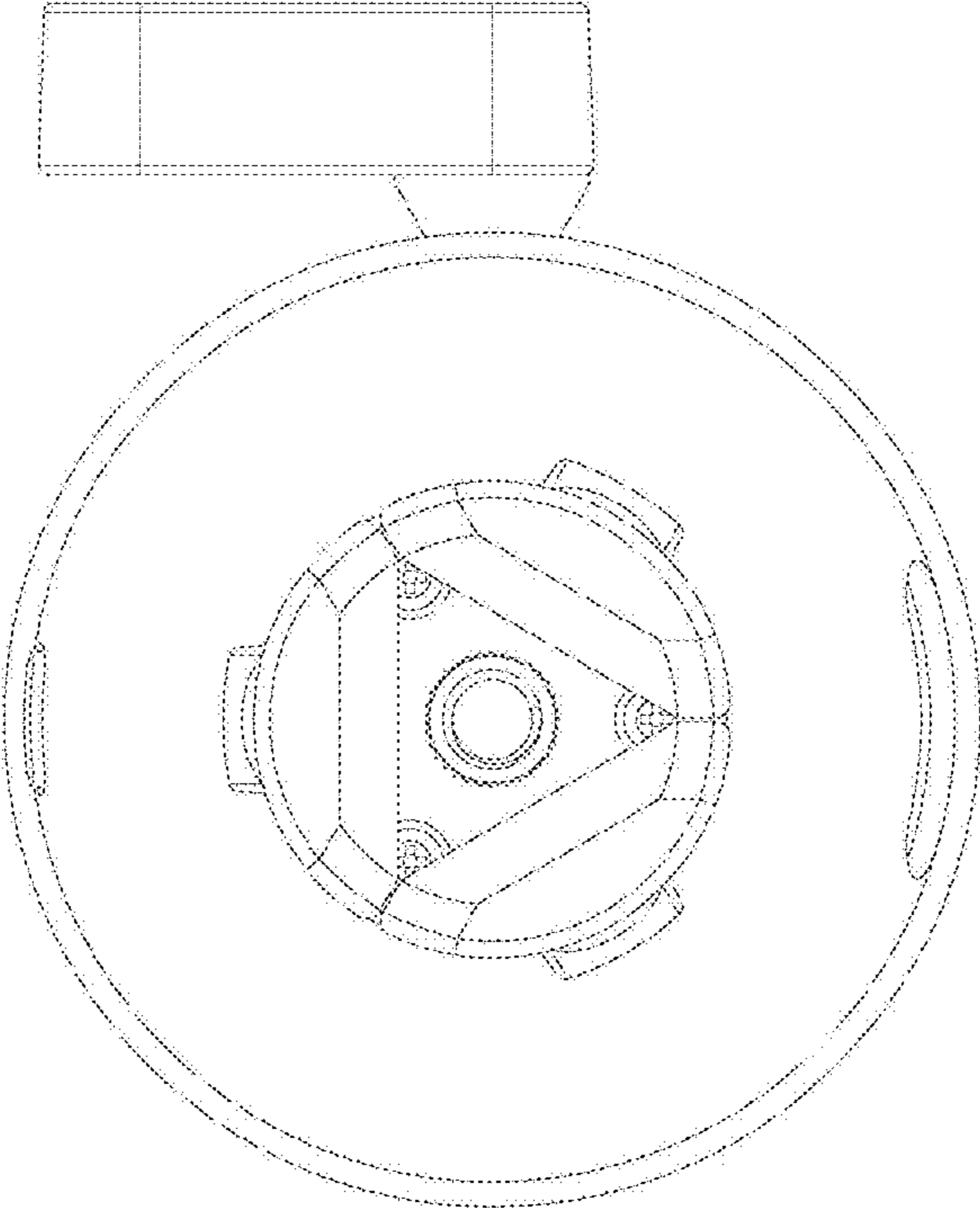


FIG. 8

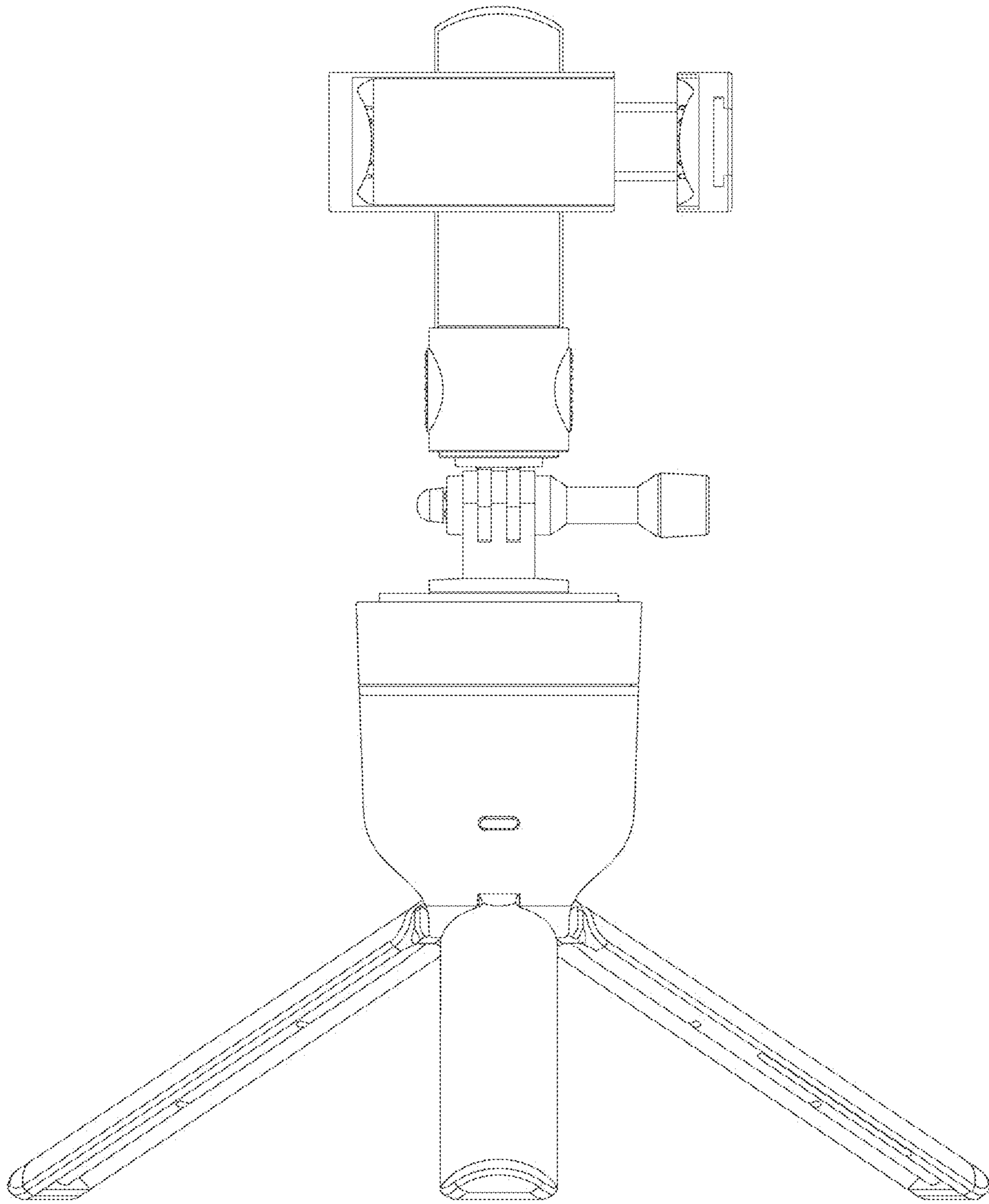


FIG. 9

