



US00D946559S

(12) **United States Design Patent**  
**Varela et al.**

(10) **Patent No.:** **US D946,559 S**  
(45) **Date of Patent:** **\*\* Mar. 22, 2022**

(54) **ELECTRONIC DEVICE**

- (71) Applicant: **Amazon Technologies, Inc.**, Seattle, WA (US)
- (72) Inventors: **Felipe A. Varela**, San Jose, CA (US); **Jonathan Howard Biddle**, San Francisco, CA (US); **Marc Rene Walliser**, San Francisco, CA (US)
- (73) Assignee: **Amazon Technologies, Inc.**, Seattle, WA (US)
- (\*\*) Term: **15 Years**

- (21) Appl. No.: **29/751,842**
- (22) Filed: **Sep. 23, 2020**
- (51) **LOC (13) Cl.** ..... **14-03**
- (52) **U.S. Cl.**  
USPC ..... **D14/240**
- (58) **Field of Classification Search**  
USPC .... D14/240, 242, 357, 358, 140-140.9, 155, D14/125, 137, 139, 243, 348, 349, 351, D14/354, 355, 230; D10/106.9  
CPC ..... H04L 12/00; H03K 17/00; H04W 88/00; H04W 88/005; H04W 88/02; H04W 88/08; H04W 88/085; H04W 88/10; H04W 88/12; H04W 88/14; H04B 1/38; E05B 73/0017; Y10T 70/5004; B60R 2325/20; B60B 7/16  
See application file for complete search history.

(56) **References Cited**

**U.S. PATENT DOCUMENTS**

D234,684 S *	4/1975	Olson	.....	D10/98
D301,877 S *	6/1989	Greenberg	.....	D14/242
D409,199 S *	5/1999	Taguchi	.....	D14/217
D430,873 S *	9/2000	Parker	.....	D12/400
D483,353 S *	12/2003	Hyogo	.....	D14/230

(Continued)

**OTHER PUBLICATIONS**

Chinese Office Action dated Jun. 3, 2021 for Chinese Patent Application No. 20213013655.3, a foreign counterpart to U.S. Appl. No. 29/751,842, 2 pages.  
(Continued)

*Primary Examiner* — Bridget L Eland  
(74) *Attorney, Agent, or Firm* — Lee & Hayes, P.C.

(57) **CLAIM**

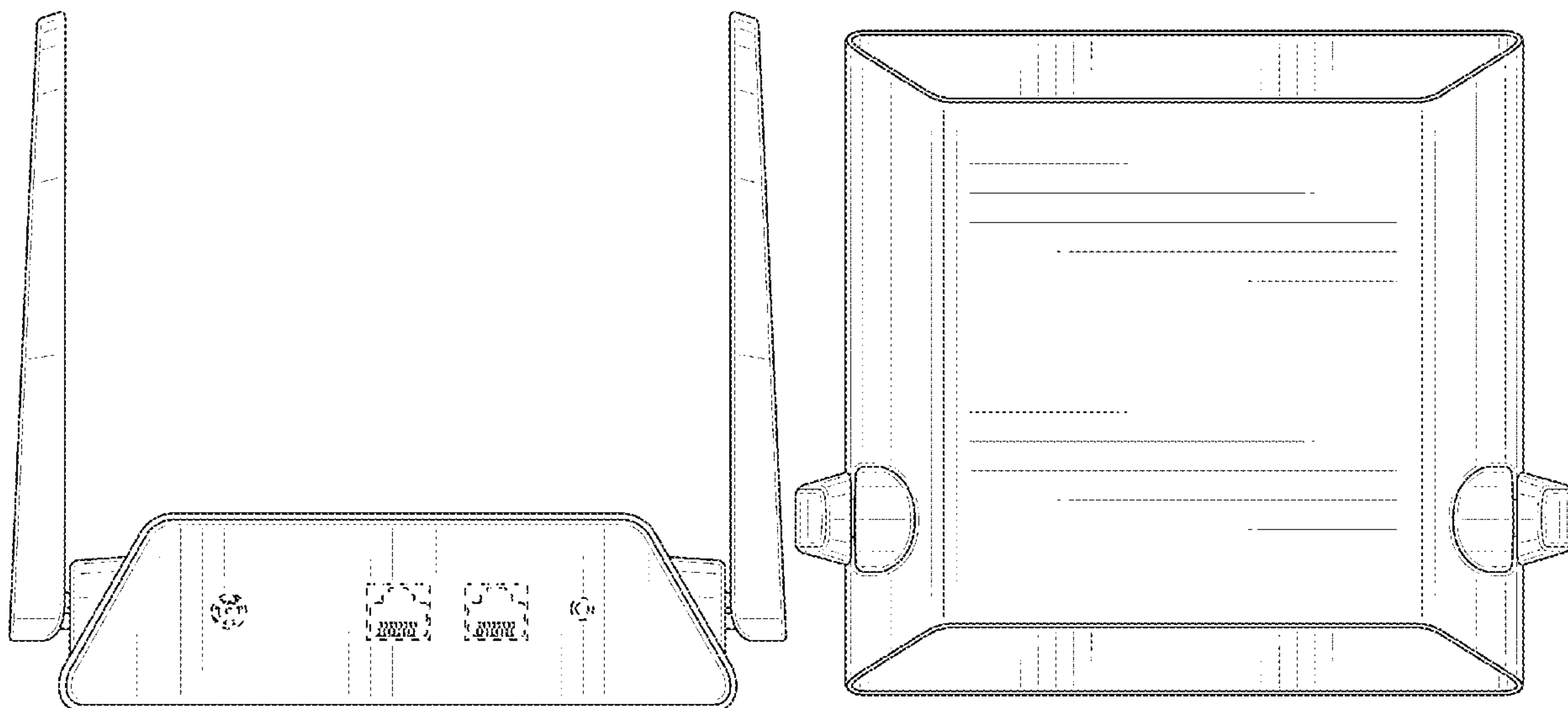
The ornamental design for an electronic device, as shown and described.

**DESCRIPTION**

FIG. 1 is a top, front, right-side perspective view of a first embodiment of an electronic device;  
 FIG. 2 is a bottom, front, right-side perspective view thereof;  
 FIG. 3 is a front view thereof;  
 FIG. 4 is a back view thereof;  
 FIG. 5 is a right-side view thereof;  
 FIG. 6 is a left-side view thereof;  
 FIG. 7 is a top view thereof;  
 FIG. 8 is a bottom view thereof;  
 FIG. 9 is a top, front, right-side perspective view of a second embodiment of an electronic device;  
 FIG. 10 is a bottom, front, right-side perspective view thereof;  
 FIG. 11 is a front view thereof;  
 FIG. 12 is a back view thereof;  
 FIG. 13 is a right-side view thereof;  
 FIG. 14 is a left-side view thereof;  
 FIG. 15 is a top view thereof; and  
 FIG. 16 is a bottom view thereof.

The dashed broken lines depict portions of the electronic device that form no part of the claimed design. The dot-dashed broken lines represent boundaries of the claimed electronic and form no part of the claimed design.

**1 Claim, 16 Drawing Sheets**



(56)

**References Cited**

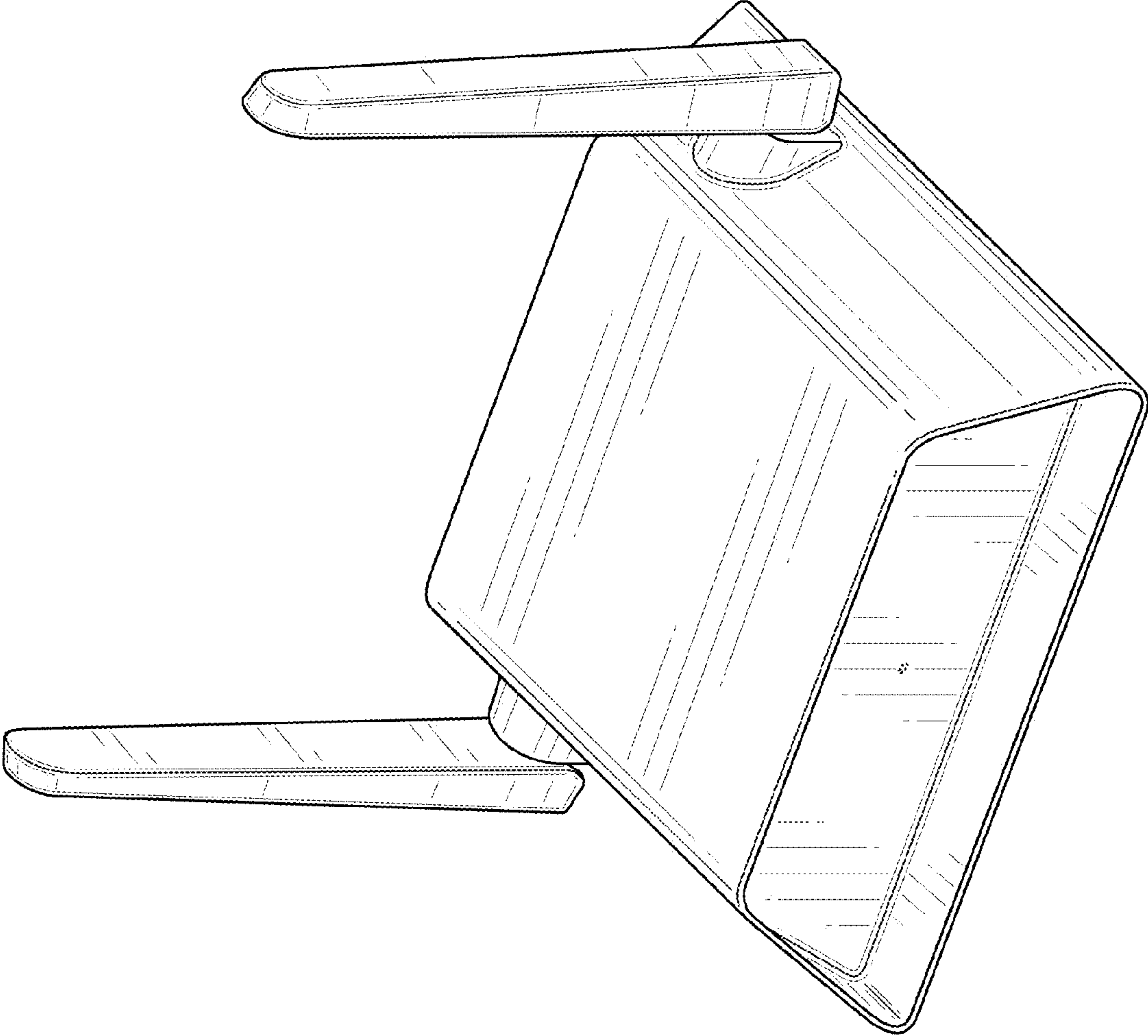
U.S. PATENT DOCUMENTS

D904,301 S \* 12/2020 Smalley ..... D13/110  
D908,116 S \* 1/2021 Ye ..... D14/240

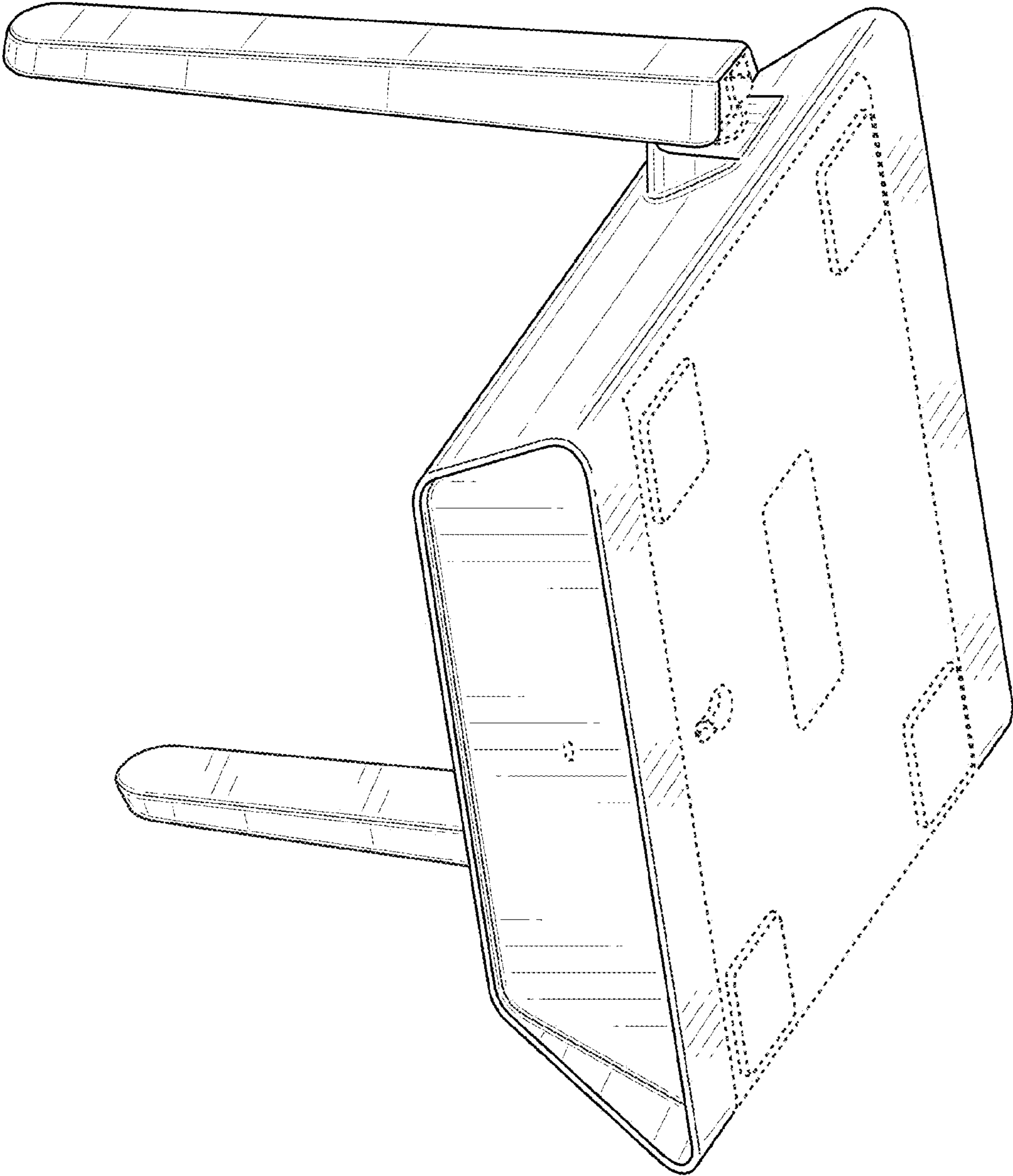
OTHER PUBLICATIONS

Indian Office Action dated Apr. 28, 2021 for Indian Patent Application No. 341077-001, a foreign counterpart of U.S. Appl. No. 29/751,842, 2 pages.

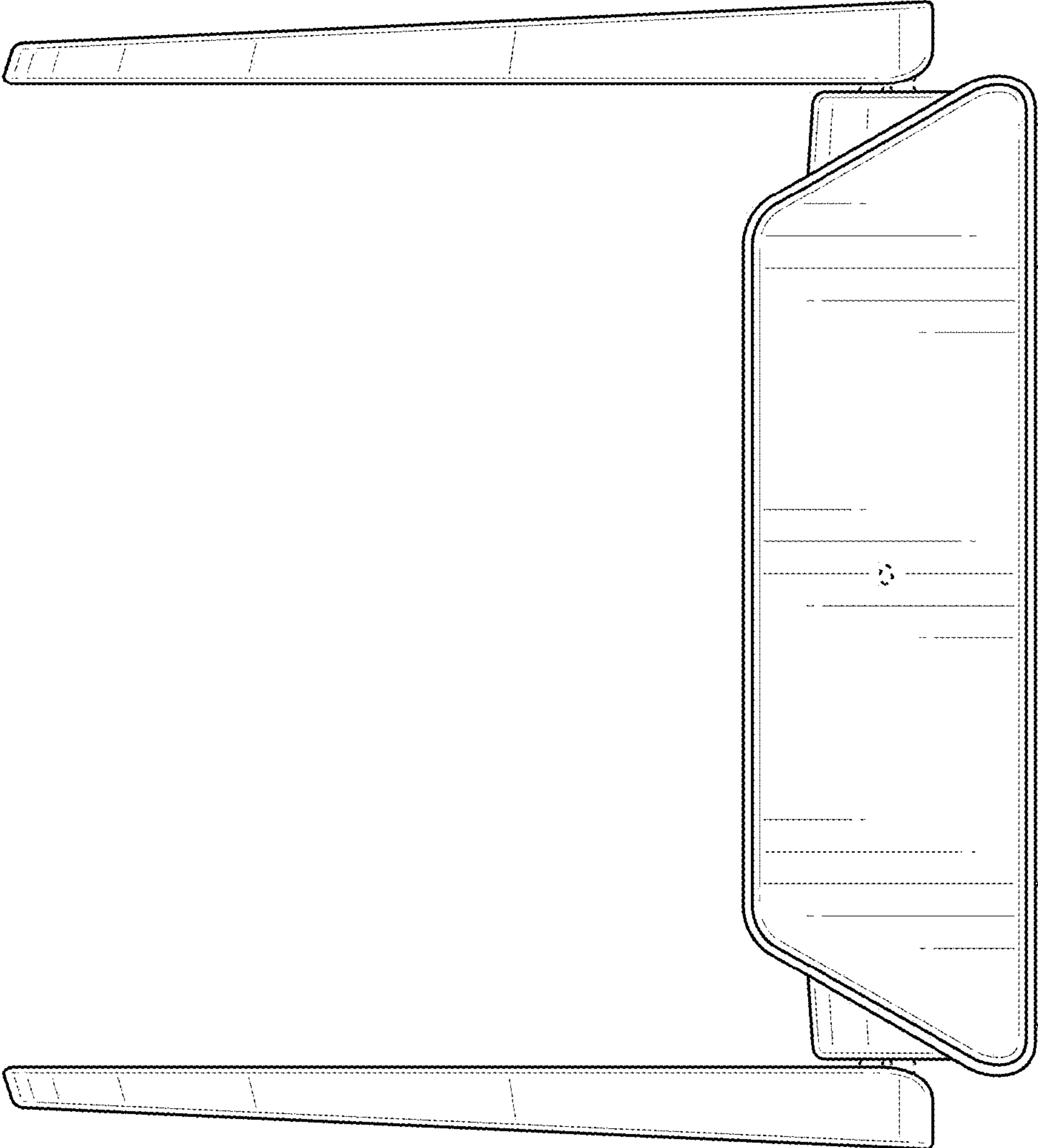
\* cited by examiner



**FIG. 1**

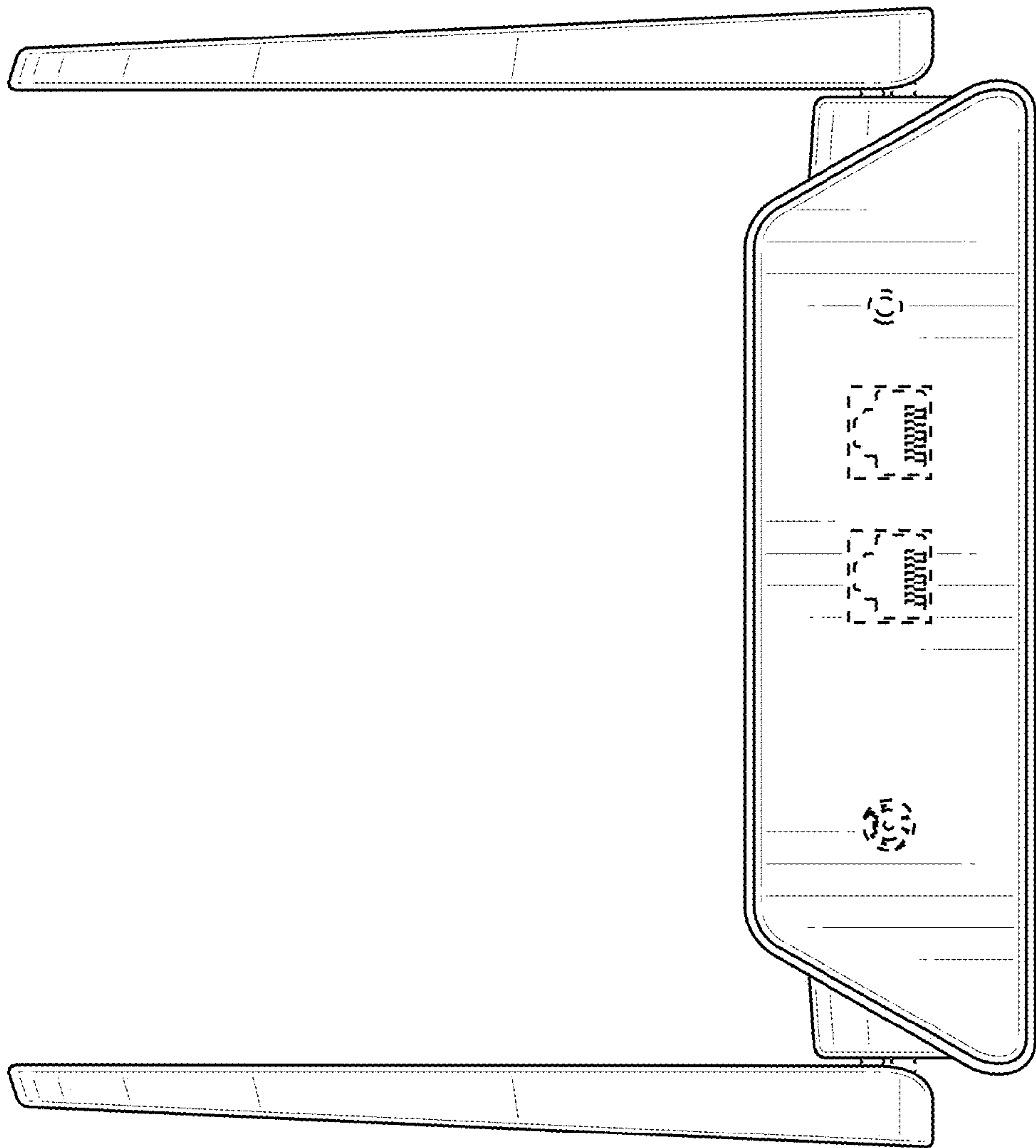


**FIG. 2**

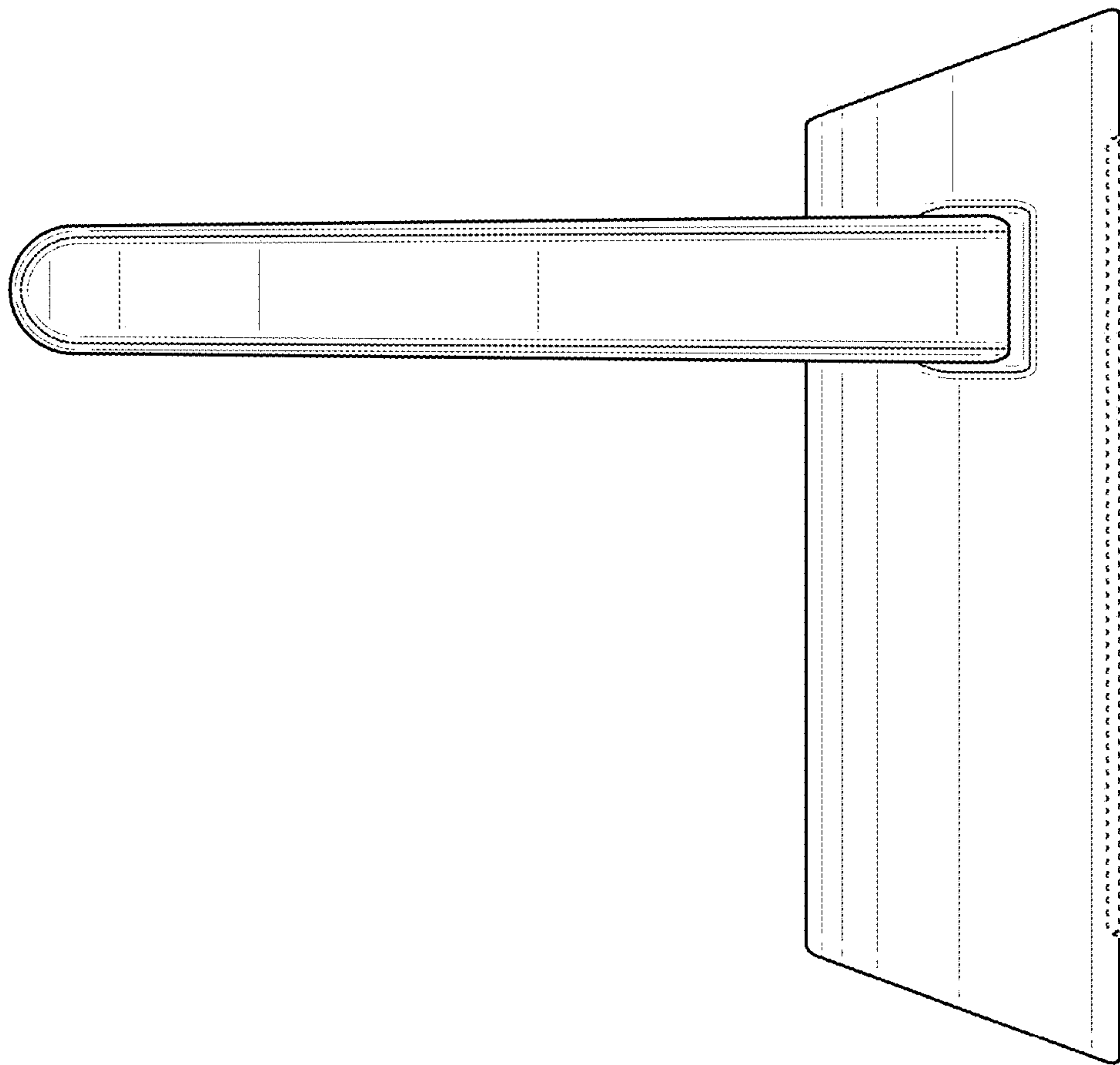


**FIG. 3**

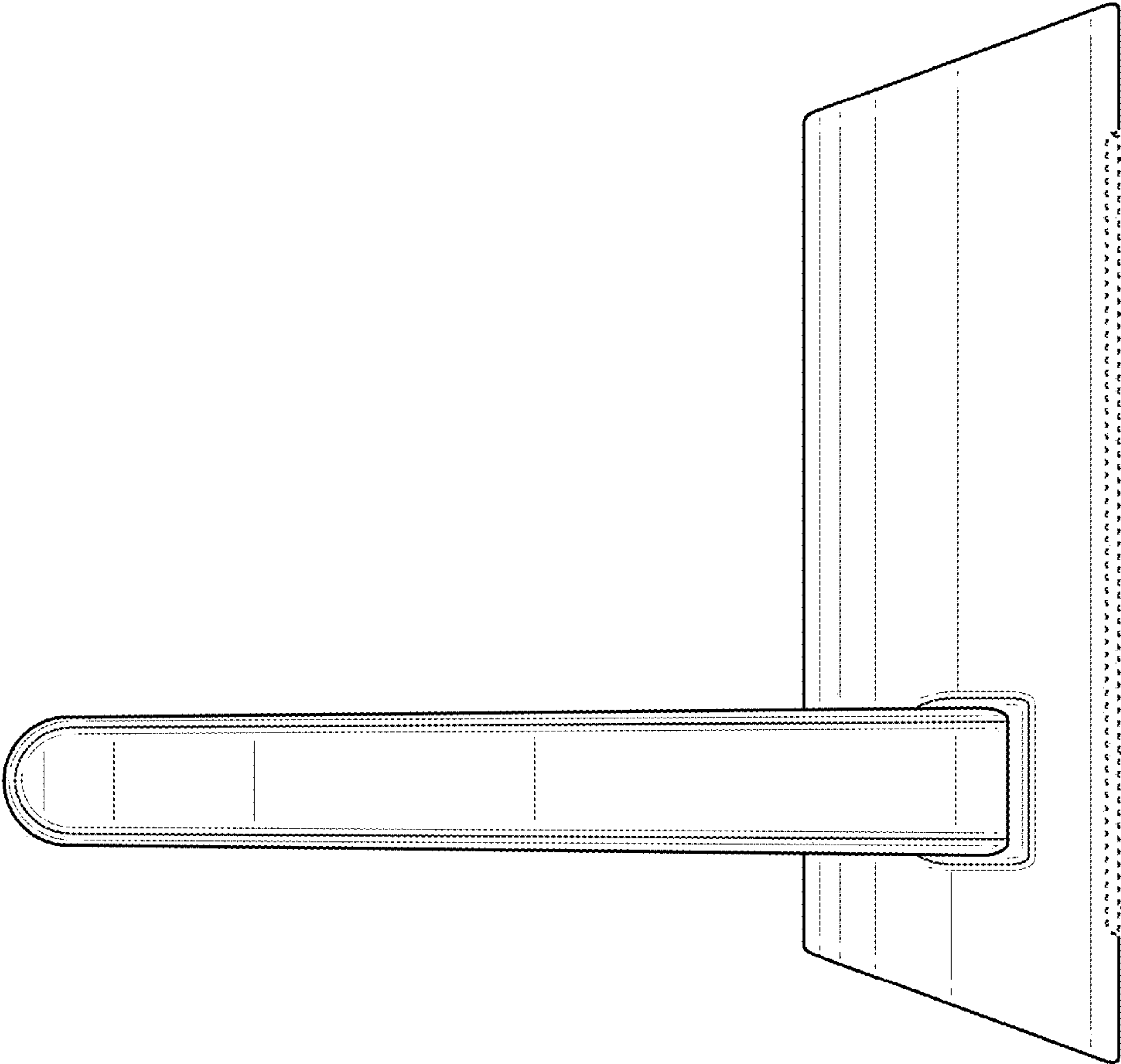




**FIG. 4**

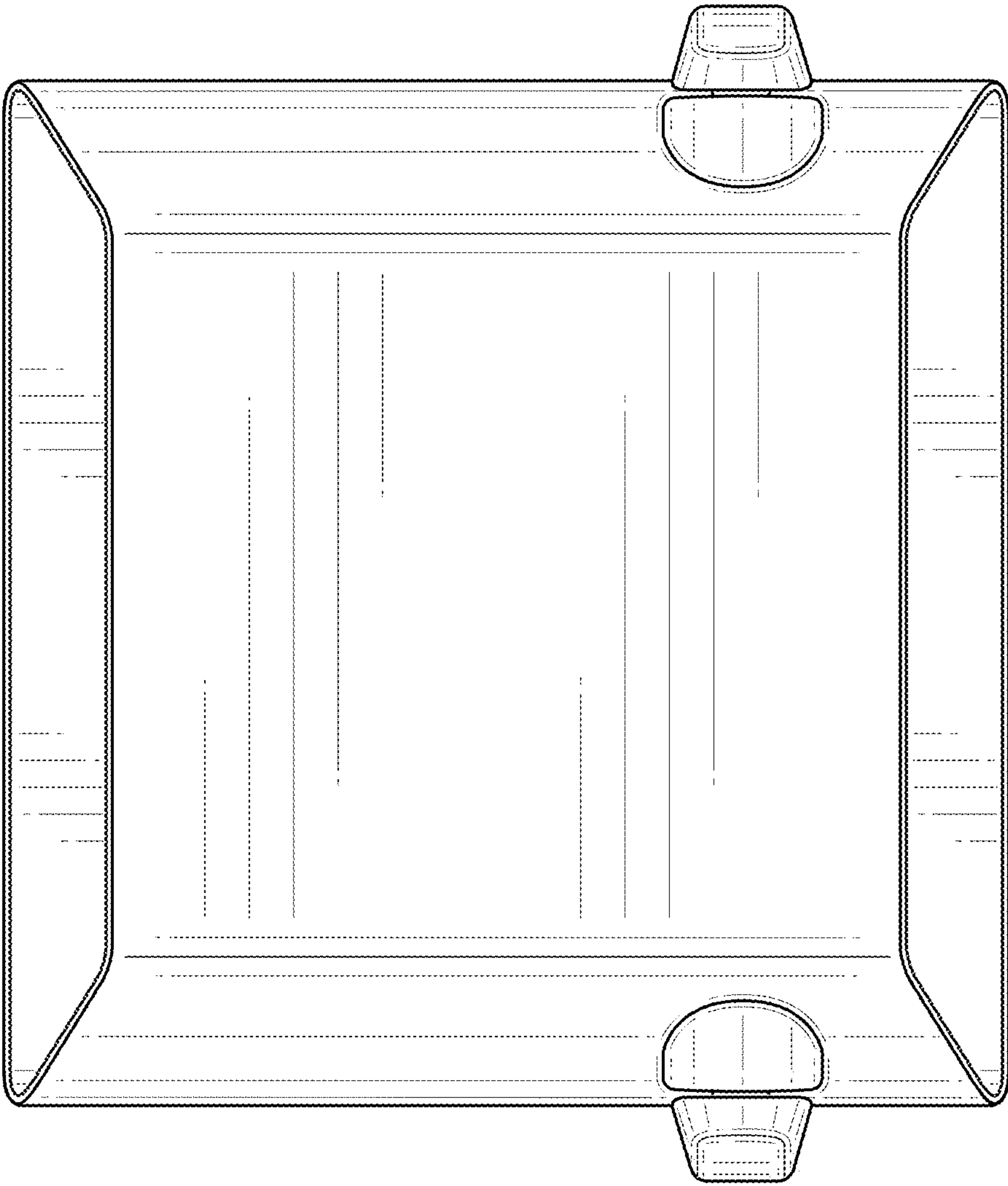


**FIG. 5**

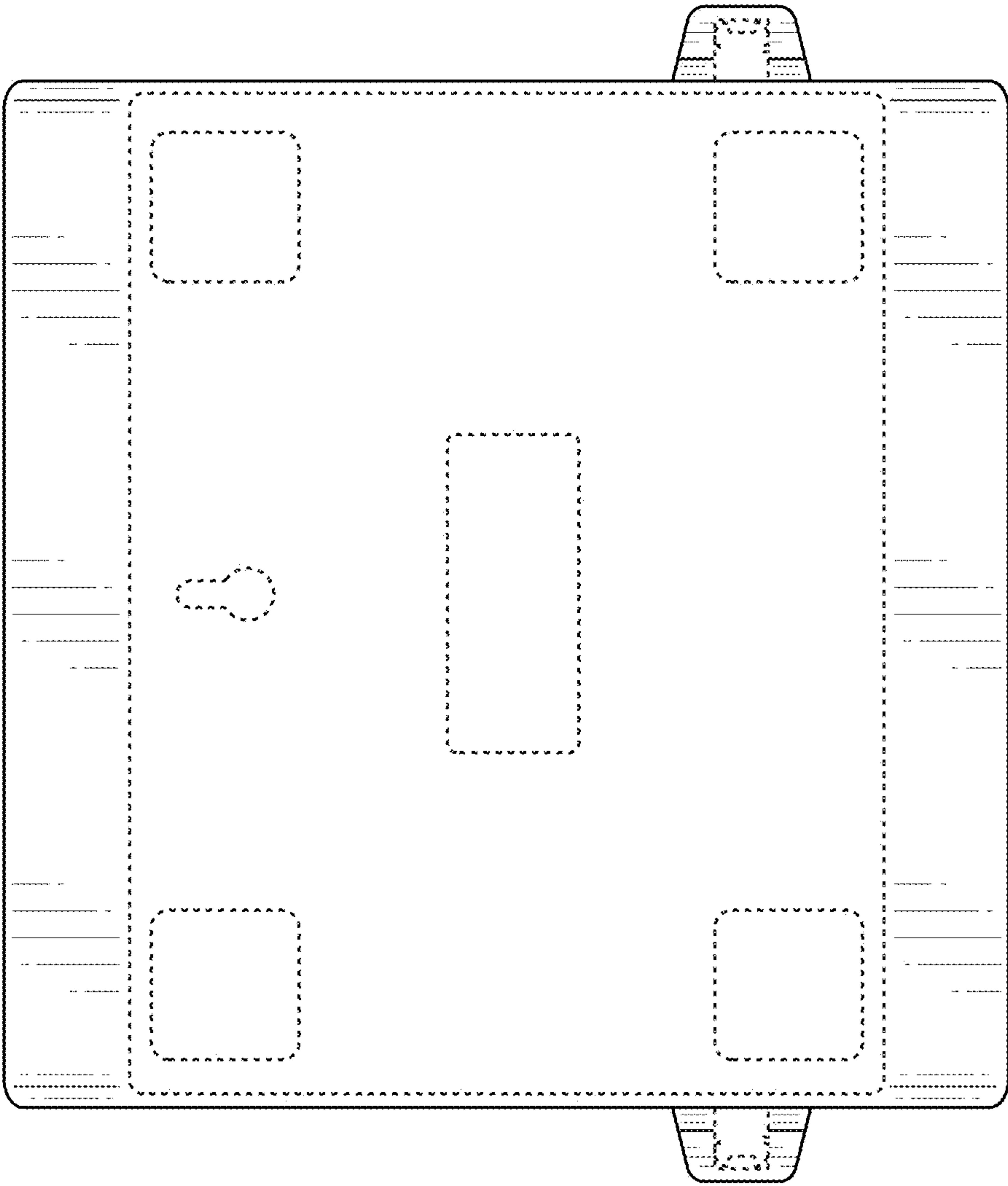


**FIG. 6**

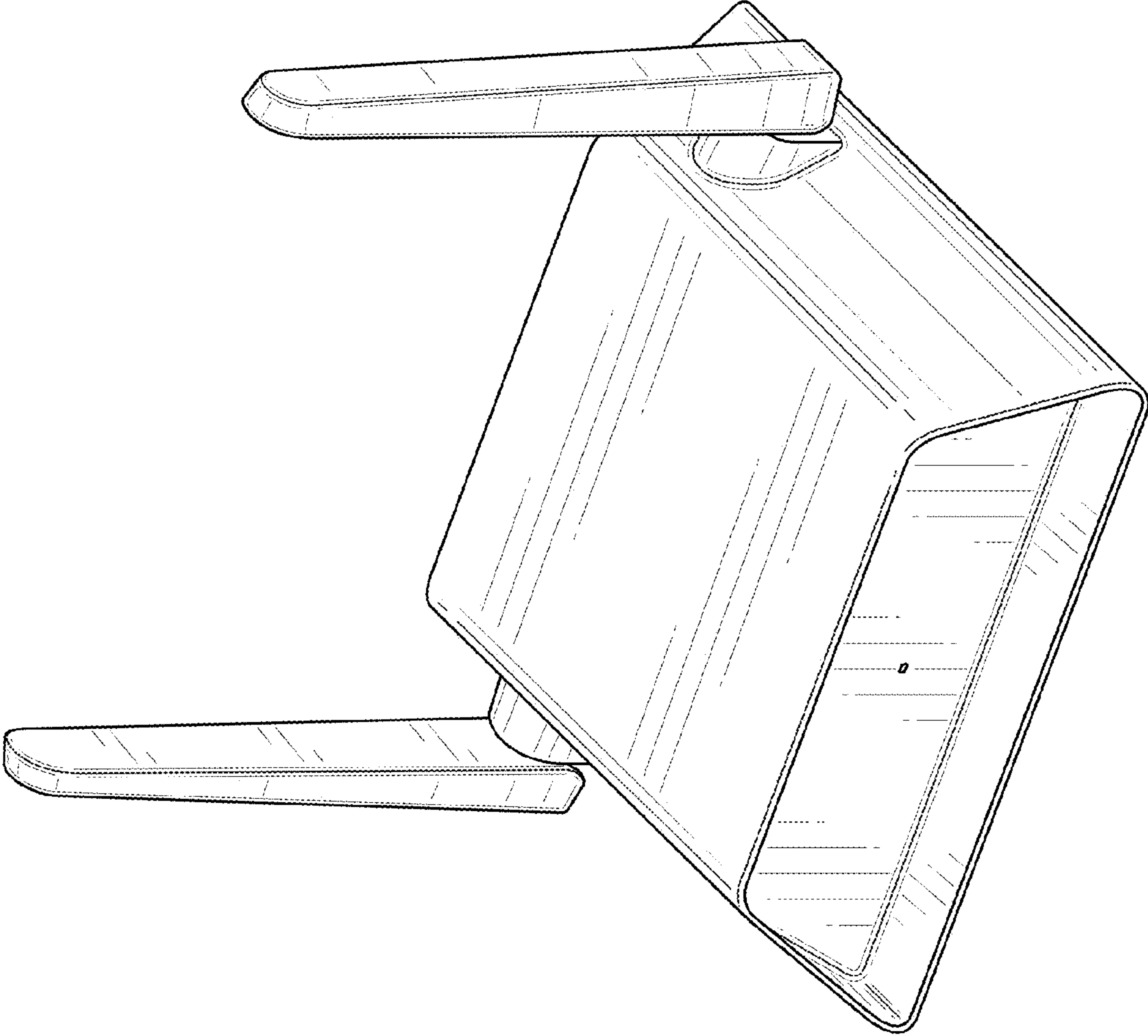




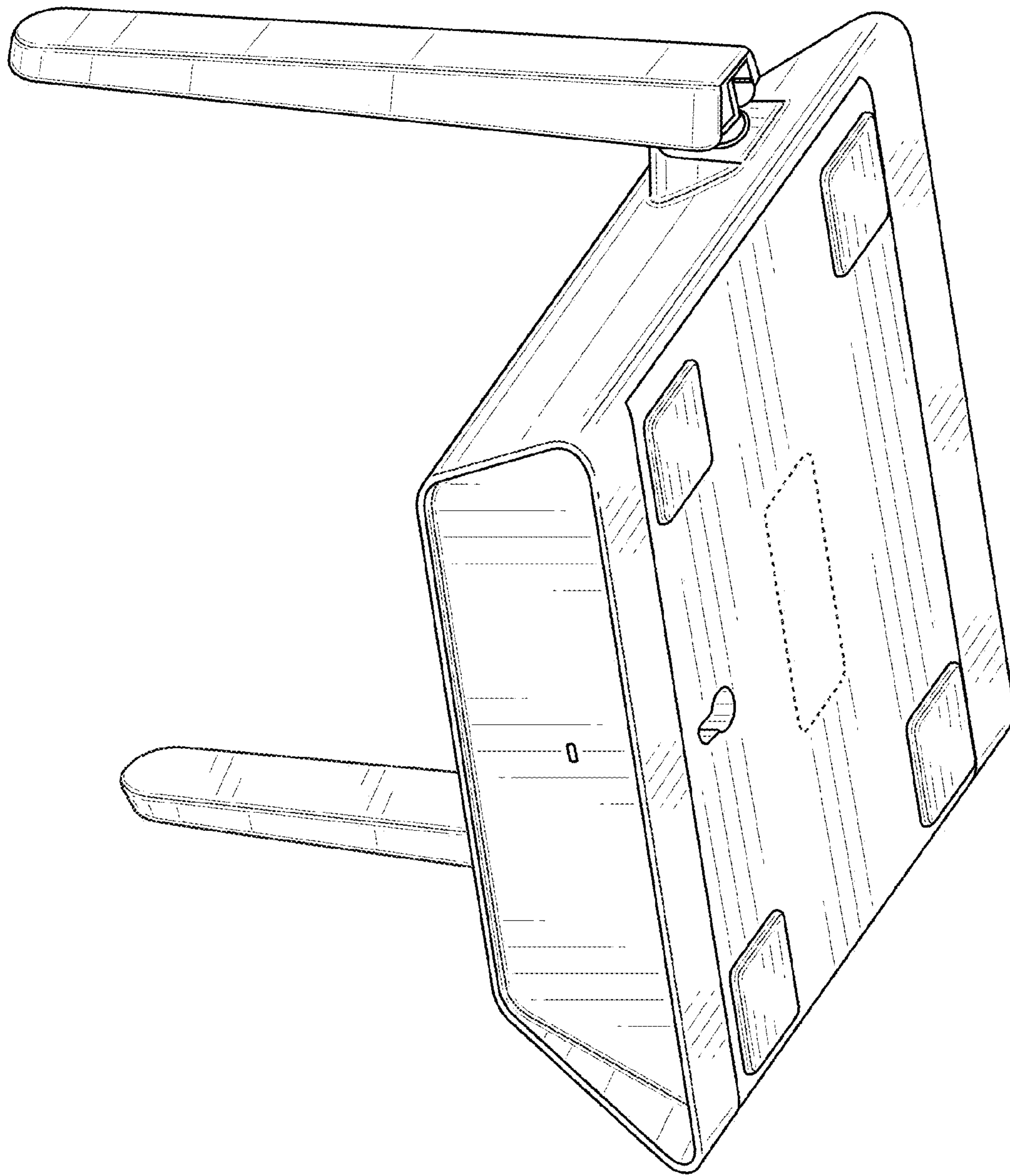
**FIG. 7**



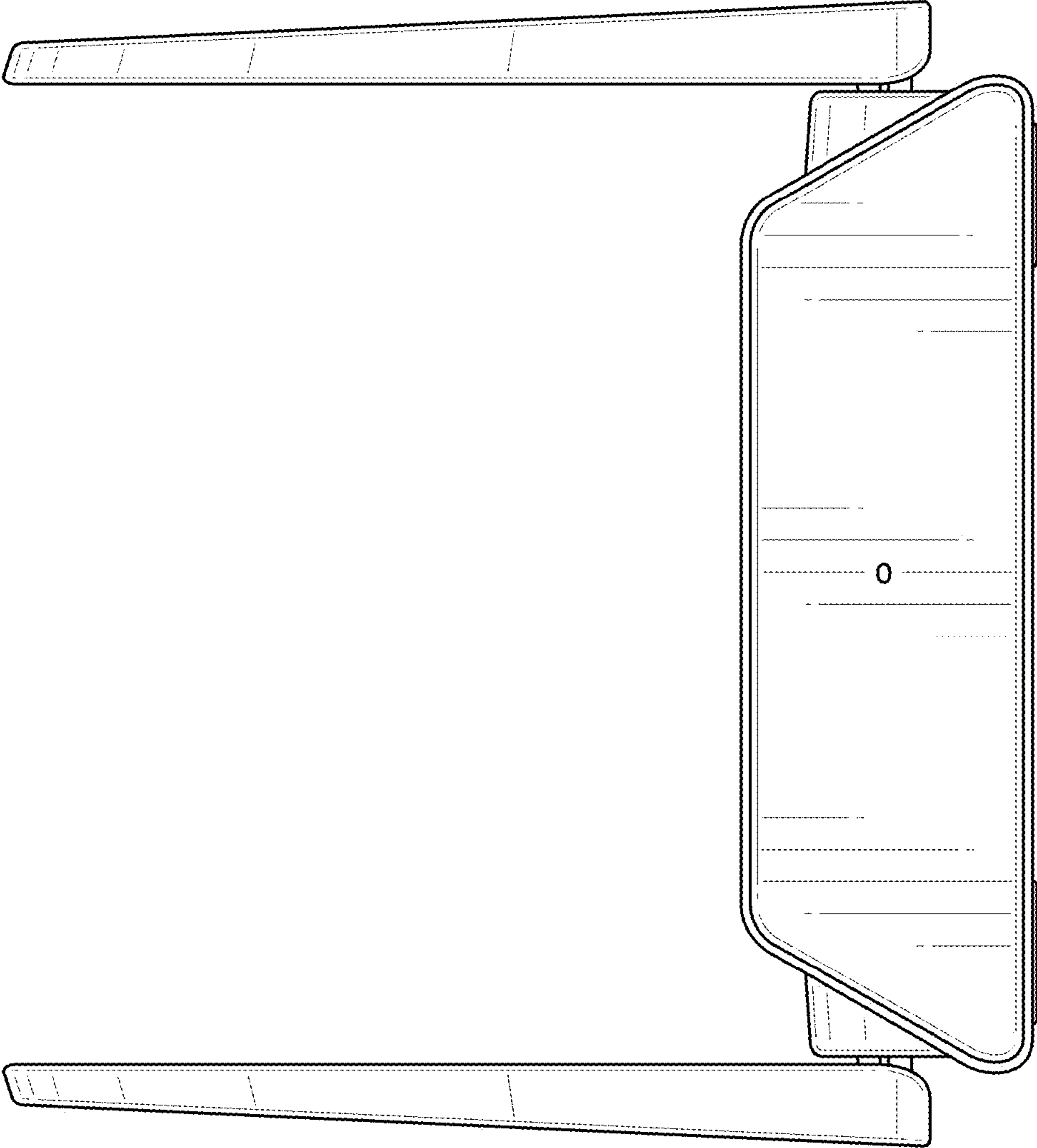
**FIG. 8**



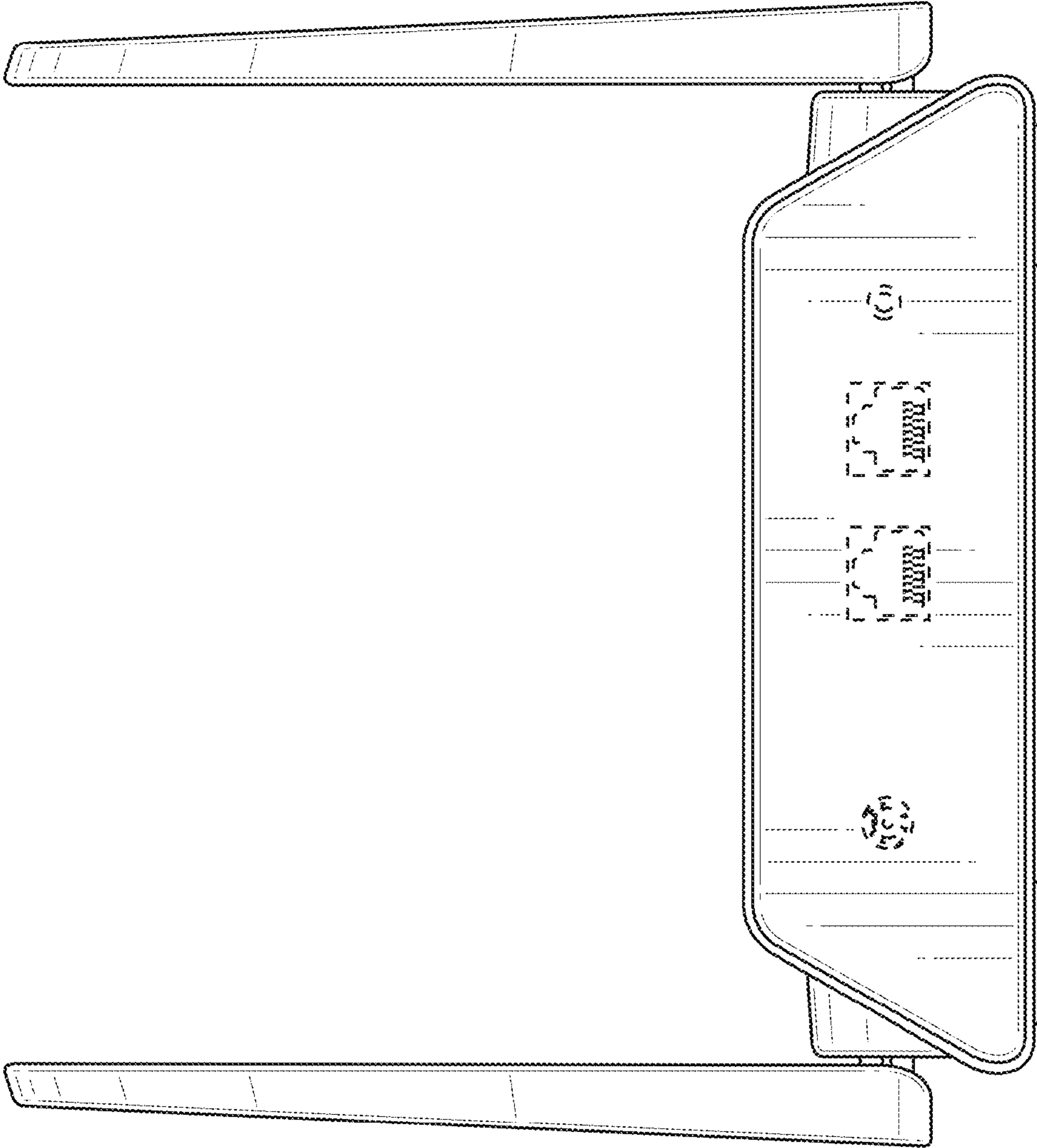
**FIG. 9**



**FIG. 10**

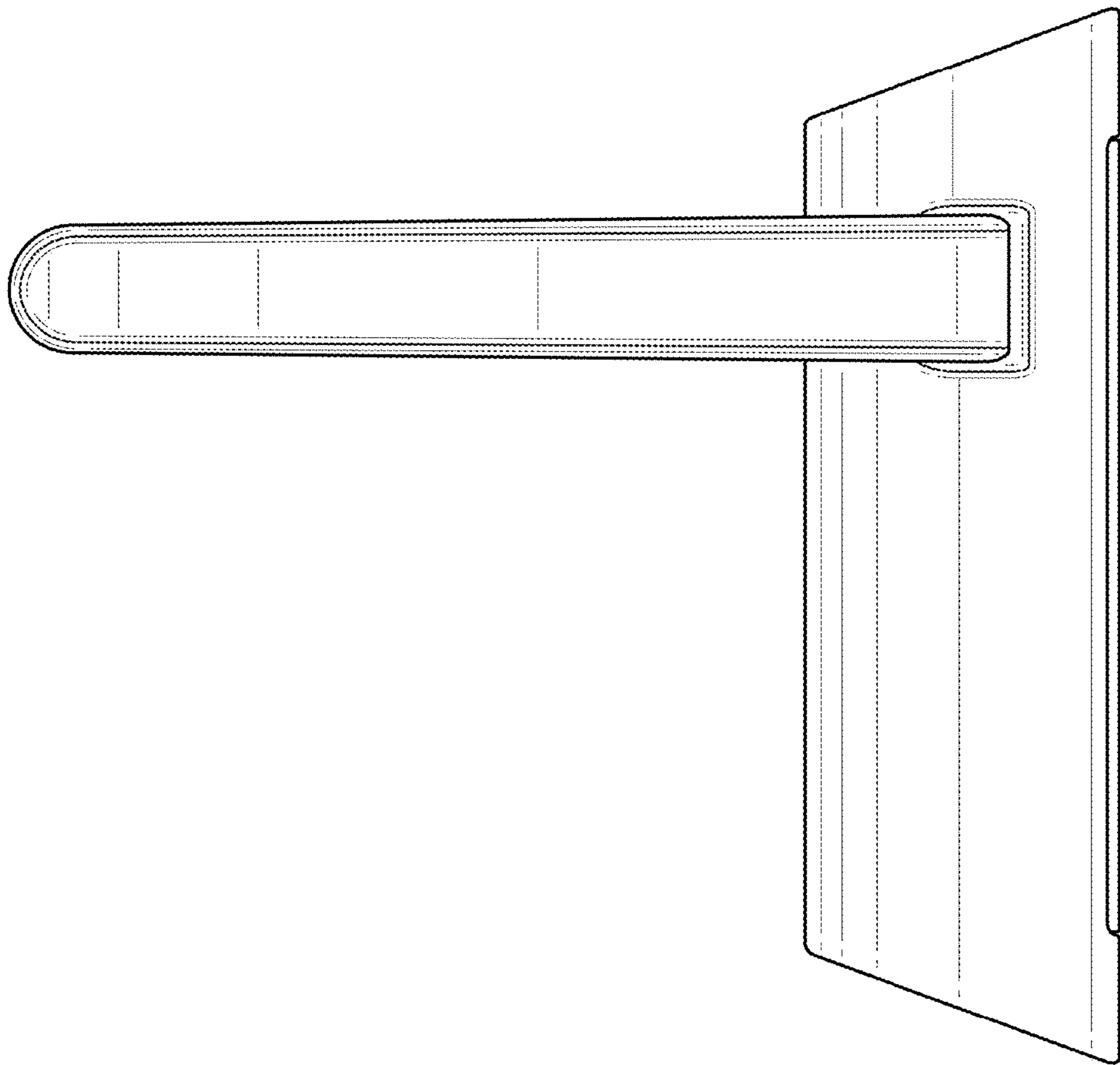


**FIG. 11**

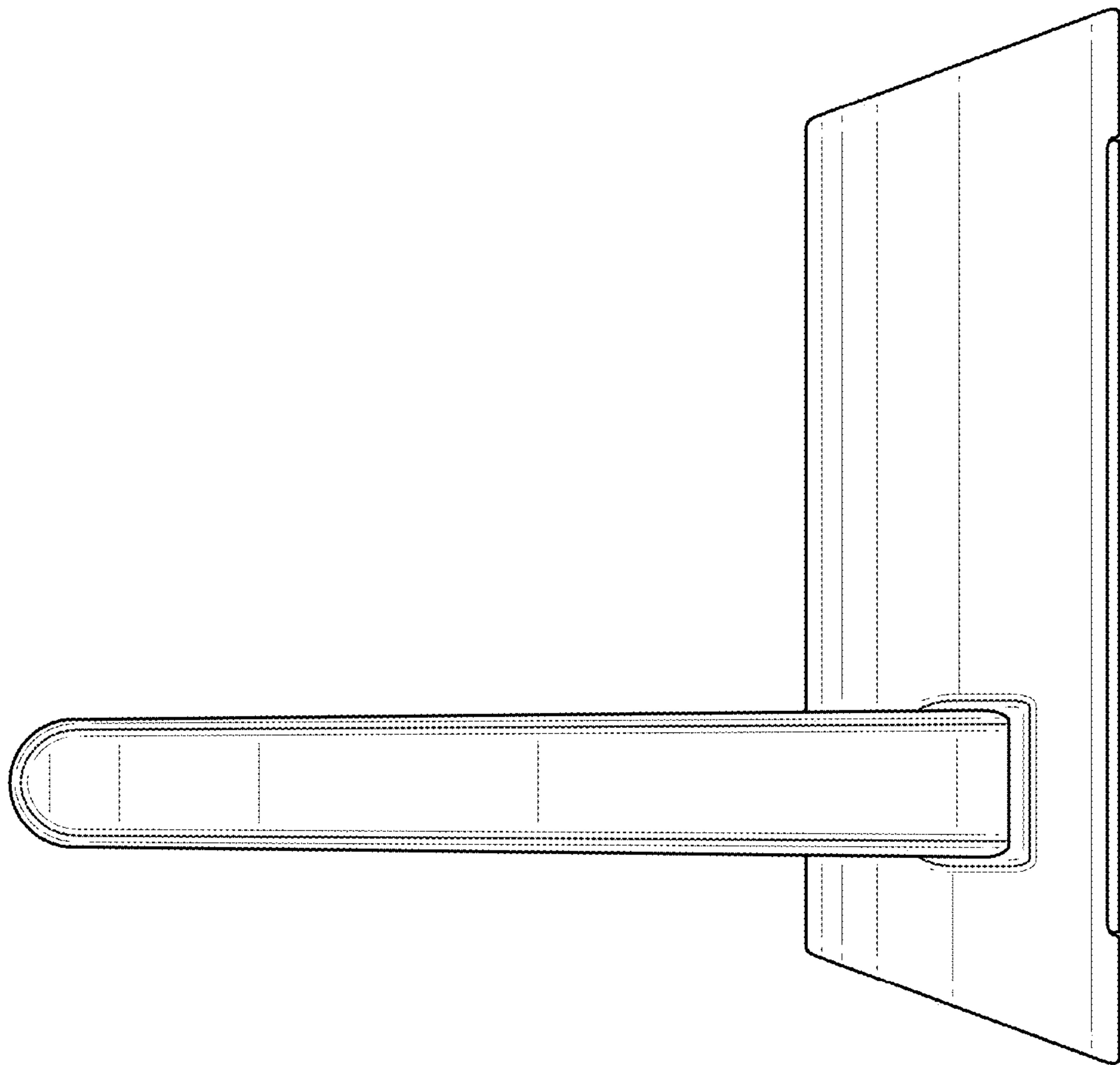


**FIG. 12**

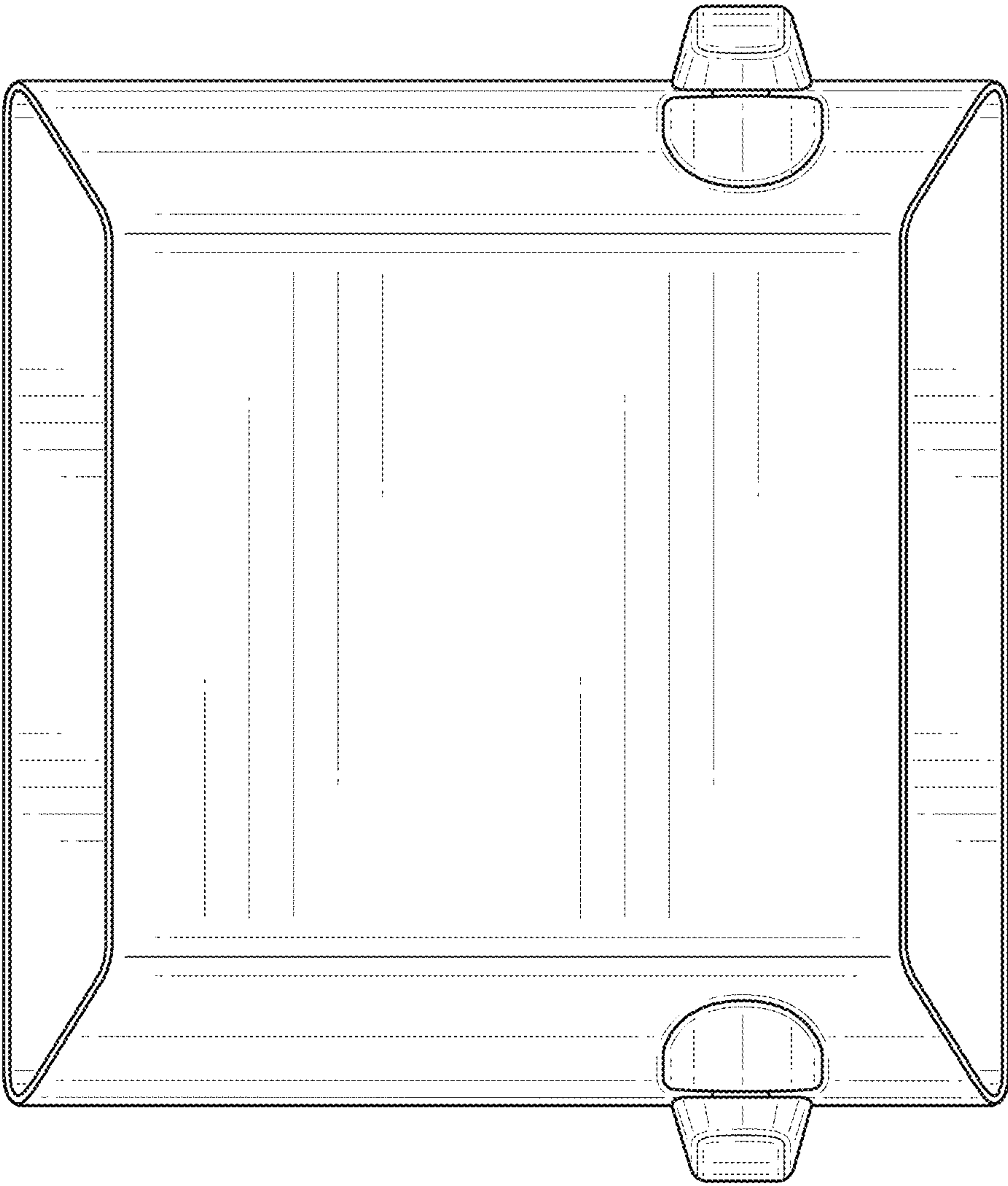




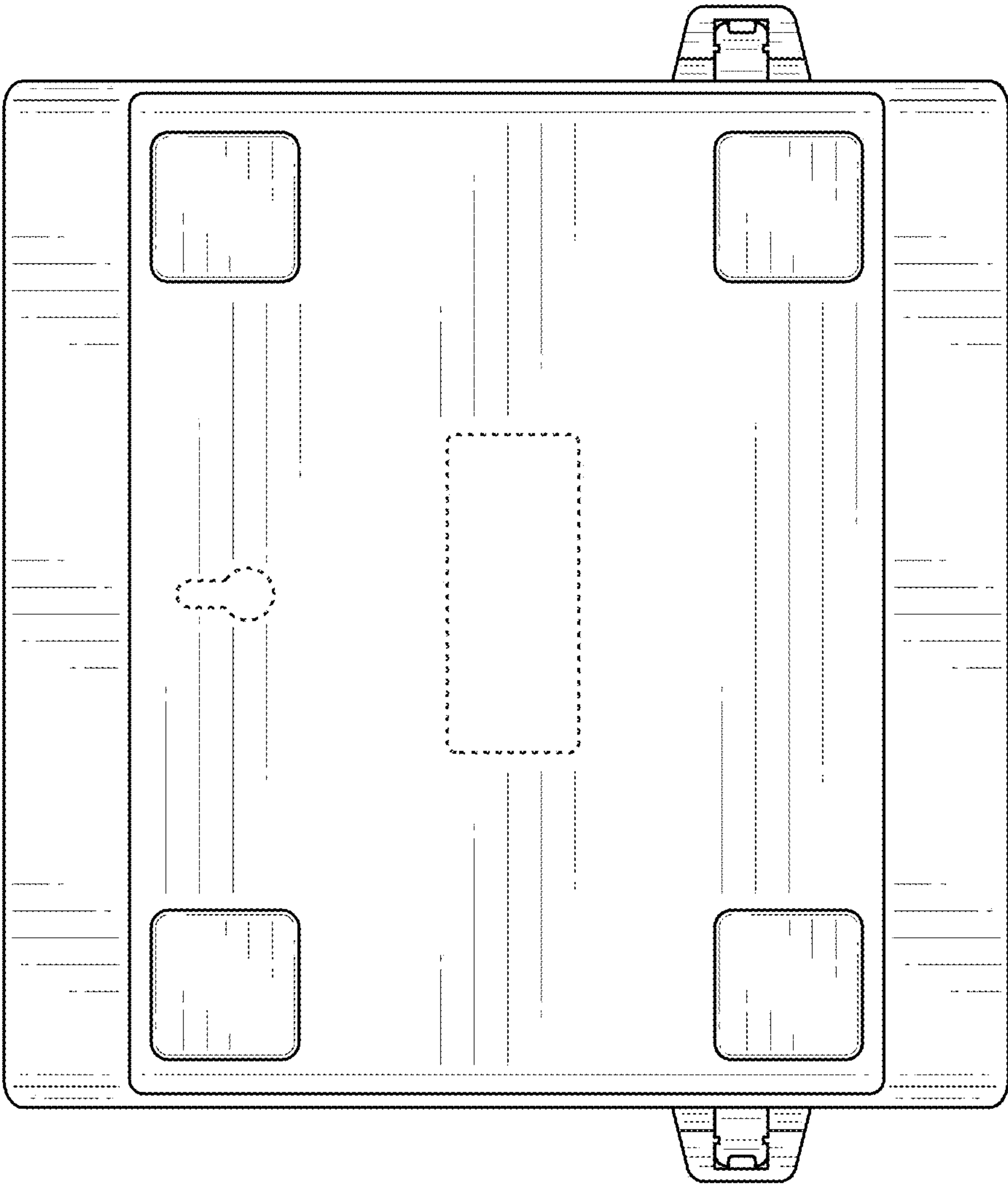
**FIG. 13**



**FIG. 14**



**FIG. 15**



**FIG. 16**