



US00D946558S

(12) **United States Design Patent**
Gopavaram et al.

(10) **Patent No.:** **US D946,558 S**

(45) **Date of Patent:** **** Mar. 22, 2022**

(54) **WIRELESS REPEATER**

(71) Applicant: **Carrier Corporation**, Palm Beach Gardens, FL (US)

(72) Inventors: **Subhash Reddy Gopavaram**, Hyderabad (IN); **Steven Ringwald**, Philomath, OR (US); **Rakesh Sirigiripet**, Hyderabad (IN)

(73) Assignee: **Carrier Corporation**, Palm Beach Gardens, FL (US)

(**) Term: **15 Years**

(21) Appl. No.: **29/652,403**

(22) Filed: **Aug. 7, 2020**

(51) **LOC (13) Cl.** **14-03**

(52) **U.S. Cl.**
USPC **D14/240**

(58) **Field of Classification Search**
USPC D13/10; D14/125, 155, 203.6, 240, 242,
D14/356, 357, 358, 367, 496, 509
CPC H04R 1/021; H04R 1/025; H04R 1/026;
H04R 1/06
See application file for complete search history.

(56) **References Cited**

U.S. PATENT DOCUMENTS

D555,023 S * 11/2007 Fawcett D10/106.93
D694,305 S * 11/2013 Katori D16/203

D742,954 S * 11/2015 Simonelli D16/203
D746,165 S * 12/2015 Li D10/104.1
D746,166 S * 12/2015 Li D10/104.1
D855,595 S * 8/2019 Yang D14/242
D856,953 S * 8/2019 Chen D14/126
D901,412 S * 11/2020 Li D14/126
D912,032 S * 3/2021 He D14/242

* cited by examiner

Primary Examiner — Khawaja Anwar

Assistant Examiner — Megan Tiana Rakos

(74) *Attorney, Agent, or Firm* — James A. Edwards

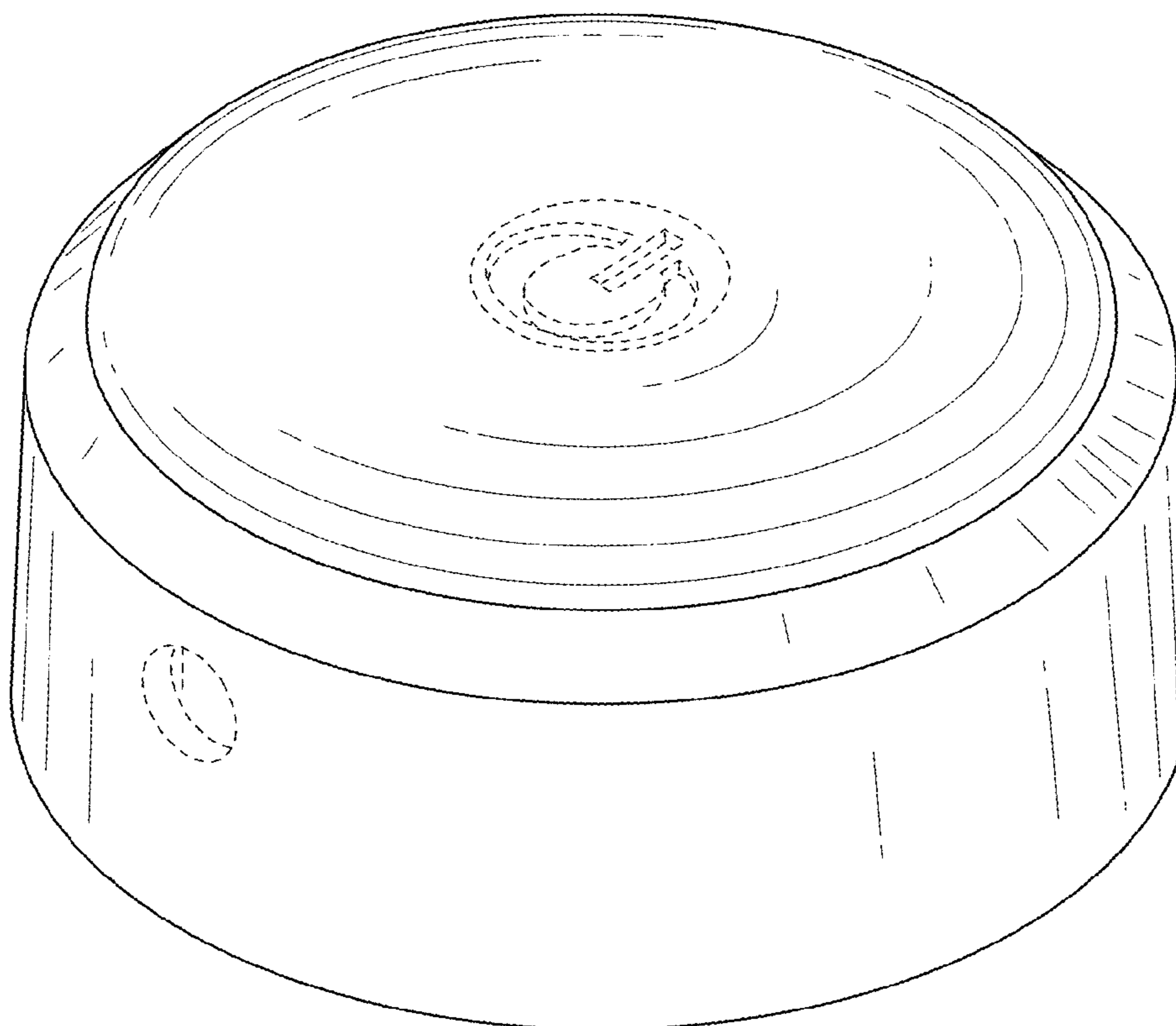
(57) **CLAIM**

The ornamental design of a wireless repeater, as shown and described.

DESCRIPTION

FIG. 1 is a perspective view of a wireless repeater.
FIG. 2 is a front view of the wireless repeater of FIG. 1.
FIG. 3 is a back view of the wireless repeater of FIG. 1.
FIG. 4 is a left side view of the wireless repeater of FIG. 1.
FIG. 5 is a right side view of the wireless repeater of FIG. 1.
FIG. 6 is a top view of the wireless repeater of FIG. 1; and,
FIG. 7 is a bottom view of the wireless repeater of FIG. 1.
The broken lines in the Figures are for illustrative purposes only and form no part of the claimed design. The shade lines in the Figures show contour or the flatness of a surface, and not surface ornamentation.

1 Claim, 7 Drawing Sheets



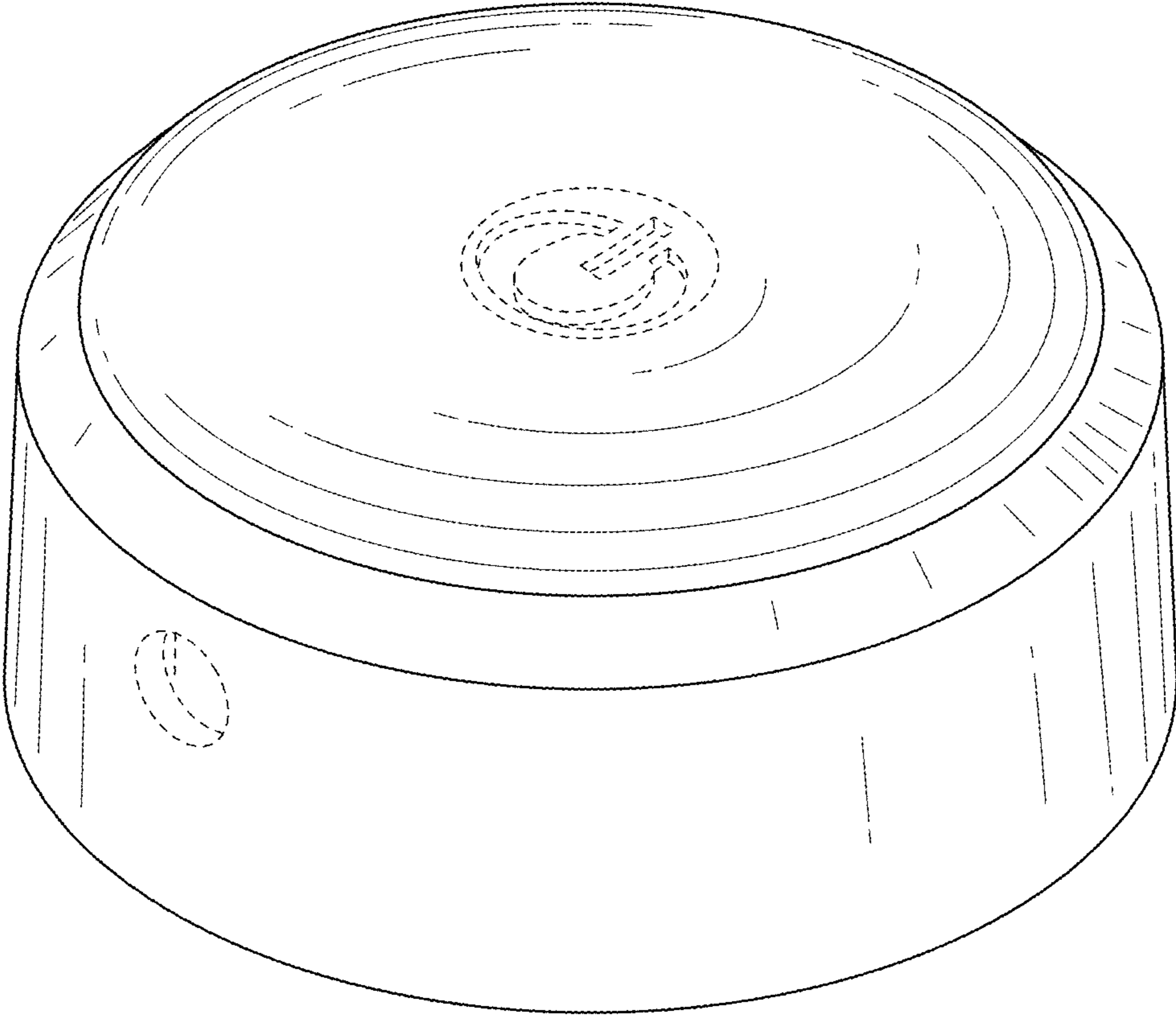


FIG. 1

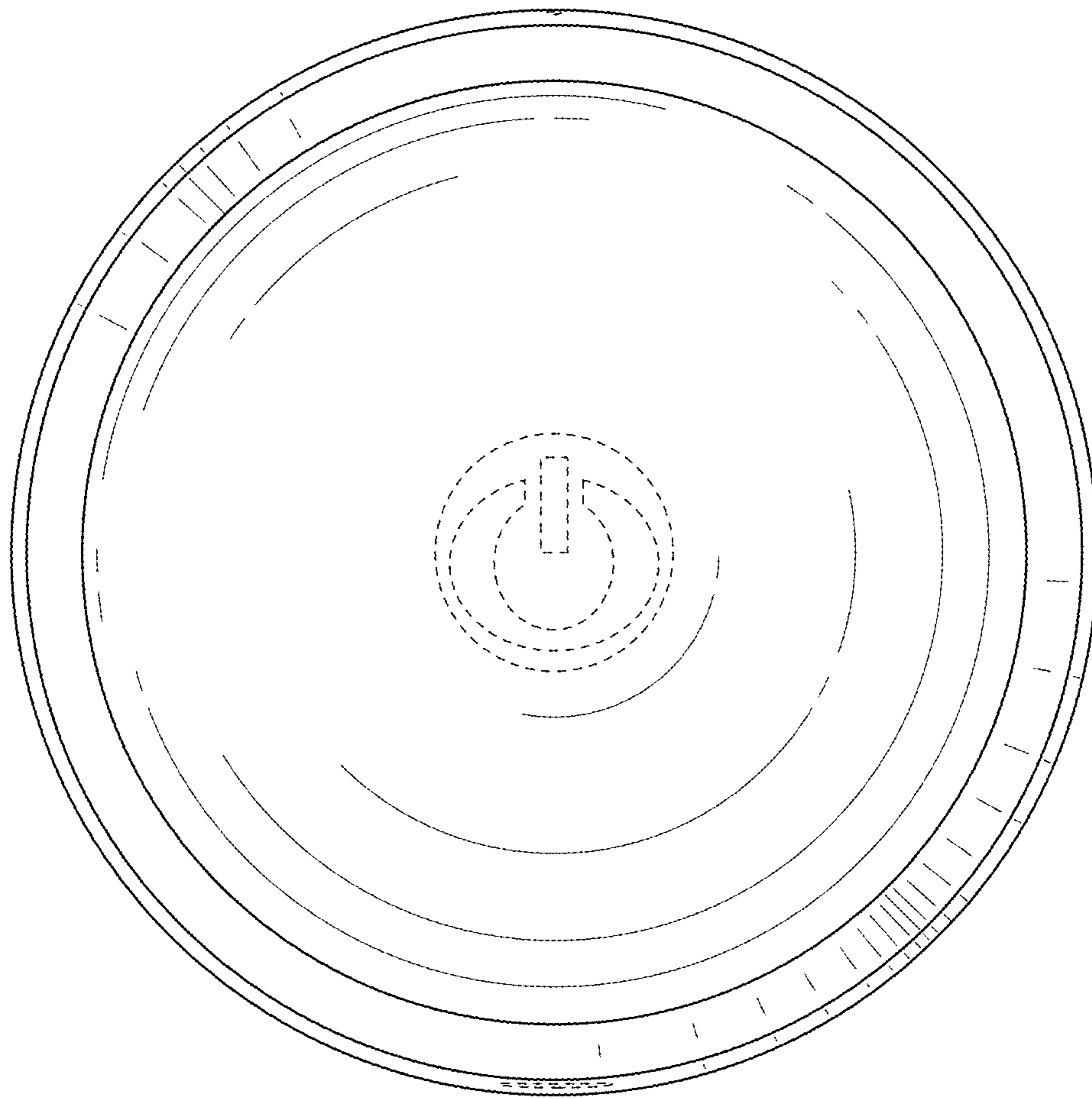


FIG. 2

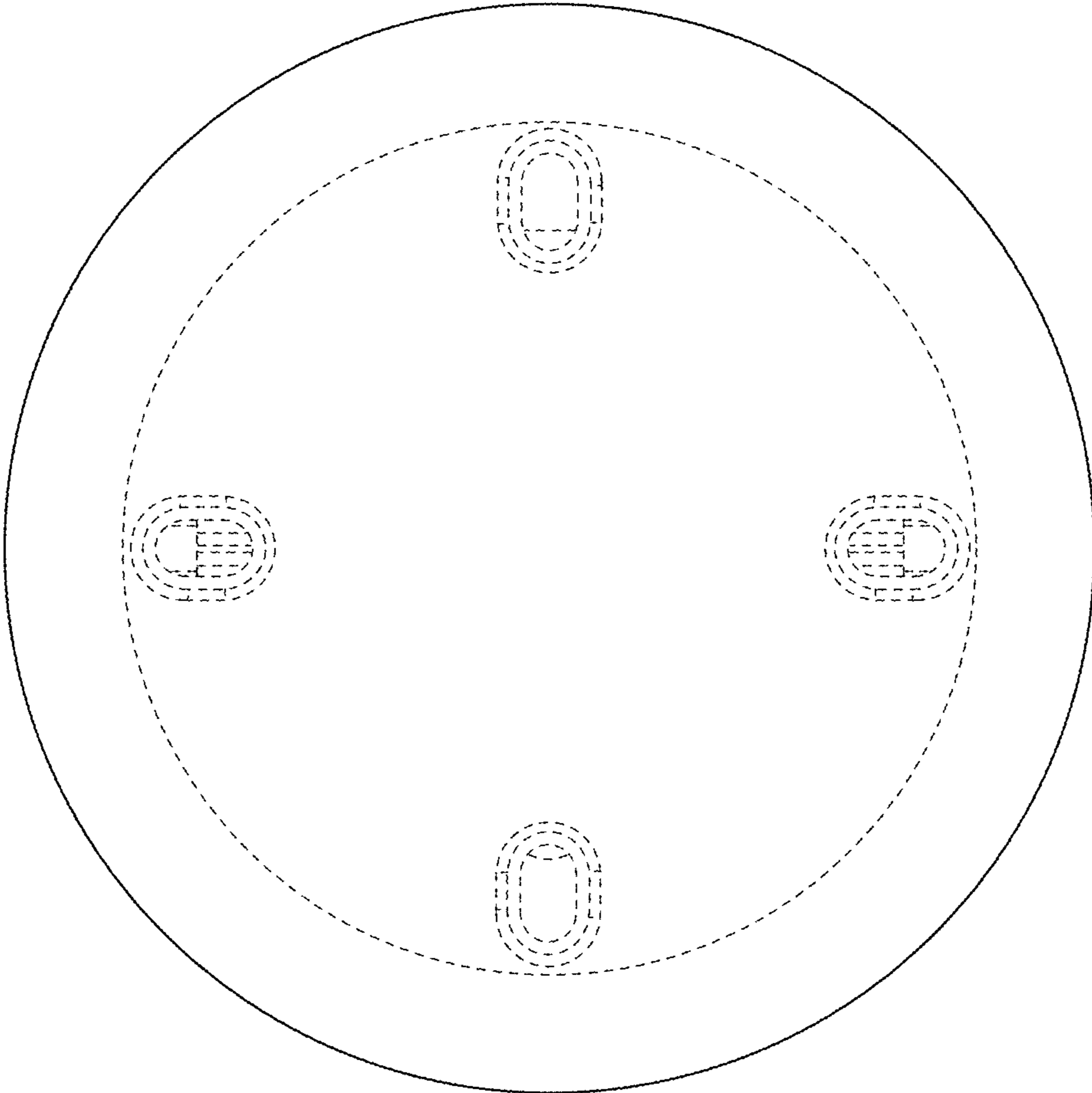


FIG. 3

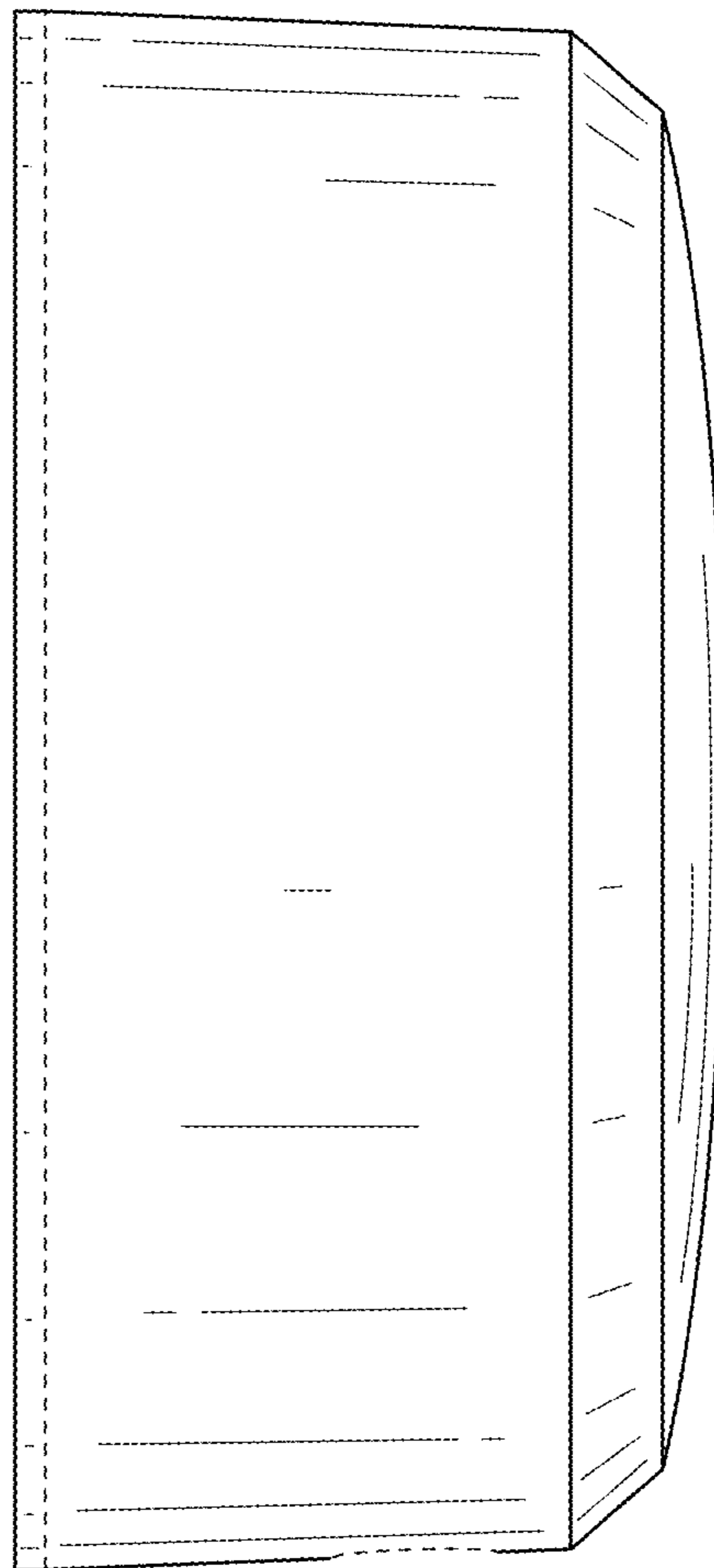


FIG. 4

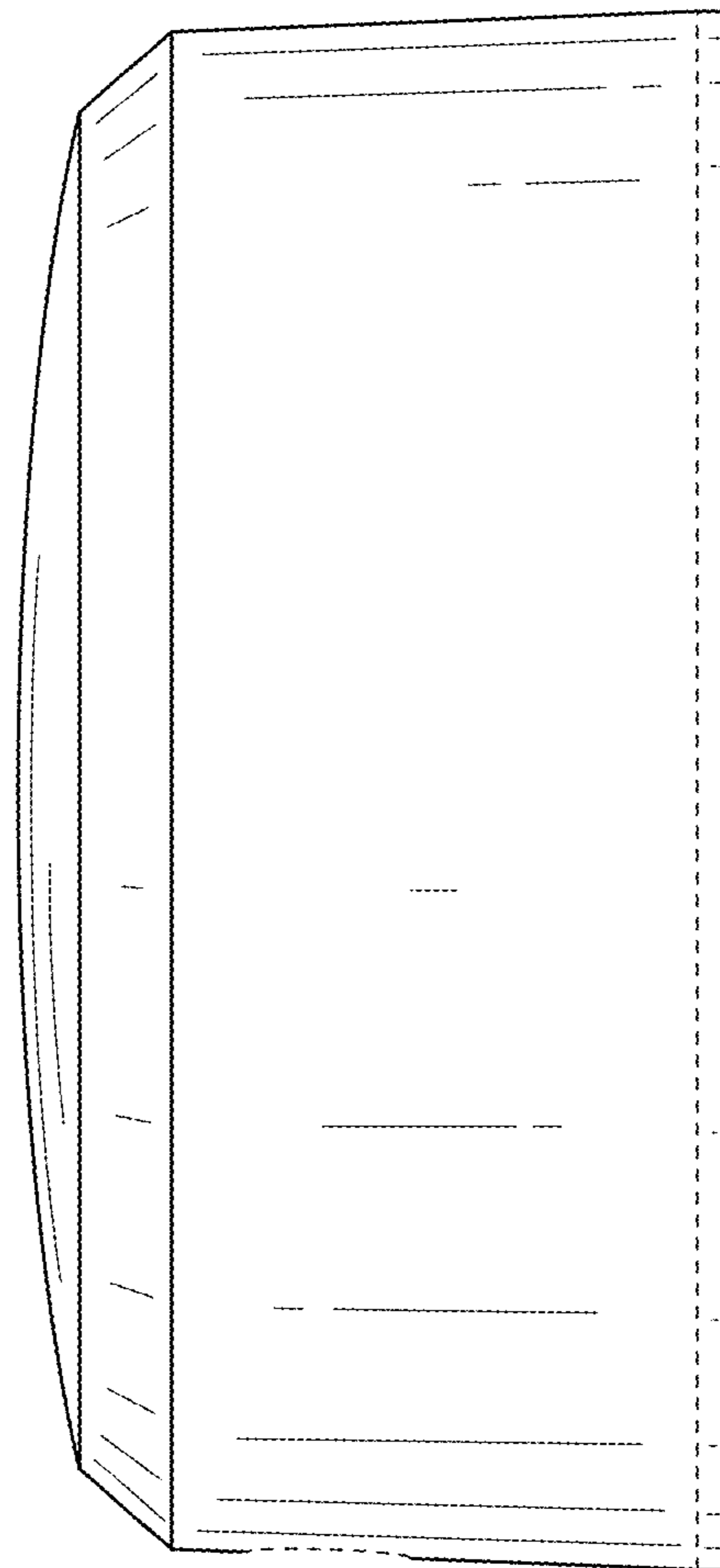


FIG. 5

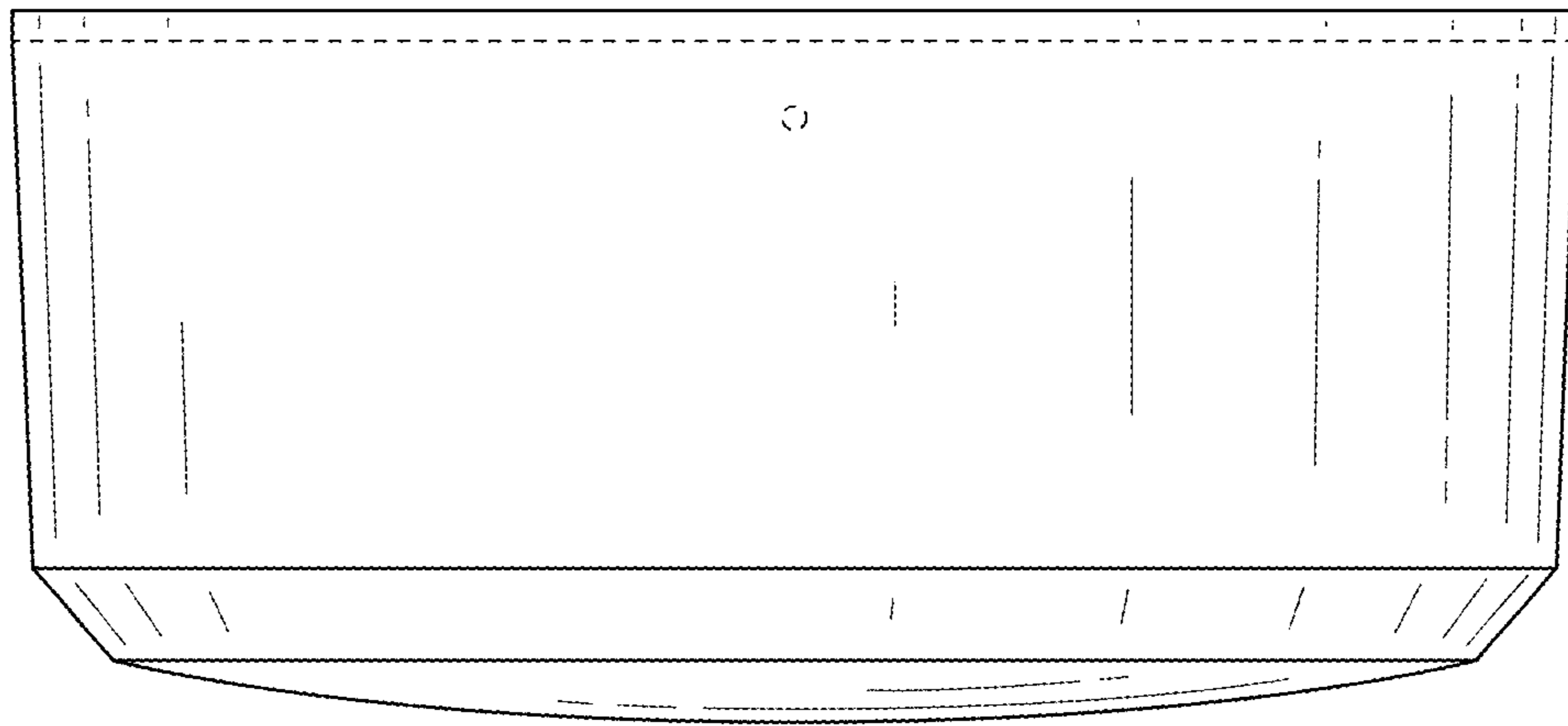


FIG. 6

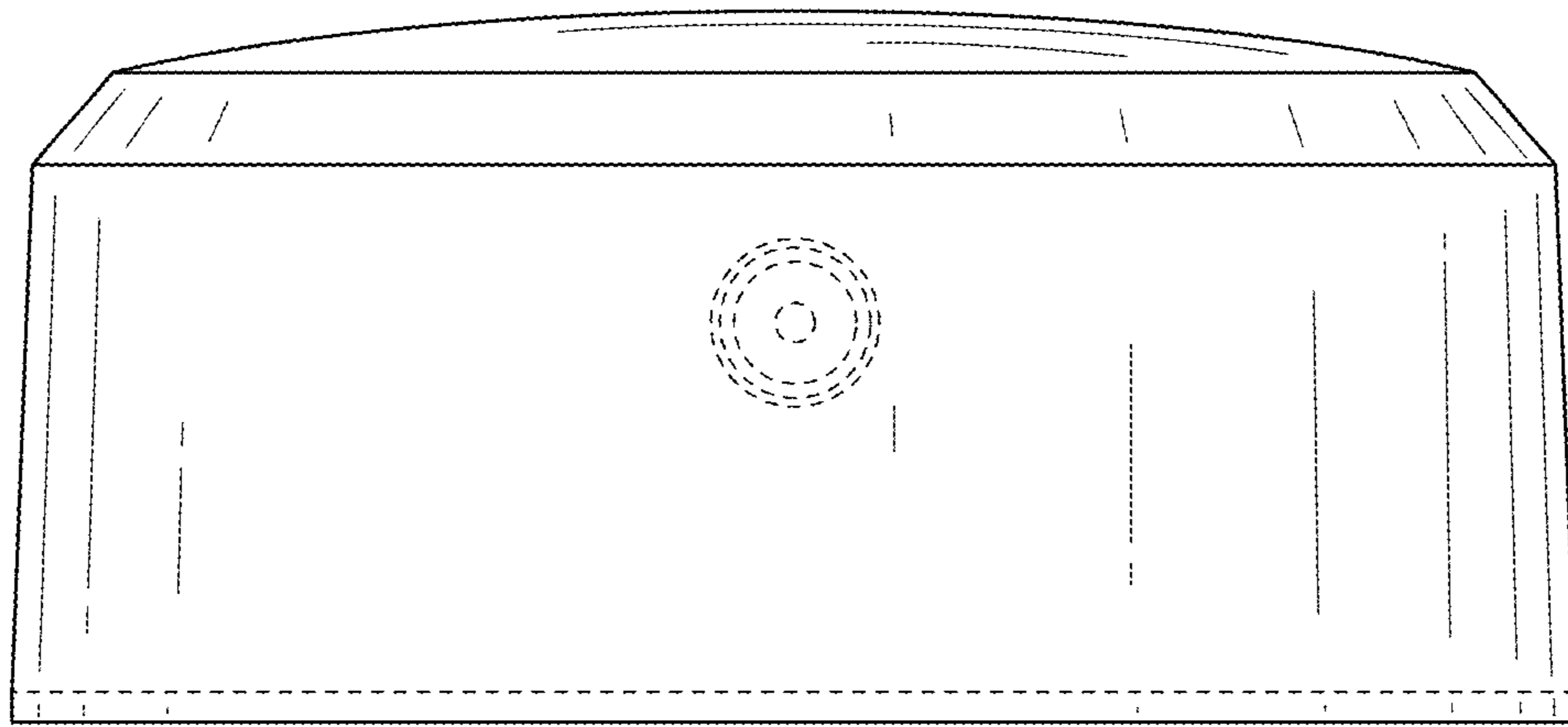


FIG. 7