

US00D946557S

(12) **United States Design Patent**
Chen

(10) **Patent No.:** **US D946,557 S**
(45) **Date of Patent:** **** Mar. 22, 2022**

(54) **MICROPHONE**

(71) Applicant: **Ching-Wen Chen**, Taipei (TW)

(72) Inventor: **Ching-Wen Chen**, Taipei (TW)

(**) Term: **15 Years**

(21) Appl. No.: **29/737,238**

(22) Filed: **Jun. 8, 2020**

(51) **LOC (13) Cl.** **14-01**

(52) **U.S. Cl.**
USPC **D14/227**

(58) **Field of Classification Search**

USPC D14/204, 209, 209.1, 210, 211, 212, 15,
D14/217, 221, 222, 224, 224.1, 225, 226,
D14/227, 229, 251, 149, 253, 466;
D6/682, 675.1, 672, 673
CPC ... G10G 5/00; A47B 61/04; A47F 7/00; A47F
7/0028; A47F 7/0035; A47F 7/0042;
A47F 5/04; A47J 47/16; H04R 19/04;
H04R 19/00; H04R 1/406; H04R 1/08;
H04R 1/04; H04R 1/326; H04R 29/004;
H04R 2410/00; H04R 2410/01; H04R
2410/03; H04R 2410/05; H04R 2410/07;
H04R 2420/07; H04R 17/02

See application file for complete search history.

(56) **References Cited**

U.S. PATENT DOCUMENTS

D327,480 S *	6/1992	Soren	D14/229
D397,120 S *	8/1998	Liou	D14/229
D504,894 S *	5/2005	Soto	D14/226
D718,748 S *	12/2014	Pan	D14/227
D746,269 S *	12/2015	Chen	D14/227
D761,234 S *	7/2016	Aglassinger	D14/226
D851,055 S *	6/2019	Woensdregt	D14/159
D881,852 S *	4/2020	Chen	D14/227
D884,685 S *	5/2020	Chen	D14/227
D890,730 S *	7/2020	Lu	D14/227

(Continued)

FOREIGN PATENT DOCUMENTS

CN 306596161 * 6/2021
CN 306662379 * 7/2021

(Continued)

OTHER PUBLICATIONS

16" Desktop Cardioid Dynamic Gooseneck Microphone, announced © 2021 [online], retrieved Jul. 28, 2021, retrieved from internet, https://www.fullcompass.com/prod/019873-bogen-ddu250-16-desktop-cardioid-dynamic-gooseneck-microphone.*

(Continued)

Primary Examiner — Dana K Weiland
Assistant Examiner — Messina L Smith

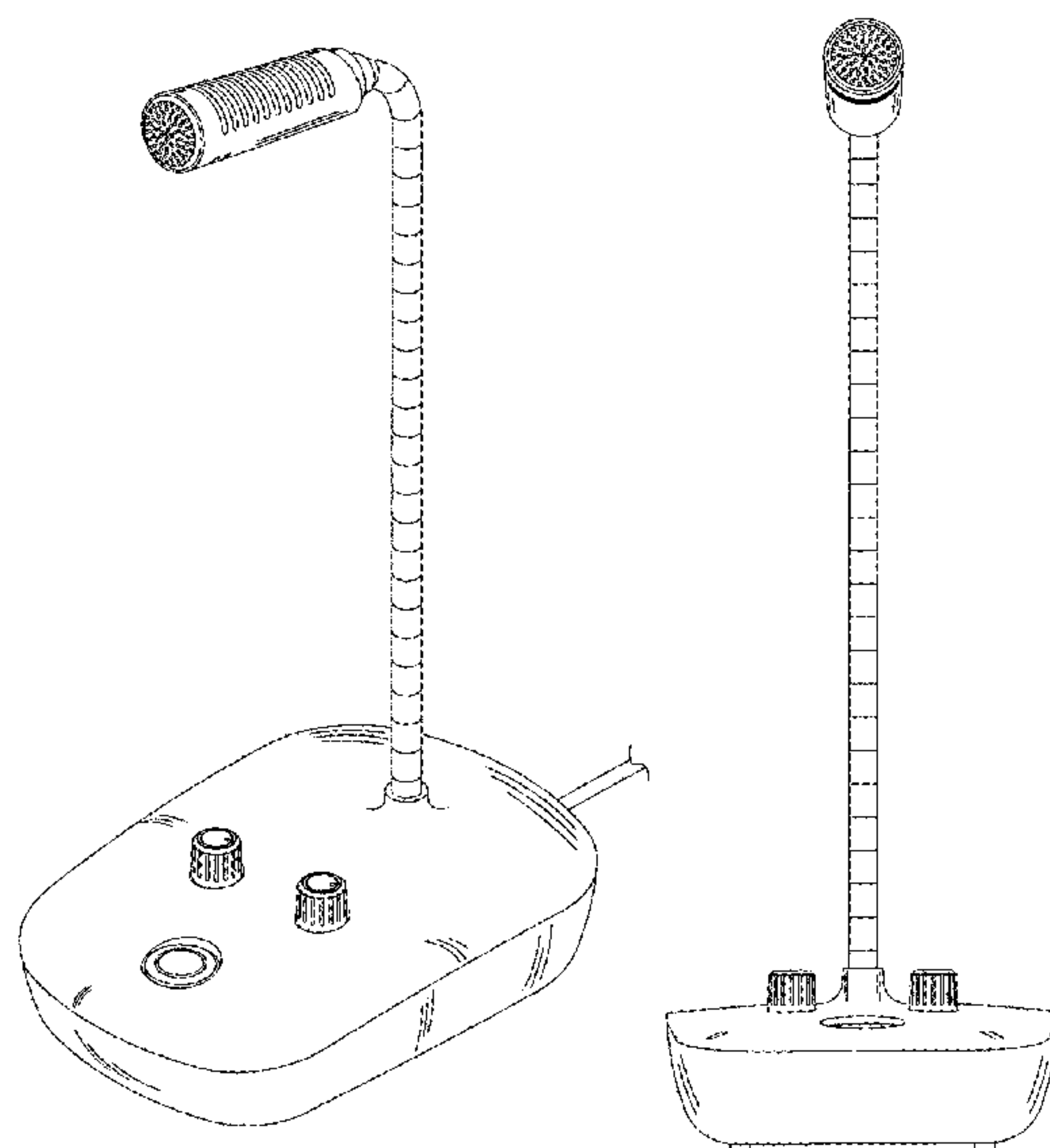
(57) **CLAIM**

The ornamental design for a microphone, as shown and described.

DESCRIPTION

FIG. 1 is a top perspective view of a microphone showing my new design;
FIG. 2 is a front view thereof;
FIG. 3 is a rear view thereof;
FIG. 4 is a left elevational side view thereof;
FIG. 5 is a right elevational side view thereof;
FIG. 6 is an enlarged top elevational view thereof;
FIG. 7 is an enlarged bottom elevational view thereof;
FIG. 8 is a top perspective view of the microphone shown connected to a USB plug; and,
FIG. 9 is a bottom perspective view of the microphone.
The broken line showing of the USB plug in FIG. 8 depicts environment and forms no part of the claimed design.
The microphone's electrical wire is shown with a symbolic break in its length. The appearance of any portion of the electrical wire after the break line forms no part of the claimed design.

1 Claim, 9 Drawing Sheets



(56)

References Cited

U.S. PATENT DOCUMENTS

D890,731	S	*	7/2020	Lu	D14/227
D918,185	S	*	5/2021	Hong	D14/227
D920,295	S	*	5/2021	Mai	D14/227
2002/0048384	A1	*	4/2002	Chen	H04R 1/08 381/363
2003/0134666	A1	*	7/2003	Fletcher	H04M 1/72513 455/575.2
2004/0052396	A1	*	3/2004	Kuo	H04R 1/08 381/363
2005/0272476	A1	*	12/2005	Eaton	H04R 1/08 455/569.1
2016/0373845	A1	*	12/2016	Akino	H04R 1/08

FOREIGN PATENT DOCUMENTS

CN	306662382	*	7/2021
CN	306679476	*	7/2021
CN	306686808	*	7/2021
JP	11341576	A	* 12/1999

OTHER PUBLICATIONS

Computer Microphone, announced Oct. 11, 2020 [online], retrieved Jul. 28, 2021, retrieved from internet, https://www.amazon.com/Microphone-Gooseneck-Indicator-Mac-Ideal-K052/dp/B07JB984Y7/ref=psdc_11974651_t3_B07ZPBPJQG.*

KLIM Lingo—Desktop USB Microphone, announced Aug. 8, 2020 [online], retrieved Jul. 28, 2021, retrieved from internet, https://www.amazon.com/dp/B08BS4QM9X/ref=sspa_dk_detail_2?psc=1&spLa=ZW5jcnlwdGVkUXVhbGlmaWVyPUE2MTZOTFNGN1ZXEomZW5jcnlwdGVkSWQ9QTEwMDk2MzkzNkQwMEJKMEIyN1dWJmVuY3J5cHRlZEFkSWQ9QTA2MTAzODBOVkFNWUcwUkhHWlkm21kZ2V0TmFtZT1zcF9kZXRhaWwyJmFjdGlvbj1jbGlja1JIZGlyZWNOJmRvTm90TG9nQ2xpY2s9dHJ1ZQ==.*

USB Computer Microphone, announced Oct. 15, 2019 [online], retrieved Jul. 28, 2021, retrieved from internet, https://www.amazon.com/Microphone-Unidirectional-Condenser-Indicator-Conference/dp/B07Z5BRM3J/ref=pd_di_sccai_20/132-9957961-8118323?pd_rd_w=pzUCQ&pf_rd_p=c9443270-b914-4430-a90b-72e3e7e784e0&pf_rd_r=D1Y203QPS2MNVG2FMY2J&pd_rd_r=f1cb9972-a244-4977-96d7-696b70b077f7&pd_rd_wg=Csn2&pd_rd_i=B07Z5BRM3J&psc=1.*

USB Computer Microphone with Mute Button, announced Apr. 8, 2019 [online], retrieved Jul. 28, 2021, retrieved from internet, https://www.amazon.com/dp/B07QFRXJ9R/ref=sspa_dk_detail_3?pd_rd_i=B07QFRXJ9R&pd_rd_w=q8vEU&pf_rd_p=39cbbe7c-8911-4076-85fd-8e024260e5ce&pd_rd_wg=TIMkU&pf_rd_r=6VCE0XHTDVNDQ857BWVM&pd_rd_r=67bf9e13-26cb-46ff-aef2-cb9698f08f9b&spLa=ZW5jcnlwdGVkUXVhbGlmaWVyPUE2MTZOTFNGN1ZXEomZW5jcnlwdGVkSWQ9QTEwMDk2MzkzNkQwMEJKMEIyN1dWJmVuY3J5cHRlZEFkSWQ9QTA2MTAzODBOVkFNWUcwUkhHWlkm21kZ2V0TmFtZT1zcF9kZXRhaWwyJmFjdGlvbj1jbGlja1JIZGlyZWNOJmRvTm90TG9nQ2xpY2s9dHJ1ZQ&th=1.*

* cited by examiner

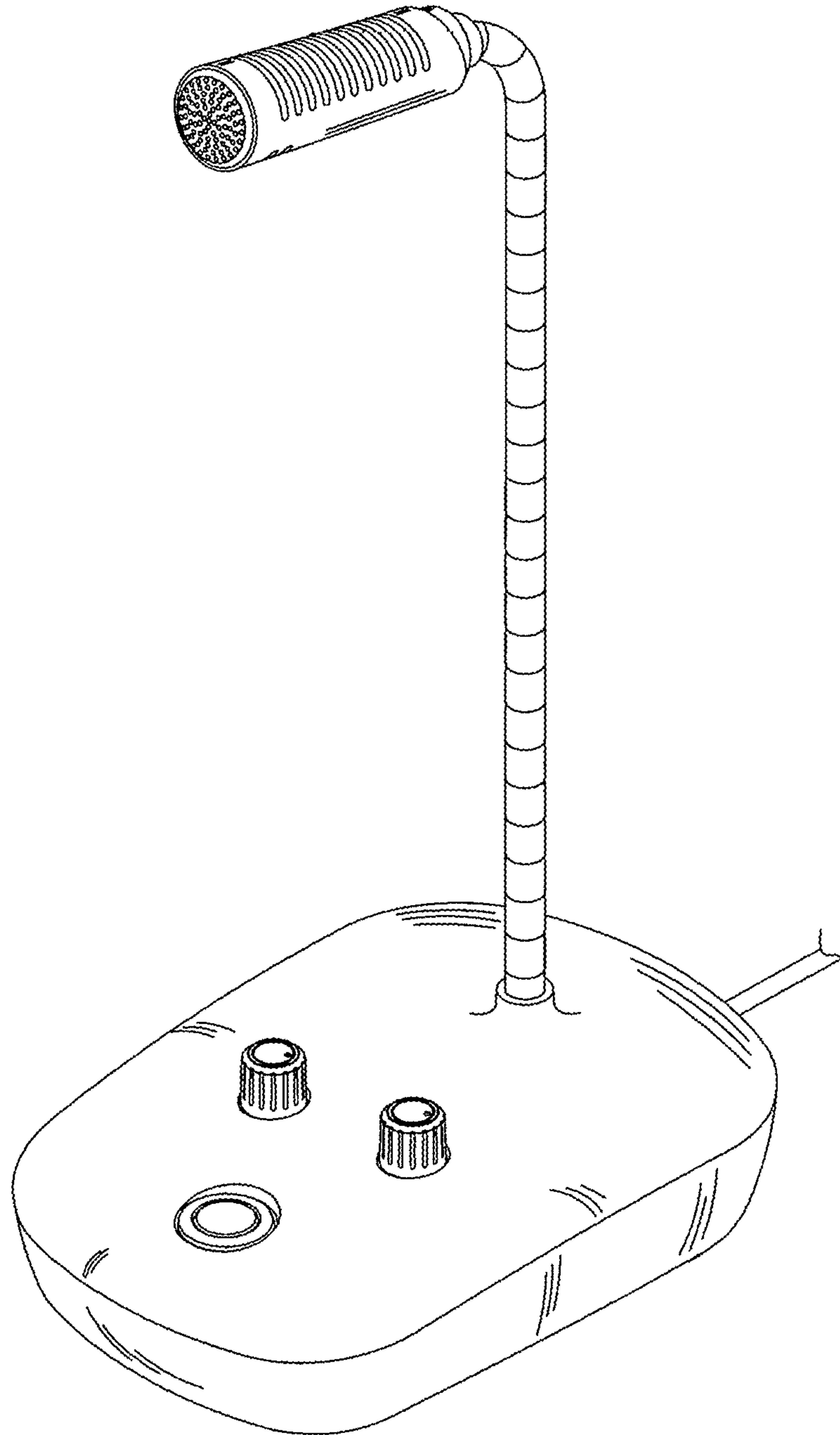


FIG. 1

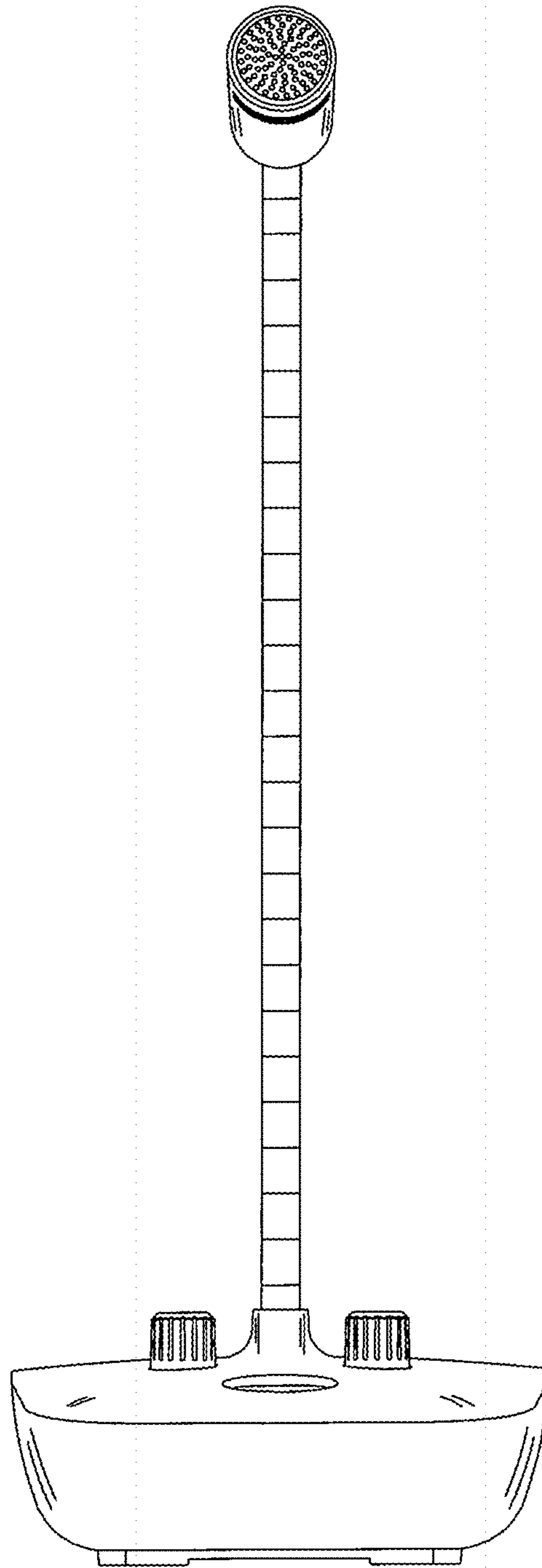


FIG. 2

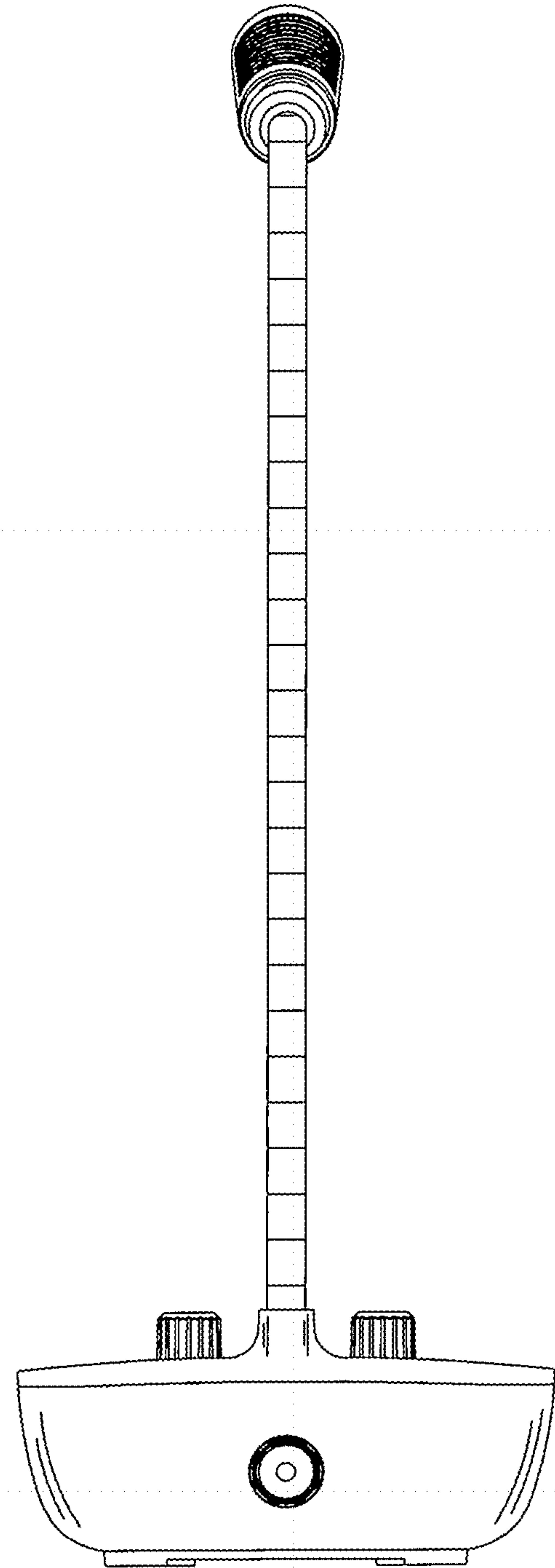


FIG. 3

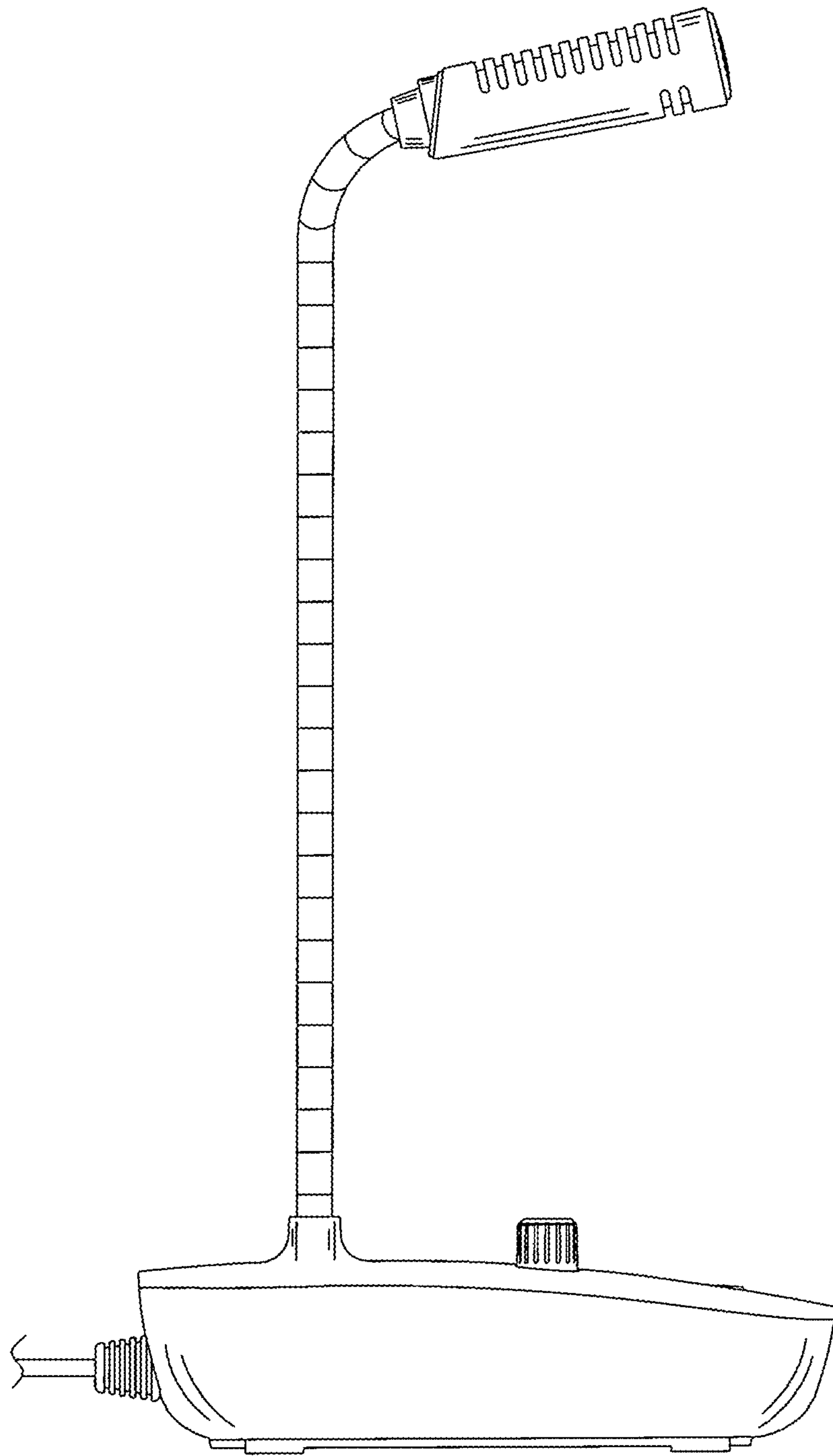


FIG. 4

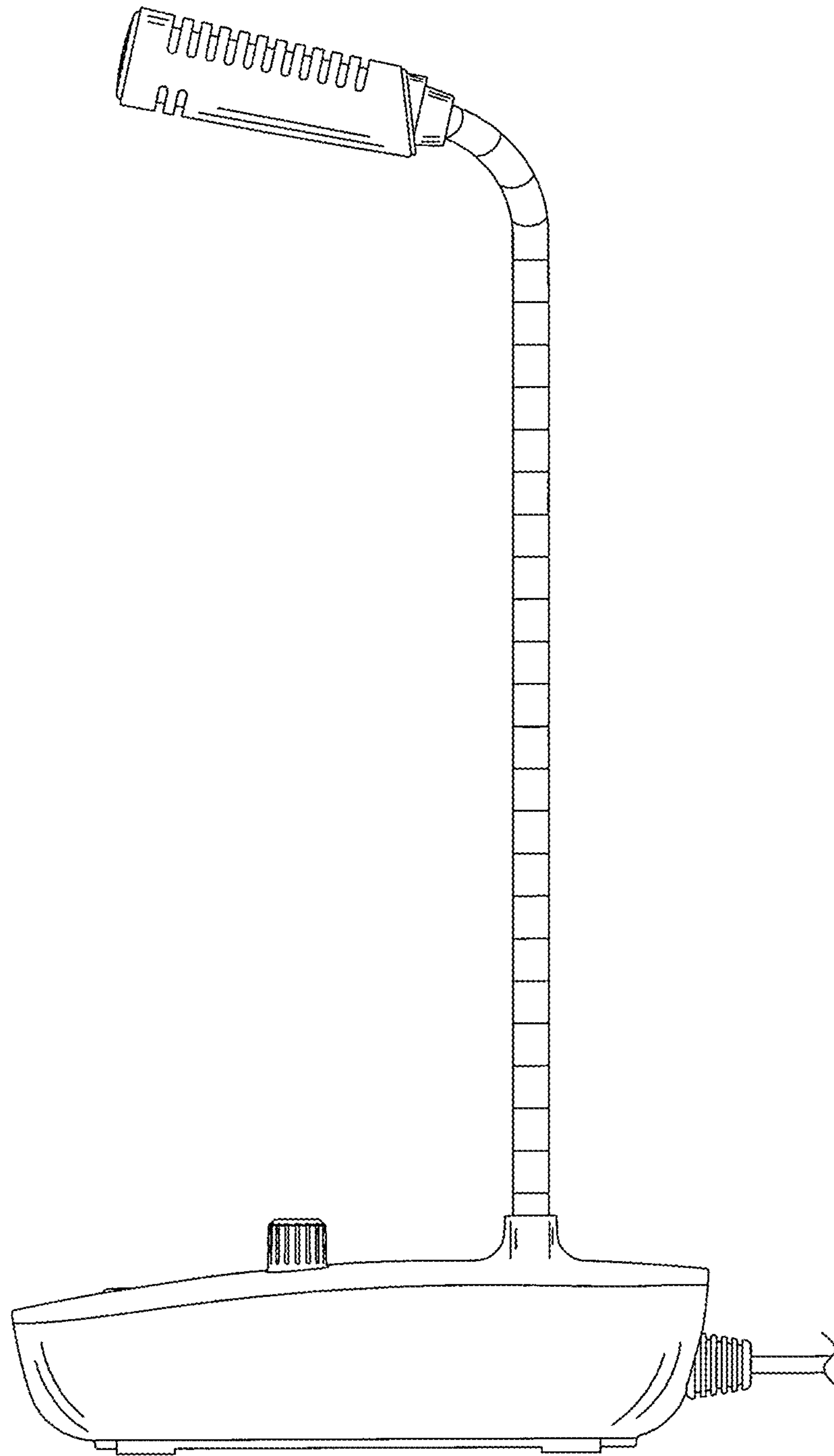


FIG. 5

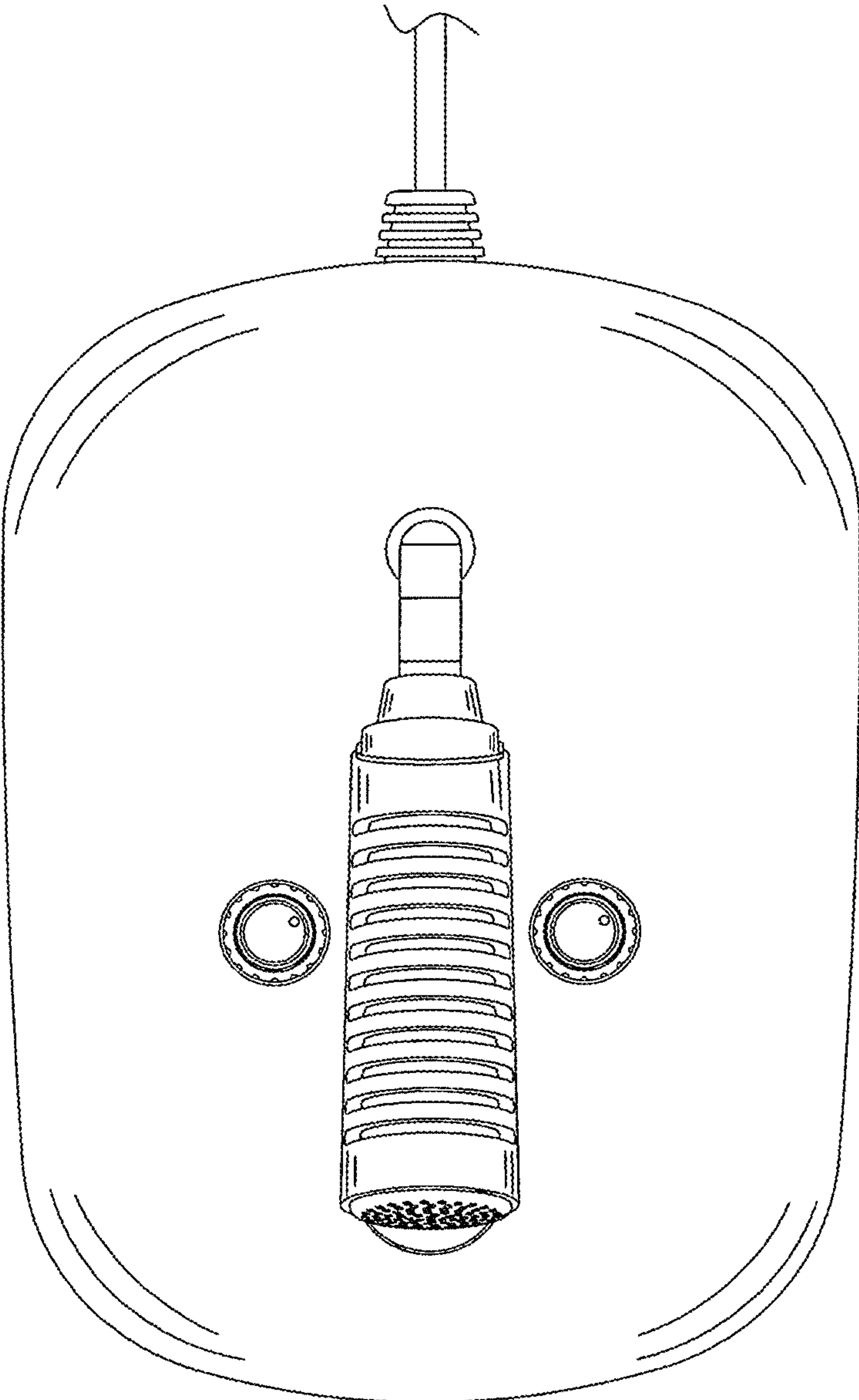


FIG. 6

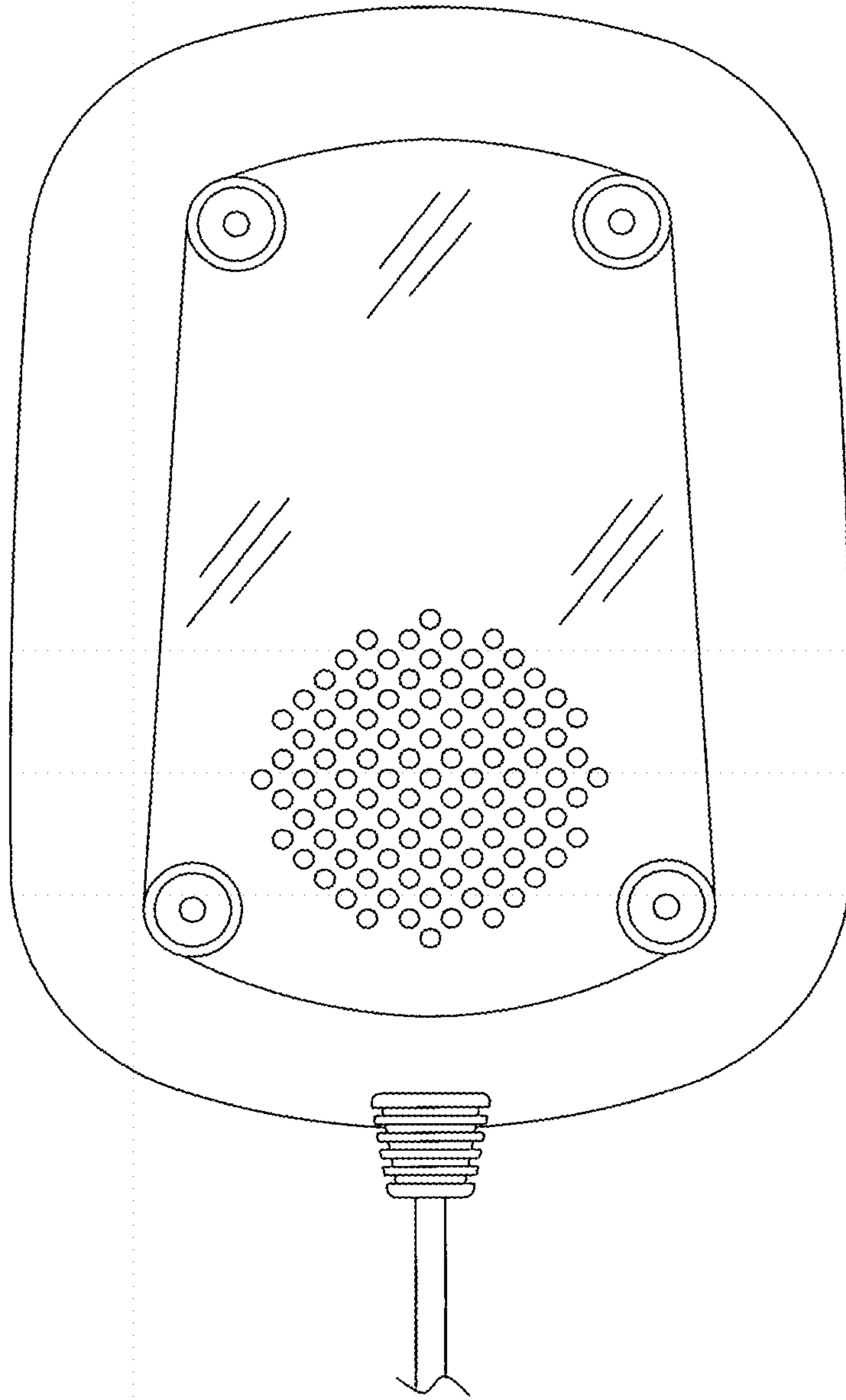


FIG. 7

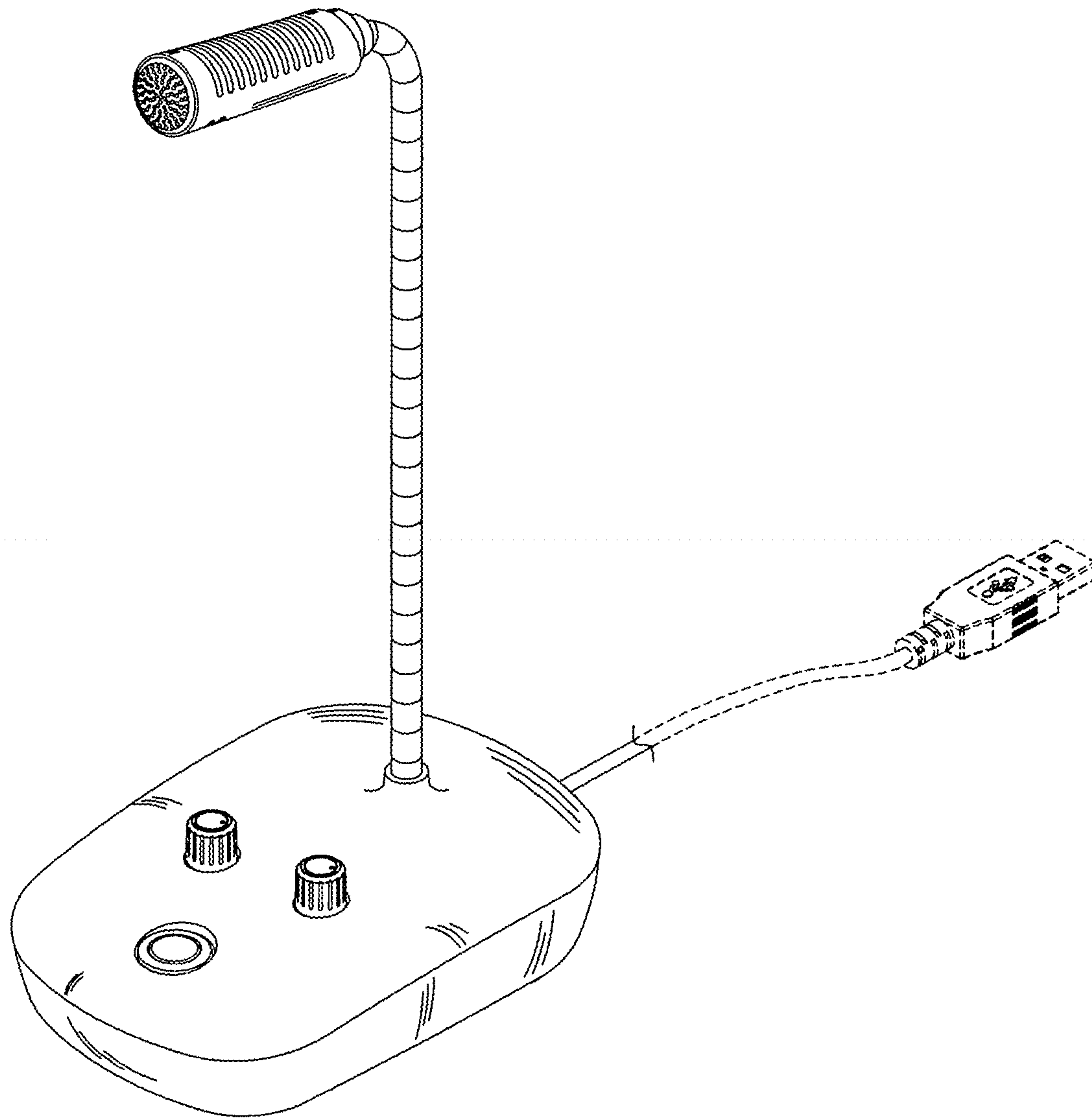


FIG. 8

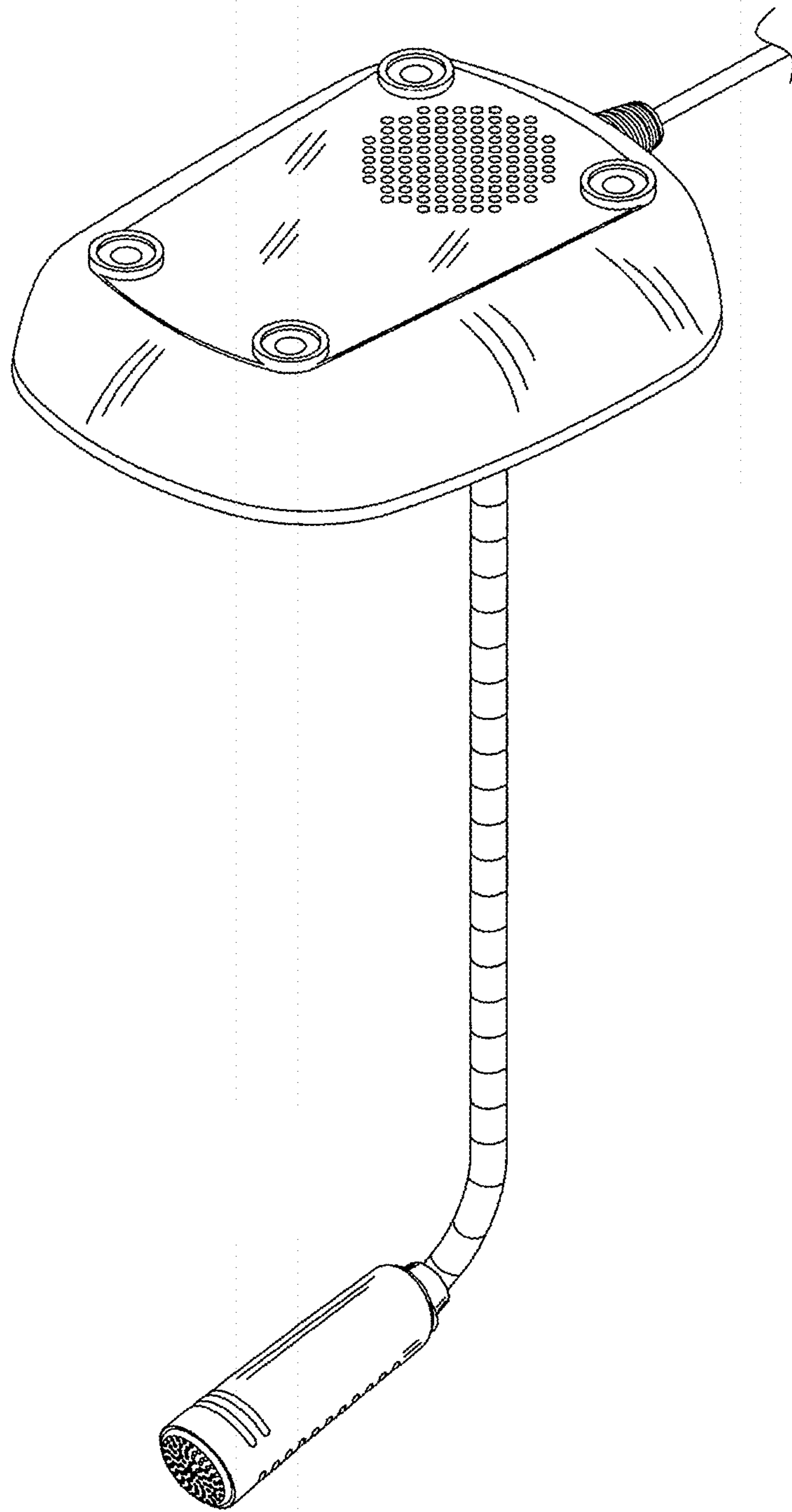


FIG. 9