



US00D946556S

(12) **United States Design Patent**  
**Mai**

(10) **Patent No.:** **US D946,556 S**  
(45) **Date of Patent:** **\*\* Mar. 22, 2022**

(54) **MICROPHONE**

(71) Applicant: **SHENZHEN XUNWEIJIA TECHNOLOGY DEVELOPMENT CO., LTD.**, Shenzhen (CN)

(72) Inventor: **Qibin Mai**, Shenzhen (CN)

(73) Assignee: **SHENZHEN XUNWEIJIA TECHNOLOGY DEVELOPMENT CO., LTD.**, Shenzhen (CN)

(\*\*) Term: **15 Years**

(21) Appl. No.: **29/781,103**

(22) Filed: **Apr. 28, 2021**

(51) **LOC (13) Cl.** ..... **14-01**

(52) **U.S. Cl.**  
USPC ..... **D14/225**; D14/228

(58) **Field of Classification Search**  
USPC ..... D14/225, 228, 229, 497, 496, 155, 240,  
D14/243, 256, 140; D13/108, 110;  
D21/483; 381/355, 361, 172; 455/90.3,  
455/575.1, 569.1

CPC ..... H04R 25/00; H04R 19/04; H04R 9/08;  
H04R 19/02; H04R 11/04; H04R 3/00;  
H04R 1/08; H04R 1/20; H04R 1/02;  
H04R 1/086; H04R 1/1023

See application file for complete search history.

(56) **References Cited**

**U.S. PATENT DOCUMENTS**

2,081,622 A \* 5/1937 Foster ..... H04R 1/08  
381/361  
2,920,140 A \* 1/1960 Morgan ..... H04R 19/04  
381/113  
D190,864 S \* 7/1961 Deschamps ..... D14/228  
3,265,153 A \* 8/1966 Burroughs ..... H04R 1/086  
181/158

D218,315 S \* 8/1970 Rusch ..... D14/228  
D220,108 S \* 3/1971 van de Poel ..... D14/228  
3,651,286 A \* 3/1972 Gorike ..... H04R 1/08  
381/353  
D239,290 S \* 3/1976 Saito ..... D14/225  
D277,852 S \* 3/1985 Watson ..... D14/228  
4,628,525 A \* 12/1986 Iwahara ..... H04R 1/086  
381/26  
5,357,577 A \* 10/1994 Waji ..... H01J 7/24  
361/704  
D368,093 S \* 3/1996 Starck ..... D14/189  
D396,860 S \* 8/1998 Yasutomi ..... D10/119.2  
D399,830 S \* 10/1998 Nagai ..... D13/158

(Continued)

**FOREIGN PATENT DOCUMENTS**

CN 306978926 \* 12/2021  
CN 307034706 \* 12/2021

(Continued)

*Primary Examiner* — Paula Allen Greene

(74) *Attorney, Agent, or Firm* — ScienBiziP, P.C.

(57) **CLAIM**

The ornamental design for a microphone, as shown and described.

**DESCRIPTION**

FIG. 1 is a front, right, and top perspective view of a microphone, showing my design.

FIG. 2 is a rear, left, and bottom perspective view thereof.

FIG. 3 is a front elevation view thereof.

FIG. 4 is a rear elevation view thereof.

FIG. 5 is a left side elevation view thereof.

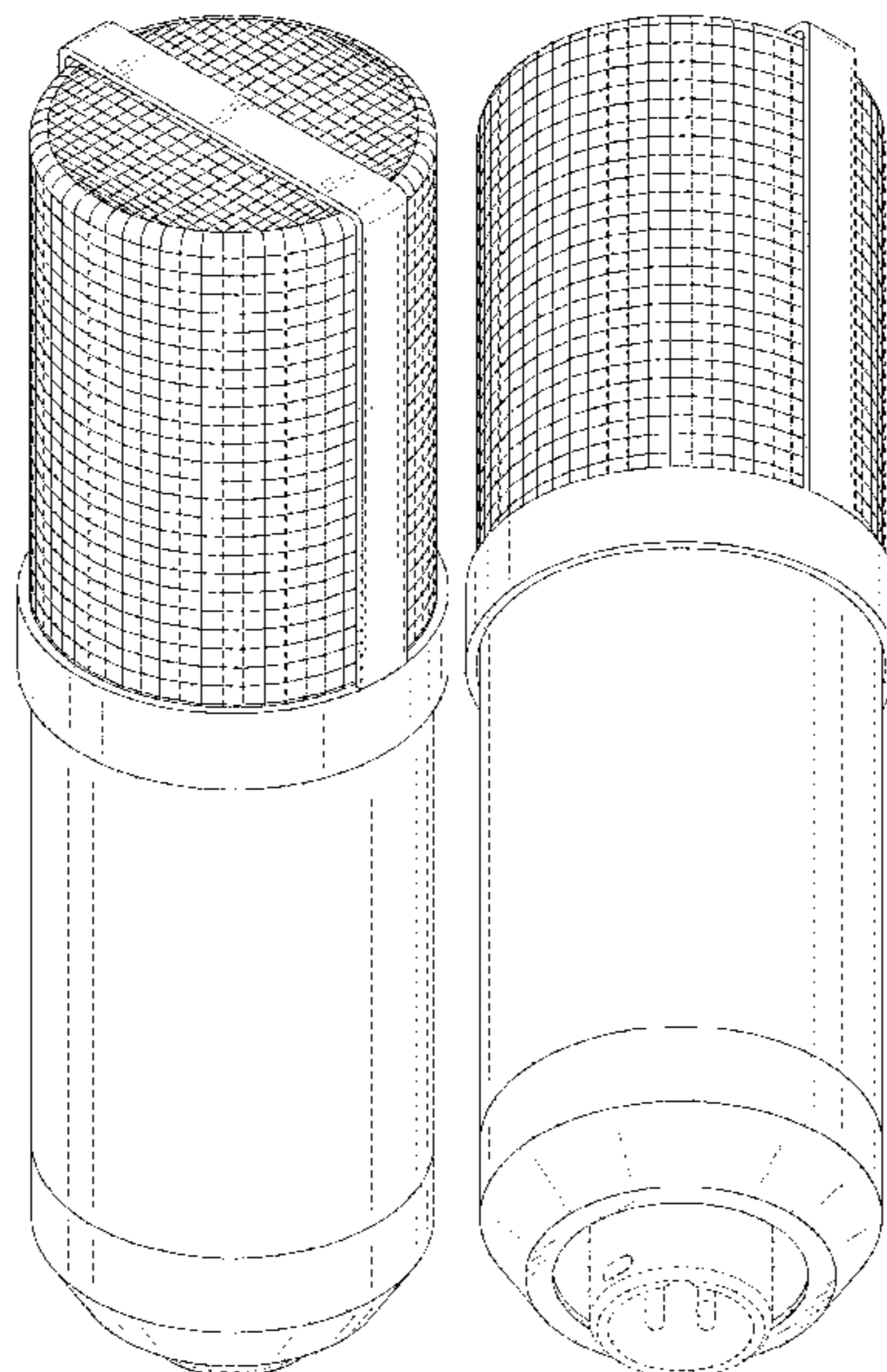
FIG. 6 is a right side elevation view thereof.

FIG. 7 is a top plan view thereof; and,

FIG. 8 is a bottom plan view thereof.

The broken lines shown in the drawings are included for the purpose of illustrating portions of the microphone that form no part of the claimed design.

**1 Claim, 8 Drawing Sheets**



(56)

References Cited

U.S. PATENT DOCUMENTS

D400,540 S \* 11/1998 Cruver, IV ..... D14/228  
 D415,163 S \* 10/1999 Chen ..... D14/228  
 D439,852 S \* 4/2001 Hisatsune ..... D10/104.1  
 D442,932 S \* 5/2001 Koike ..... D14/155  
 D444,782 S \* 7/2001 Chung ..... D14/228  
 D447,131 S \* 8/2001 Hough ..... D14/228  
 D449,042 S \* 10/2001 Chung ..... D14/228  
 D516,546 S \* 3/2006 Sobol ..... D14/228  
 D549,209 S \* 8/2007 Bauman ..... D14/155  
 D582,843 S \* 12/2008 Linardos ..... D13/103  
 D586,333 S \* 2/2009 Tkachuk ..... D14/223  
 D594,855 S \* 6/2009 Metlen ..... D14/225  
 D594,856 S \* 6/2009 Marshall ..... D14/228  
 D599,786 S \* 9/2009 Metlen ..... D14/225  
 D603,845 S \* 11/2009 Tkachuk ..... D14/223  
 D603,849 S \* 11/2009 Durrett ..... D14/228  
 D604,274 S \* 11/2009 Durrett ..... D14/228  
 D605,637 S \* 12/2009 Sank ..... D14/225  
 D632,653 S \* 2/2011 Wikel ..... D13/144  
 7,889,882 B2 \* 2/2011 Marshall ..... H04R 19/04  
 381/355  
 D634,307 S \* 3/2011 Arpe ..... D14/228  
 D686,185 S \* 7/2013 Nee ..... D14/155  
 8,588,451 B2 \* 11/2013 Matsunaga ..... H04R 19/016  
 381/355  
 D707,661 S \* 6/2014 Okita ..... D14/228  
 D708,170 S \* 7/2014 Duek ..... D14/225  
 8,848,962 B2 \* 9/2014 Akino ..... H04R 19/04  
 381/356  
 D737,253 S \* 8/2015 Henricksen ..... D14/228  
 D751,533 S \* 3/2016 Godfrey ..... D14/228  
 D774,494 S \* 12/2016 Sunwoo ..... D14/227  
 9,877,113 B2 \* 1/2018 Akino ..... H04R 7/122  
 D813,207 S \* 3/2018 Shultz ..... D14/225  
 D835,612 S \* 12/2018 Tong ..... D14/225

D842,846 S \* 3/2019 Mai ..... D14/225  
 D850,423 S \* 6/2019 Chen ..... D14/227  
 D851,073 S \* 6/2019 Tong ..... D14/227  
 D864,922 S \* 10/2019 Mai ..... D14/227  
 D889,442 S \* 7/2020 Bovin ..... D14/228  
 D895,583 S \* 9/2020 Smith ..... D14/227  
 D899,407 S 10/2020 Mai  
 D905,023 S 12/2020 Renwick  
 D909,964 S \* 2/2021 Sun ..... D13/108  
 D917,429 S \* 4/2021 Xiang ..... D14/225  
 D917,430 S \* 4/2021 Mai ..... D14/225  
 D917,432 S \* 4/2021 Mai ..... D14/227  
 D918,184 S \* 5/2021 Xiang ..... D14/225  
 D918,186 S \* 5/2021 Mai ..... D14/227  
 D925,505 S \* 7/2021 Wang ..... D14/228  
 D925,506 S \* 7/2021 Wang ..... D14/228  
 D926,734 S \* 8/2021 Balac ..... D14/225  
 D929,973 S \* 9/2021 Mai ..... D14/227  
 2004/0005070 A1 \* 1/2004 Kanda ..... H04R 19/04  
 381/369  
 2006/0002576 A1 \* 1/2006 Akino ..... H04R 1/021  
 381/361  
 2008/0152174 A1 \* 6/2008 Marshall ..... H04R 19/04  
 381/172  
 2010/0208929 A1 \* 8/2010 Heil ..... H04R 11/04  
 381/355  
 2012/0237072 A1 \* 9/2012 Akino ..... H04R 19/04  
 381/356  
 2017/0149121 A1 \* 5/2017 Zachara ..... H04R 1/04  
 2017/0171670 A1 \* 6/2017 Akino ..... H04R 1/04

FOREIGN PATENT DOCUMENTS

CN 307041687 \* 12/2021  
 CN 307048375 \* 1/2022  
 GB 6153256 \* 8/2021

\* cited by examiner

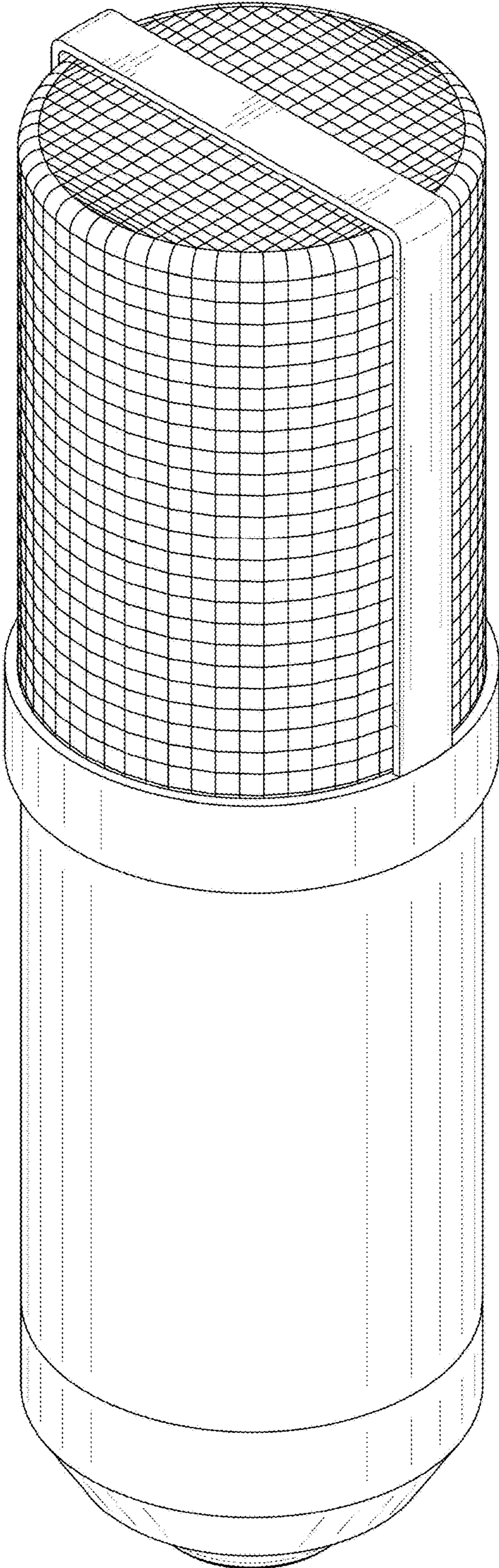


FIG. 1

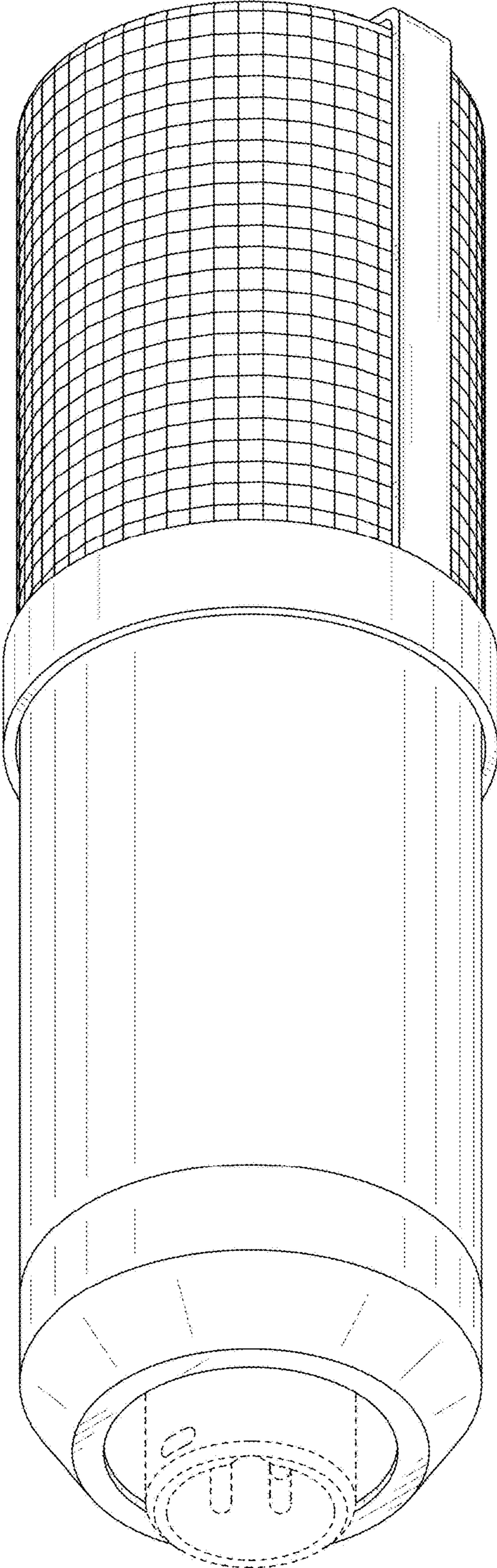


FIG. 2

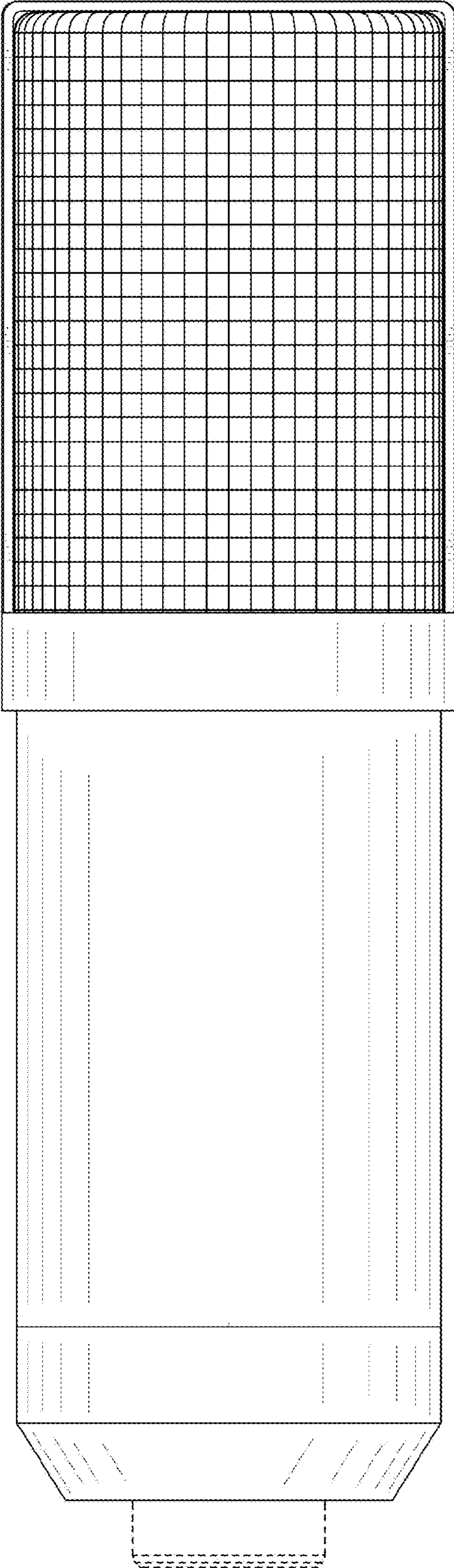


FIG. 3

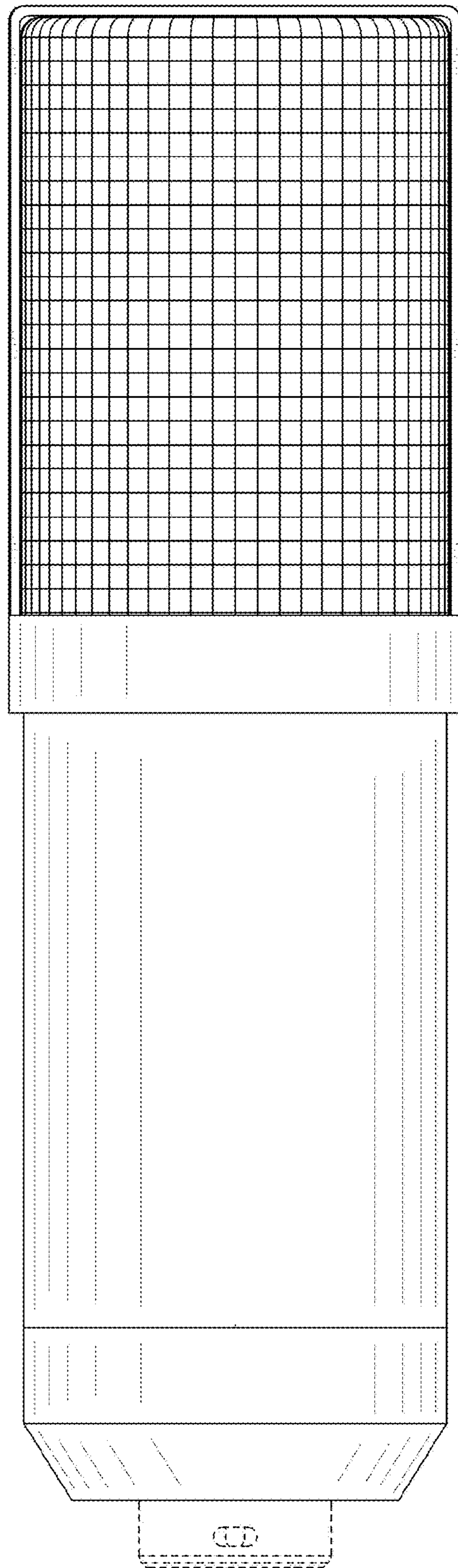


FIG. 4

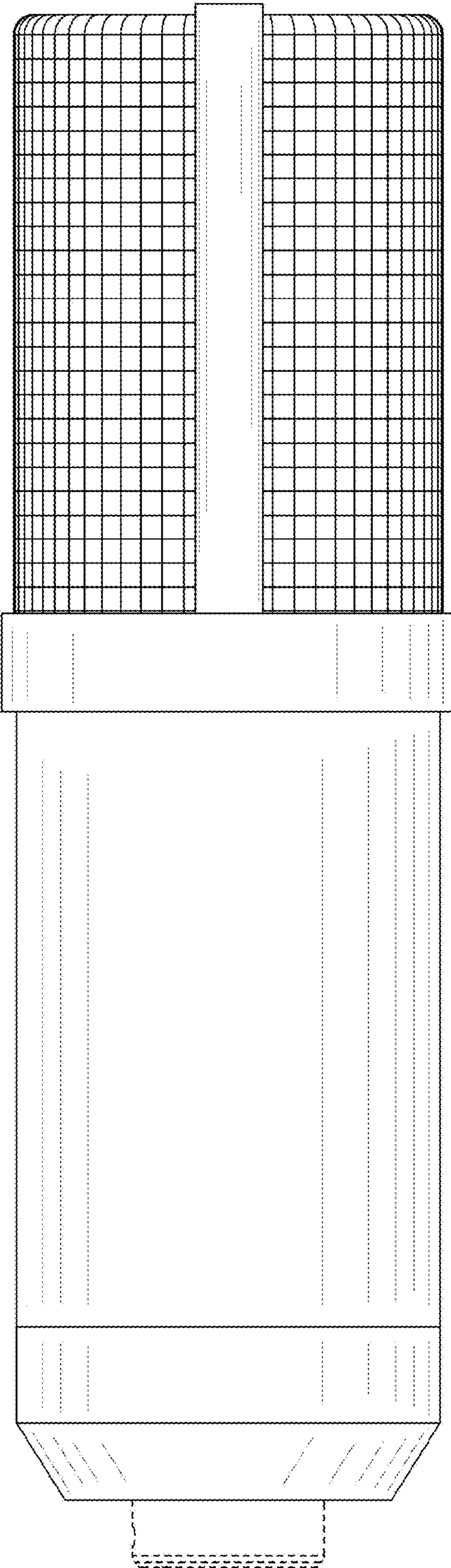


FIG. 5

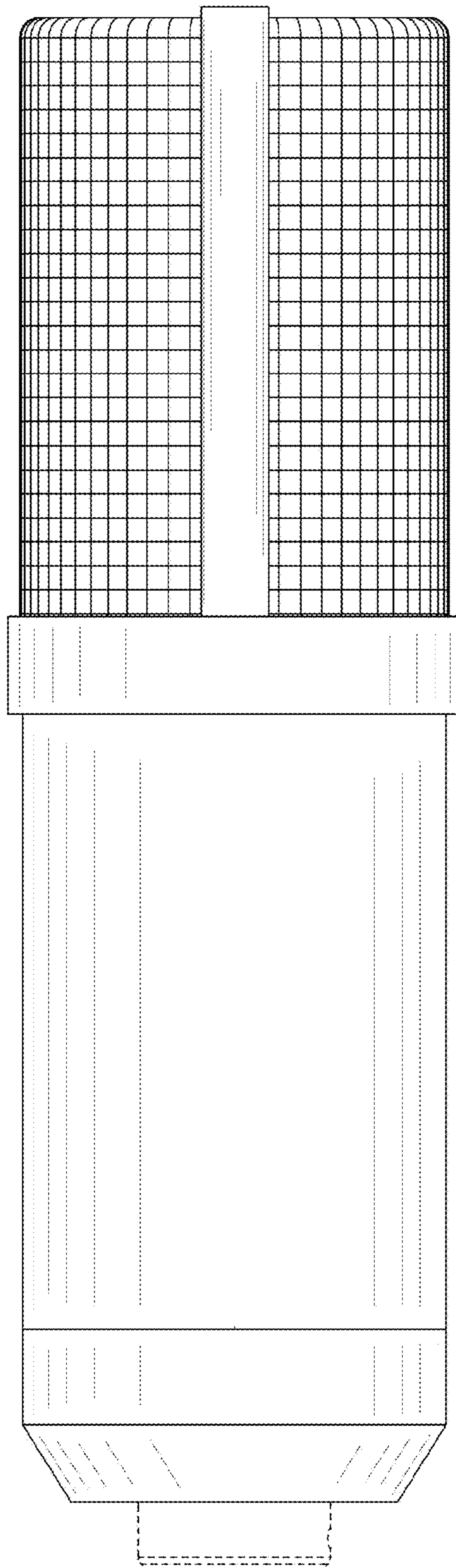


FIG. 6



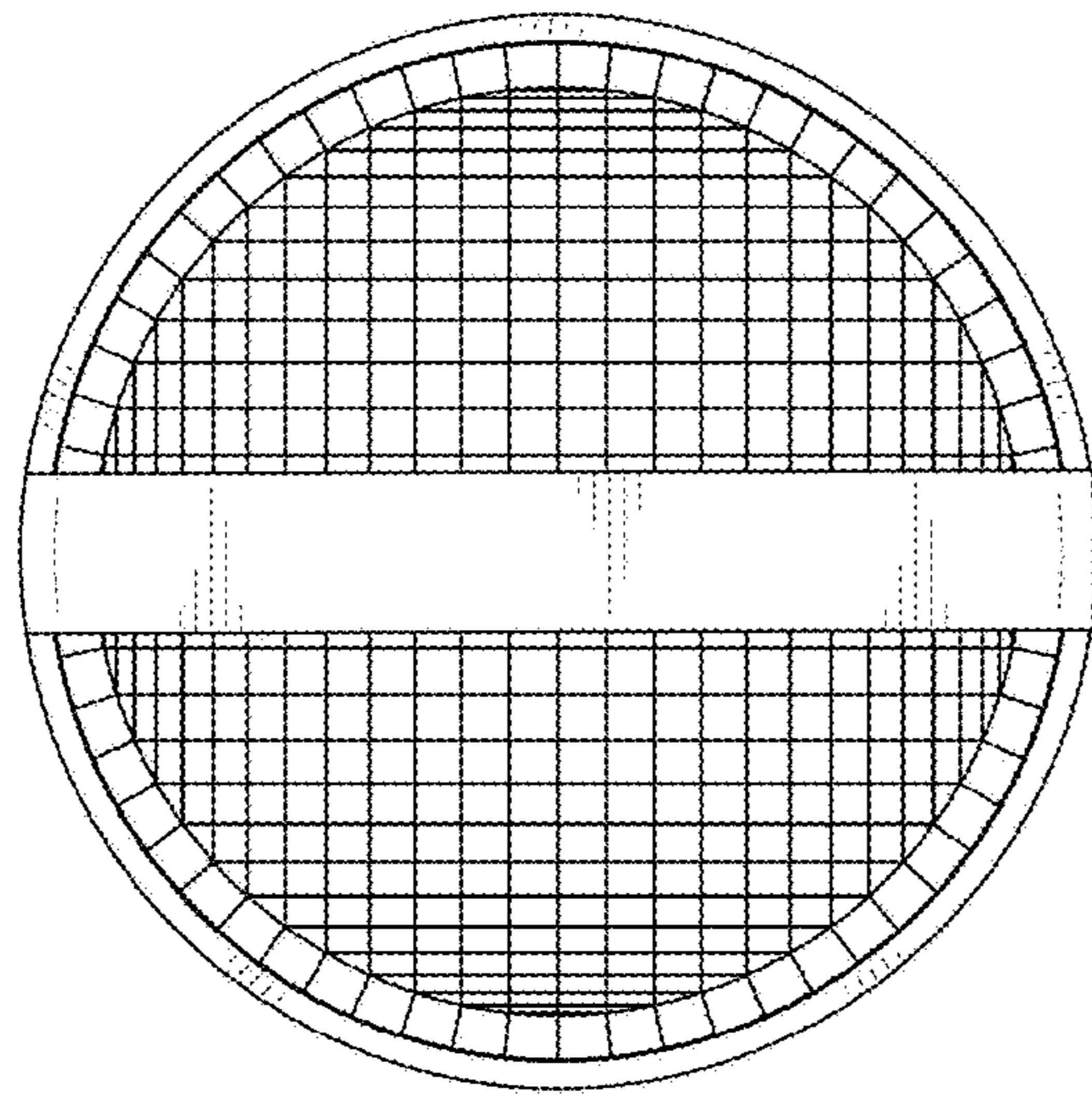


FIG. 7

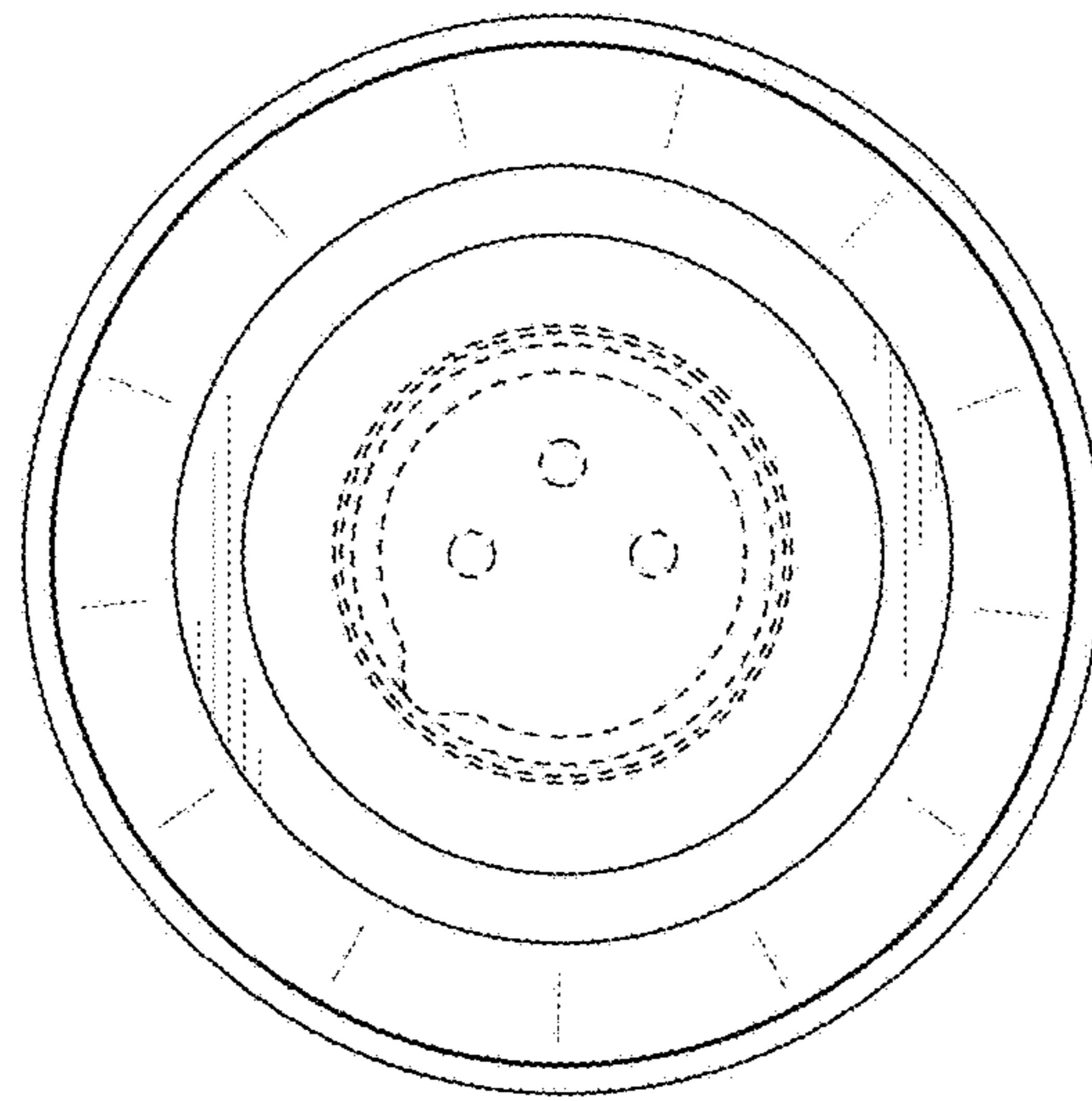


FIG. 8