



US00D946554S

(12) **United States Design Patent**
Sasaki et al.

(10) **Patent No.:** **US D946,554 S**
(45) **Date of Patent:** **** Mar. 22, 2022**

(54) **EARPHONE**
(71) Applicant: **JVCKENWOOD Corporation,**
Yokohama (JP)
(72) Inventors: **Yuzuko Sasaki,** Yokohama (JP);
Satoshi Yoshimura, Yokohama (JP)
(73) Assignee: **JVCKENWOOD Corporation,**
Yokohama (JP)
(**) Term: **15 Years**
(21) Appl. No.: **29/729,013**

5,625,171 A * 4/1997 Marshall H04R 1/1058
181/130
D421,755 S * 3/2000 Pitel D14/223
6,427,018 B1 * 7/2002 Keliiliki H04R 1/1066
381/381
D470,129 S * 2/2003 Hlas D14/205
D501,196 S * 1/2005 Dyer D14/205
D506,462 S * 6/2005 Han D14/205
D508,911 S * 8/2005 Sanders D14/223
D510,575 S * 10/2005 Leong D14/205
D515,069 S * 2/2006 Naito D14/205
7,089,042 B2 * 8/2006 Bodley H04M 1/05
381/104
D541,787 S * 5/2007 Ma D14/205
D543,968 S * 6/2007 Wong D14/205
(Continued)

(22) Filed: **Mar. 24, 2020**
(51) **LOC (13) Cl.** **14-01**
(52) **U.S. Cl.**
USPC **D14/223**
(58) **Field of Classification Search**
USPC D14/206, 205, 223, 240, 226; D24/174;
128/964, 865, 866; 181/129; 381/380,
381/381, 187, 374, 375; 455/90.3, 575.1,
455/569.1
CPC H04R 1/10; H04R 1/105; H04R 1/1066;
H04R 1/1016; H04R 25/00; H04R 25/02;
H04R 1/1083
See application file for complete search history.

FOREIGN PATENT DOCUMENTS

CN 306284612 * 1/2021
JP D1661079 * 5/2020

Primary Examiner — Paula Allen Greene
(74) *Attorney, Agent, or Firm* — Amin, Turocy & Watson,
LLP

(57) **CLAIM**

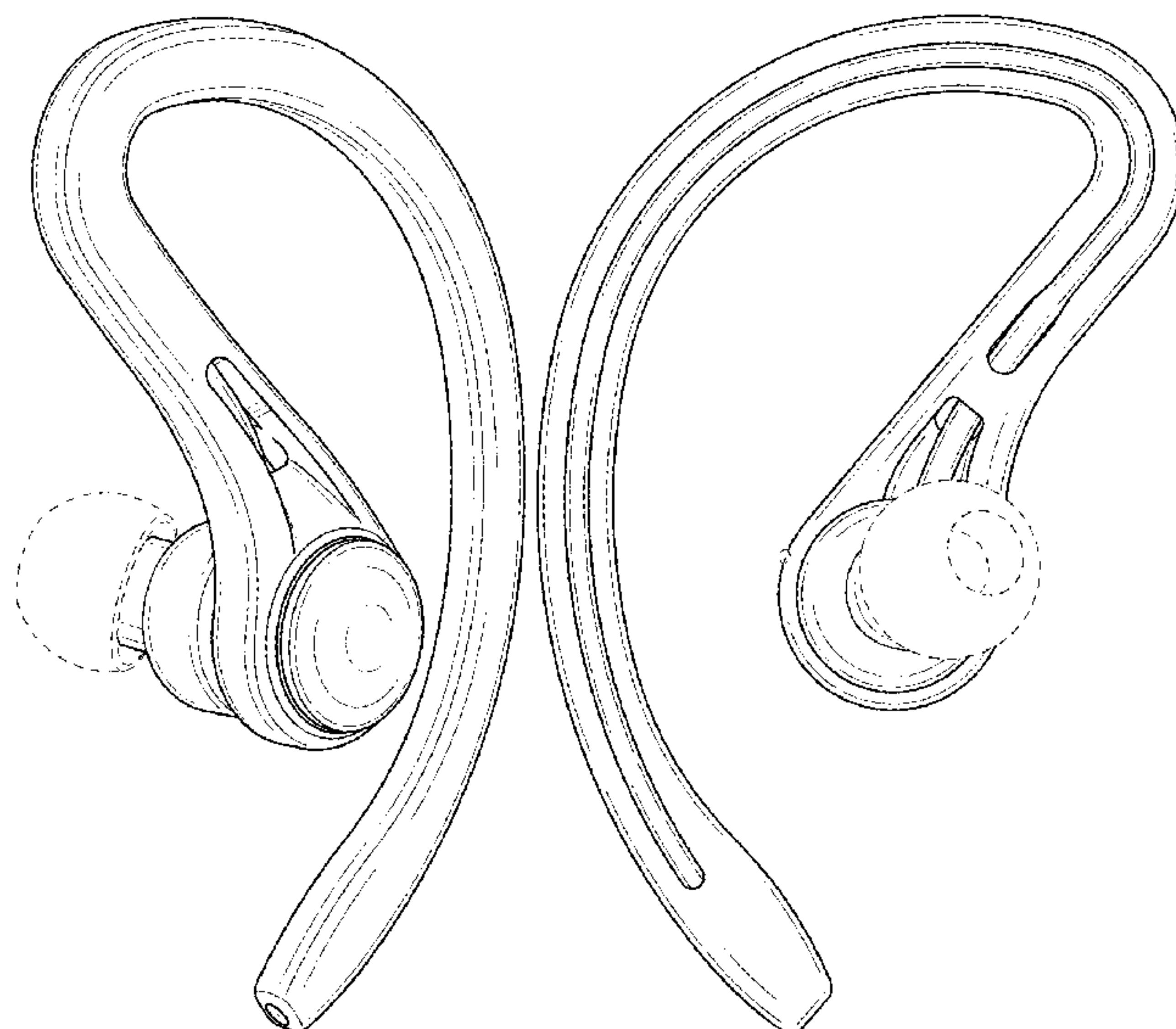
The ornamental design for an earphone, as shown and described.

DESCRIPTION

FIG. 1 is a first perspective view of an earphone.
FIG. 2 is a second perspective view thereof.
FIG. 3 is a front elevation view thereof.
FIG. 4 is a rear elevation view thereof.
FIG. 5 is a top plan view thereof.
FIG. 6 is a bottom plan view thereof.
FIG. 7 is a right side elevation view thereof; and,
FIG. 8 is a left side elevation view thereof.
The broken lines shown in the drawings illustrate portions of the earphone that form no part of the claimed design.

1 Claim, 8 Drawing Sheets

(56) **References Cited**
U.S. PATENT DOCUMENTS
2,513,746 A * 7/1950 Rohr H04R 25/604
181/135
2,641,327 A * 6/1953 Balmer H04R 1/105
181/129
4,090,042 A * 5/1978 Larkin H04B 1/385
181/20
D326,268 S * 5/1992 Le Tixerant D14/251
5,410,608 A * 4/1995 Lucey H04R 1/083
381/360
5,412,736 A * 5/1995 Keliiliki H04R 1/105
381/330



(56)

References Cited

U.S. PATENT DOCUMENTS

7,231,056 B2 *	6/2007	Chen	H04R 1/1066	381/374				
D556,735 S *	12/2007	Yeo	D14/206					
D575,772 S *	8/2008	Schultz	D14/206					
D601,126 S *	9/2009	Christopher	D14/206					
D603,847 S *	11/2009	Chung	D14/223					
7,648,005 B2 *	1/2010	Leong	A61F 11/08	181/135				
D617,778 S *	6/2010	Birger	D14/223					
7,841,446 B2 *	11/2010	Leong	A61F 11/08	181/135				
D635,960 S *	4/2011	Gondo	D14/223					
D639,787 S *	6/2011	Quek	D14/223					
D645,454 S *	9/2011	Quek	D14/223					
8,111,854 B2 *	2/2012	Peng	H04R 1/1075	381/338				
8,265,328 B2 *	9/2012	Milde	H04R 1/1066	381/381				
D671,913 S *	12/2012	Warden	D14/204					
D695,719 S *	12/2013	Burgett	D14/223					
8,655,005 B2 *	2/2014	Birger	H04R 1/1091	381/381				
D718,283 S *	11/2014	Thompson	D14/223					
D755,159 S *	5/2016	Birger	D14/206					
D761,770 S *	7/2016	Kanou	D14/223					
D778,257 S *	2/2017	Hu	D14/205					
D793,360 S *	8/2017	Birger	D14/206					
D809,486 S *	2/2018	Arimoto	D14/223					
D809,487 S *	2/2018	Lee	D14/223					
D816,637 S *	5/2018	Hardi	D14/205					
D830,337 S *	10/2018	Yan	D14/206					
D843,971 S *	3/2019	Xu	D14/206					
D850,408 S *	6/2019	Kawabata	D14/206					
D863,265 S *	10/2019	Hu	D14/223					
D881,850 S *	4/2020	Zhang	D14/223					
D921,614 S *	6/2021	Yoshimura	D14/223					
D926,731 S *	8/2021	Deng	D14/223					
2013/0010997 A1 *	1/2013	Tanaka	A61B 5/01	381/380				
2020/0413178 A1 *	12/2020	Kreuzer	H04R 1/1066					
2021/0000419 A1 *	1/2021	Gil	A61B 5/6817					

* cited by examiner

FIG. 1

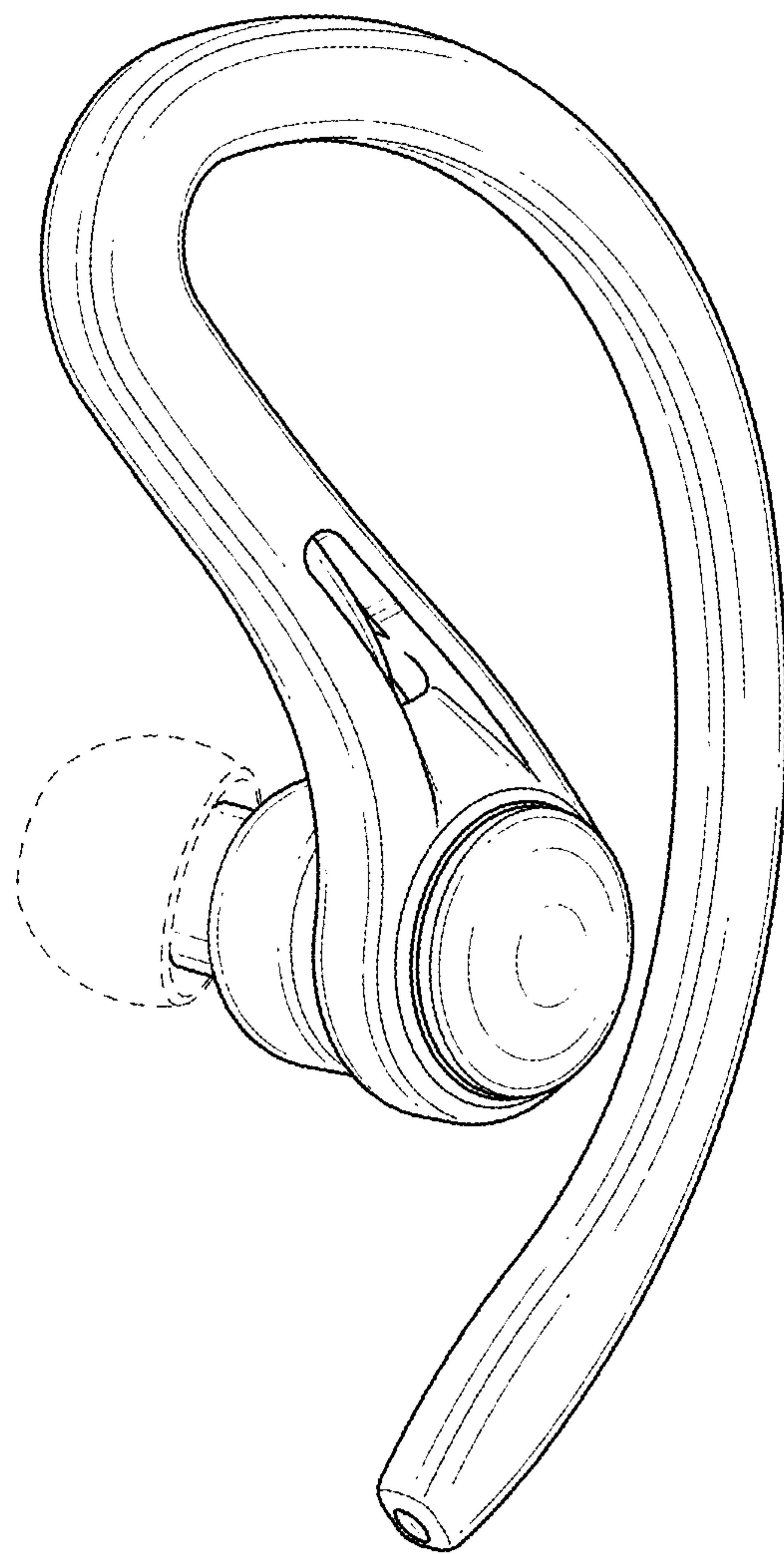


FIG. 2

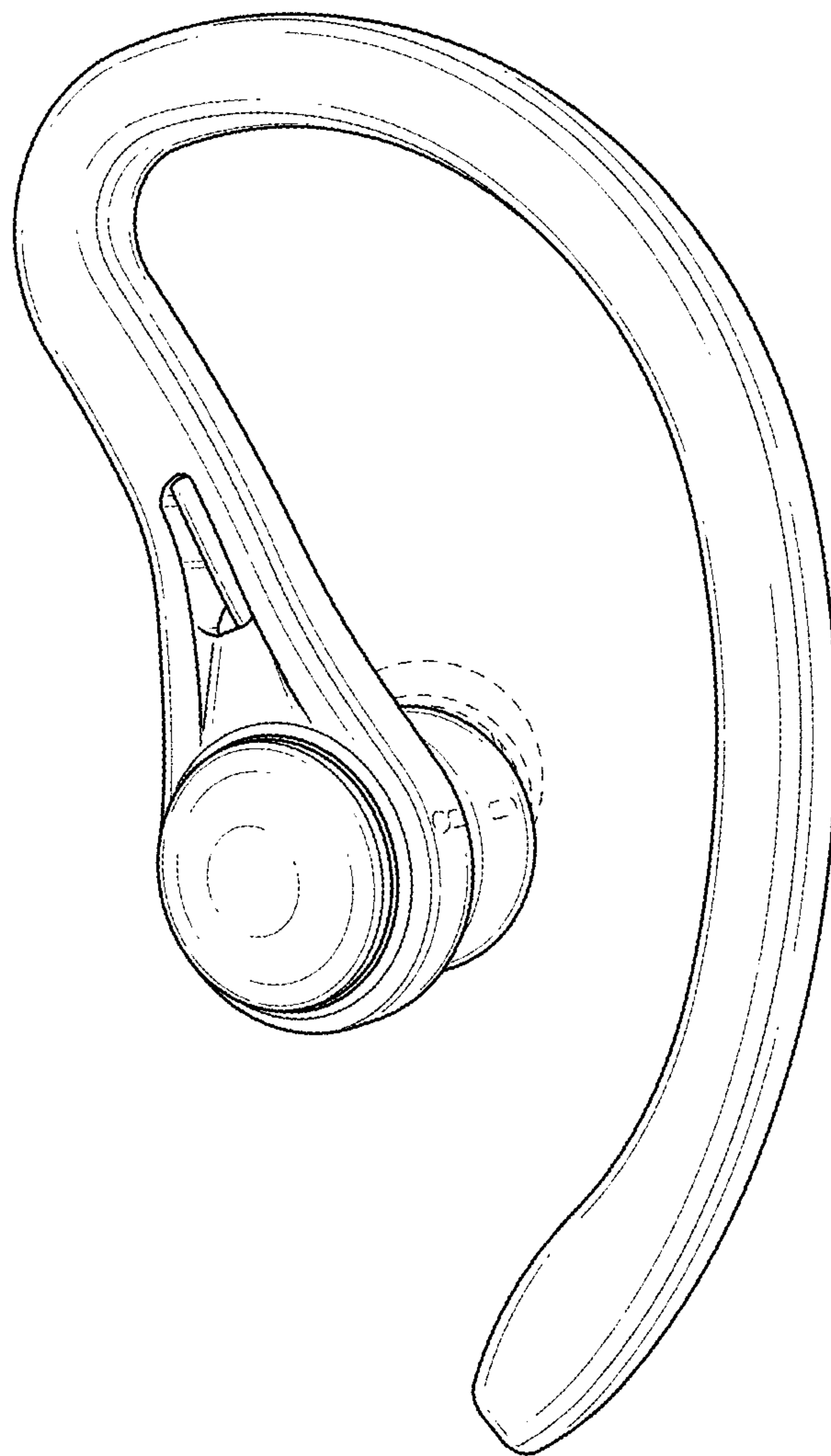


FIG. 3

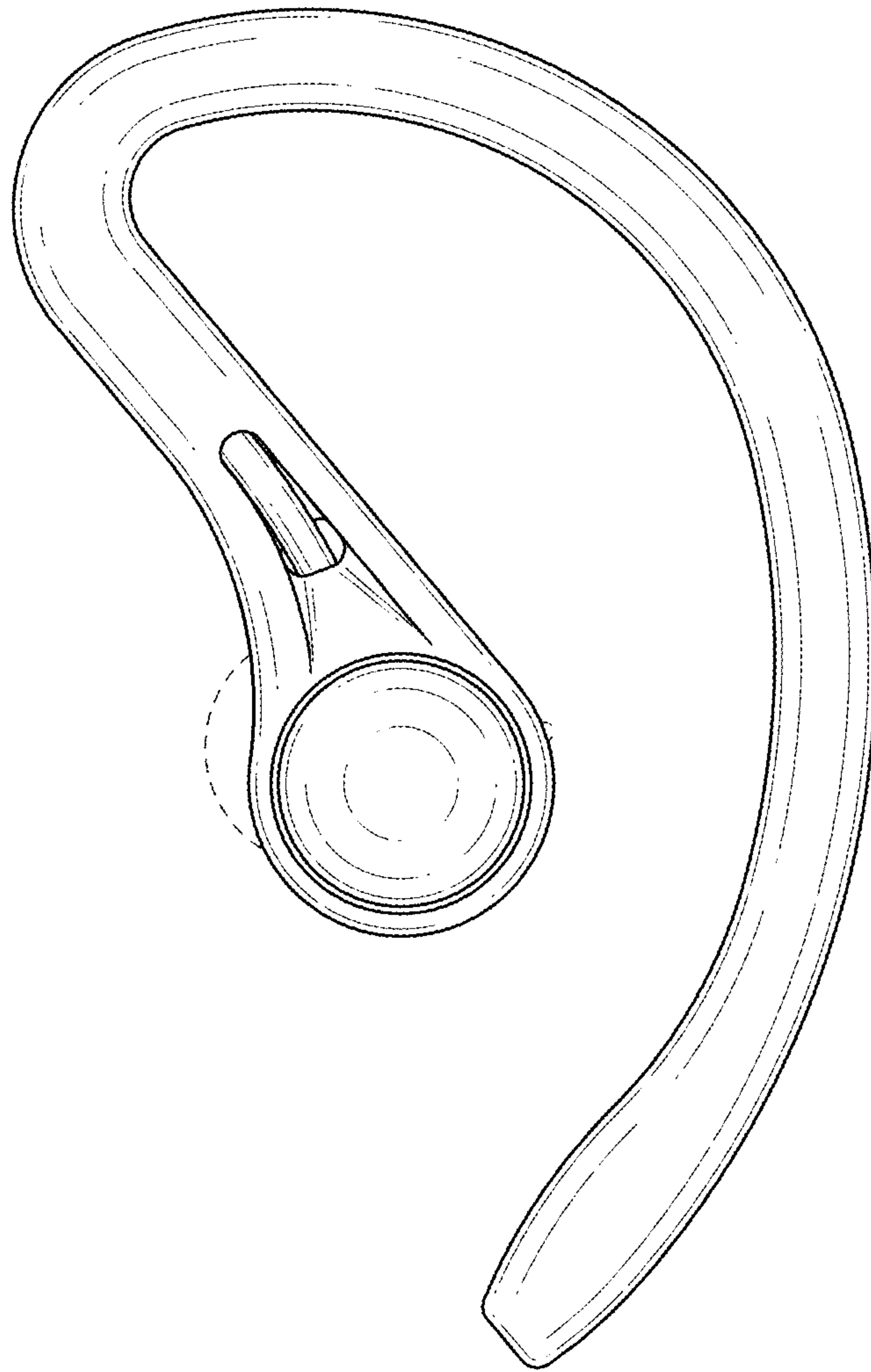


FIG. 4

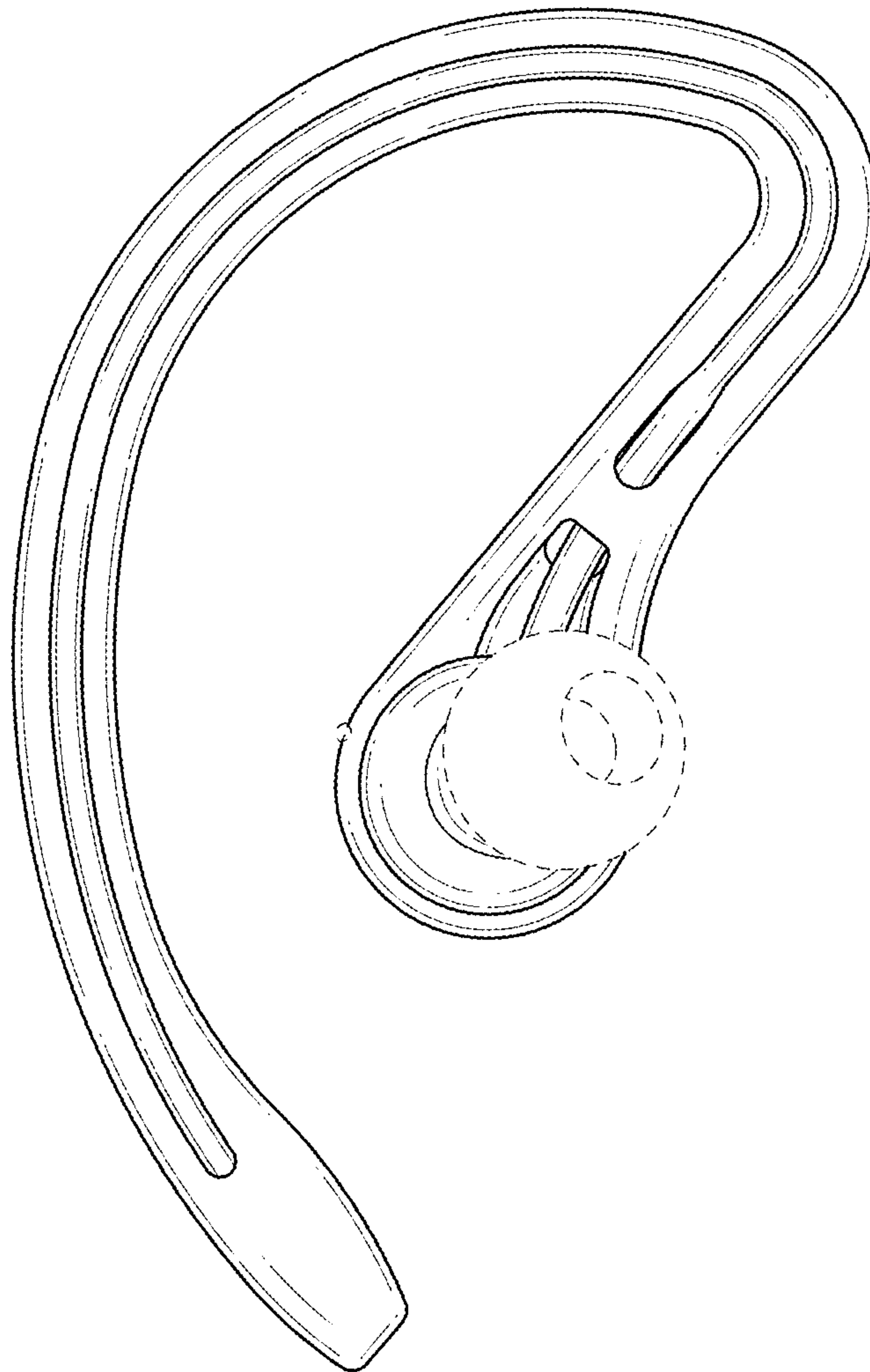


FIG. 5

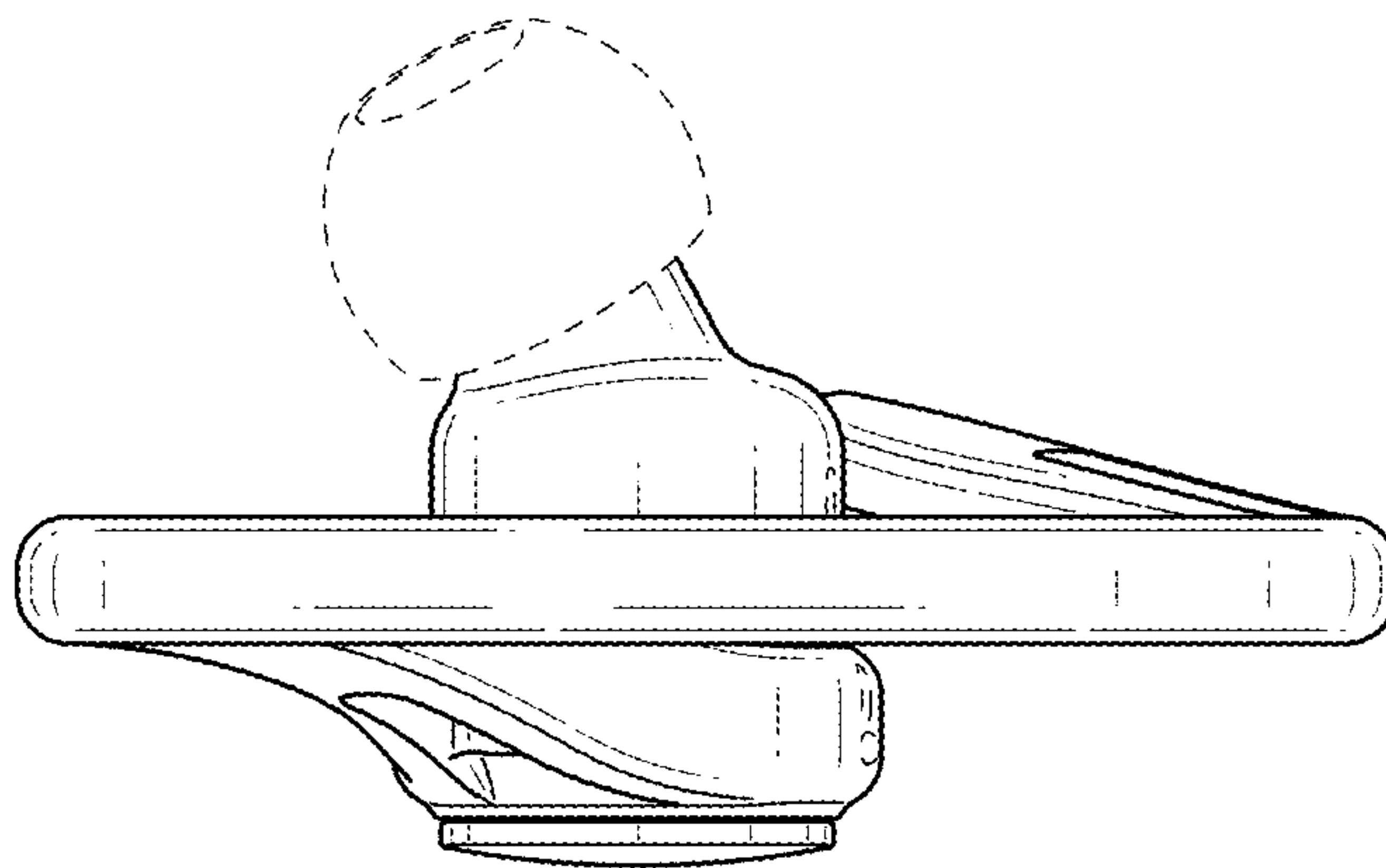


FIG. 6

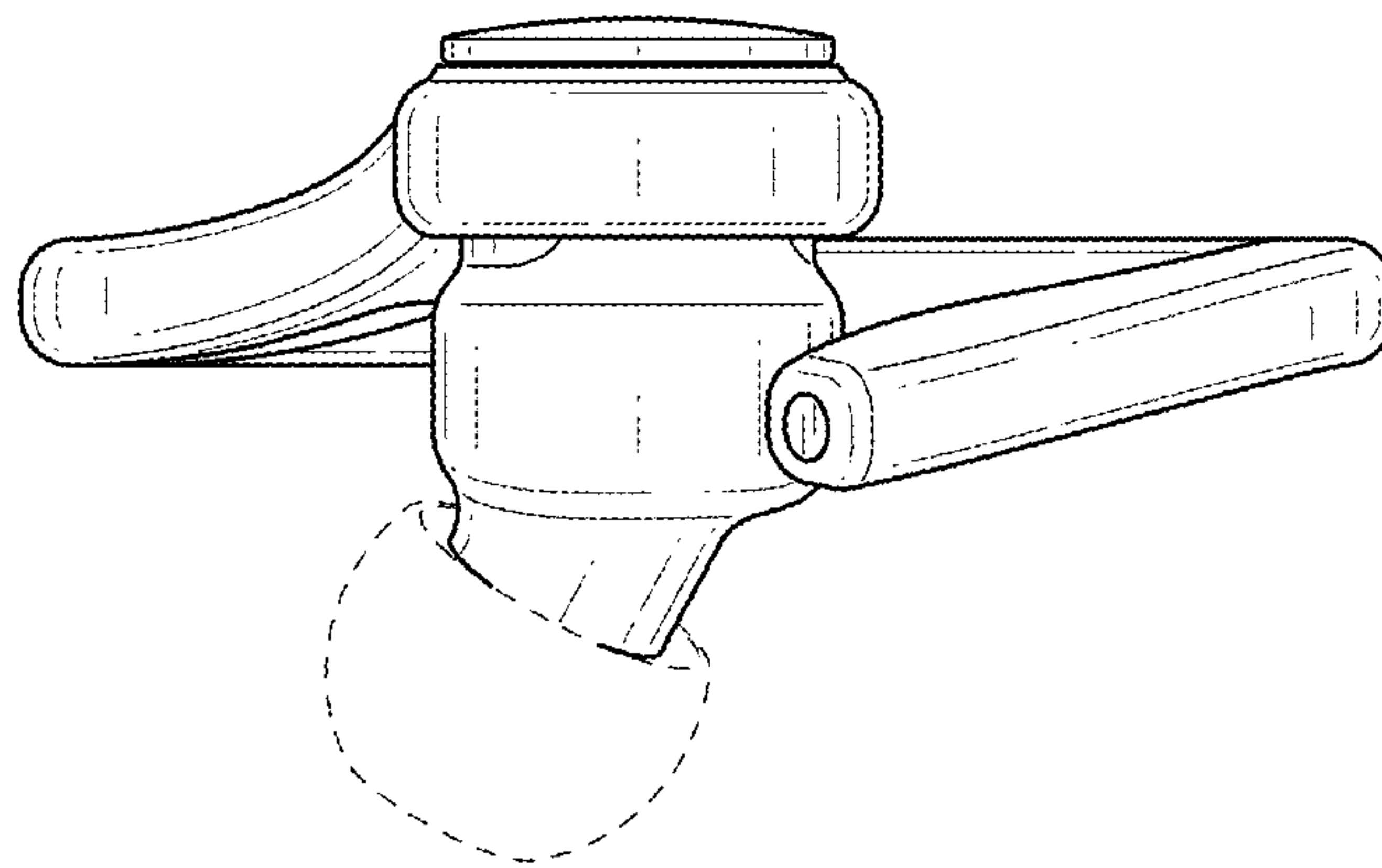


FIG. 7

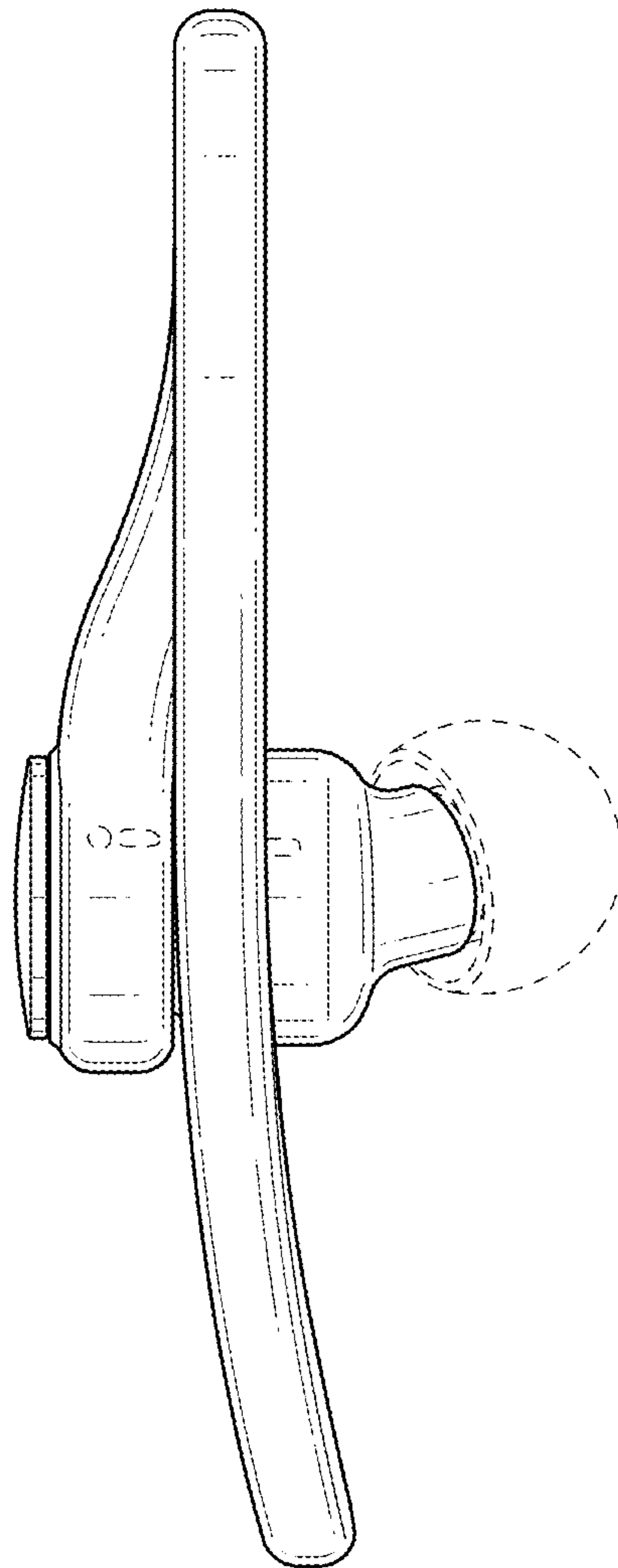


FIG. 8

