



US00D946553S

(12) **United States Design Patent**  
**Cen**

(10) **Patent No.:** **US D946,553 S**  
(45) **Date of Patent:** **\*\* Mar. 22, 2022**

(54) **SPEAKER**  
(71) Applicants: **DONGGUAN JIAYIN INDUSTRIAL CO., LTD.**, Dongguan (CN);  
**SHENZHEN HUAXUN TIAN TUO TECHNOLOGY CO., LTD.**, Shenzhen (CN)

(72) Inventor: **Min Cen**, Shenzhen (CN)

(73) Assignees: **DONGGUAN JIAYIN INDUSTRIAL CO., LTD.**, Dongguan (CN);  
**SHENZHEN HUAXUN TIAN TUO TECHNOLOGY CO., LTD.**, Shenzhen (CN)

(\*\*) Term: **15 Years**

(21) Appl. No.: **29/779,047**

(22) Filed: **Apr. 16, 2021**

(51) **LOC (13) Cl.** ..... **14-01**

(52) **U.S. Cl.**  
USPC ..... **D14/216; D14/496**

(58) **Field of Classification Search**  
USPC ..... D14/137, 155, 159, 167, 168, 172, 188, D14/194, 195, 203.1, 203.6, 204, 209.1, D14/212, 213, 216, 217, 221, 240, 242, D14/299, 314, 348, 349, 356-358, 432, D14/474, 496; D10/104.1, 106.1-106.9; D13/108, 110, 123, 158, 177, 199  
CPC ..... H04L 12/00; H03K 17/00; H04W 88/00; H04W 88/04; H04B 1/38; G10H 1/361; H04R 5/00; H04R 1/02; H04R 1/04; H04R 1/08  
See application file for complete search history.

(56) **References Cited**

**U.S. PATENT DOCUMENTS**

D711,352 S \* 8/2014 Szymanski ..... D14/221  
D711,353 S \* 8/2014 Szymanski ..... D14/221

D712,378 S \* 9/2014 Mackiewicz ..... D14/216  
D743,377 S \* 11/2015 Mackiewicz ..... D14/216  
D792,373 S \* 7/2017 Flowers et al.  
D802,022 S \* 11/2017 Yao ..... D14/496  
D836,609 S \* 12/2018 Yoon ..... D14/216  
D840,436 S \* 2/2019 Demin ..... D14/496  
D840,966 S \* 2/2019 Cheney  
D843,418 S \* 3/2019 Demin ..... D14/496  
D847,115 S \* 4/2019 Li ..... D14/204  
D890,006 S \* 7/2020 Takano ..... D10/104.1

(Continued)

**FOREIGN PATENT DOCUMENTS**

CN 306579226 \* 6/2021

**OTHER PUBLICATIONS**

15 Best Bluetooth Speakers With Light Show [online] posted by Simon Lyon. Megatek Portable Bluetooth Speakers pictured therein. Posted Nov. 18, 2021. [Retrieved from the Internet Feb. 1, 2022.] <URL: <https://www.thesoundjunky.com/best-bluetooth-speaker-with-light-show/> >.\*

*Primary Examiner* — Rebekah A Caruso

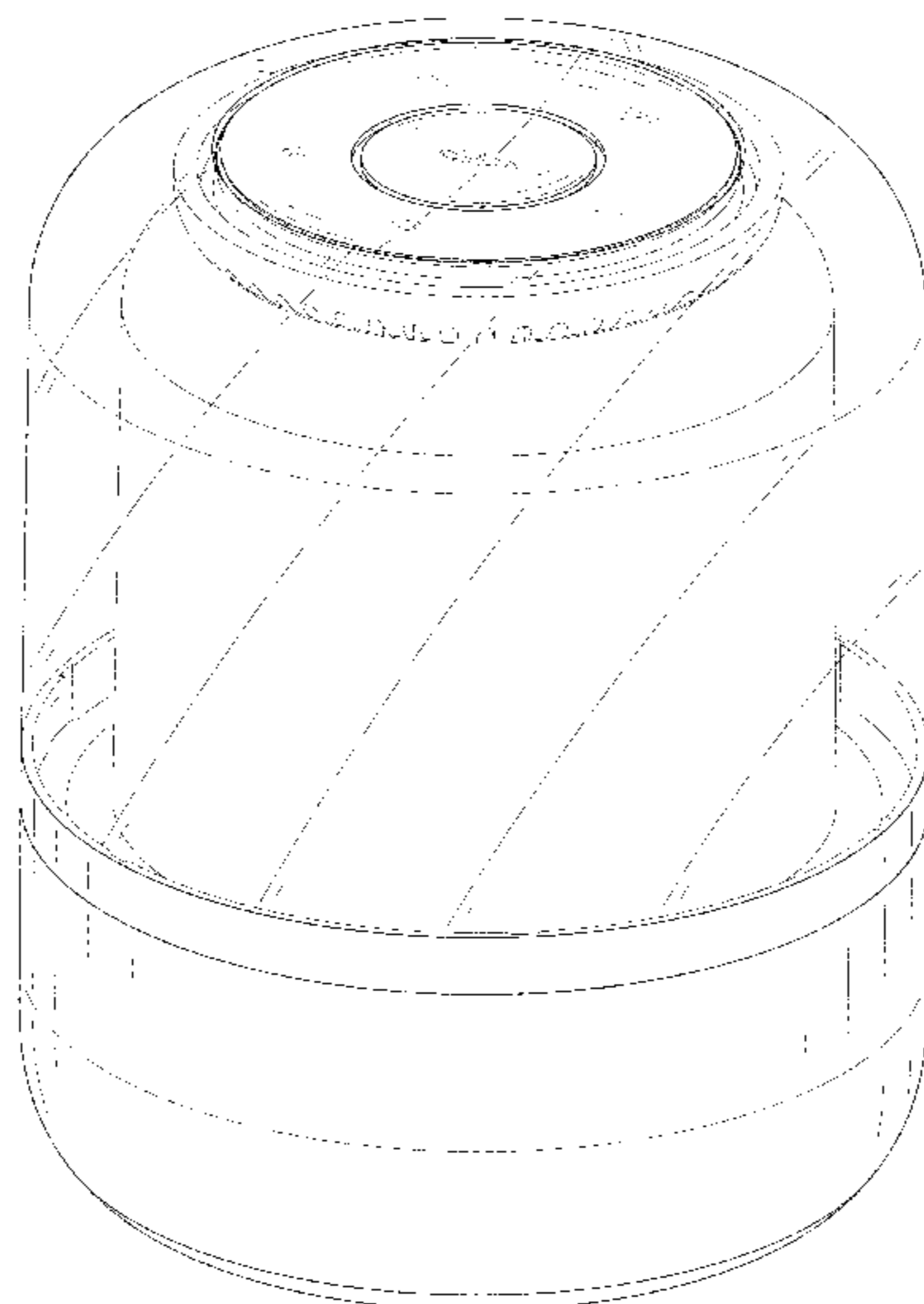
(57) **CLAIM**

The ornamental design for a speaker, as shown and described.

**DESCRIPTION**

FIG. 1 is a perspective view of a speaker showing my new design;  
FIG. 2 is another perspective view thereof;  
FIG. 3 is a front elevational view thereof  
FIG. 4 is a rear elevational view thereof;  
FIG. 5 is a left side elevational view thereof;  
FIG. 6 is a right side elevational view thereof;  
FIG. 7 is a top plan view thereof; and,  
FIG. 8 is a bottom plan view thereof.  
The broken lines in the drawings depict portions of the speaker that form no part of the claimed design.

**1 Claim, 8 Drawing Sheets**



(56)

**References Cited**

U.S. PATENT DOCUMENTS

D905,012 S *	12/2020	Lee .....	D14/216
D908,661 S *	1/2021	Teruzzi .....	D14/204
D909,332 S *	2/2021	Sretovic .....	D14/204
D912,645 S *	3/2021	Xi .....	D14/216
D940,103 S *	1/2022	Xing .....	D14/496
2018/0220213 A1 *	8/2018	Wu .....	H04R 9/06
2020/0304914 A1 *	9/2020	Mata Magana .....	H04R 5/02

\* cited by examiner

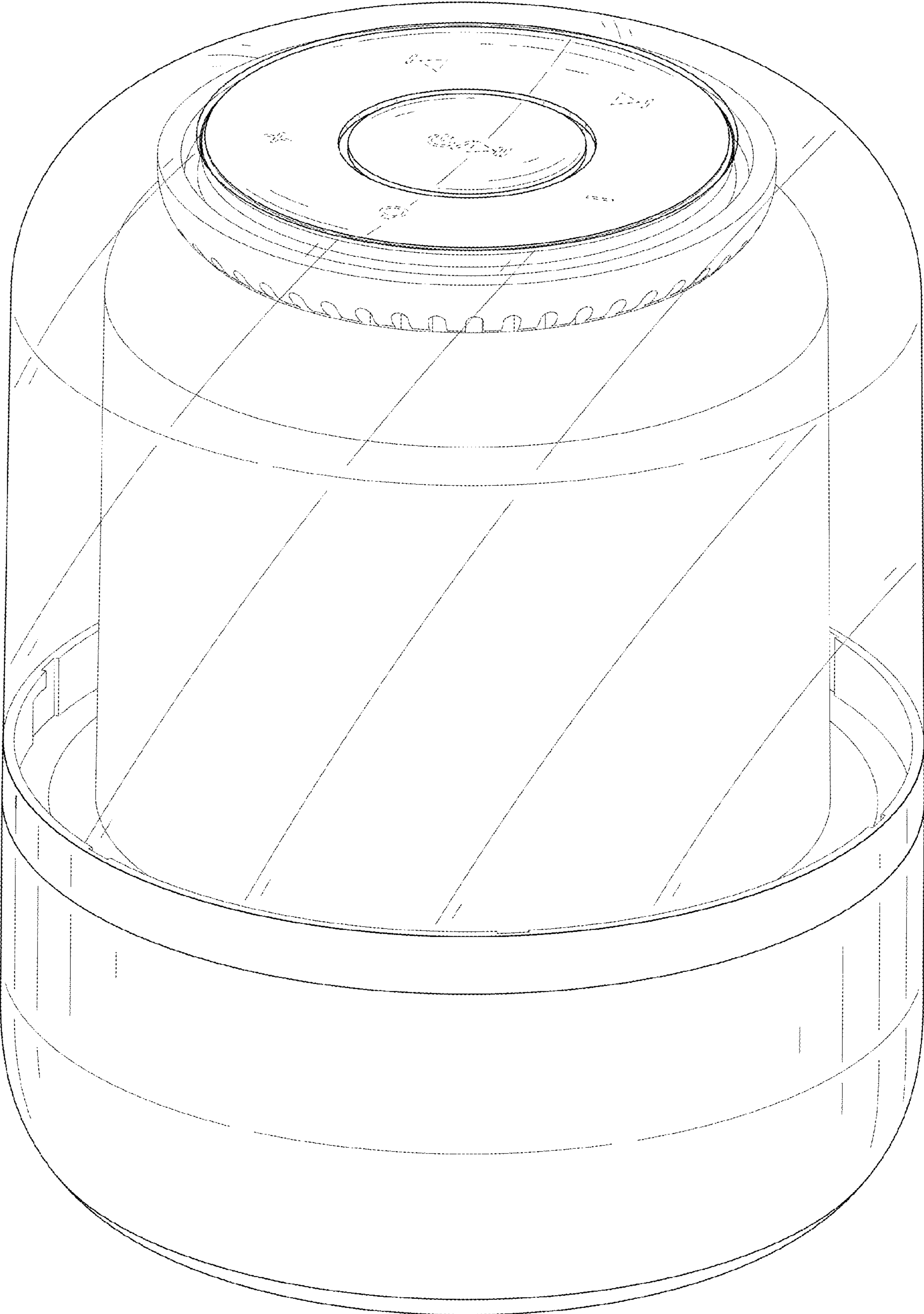


FIG. 1

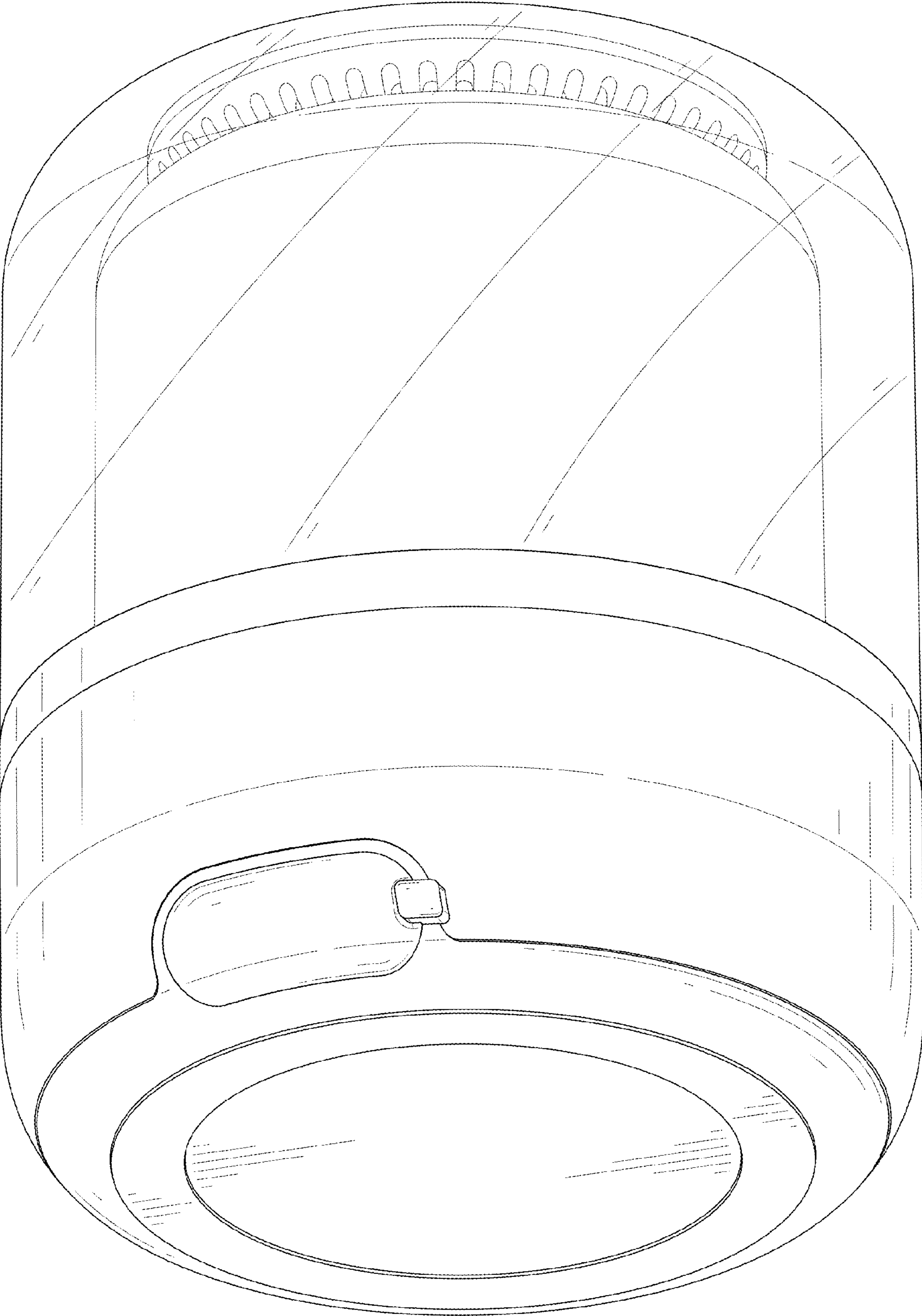


FIG. 2

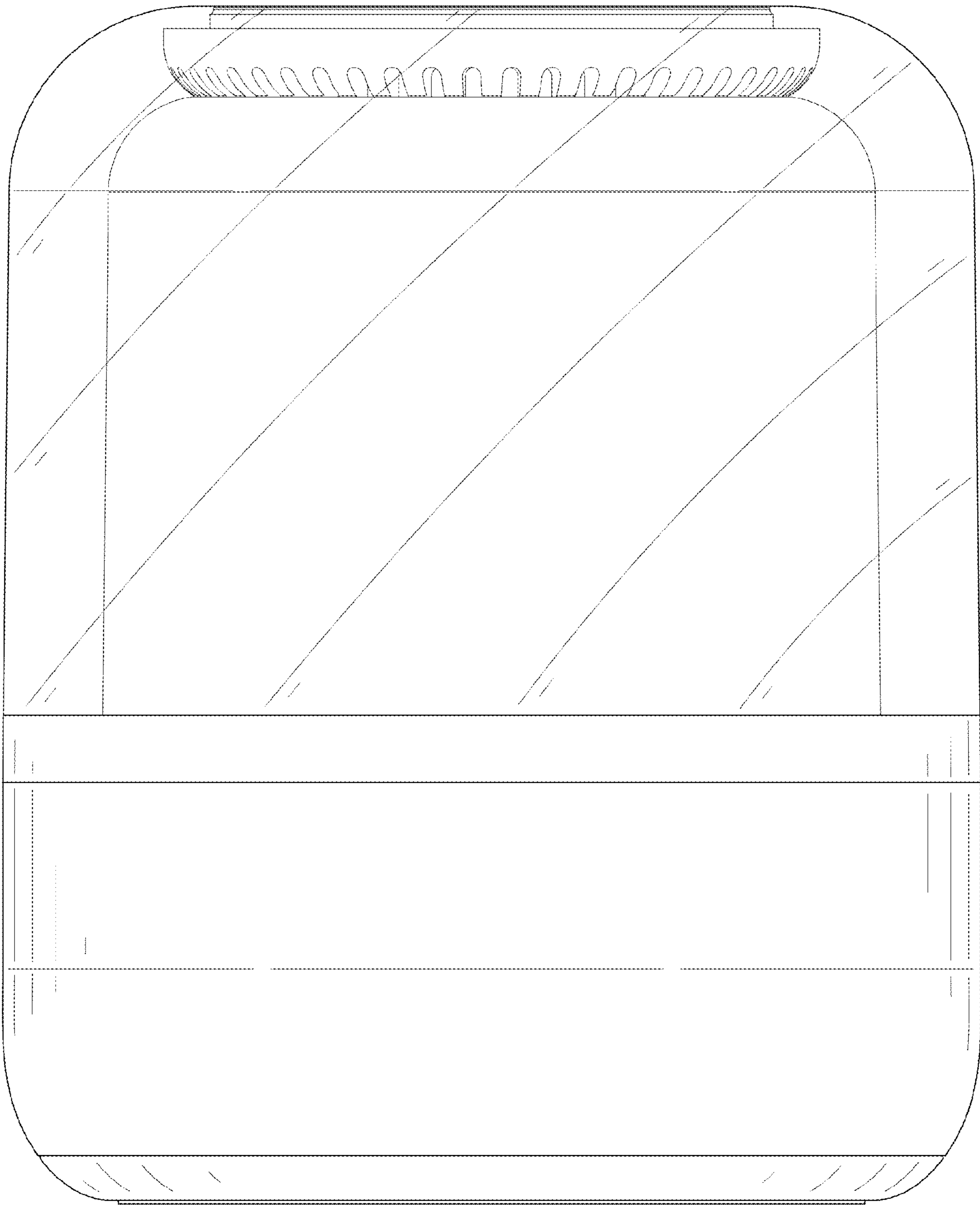


FIG. 3

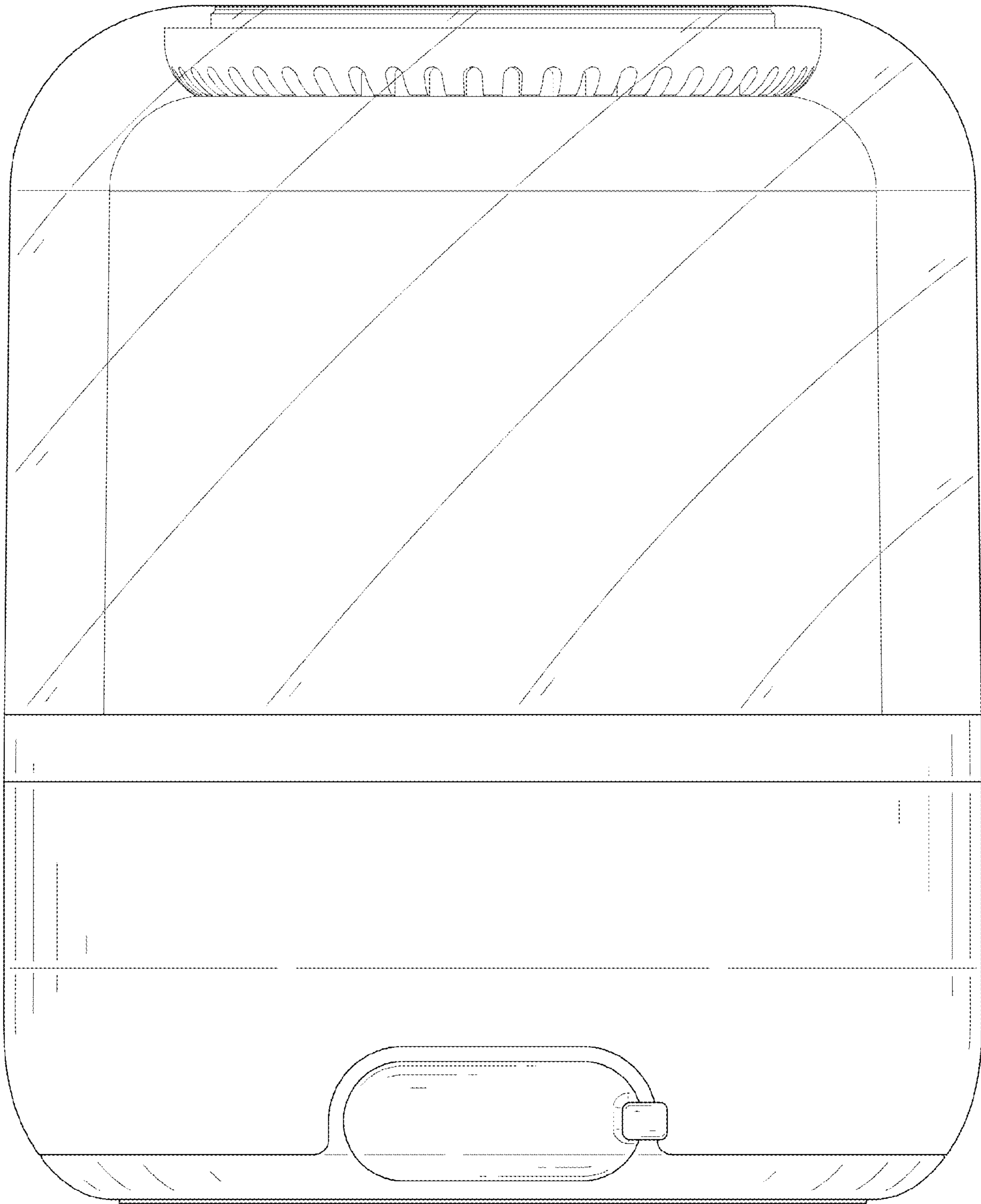


FIG. 4

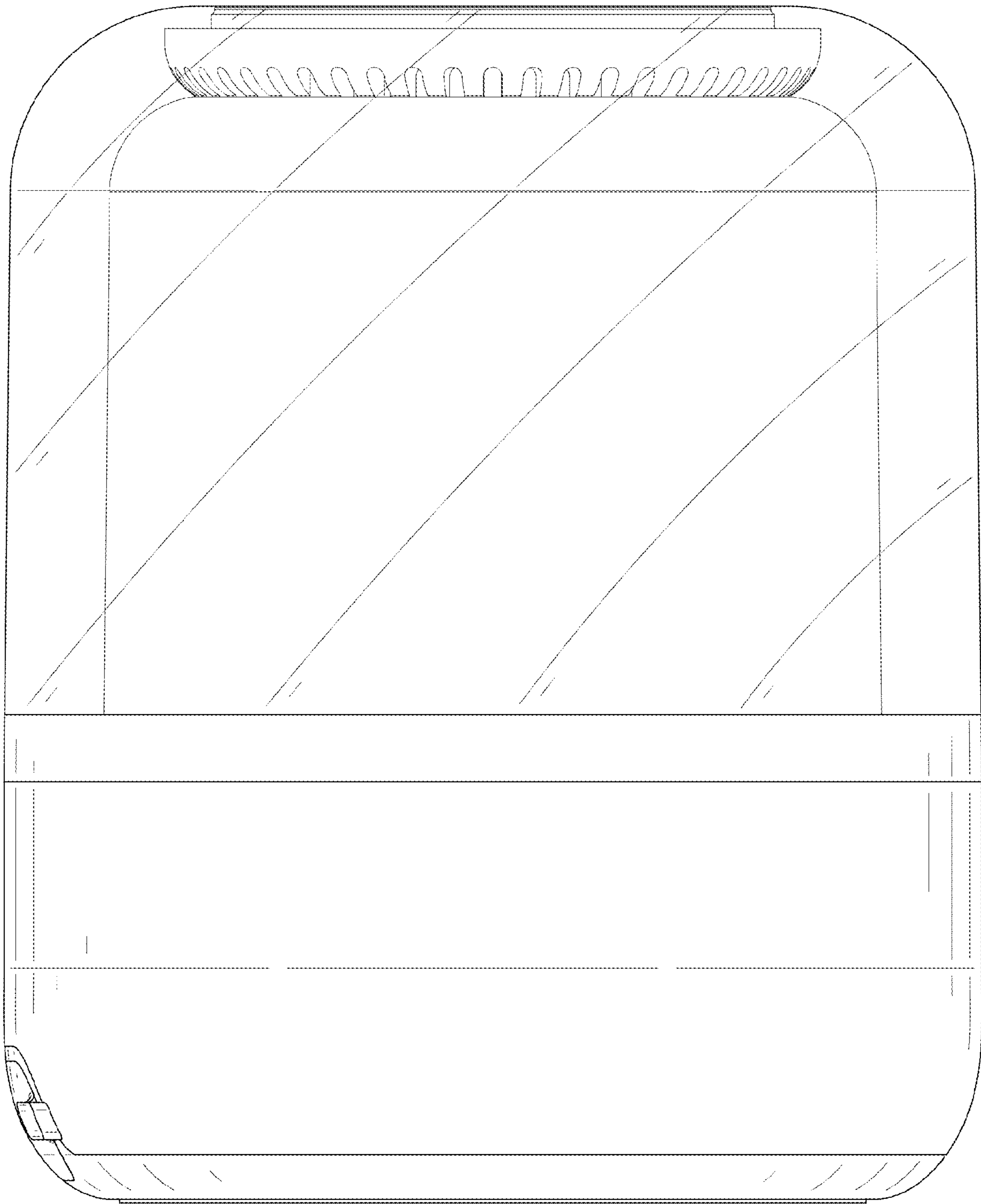


FIG. 5

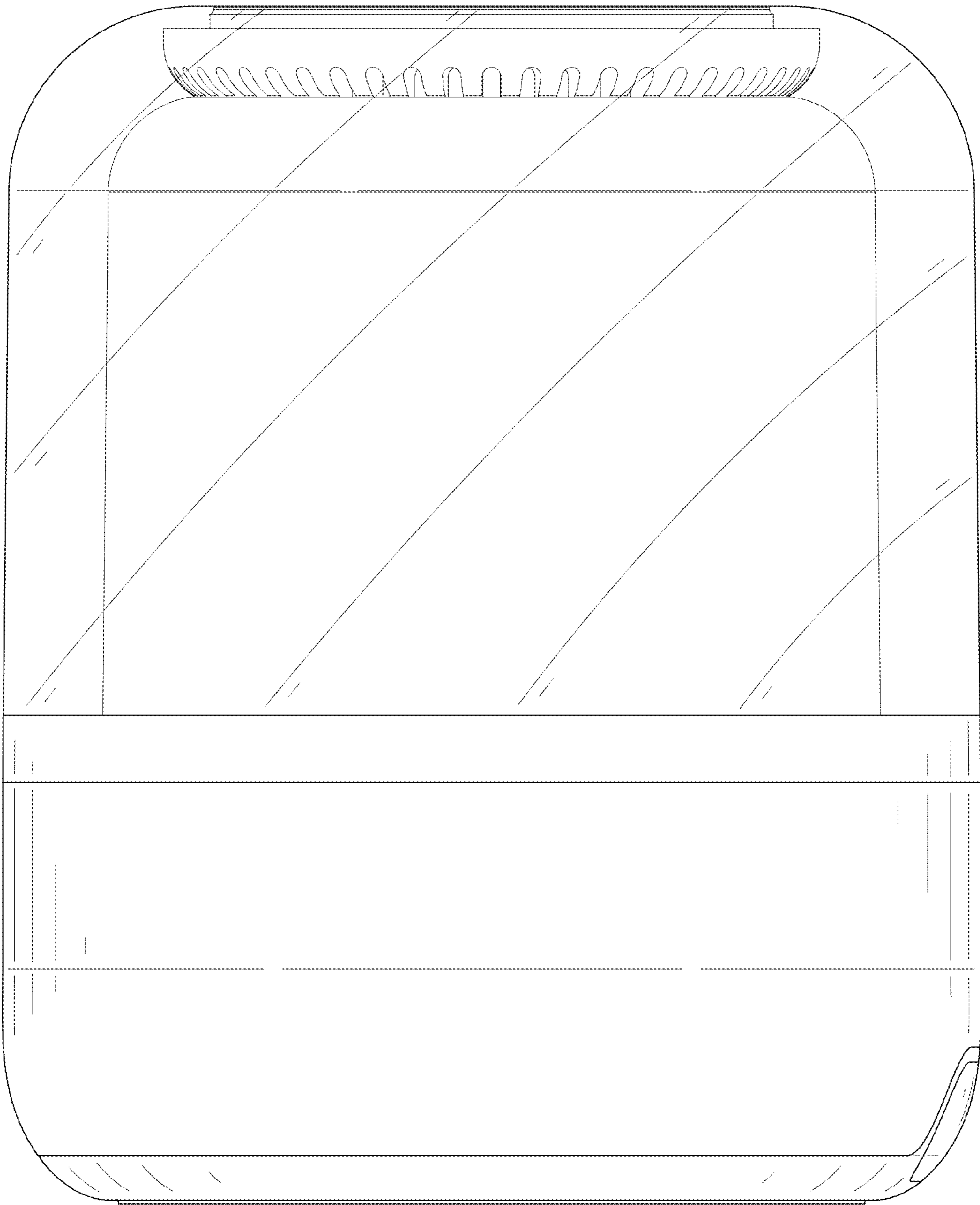


FIG. 6



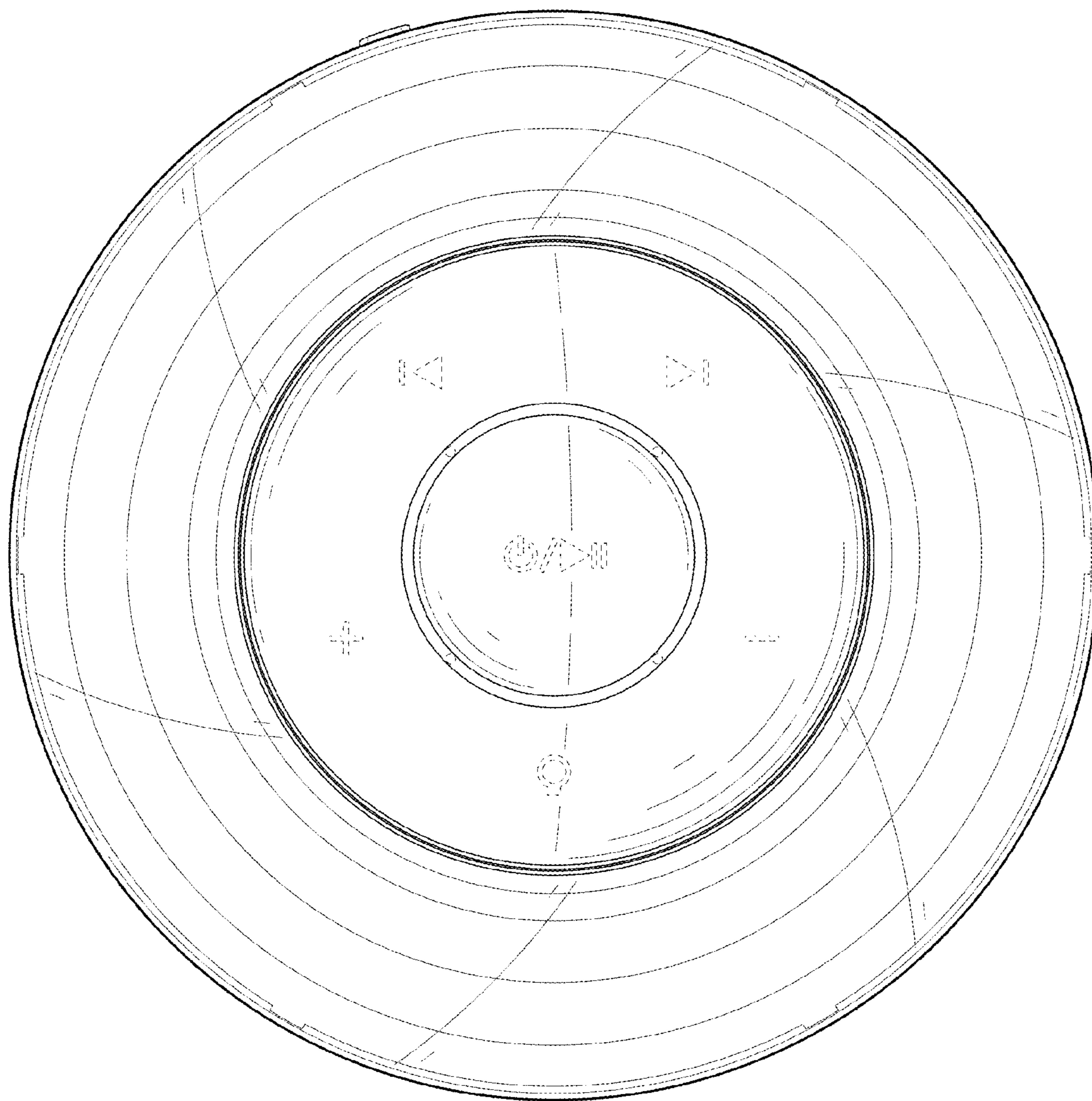


FIG. 7

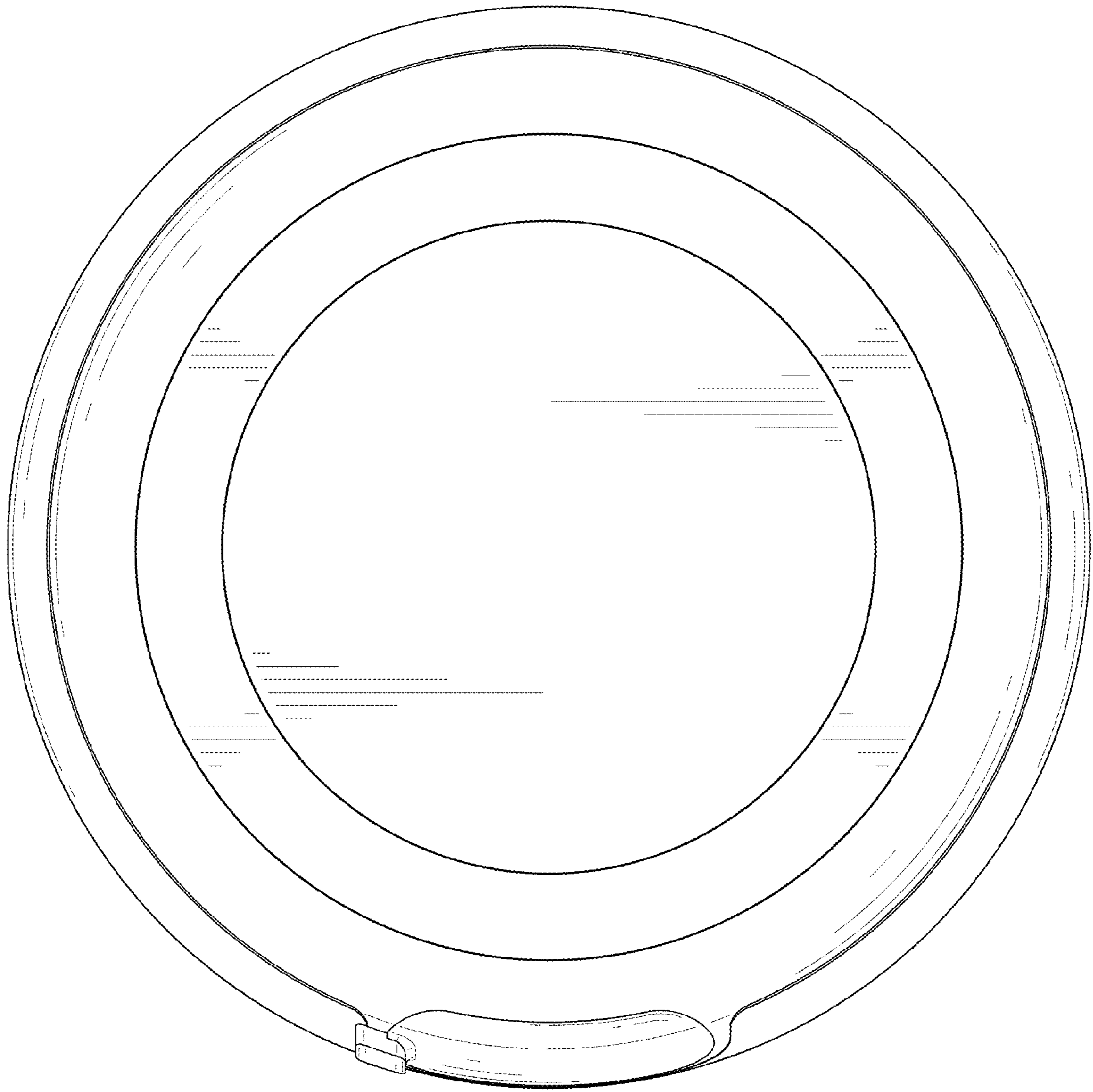


FIG. 8