



(12) **United States Design Patent** (10) **Patent No.:** **US D946,551 S**
Liu (45) **Date of Patent:** **** Mar. 22, 2022**

(54) **EARPHONE**
(71) Applicant: **Beijun Liu**, Guangdong (CN)
(72) Inventor: **Beijun Liu**, Guangdong (CN)
(73) Assignee: **ZhongTian DingSheng (Shenzhen) Industry Co., Ltd.**, Guangdong (CN)
(**) Term: **15 Years**
(21) Appl. No.: **29/740,082**
(22) Filed: **Jul. 1, 2020**
(51) **LOC (13) Cl.** **14-01**
(52) **U.S. Cl.**
USPC **D14/205**
(58) **Field of Classification Search**
USPC D14/205, 206, 188, 192; D29/112;
2/209; 15/244.1; 24/3.1; 381/380, 381,
381/375, 376, 374, 378; 455/90.3, 575.1,
455/569.1
CPC H04R 25/00; H04R 25/02; H04R 1/1066;
H04R 1/1016; H04R 5/033; H04R
5/0335; H04R 1/105; H04R 1/1091; A61F
11/14
See application file for complete search history.

5,185,807 A * 2/1993 Bergin H04R 1/1066
181/128
D403,128 S * 12/1998 Scanlon D29/122
6,295,366 B1 * 9/2001 Haller H04R 5/0335
379/430
6,449,806 B1 * 9/2002 Engelhard H04M 1/05
2/209
7,114,823 B2 * 10/2006 McCullough F21V 33/0056
362/105
D571,354 S * 6/2008 Ng D14/205
D592,639 S * 5/2009 Kuh D14/205
D600,674 S * 9/2009 Brennwald D14/205
D623,167 S * 9/2010 Hildebrandt D14/205
D628,554 S * 12/2010 Tedja D14/205
(Continued)

FOREIGN PATENT DOCUMENTS

EM 007481221-0002 * 1/2020
EM 008593883-0003 * 6/2021
(Continued)

Primary Examiner — Paula Allen Greene
(74) *Attorney, Agent, or Firm* — Justin Lampel

(57) **CLAIM**

The ornamental design for earphone, as shown and described.

(56) **References Cited**

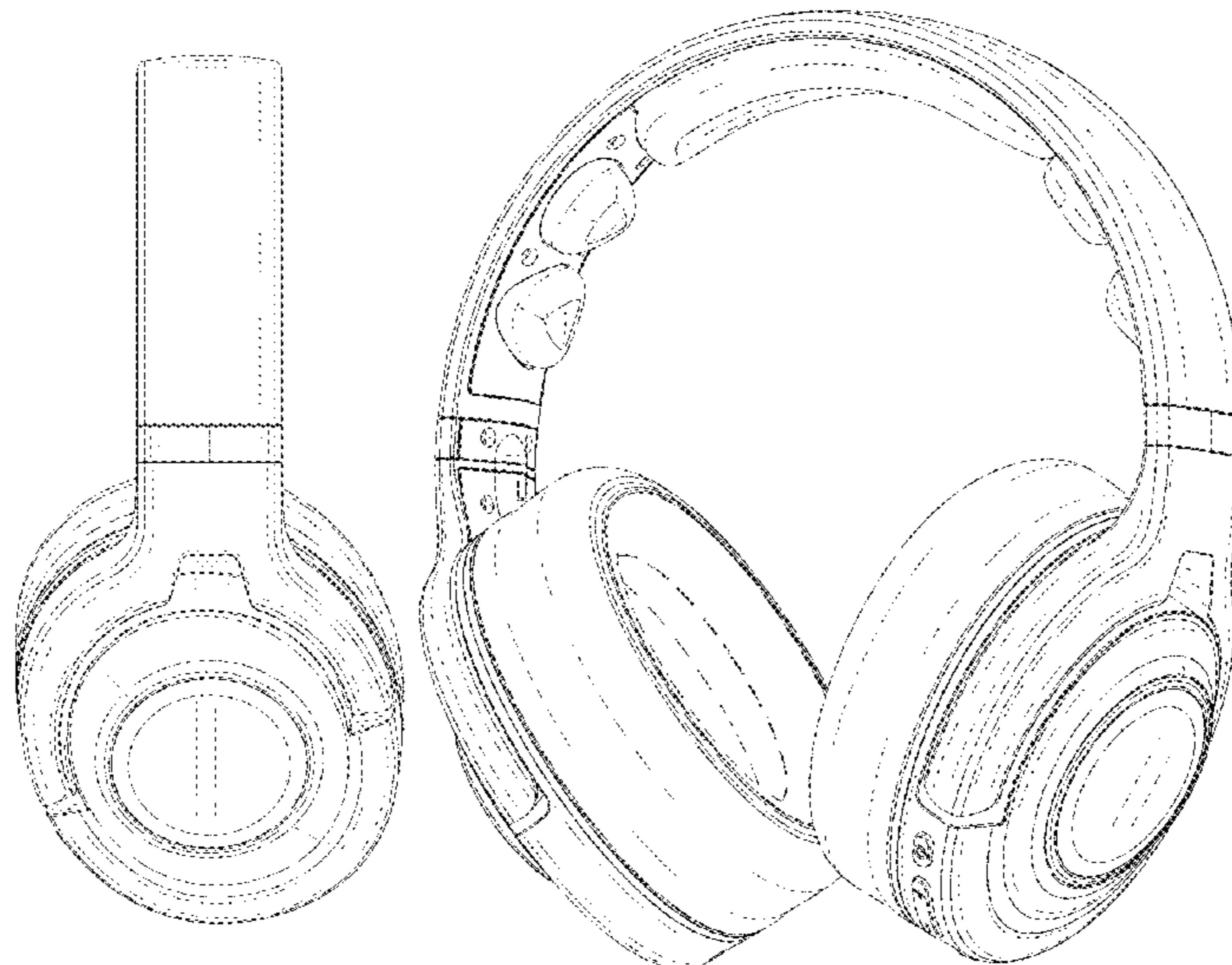
U.S. PATENT DOCUMENTS

3,104,398 A * 9/1963 Palmaer A61F 11/14
2/209
3,119,904 A * 1/1964 Anson H04M 1/05
381/378
D229,833 S * 1/1974 Becker D14/205
4,459,707 A * 7/1984 Stallings A61F 11/14
181/129
4,987,592 A * 1/1991 Flagg H04M 1/05
379/430
D322,071 S * 12/1991 Bergin D14/206
5,138,722 A * 8/1992 Urella A61F 11/14
2/209
D333,137 S * 2/1993 Burke D14/206

DESCRIPTION

FIG. 1 is a front elevational view of an earphone showing my new design;
FIG. 2 is a rear elevational view thereof;
FIG. 3 is a left side view thereof;
FIG. 4 is a right side view thereof;
FIG. 5 is a top plan view thereof.
FIG. 6 is a bottom plan view thereof; and,
FIG. 7 is a perspective view thereof.
The broken lines depict portions of the earphone that form no part of the claimed design.

1 Claim, 6 Drawing Sheets



(56)

References Cited

U.S. PATENT DOCUMENTS

D641,727 S * 7/2011 Krauss D14/206
 D664,118 S * 7/2012 Tappeiner D14/205
 D685,759 S * 7/2013 Kelly D14/205
 D689,464 S * 9/2013 Bonahoom D14/206
 8,559,665 B2 * 10/2013 Schmidt H04R 1/1066
 381/374
 8,767,996 B1 * 7/2014 Lin G06F 3/165
 381/380
 D741,286 S * 10/2015 Brennwald D14/205
 D746,790 S * 1/2016 Strasberg D14/205
 D765,055 S * 8/2016 Hsieh D14/205
 D778,258 S * 2/2017 Hsu D14/205
 D800,691 S * 10/2017 Ando D14/205
 D828,326 S * 9/2018 Ye D14/205
 D852,163 S * 6/2019 Nagamine D14/205
 D858,483 S * 9/2019 Hu D14/205
 D859,354 S * 9/2019 Xia D14/205
 D860,161 S * 9/2019 Xia D14/205
 D868,731 S * 12/2019 Jung D14/205
 D879,065 S * 3/2020 Chan D14/205
 D879,742 S * 3/2020 Hu D14/205
 D881,842 S * 4/2020 Hu D14/205
 D892,079 S * 8/2020 Wu D14/205
 D893,452 S * 8/2020 Yook D14/205

D899,402 S * 10/2020 Shen D14/206
 D901,436 S * 11/2020 Peng D14/205
 D904,339 S * 12/2020 Wang D14/205
 D908,663 S * 1/2021 Tamamura D14/205
 D909,987 S * 2/2021 He D14/205
 D910,592 S * 2/2021 Luo D14/205
 D915,348 S * 4/2021 He D14/206
 2004/0216946 A1 * 11/2004 Lenhard-Backhaus
 H04R 1/1066
 181/129
 2010/0310093 A1 * 12/2010 Semcken H04R 1/1058
 381/104
 2014/0056459 A1 * 2/2014 Oishi H04R 1/10
 381/370
 2016/0192064 A1 * 6/2016 Timothy H04R 1/1041
 381/74
 2019/0230429 A1 * 7/2019 Bozaglo H04R 5/0335

FOREIGN PATENT DOCUMENTS

EM 008641369-0001 * 8/2021
 EM 008643282-0006 * 8/2021
 EM 008731046-0001 * 10/2021
 EM 008749808-0001 * 11/2021
 GB 9007481221-0002 * 1/2020
 GB 9007884176-0002 * 5/2020

* cited by examiner



FIG.1



FIG.2

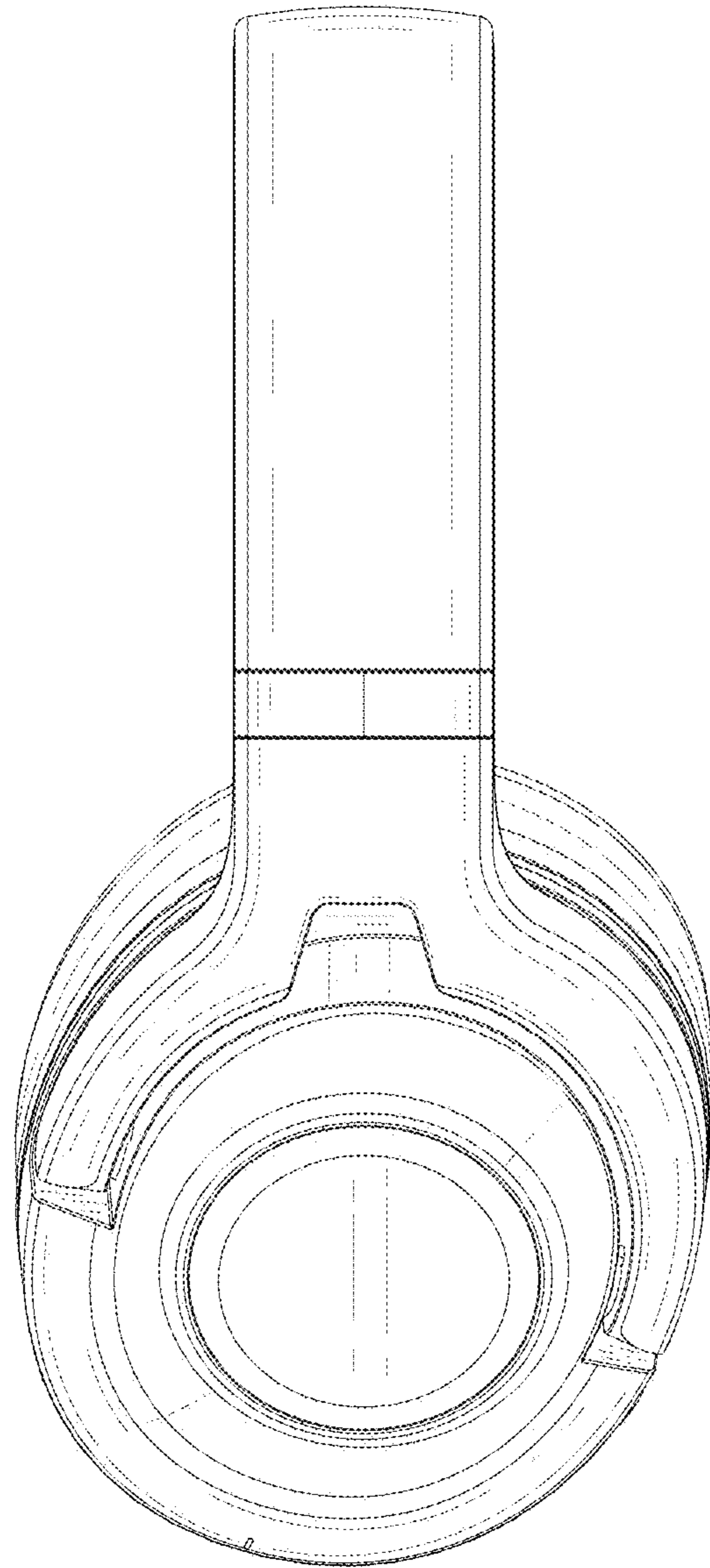


FIG.3

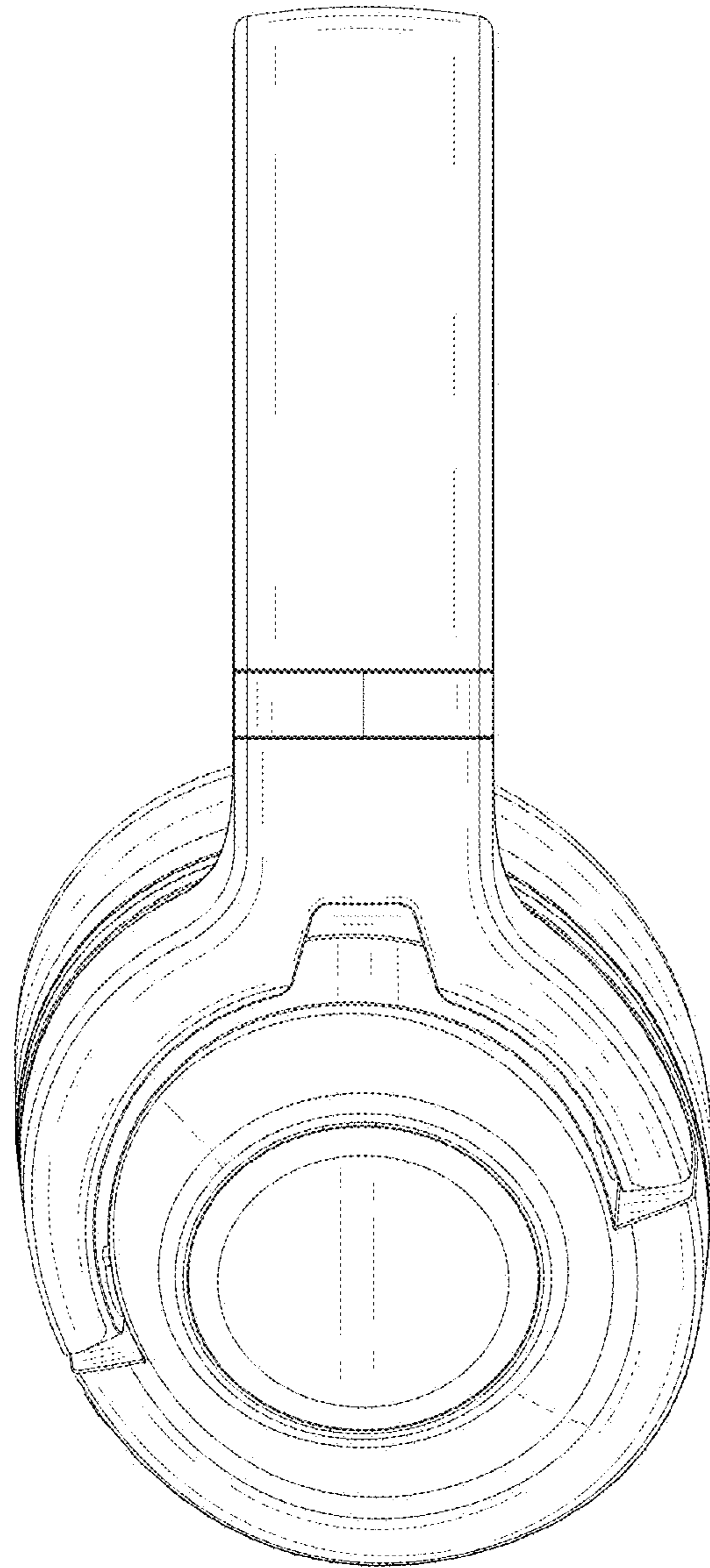


FIG. 4

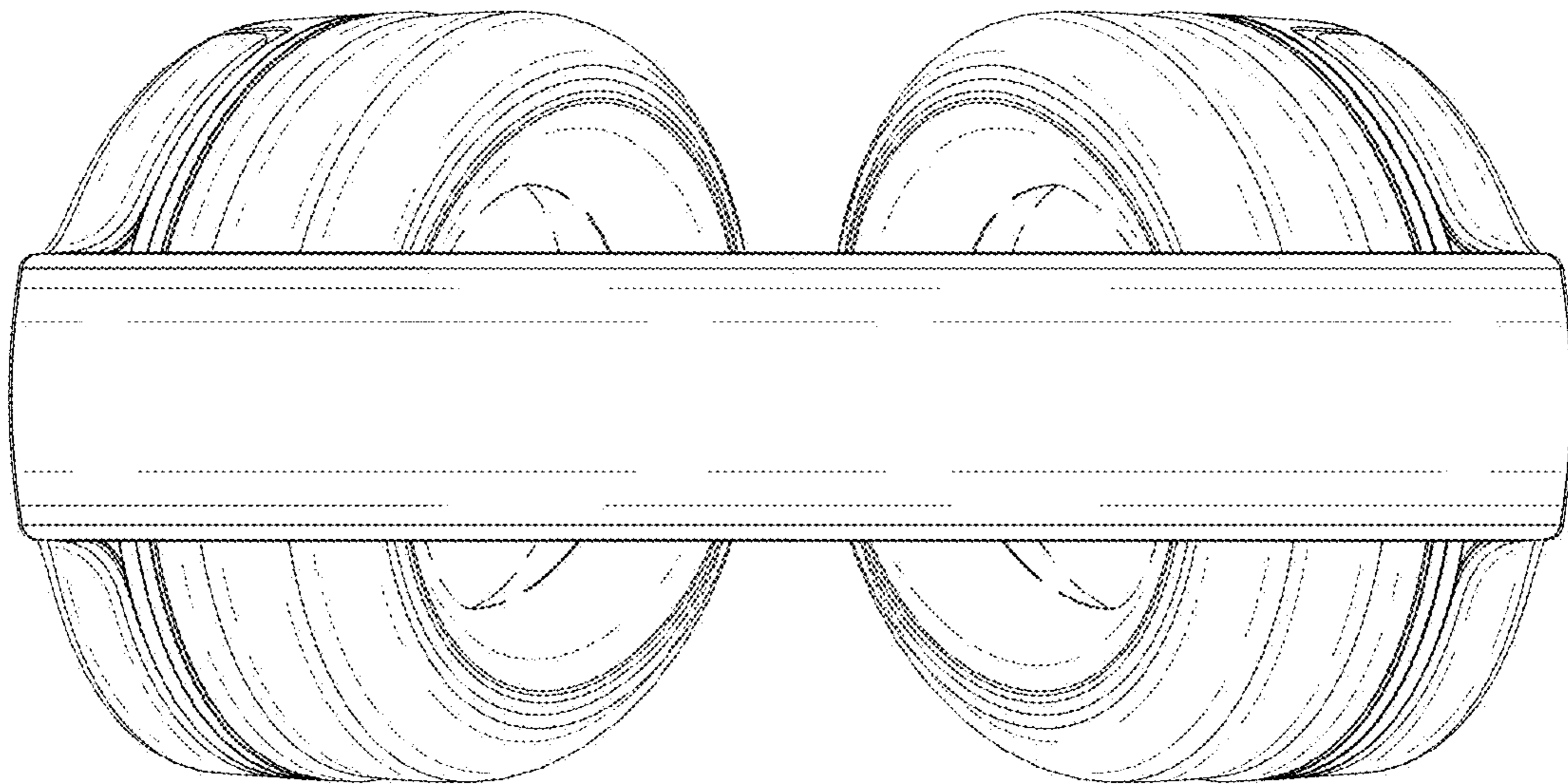


FIG. 5

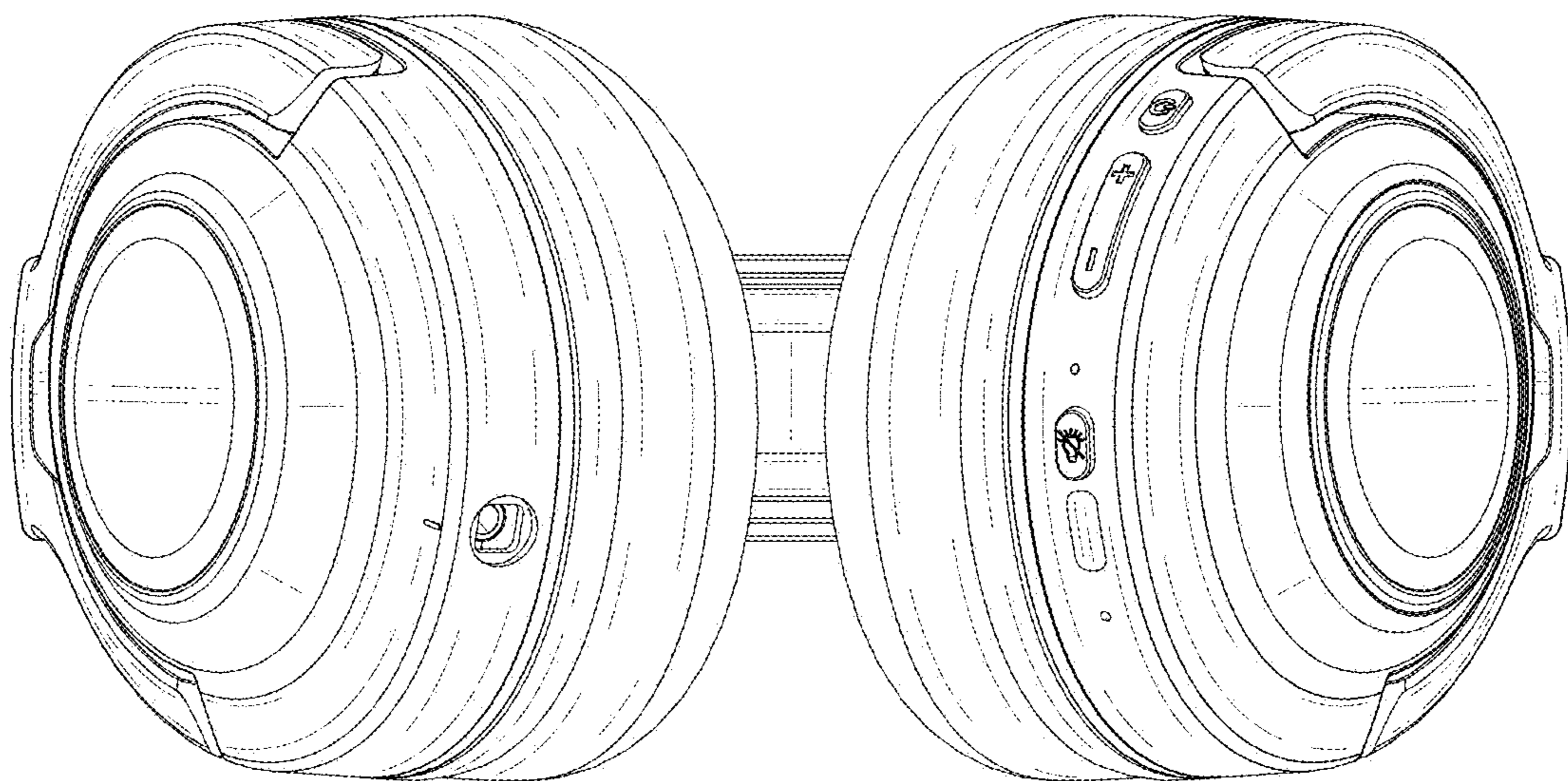


FIG. 6



FIG. 7