



US00D946550S

(12) **United States Design Patent**  
**Yuan**

(10) **Patent No.:** **US D946,550 S**  
(45) **Date of Patent:** **\*\* Mar. 22, 2022**

(54) **BLUETOOTH SPEAKER**

(71) Applicant: **Dongguan Lefang Industrial Co., Ltd.**, Guangdong (CN)

(72) Inventor: **Yun Yuan**, Hubei (CN)

(73) Assignee: **Dongguan Lefang Industrial Co., Ltd.**, Guangdong (CN)

(\*\*) Term: **15 Years**

(21) Appl. No.: **29/763,471**

(22) Filed: **Dec. 22, 2020**

(51) **LOC (13) Cl.** ..... **14-01**

(52) **U.S. Cl.**  
USPC ..... **D14/204**

(58) **Field of Classification Search**  
USPC ..... D14/170–172, 188, 203.1, 203.3, 204, D14/348  
CPC . H04R 1/02; H04R 1/023; H04R 5/02; H04R 7/00; H04R 7/02; H04R 9/06; H04R 2400/00  
See application file for complete search history.

(56) **References Cited**

**U.S. PATENT DOCUMENTS**

D740,258 S \* 10/2015 Yu ..... D14/216  
D755,160 S \* 5/2016 Ponce ..... D14/214  
D810,045 S 2/2018 Kim et al.  
D813,192 S \* 3/2018 Zeng ..... D14/204

D813,193 S 3/2018 Zeng  
D838,743 S \* 1/2019 Fo-Yam ..... D14/497  
D860,160 S \* 9/2019 Wolman ..... D14/204  
D865,713 S \* 11/2019 Roberts ..... D14/210

\* cited by examiner

*Primary Examiner* — Janice Patyk

(74) *Attorney, Agent, or Firm* — ScienBiziP, P.C.

(57) **CLAIM**

The ornamental design for a Bluetooth speaker, as shown and described.

**DESCRIPTION**

FIG. 1 is a front, right side, top perspective view of a Bluetooth speaker, showing my new design.

FIG. 2 is a rear, left side perspective view thereof.

FIG. 3 is a front elevation view thereof.

FIG. 4 is a rear elevation view thereof.

FIG. 5 is a right side elevation thereof.

FIG. 6 is a left side elevation thereof.

FIG. 7 is a top plan view thereof.

FIG. 8 is a bottom plan view thereof.

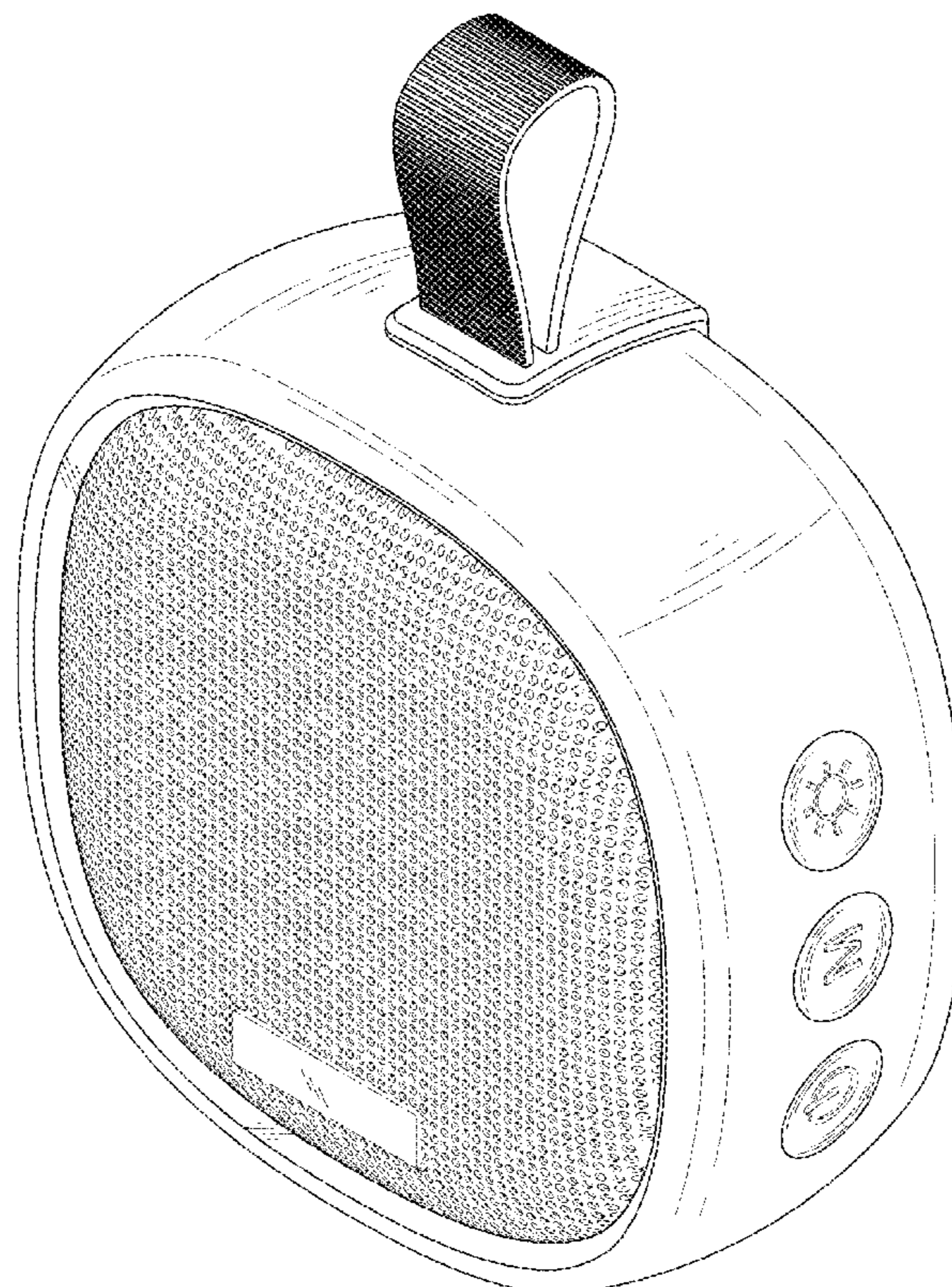
FIG. 9 is a partially enlarged view thereof, taken from FIG. 7; and,

FIG. 10 is a partially enlarged view thereof, taken from FIG. 8.

The dot-dash broken lines of FIGS. 7-10 are included to show partially enlarged views only and form no part of the claimed design.

The broken lines in the figures illustrate the portions of the Bluetooth speaker that form no part of the claimed design.

**1 Claim, 10 Drawing Sheets**



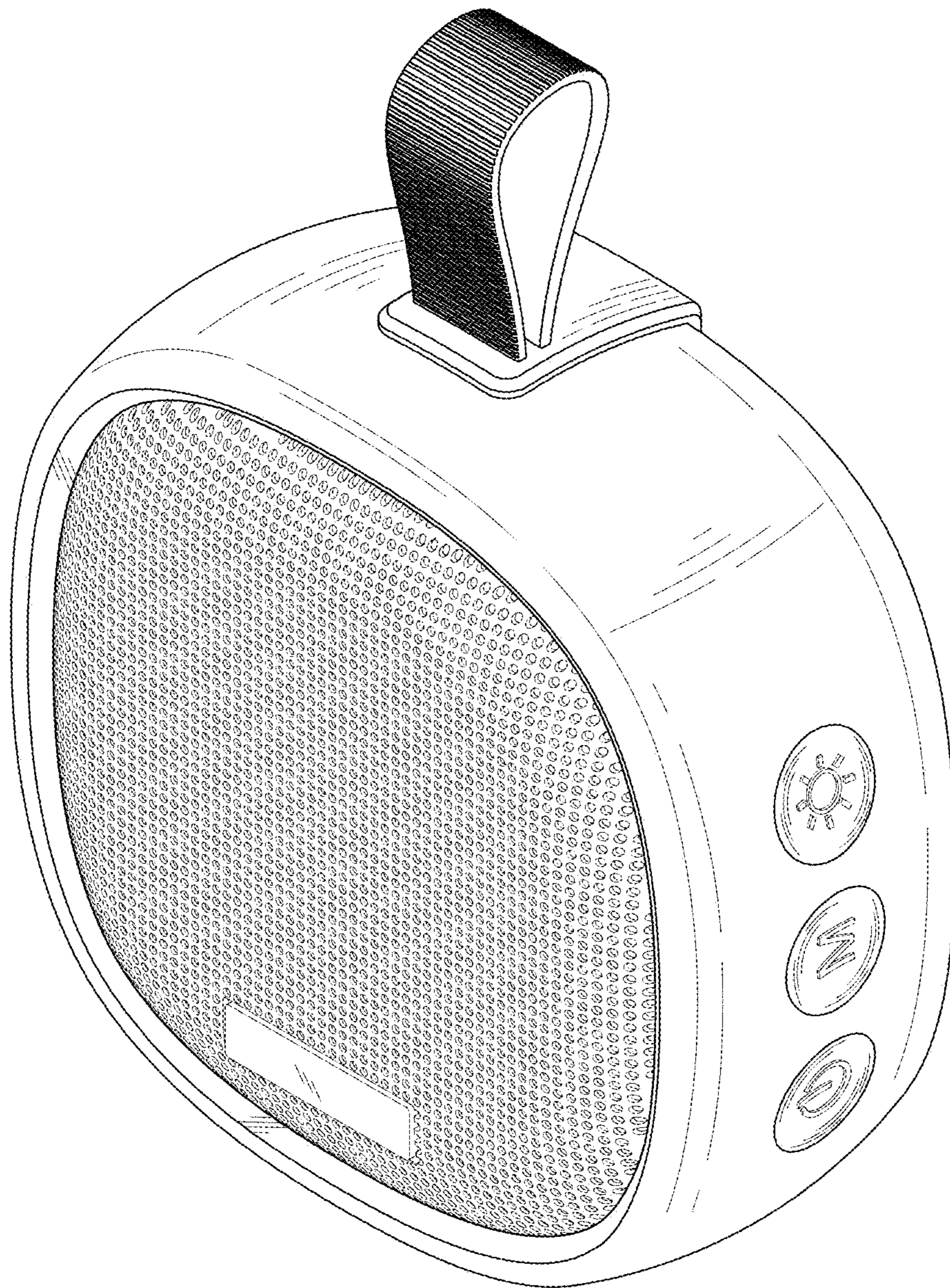


FIG. 1

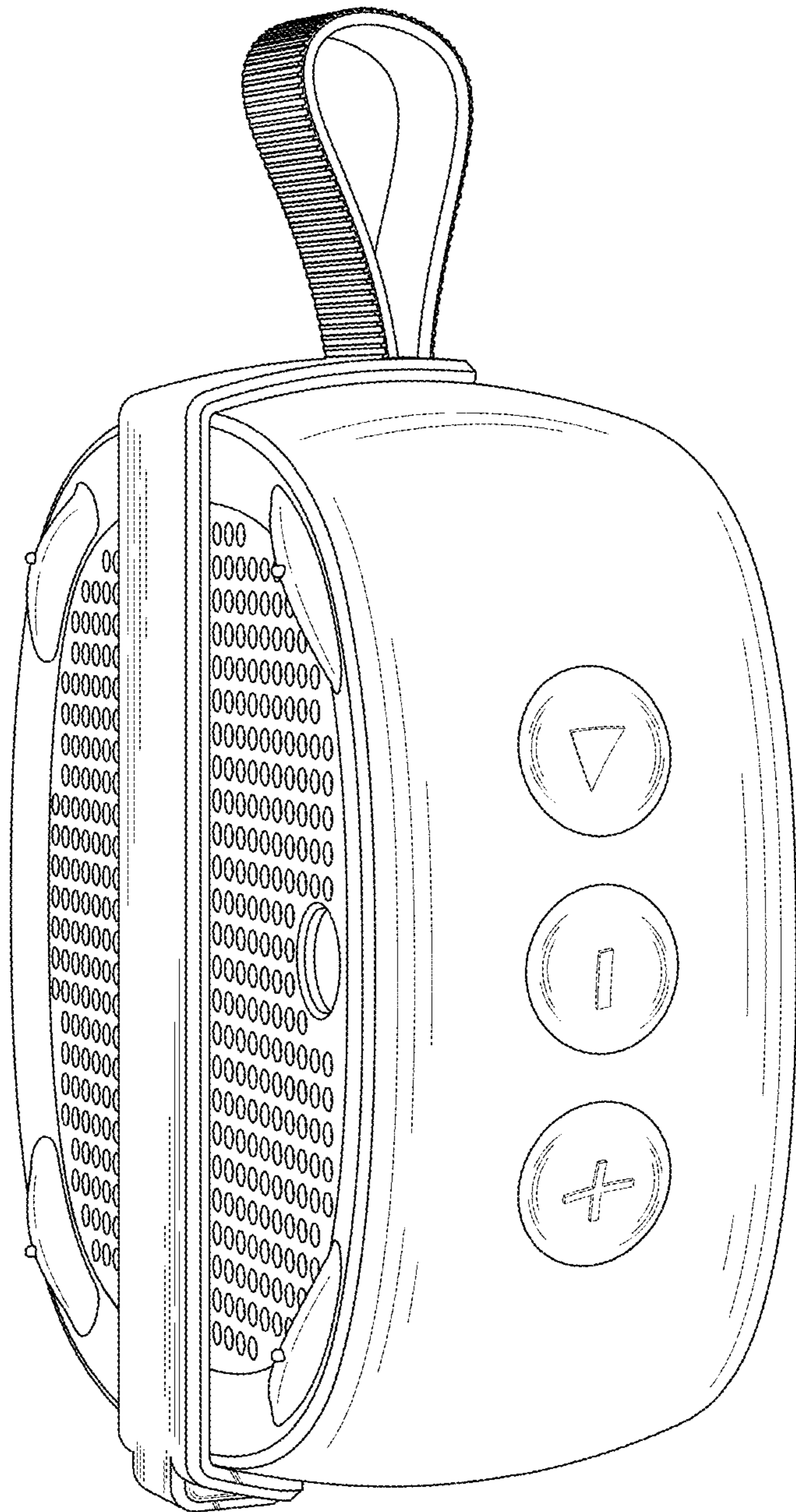


FIG.2

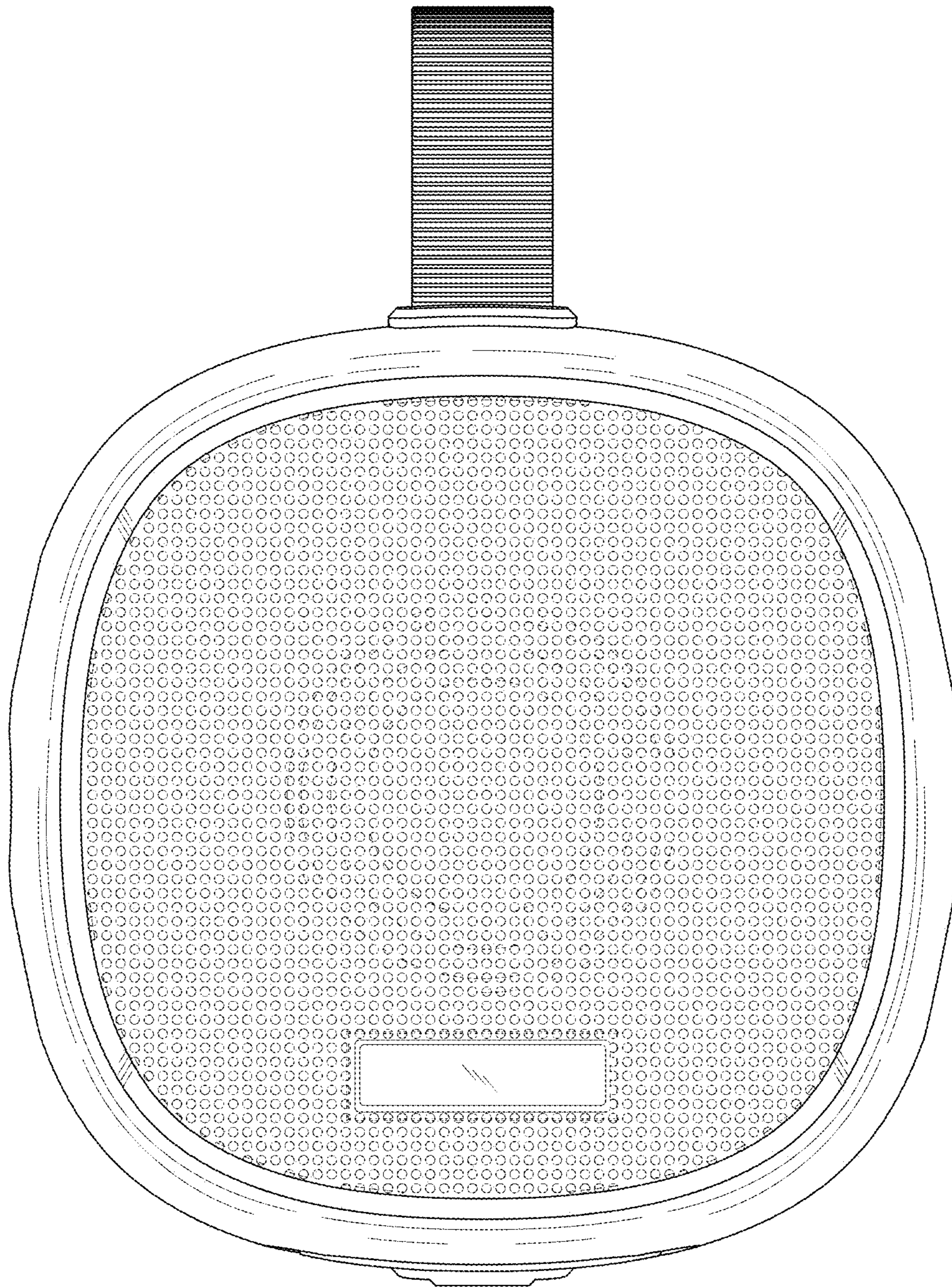


FIG.3

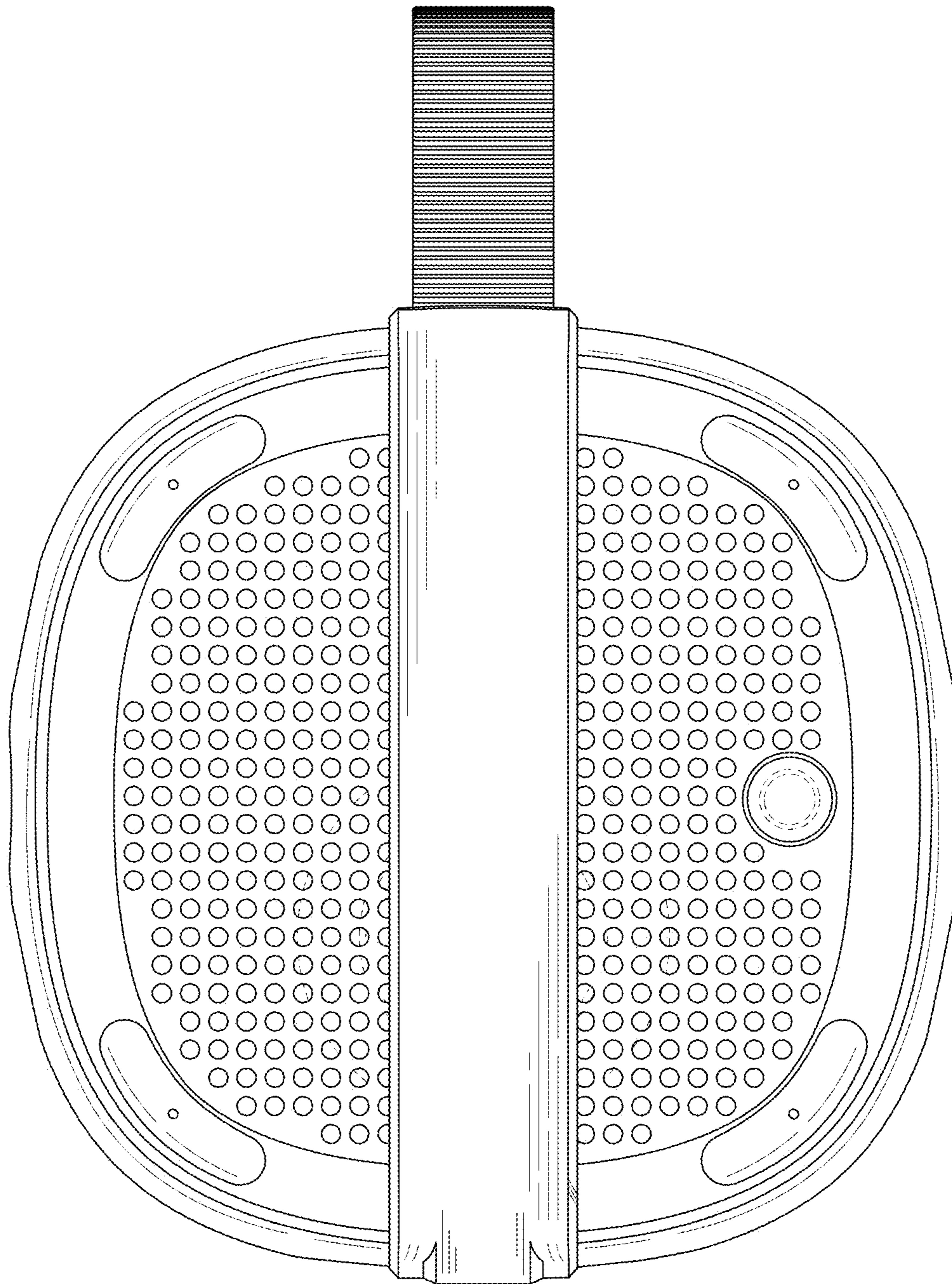


FIG.4

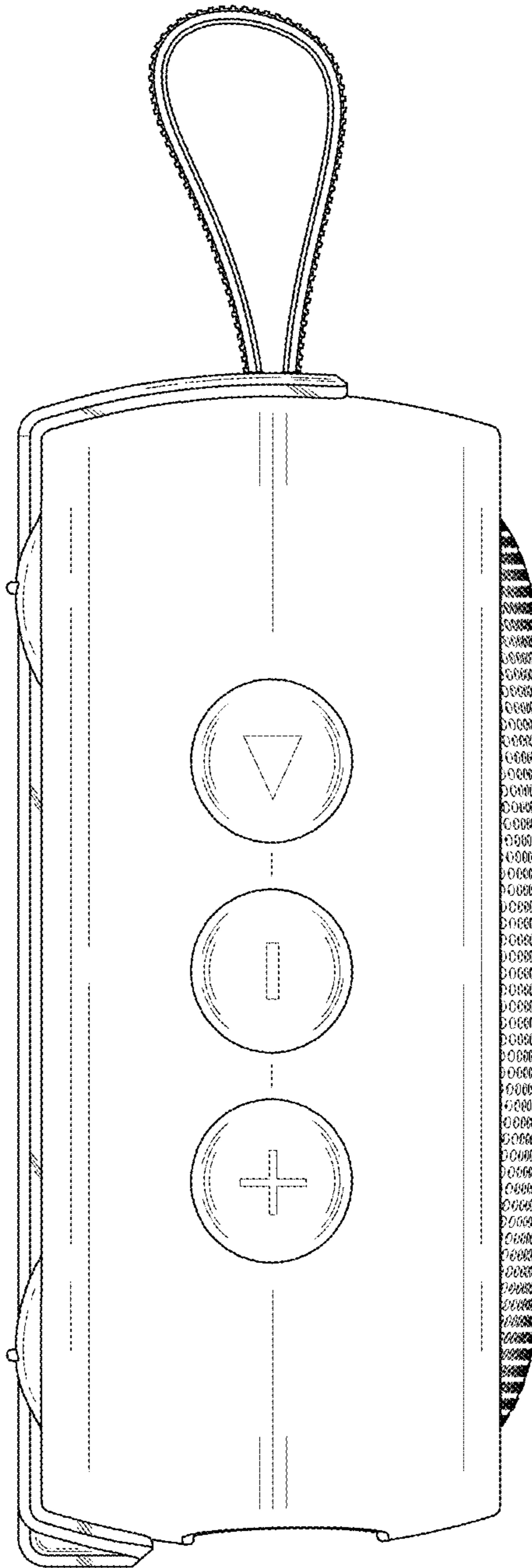


FIG. 5

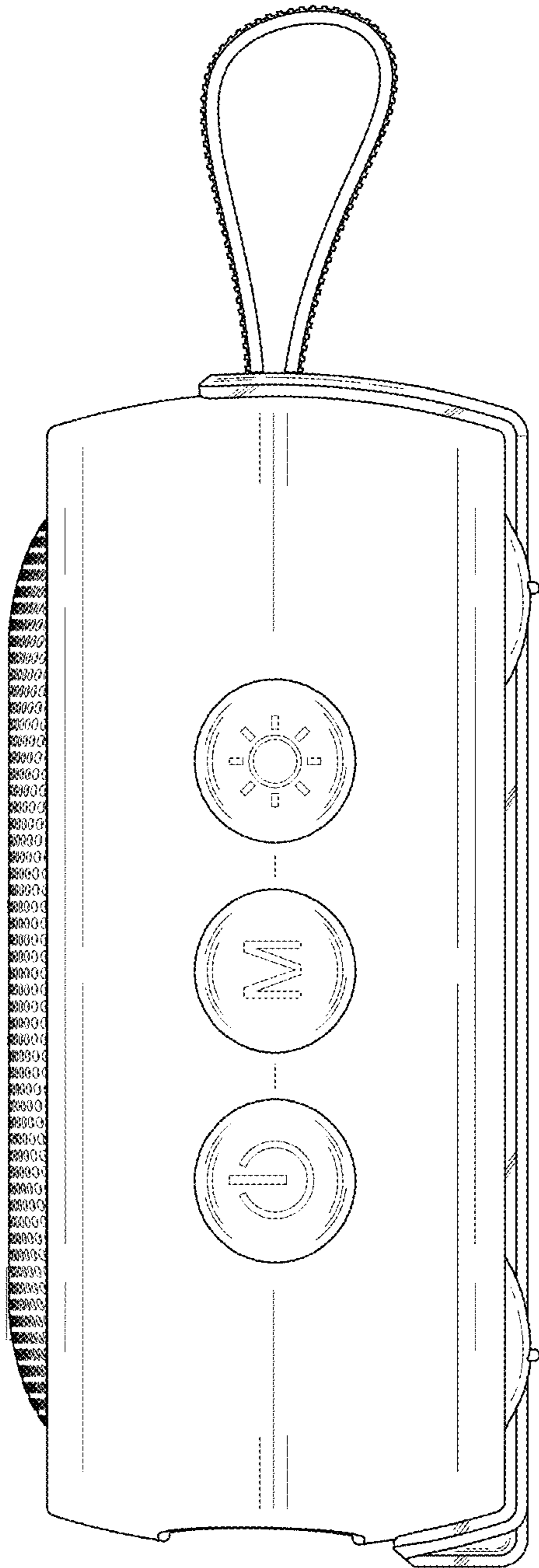


FIG.6

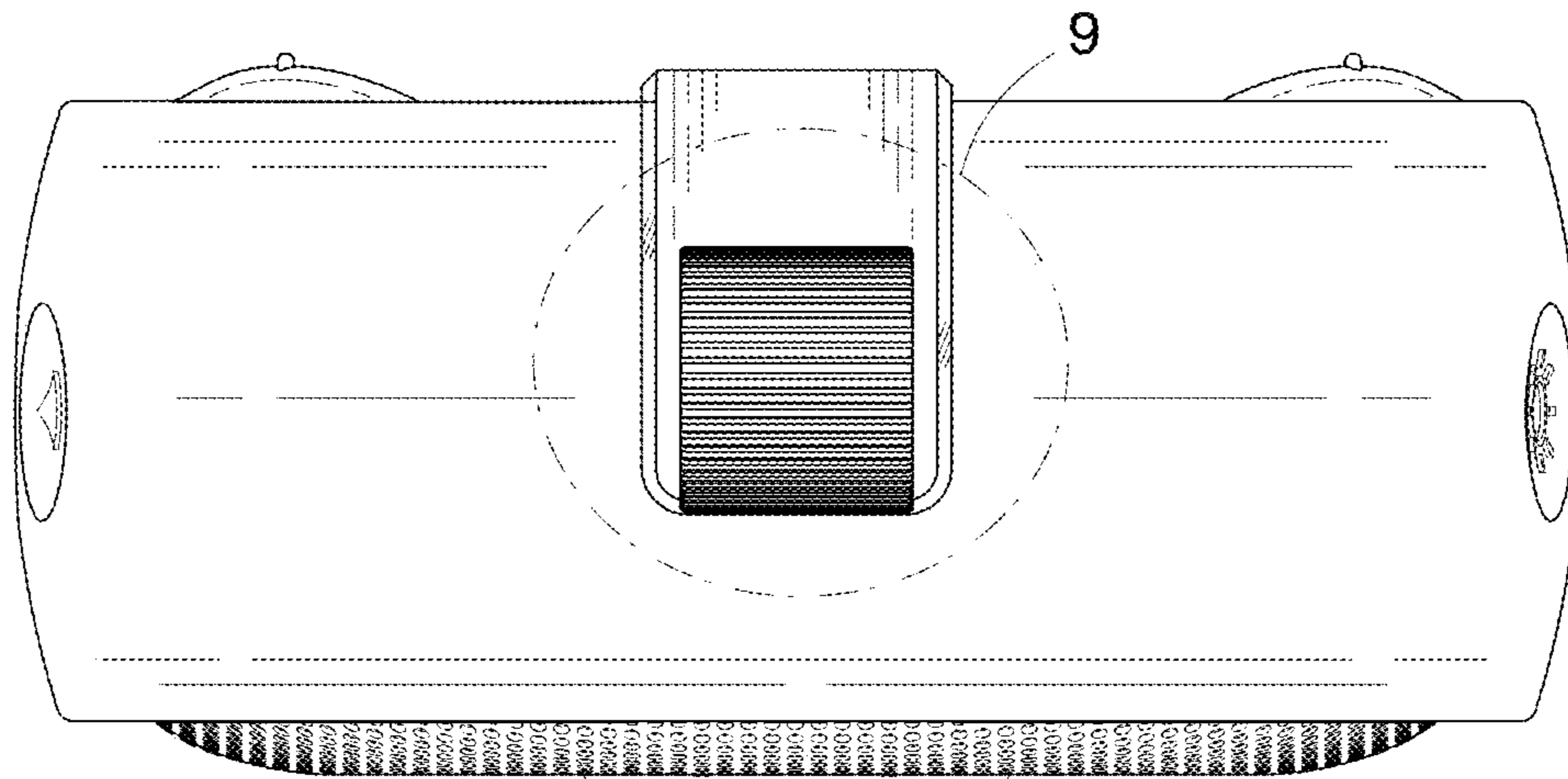


FIG.7



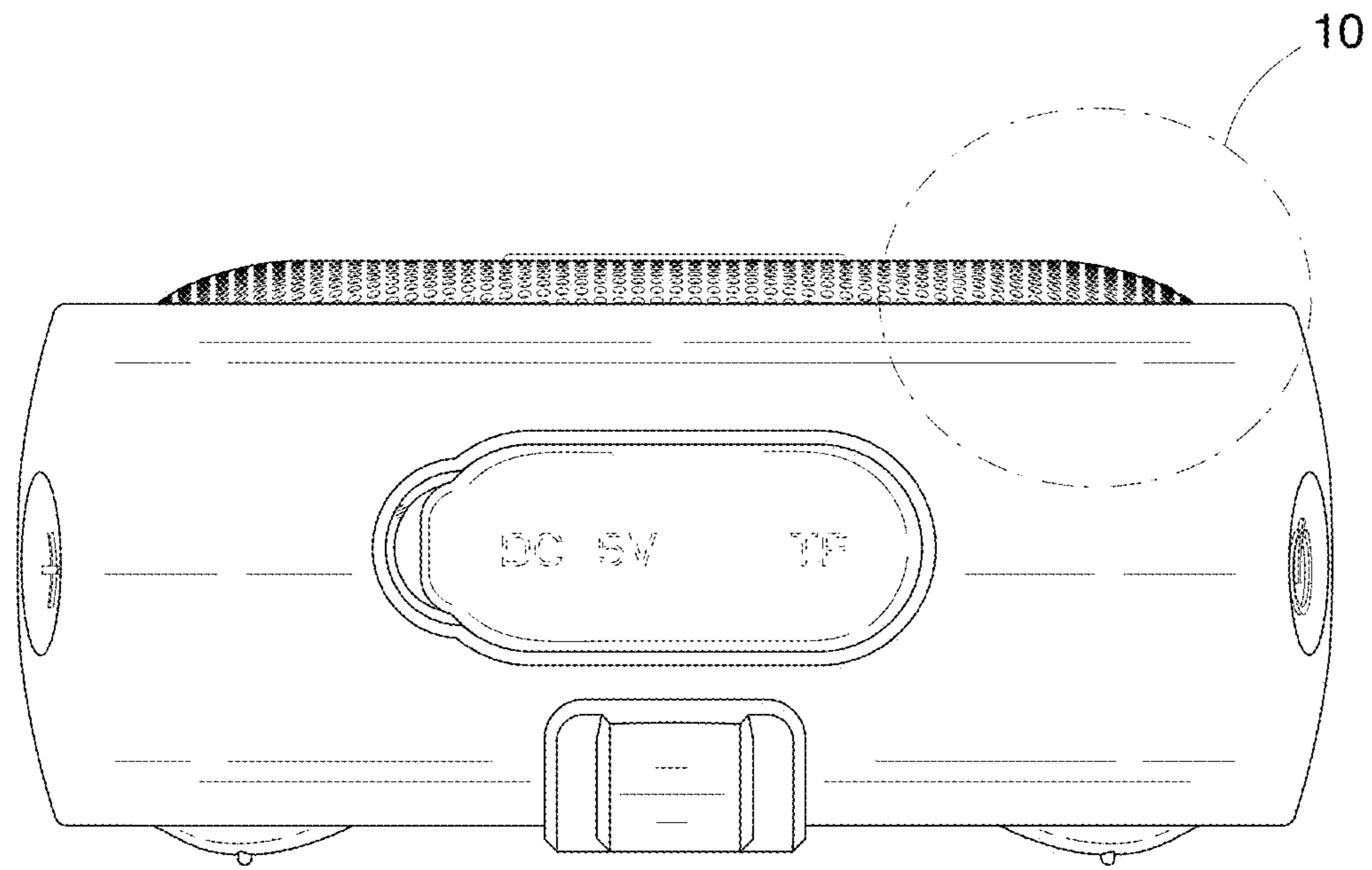


FIG.8

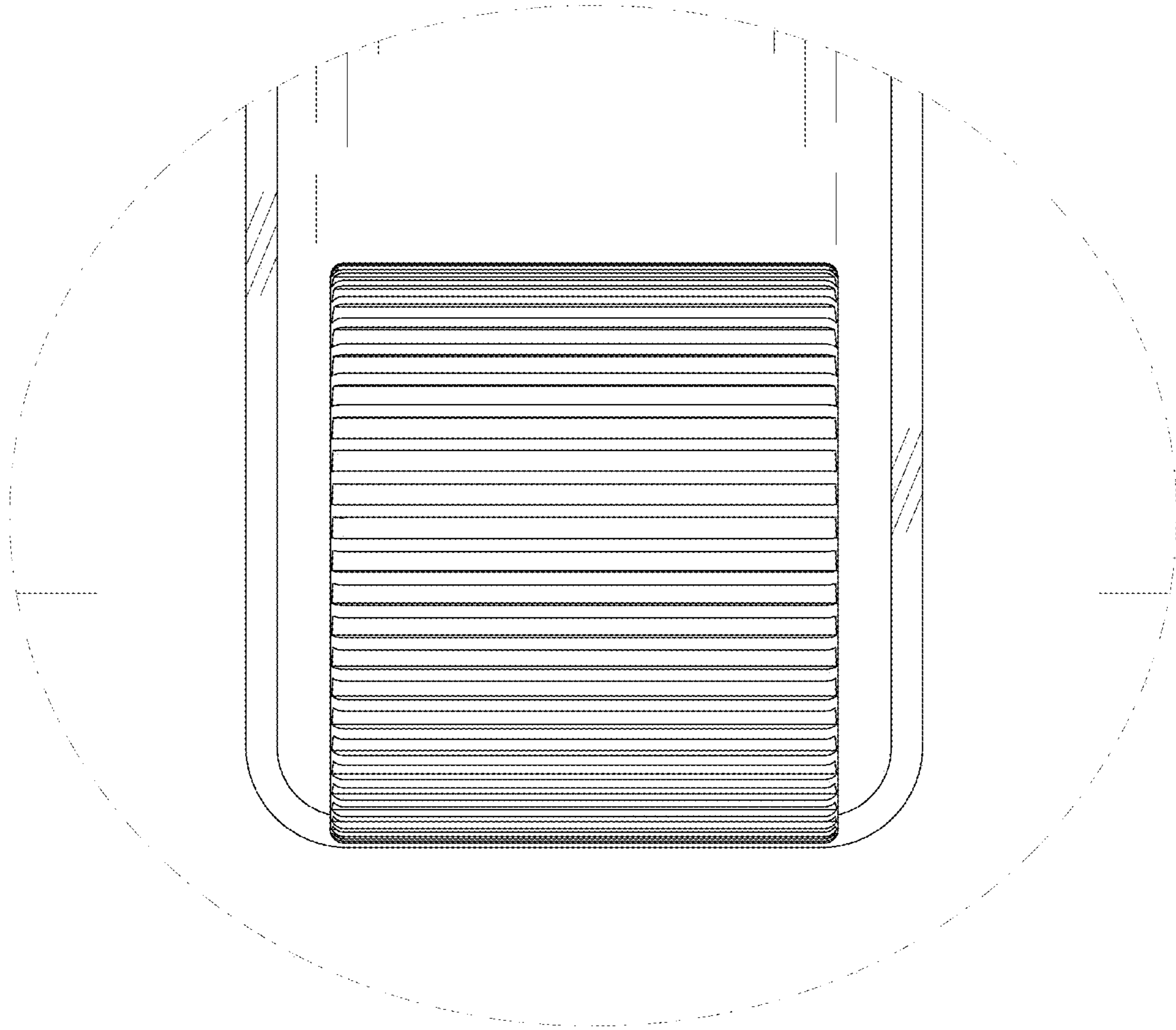


FIG.9

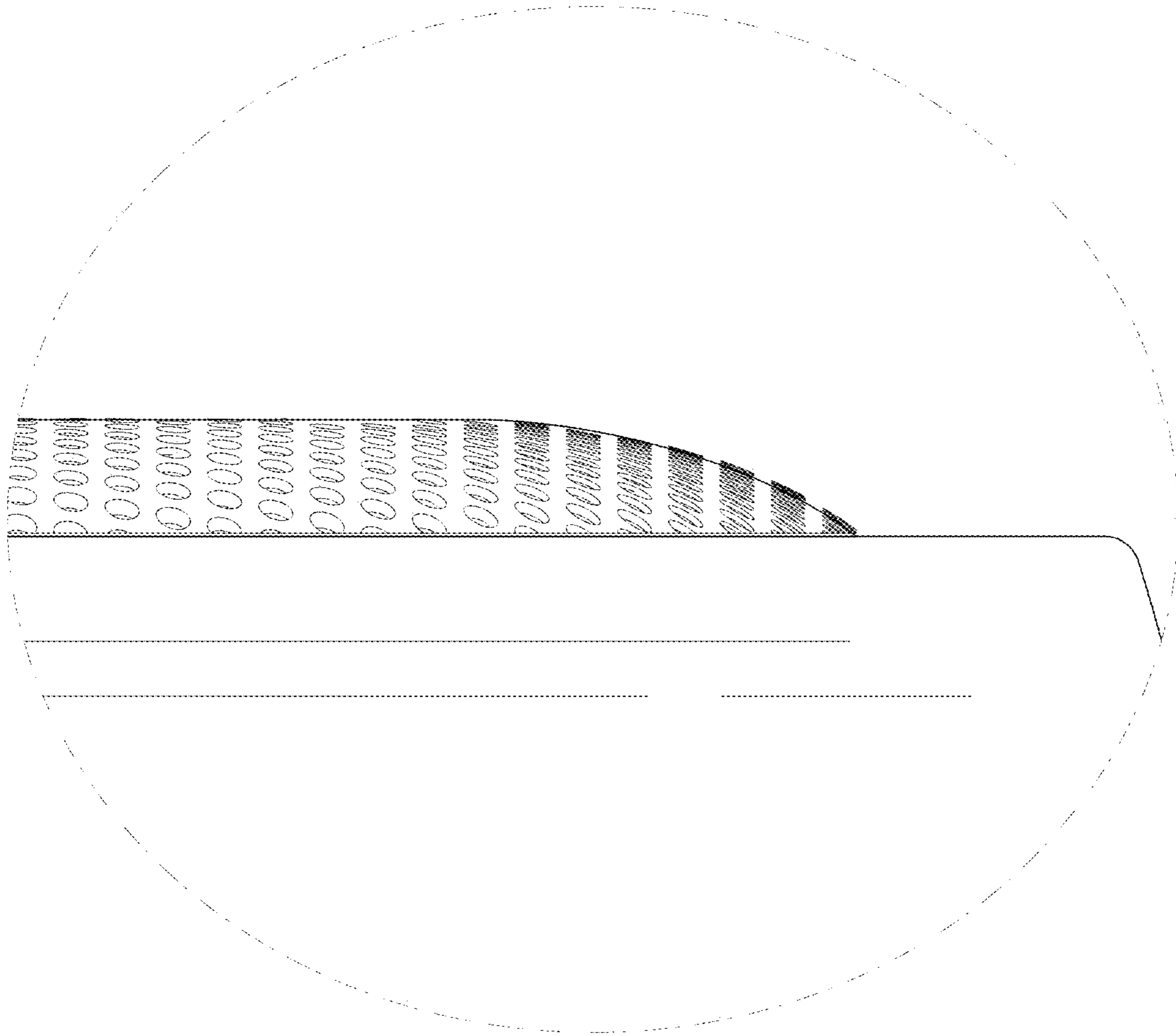


FIG. 10