

US00D946549S

(12) **United States Design Patent**
Wang

(10) **Patent No.:** **US D946,549 S**

(45) **Date of Patent:** **** Mar. 22, 2022**

- (54) **WIRELESS HEADBAND**
- (71) Applicant: **Qihong Wang**, Ningbo (CN)
- (72) Inventor: **Qihong Wang**, Ningbo (CN)
- (**) Term: **15 Years**
- (21) Appl. No.: **29/783,652**
- (22) Filed: **May 14, 2021**
- (51) **LOC (13) Cl.** **14-01**
- (52) **U.S. Cl.**
USPC **D14/192; D14/205**
- (58) **Field of Classification Search**
USPC D14/192, 205, 188, 372, 344; D16/301,
D16/306, 312, 339; D24/206, 190;
2/894, 866, 875, 171, 181, DIG. 11;
D21/483; D28/41; 132/53, 54; 381/381,
381/376, 333, 388; 455/90.3, 575.1,
455/569.1
CPC H04R 25/00; H04R 25/02; H04R 1/02;
H04R 1/1028; H04R 1/10; H04R 9/06;
H04R 1/105; H04R 5/02; H04R 1/1075;
H04R 5/033; H04R 5/0335; H04R 3/12;
A42B 1/245; A61F 13/00
See application file for complete search history.

(56) **References Cited**

U.S. PATENT DOCUMENTS

- 3,120,002 A * 2/1964 Blumenthal A61F 9/02
2/9
- 3,173,147 A * 3/1965 Gross A61F 9/02
2/452
- 3,378,851 A * 4/1968 McBrayer A61F 9/027
2/454
- 3,689,136 A * 9/1972 Atamian G02C 7/10
351/44
- 3,718,937 A * 3/1973 Smith A61F 9/025
2/436
- 4,024,405 A * 5/1977 Szot A61B 6/107
250/516.1

- 4,393,519 A * 7/1983 Nicastro A42C 5/02
2/12
- D272,865 S * 3/1984 Edelmann D16/309
- 4,515,448 A * 5/1985 Tackles G02C 7/10
351/41
- 4,520,510 A * 6/1985 Daigle A61F 9/029
2/12
- D282,020 S * 1/1986 Gwon D14/192
- D284,080 S * 6/1986 Swezey D14/192
- 4,616,367 A * 10/1986 Jean, Jr. A61F 9/025
2/452
- 4,621,378 A * 11/1986 Hatchman A61F 9/025
2/9
- 4,712,254 A * 12/1987 Daigle A41D 20/00
2/171
- 4,716,601 A * 1/1988 McNeal A61F 9/025
2/434

(Continued)

FOREIGN PATENT DOCUMENTS

EM 008468870-0001 * 3/2021

Primary Examiner — Paula Allen Greene

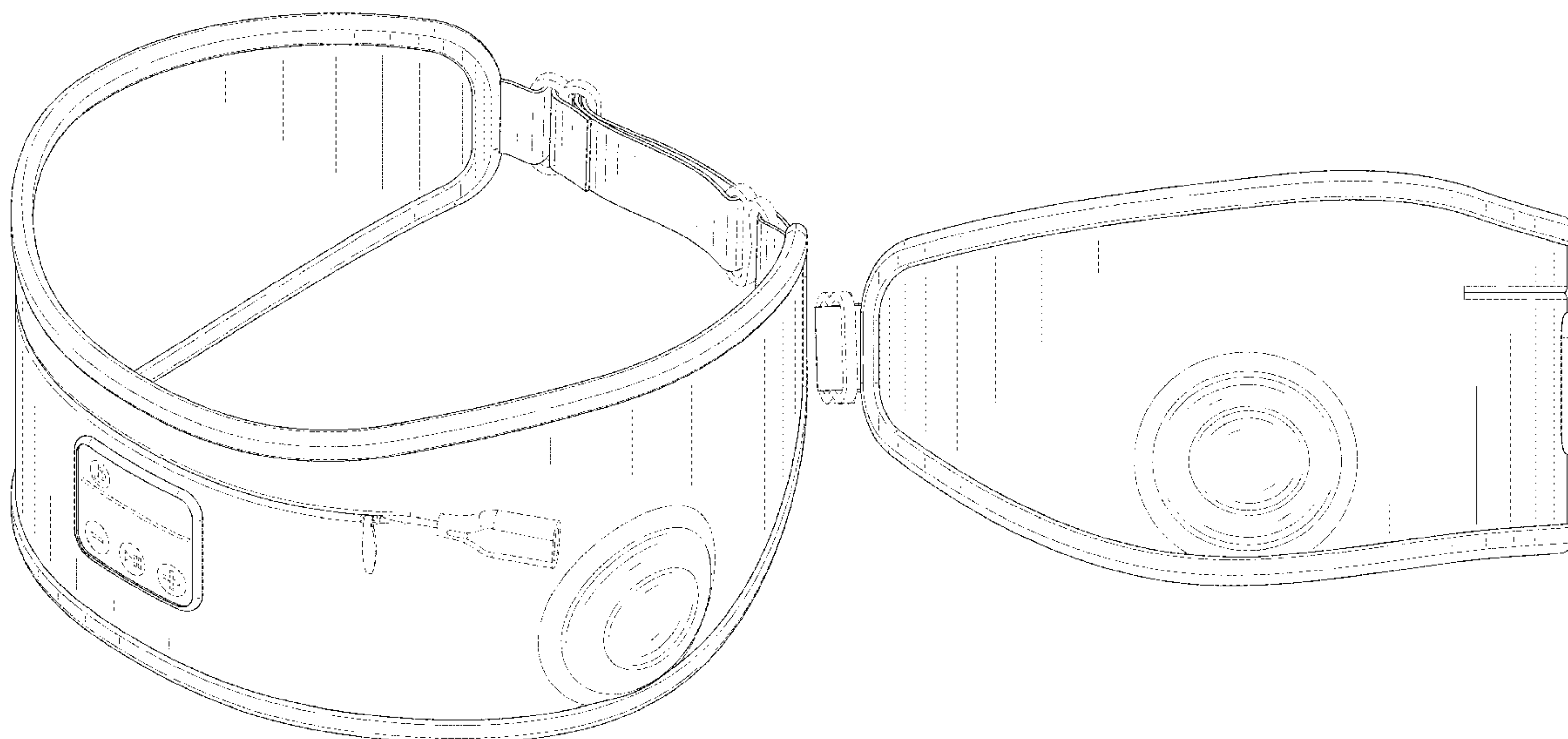
(57) **CLAIM**

The ornamental design for a wireless headband, as shown and described.

DESCRIPTION

FIG. 1 is a front and top perspective view of a wireless headband, showing my new design;
 FIG. 2 is a rear and bottom perspective view thereof;
 FIG. 3 is a front elevation view thereof;
 FIG. 4 is a rear elevation view thereof;
 FIG. 5 is a left side elevation view thereof;
 FIG. 6 is a right side elevation view thereof;
 FIG. 7 is a top plan view thereof; and,
 FIG. 8 is a bottom plan view thereof.
 The broken lines in the figures illustrate portions of the wireless headband that form no part of the claimed design.

1 Claim, 8 Drawing Sheets



(56)

References Cited

U.S. PATENT DOCUMENTS

D294,833 S * 3/1988 Holden D16/314
 4,790,031 A * 12/1988 Duerer A61F 9/02
 128/858
 4,852,189 A * 8/1989 Duggan A41D 20/00
 2/452
 4,879,770 A * 11/1989 Vacilotto G02C 1/06
 2/441
 4,901,374 A * 2/1990 Van der Woude A61F 9/025
 2/431
 D310,907 S * 10/1990 Mark D14/192
 D322,616 S * 12/1991 Wiedner D16/314
 5,182,586 A * 1/1993 Bennato G02C 1/04
 351/128
 D343,282 S * 1/1994 Irish D2/875
 5,379,463 A * 1/1995 Schleger A61F 9/029
 2/431
 5,425,380 A * 6/1995 Hudson A61F 9/026
 128/858
 5,511,251 A * 4/1996 Brakas A61F 9/027
 2/450
 5,617,589 A * 4/1997 Lacore A41D 20/00
 2/452
 5,631,717 A * 5/1997 Spector A61F 9/02
 2/433
 5,636,388 A * 6/1997 Hodges A42B 3/185
 2/443
 D384,790 S * 10/1997 Juergens D14/192
 6,227,011 B1 * 5/2001 Cortinovis A41D 20/00
 2/171
 6,511,177 B1 * 1/2003 Hall A61F 9/025
 351/119
 6,571,799 B1 * 6/2003 Daly A61F 9/04
 128/857
 7,000,587 B1 * 2/2006 Hawkins F02D 41/021
 123/320
 7,020,901 B2 * 4/2006 Brhel A61F 11/14
 2/209
 D544,103 S * 6/2007 Meziere D24/216

D592,236 S * 5/2009 McGrath A61F 9/04
 D16/301
 8,111,859 B2 * 2/2012 Phillips H04R 5/0335
 381/376
 8,213,670 B2 * 7/2012 Lai H04R 5/0335
 381/388
 D668,703 S * 10/2012 Gordon D16/301
 D669,633 S * 10/2012 Hedgren D28/41
 8,605,935 B1 * 12/2013 Huang G02C 11/10
 381/381
 8,636,066 B2 * 1/2014 Gupta C04B 26/28
 166/281
 D718,369 S * 11/2014 Janavicius D16/312
 8,959,668 B1 * 2/2015 Ganes A42B 3/205
 2/421
 9,168,176 B2 * 10/2015 Peebles A61F 9/029
 D837,870 S * 1/2019 Warnock A61F 9/04
 D16/312
 D861,060 S * 9/2019 Zheng A61F 9/04
 D16/301
 10,426,666 B1 * 10/2019 Seidenfeld A61M 21/00
 D867,436 S * 11/2019 Lian D16/301
 D867,437 S * 11/2019 Lian D16/301
 D870,062 S * 12/2019 Peng D14/192
 D887,484 S * 6/2020 Guo A61F 9/04
 D16/301
 D906,405 S * 12/2020 Seidenfeld D16/301
 D907,688 S * 1/2021 Du D16/301
 D907,849 S 1/2021 Welch
 D913,984 S * 3/2021 Li D14/192
 D918,991 S * 5/2021 Du D16/301
 D932,459 S * 10/2021 Liu D14/192
 D938,381 S * 12/2021 Li D14/192
 2012/0272484 A1 * 11/2012 Willborn A61F 11/14
 24/3.11
 2012/0324638 A1 * 12/2012 Tobia A61F 9/025
 2/439
 2017/0238078 A1 * 8/2017 Kimble H04R 1/1008
 381/74
 2019/0132663 A1 * 5/2019 Lu H04R 1/1008

* cited by examiner

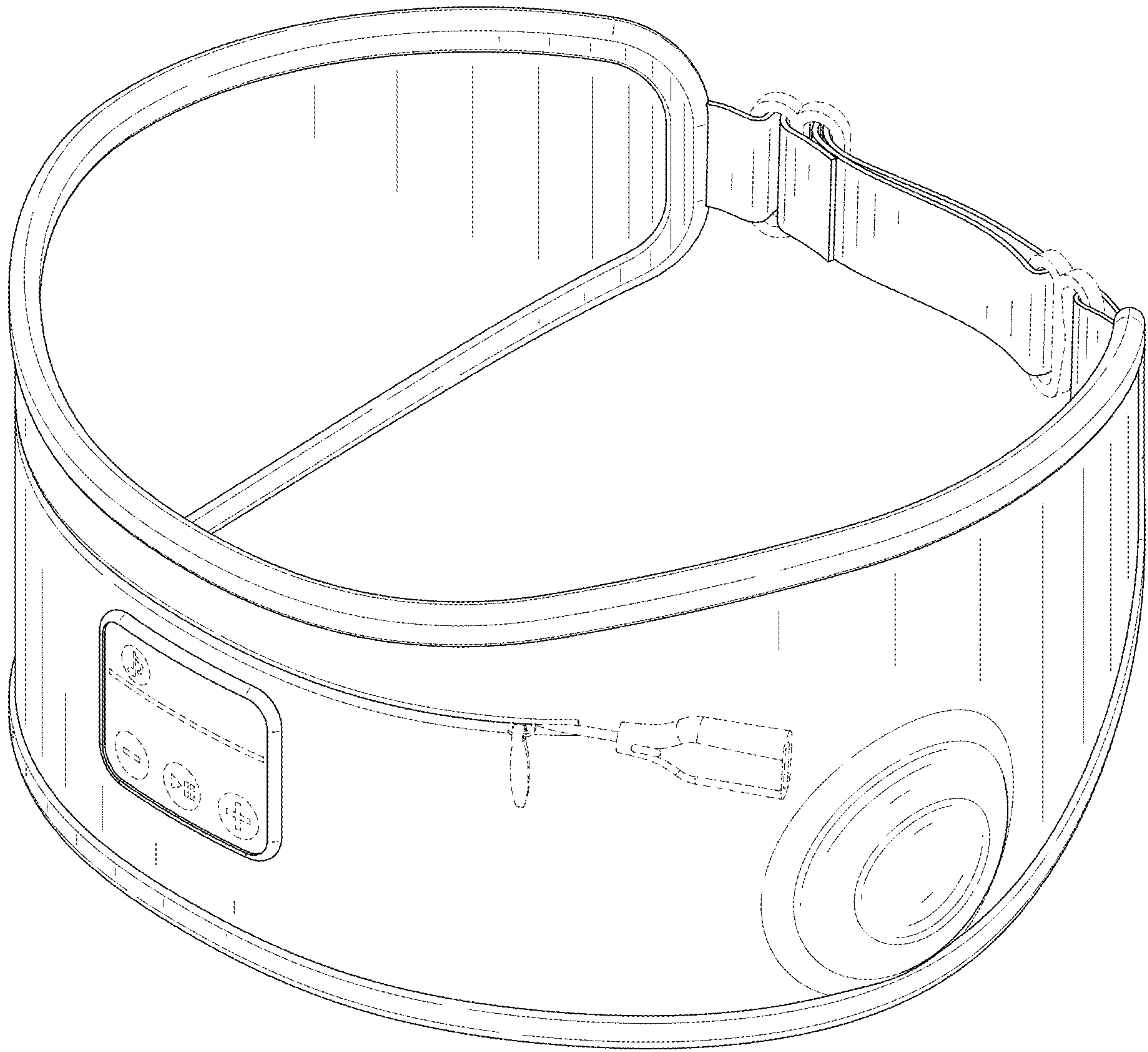


FIG. 1

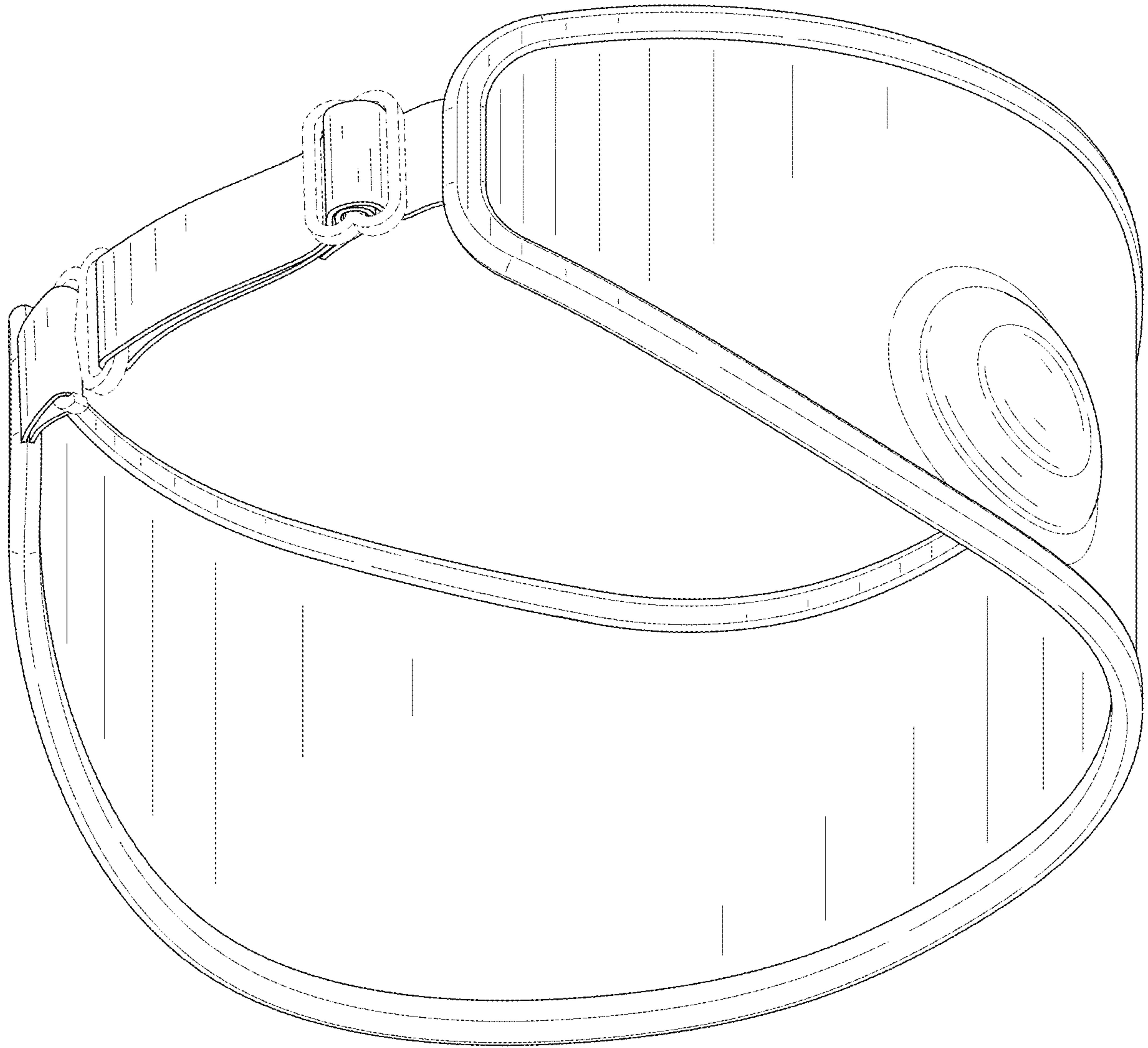


FIG. 2

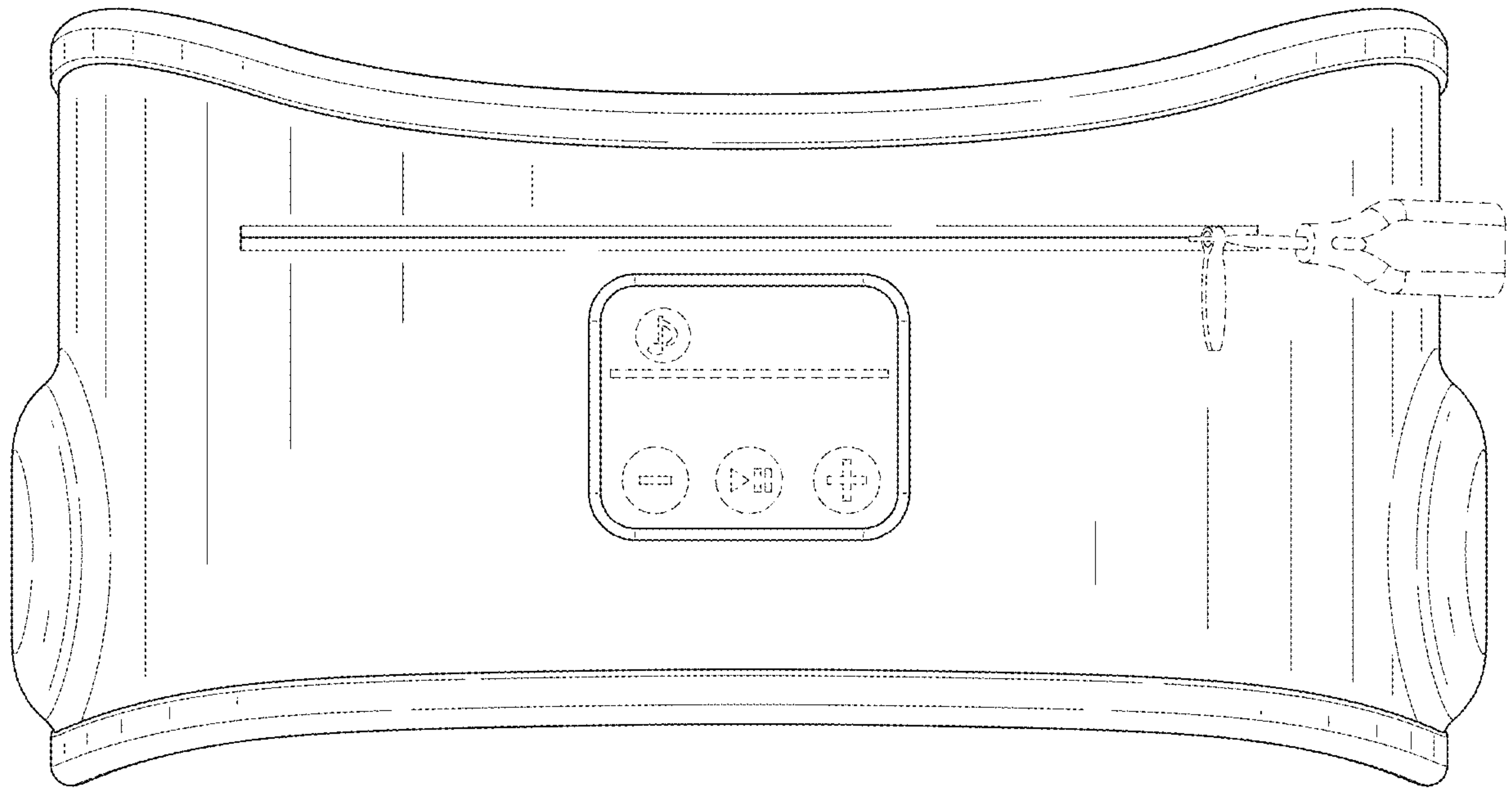


FIG. 3

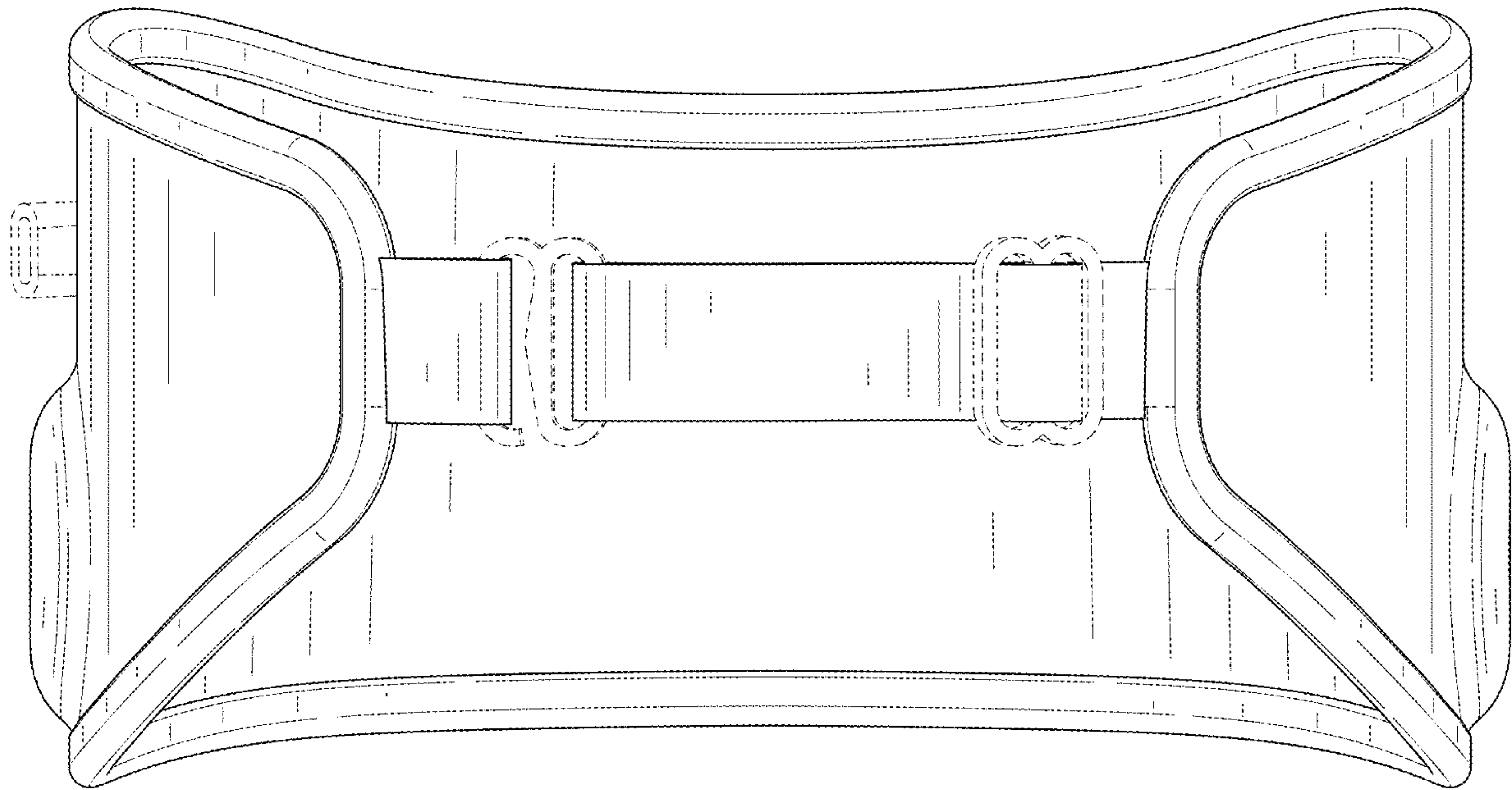


FIG. 4

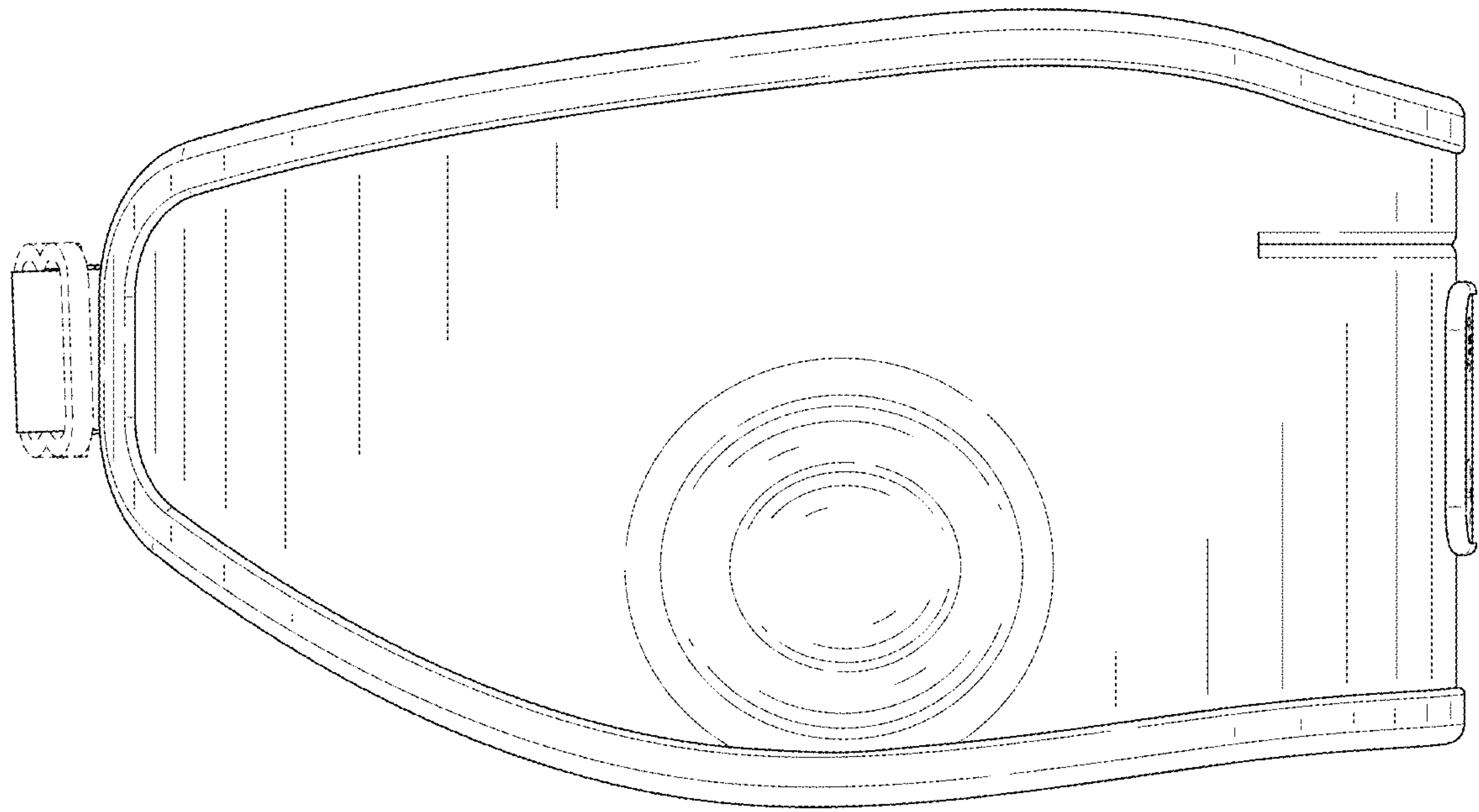


FIG. 5

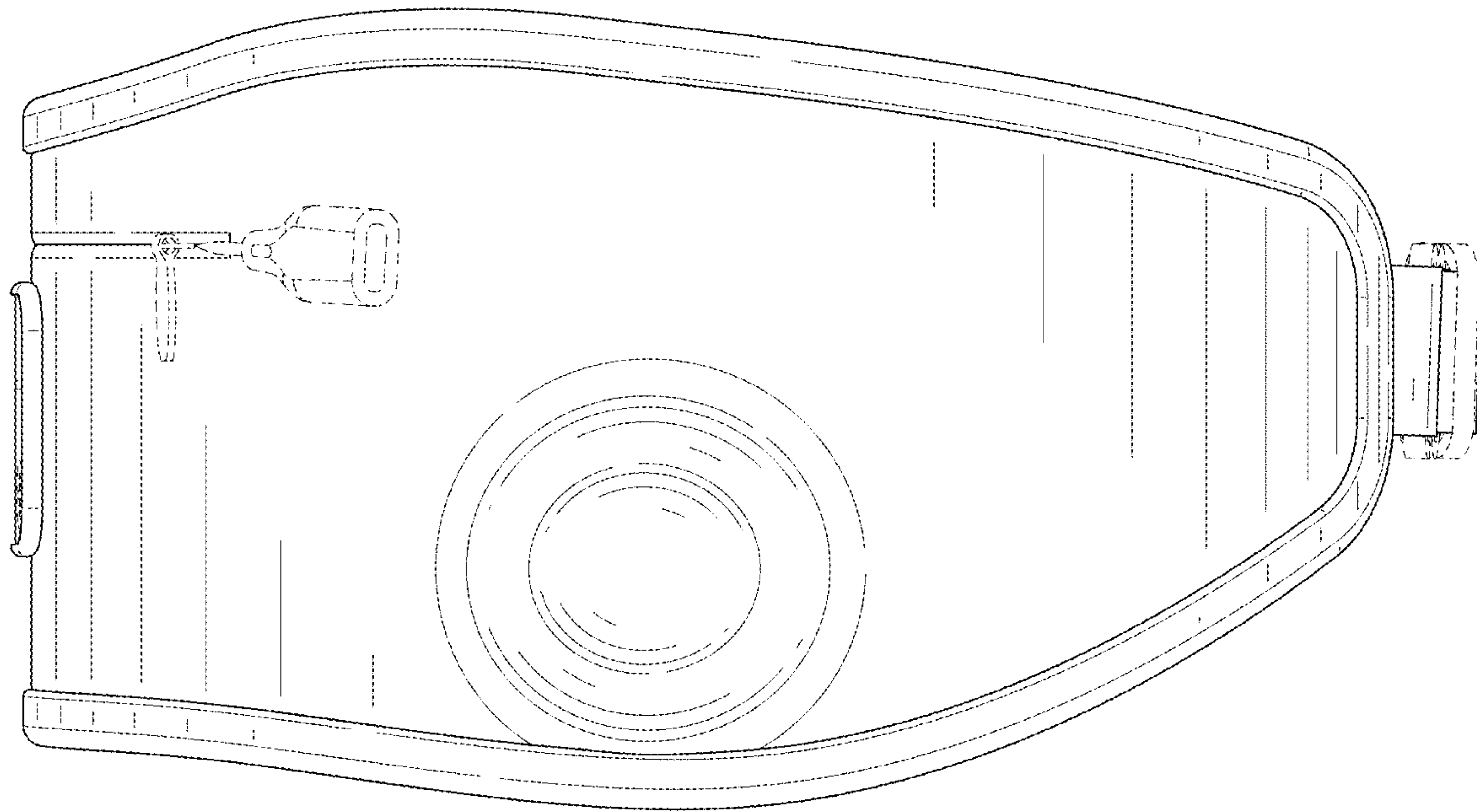


FIG. 6

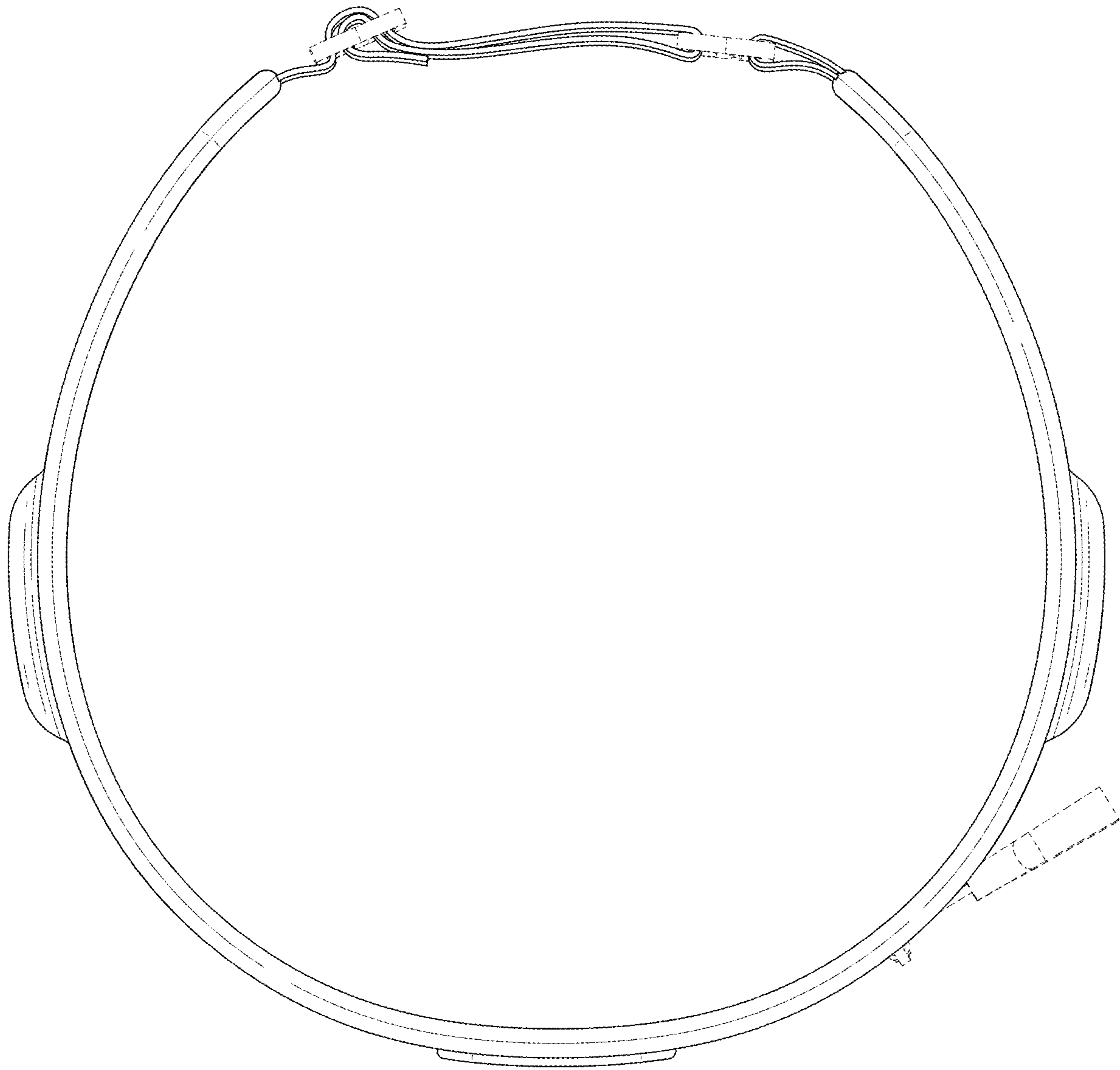


FIG. 7

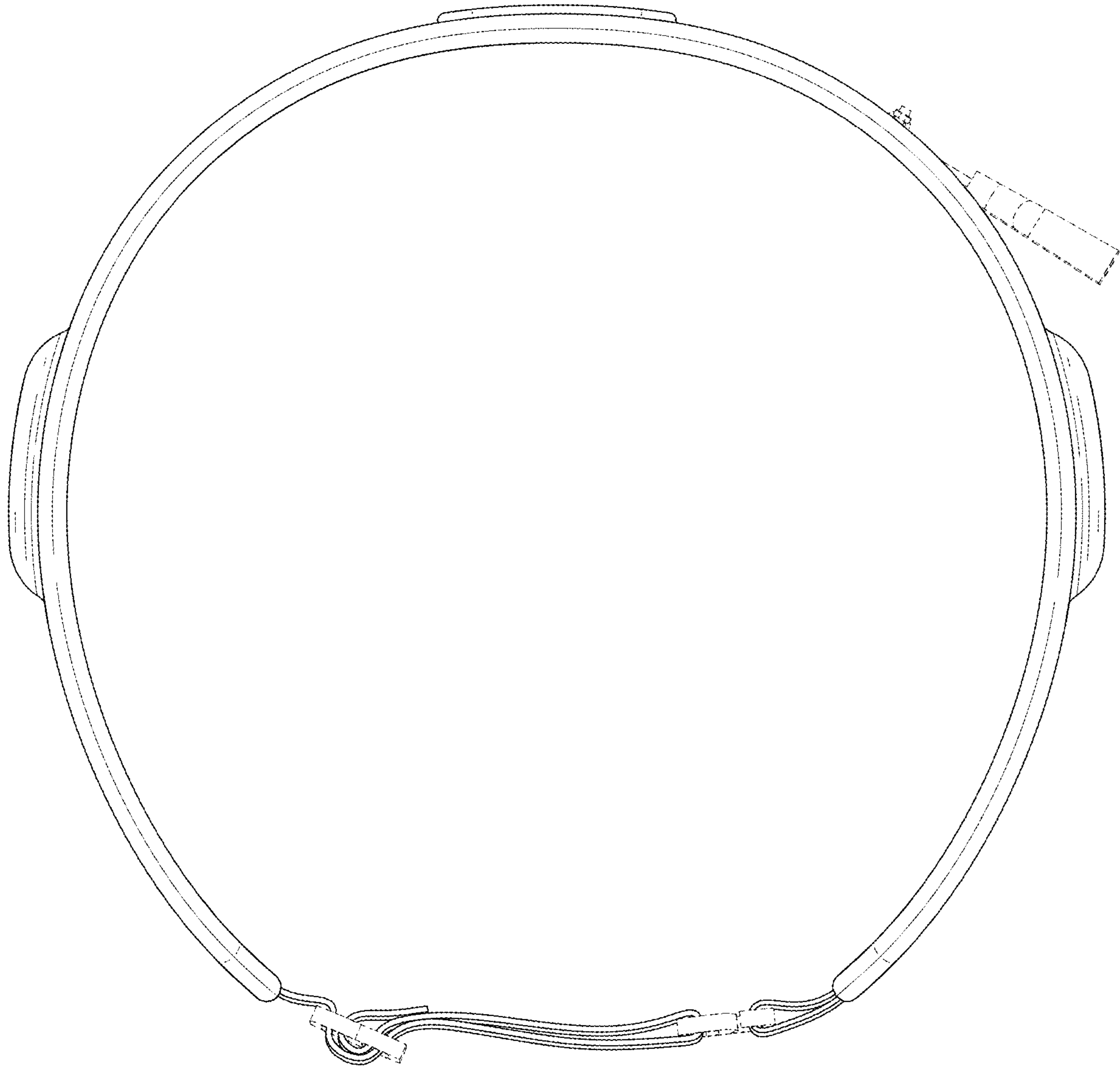


FIG. 8