

US00D946543S

(12) **United States Design Patent**
Jang et al.

(10) **Patent No.:** **US D946,543 S**

(45) **Date of Patent:** **** Mar. 22, 2022**

(54) **TELEVISION RECEIVER**

CPC G06F 1/18; H04N 7/18; B64D 11/00152;
B64D 11/00154; B60R 11/0229; B60R
11/02; B60R 2011/0017

(71) Applicant: **LG ELECTRONICS INC.**, Seoul
(KR)

See application file for complete search history.

(72) Inventors: **Younghun Jang**, Seoul (KR);
Jaeneung Jung, Seoul (KR); **Yooseok
Kim**, Seoul (KR)

(56) **References Cited**

U.S. PATENT DOCUMENTS

(73) Assignee: **LG ELECTRONICS INC.**, Seoul
(KR)

D692,403	S	*	10/2013	Takami	D14/126
D700,586	S	*	3/2014	Kim	D14/126
D703,168	S	*	4/2014	Won	D14/126
D714,238	S	*	9/2014	Kim	D14/126
D719,119	S	*	12/2014	Park	D14/126
D720,315	S	*	12/2014	Kim	D14/126
D722,033	S	*	2/2015	Kim	D14/126
D722,989	S	*	2/2015	Park	D14/126
D733,082	S	*	6/2015	Hwangbo	D14/126
D748,596	S	*	2/2016	McManigal	D14/126
D751,519	S	*	3/2016	Ma	D14/126
D754,086	S	*	4/2016	Valeur	D14/126
D755,140	S	*	5/2016	Kim	D14/126
D756,945	S	*	5/2016	Kim	D14/126
D768,100	S	*	10/2016	Seo	D14/126
D772,830	S	*	11/2016	Kim	D14/126

(Continued)

(**) Term: **15 Years**

(21) Appl. No.: **35/510,463**

(22) Filed: **Apr. 1, 2020**

(80) **Hague Agreement Data**

Int. Filing Date: **Apr. 1, 2020**

Int. Reg. No.: **DM/207197**

Int. Reg. Date: **Apr. 1, 2020**

Int. Reg. Pub. Date: **Oct. 2, 2020**

(30) **Foreign Application Priority Data**

Oct. 11, 2019 (KR) 30-2019-0048559

(51) **LOC (13) Cl.** **14-03**

(52) **U.S. Cl.**
USPC **D14/126**
CPC **B64D 11/00154** (2014.12)

(58) **Field of Classification Search**

USPC D14/125-137, 140.11, 217, 239,
D14/314-316, 322, 326, 334-341,
D14/371-379, 432, 440, 448, 450, 485,
D14/492, 138 G, 248; D21/321, 324,
D21/329, 333, 369-371, 515; D6/300,
D6/310, 314, 320, 332, 356, 553;
D10/15, 26; 345/104, 133, 156, 168, 87,
345/173; 348/836, 838, 180, 184, 235,
348/739

Primary Examiner — Richard E Chilcot

(74) *Attorney, Agent, or Firm* — Birch, Stewart, Kolasch
& Birch, LLP

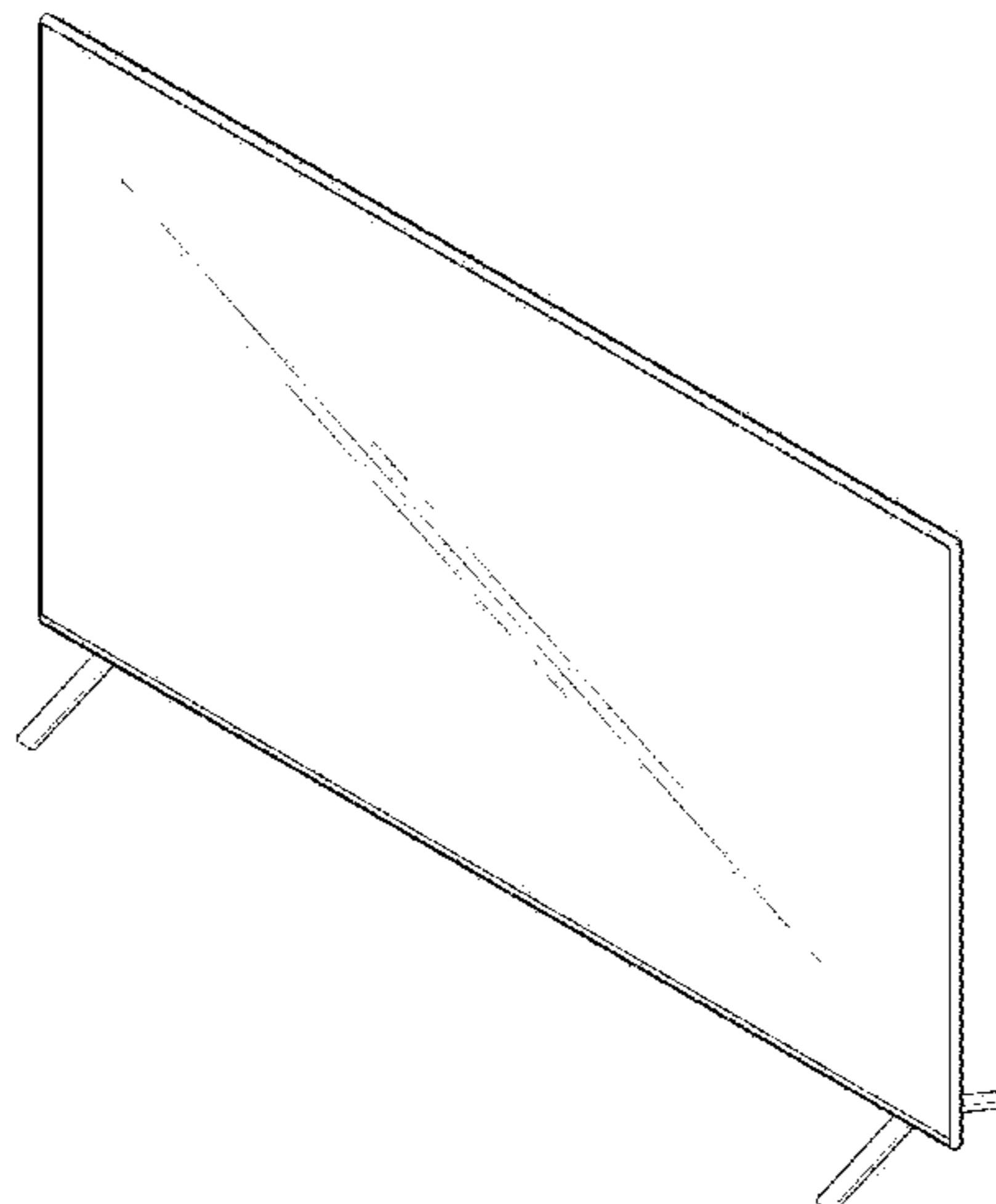
(57) **CLAIM**

The ornamental design for a television receiver, as shown
and described.

DESCRIPTION

1. Television receiver
- 1.1 : Perspective
- 1.2 : Rear perspective view
- 1.3 : Front
- 1.4 : Back
- 1.5 : Left
- 1.6 : Right
- 1.7 : Top
- 1.8 : Bottom

(Continued)



The broken lines indicate portions of the article that form no part of the claimed design.

1 Claim, 8 Drawing Sheets

(56)

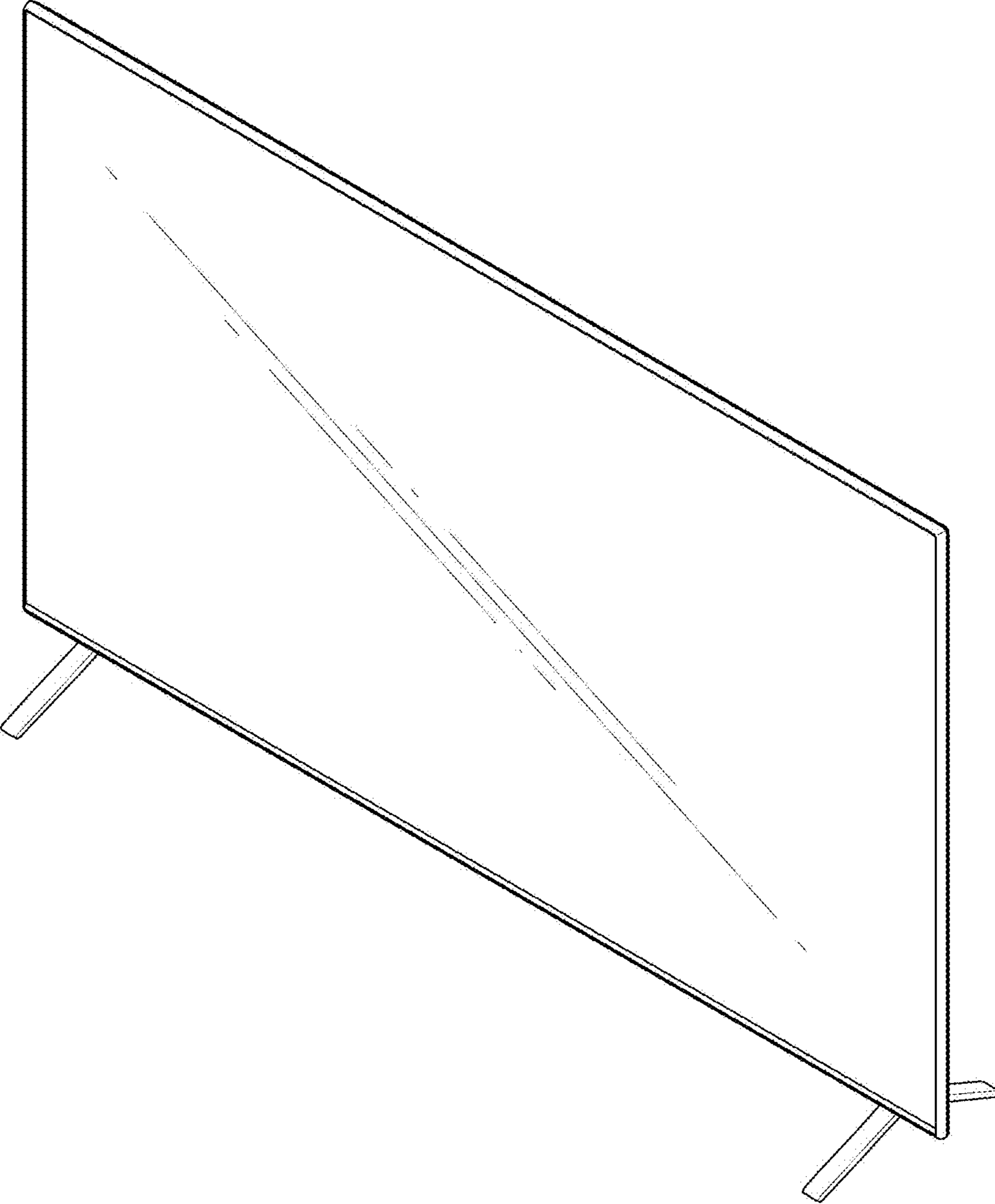
References Cited

U.S. PATENT DOCUMENTS

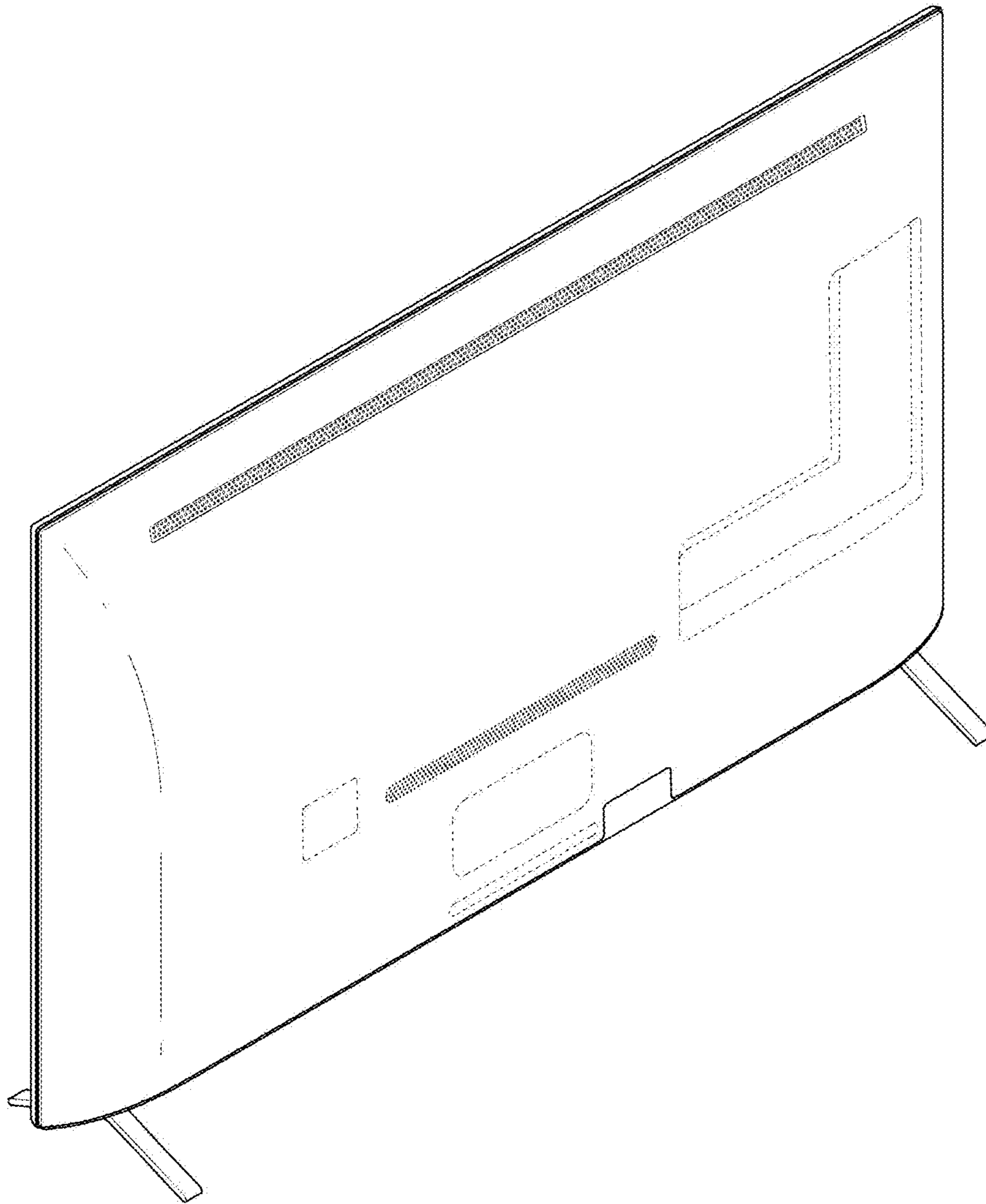
D773,419	S	*	12/2016	Han	D14/126
D774,484	S	*	12/2016	Han	D14/126
D775,094	S	*	12/2016	Kim	D14/126
D778,854	S	*	2/2017	Lee	D14/126
D778,855	S	*	2/2017	Lee	D14/126
D780,140	S	*	2/2017	Kim	D14/126
D782,991	S	*	4/2017	Kim	D14/126
D785,581	S	*	5/2017	McManigal	D14/126
D786,813	S	*	5/2017	McManigal	D14/126
D787,462	S	*	5/2017	Shiono	D14/126
D790,493	S	*	6/2017	Han	D14/126
D792,361	S	*	7/2017	Han	D14/126

* cited by examiner

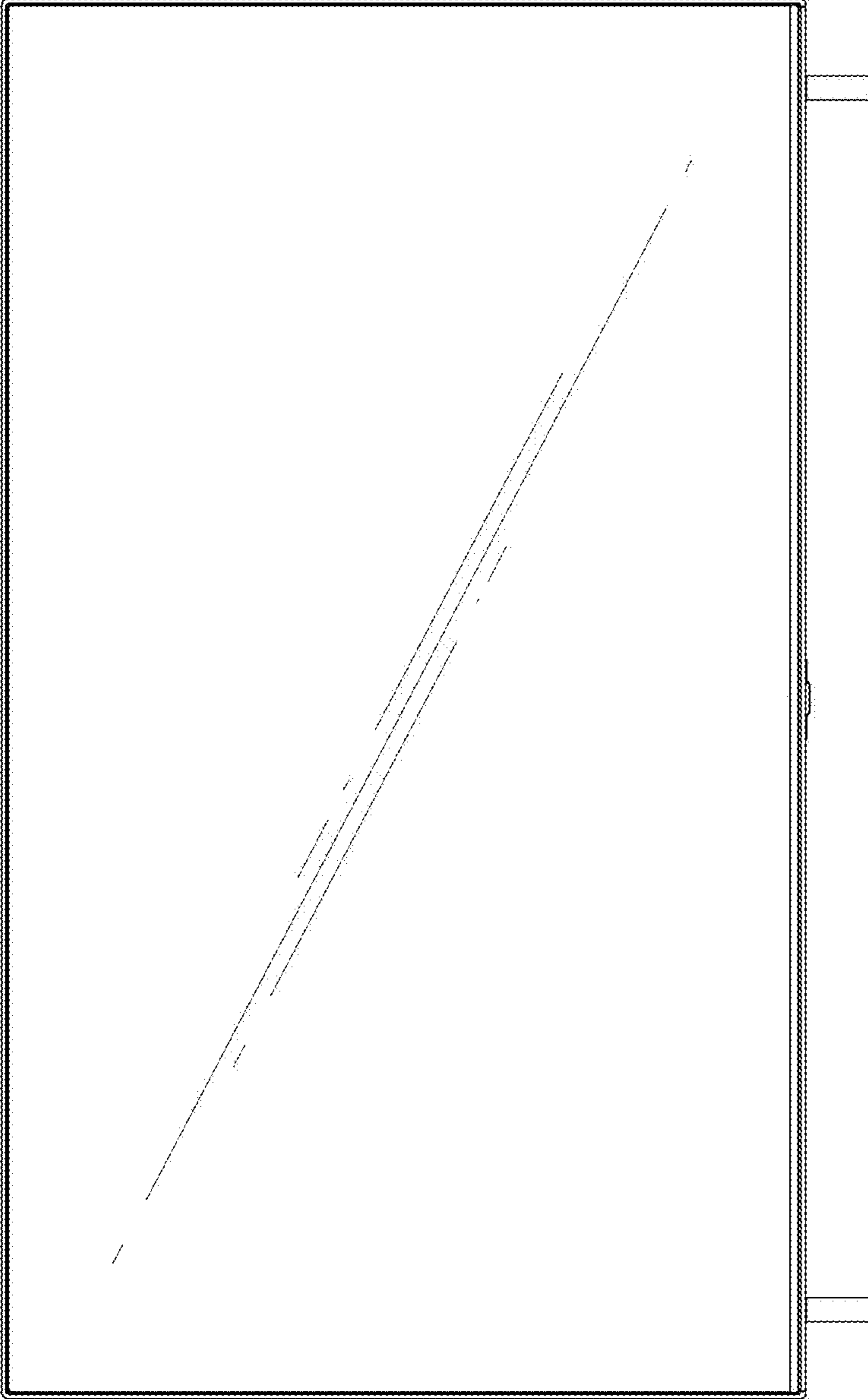
1.1



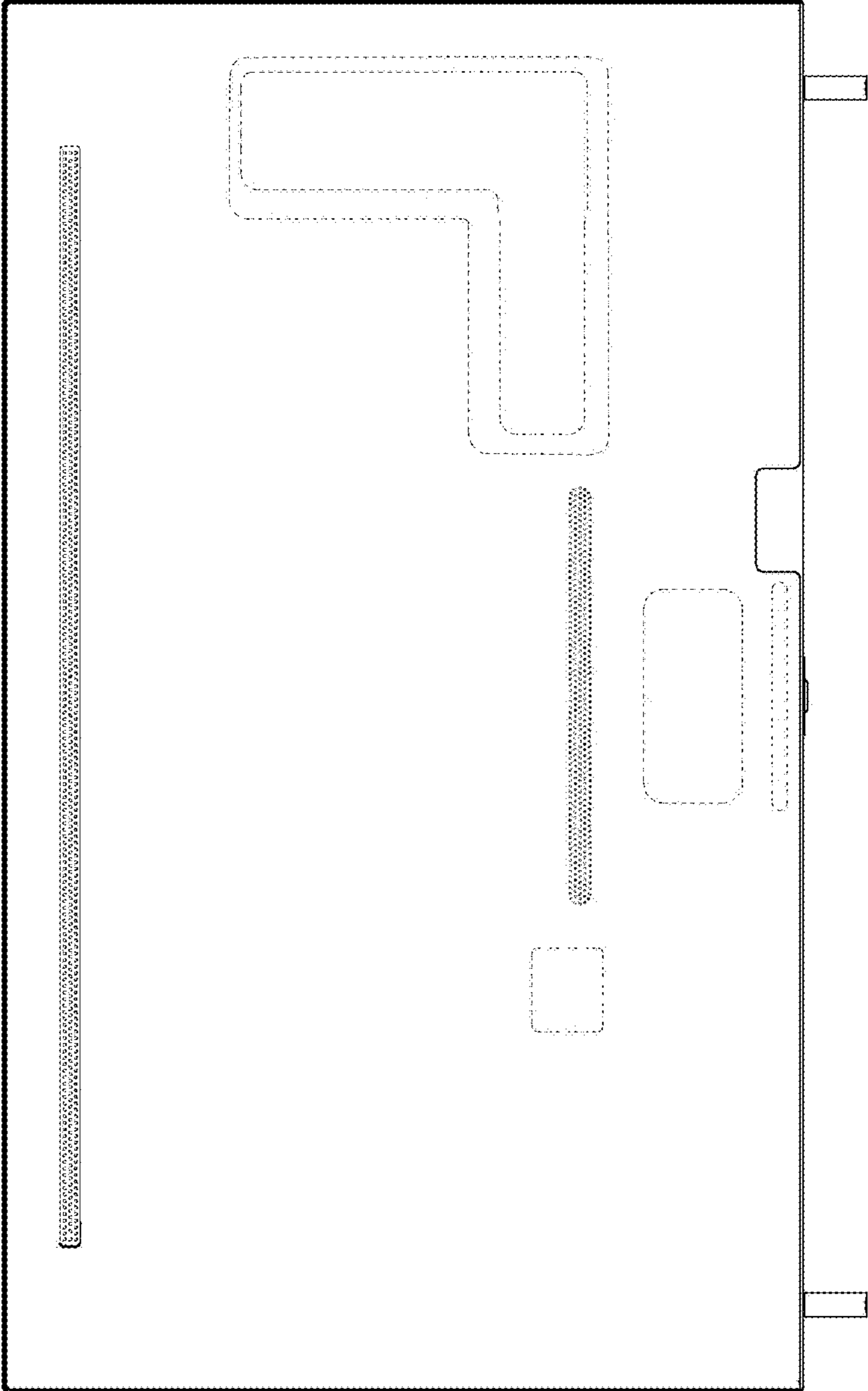
1.2



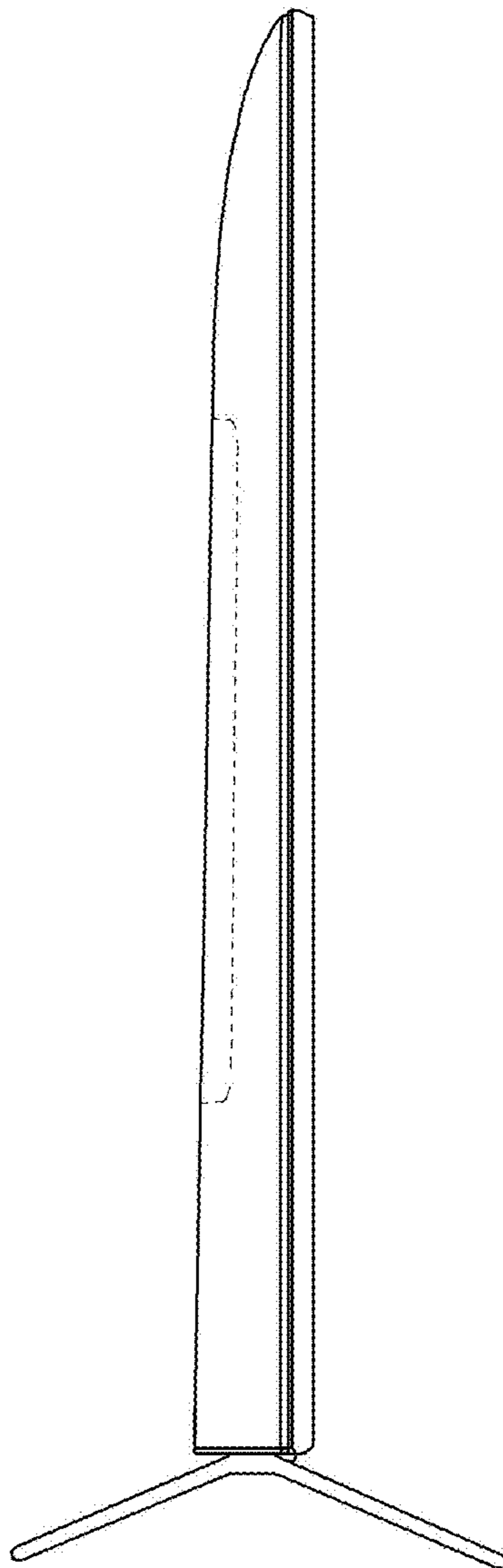
1.3



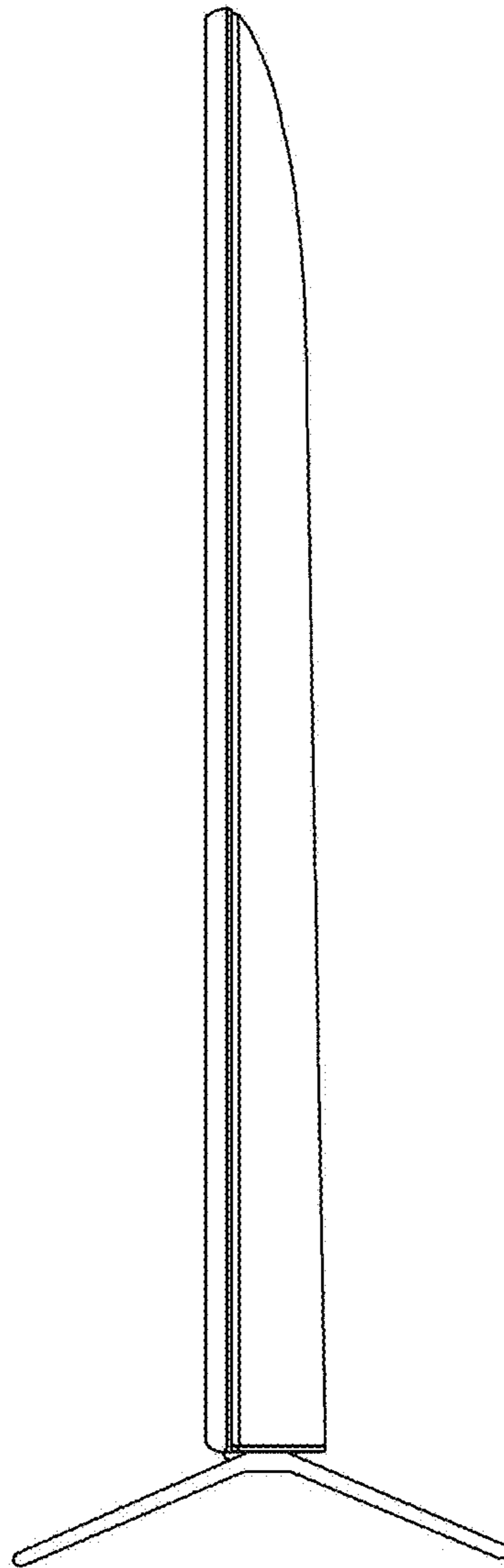
1.4

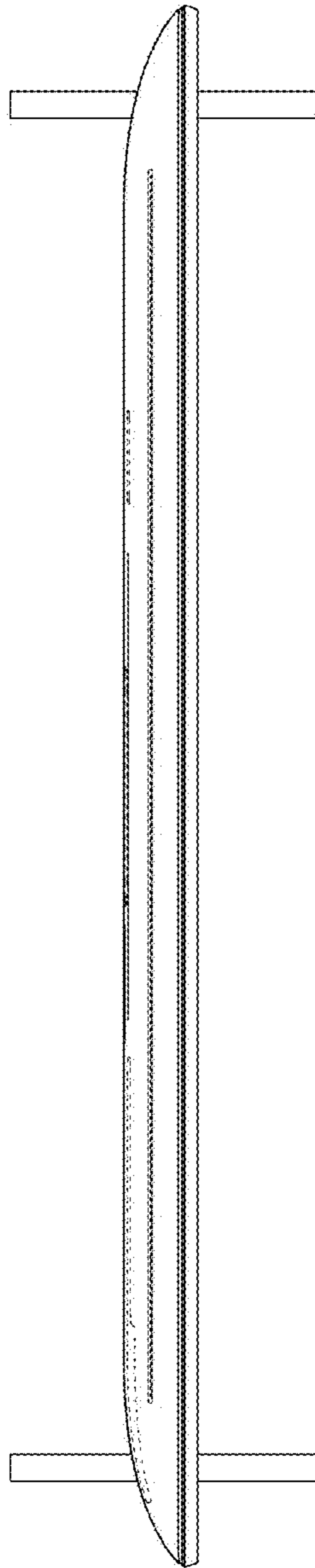


1.5

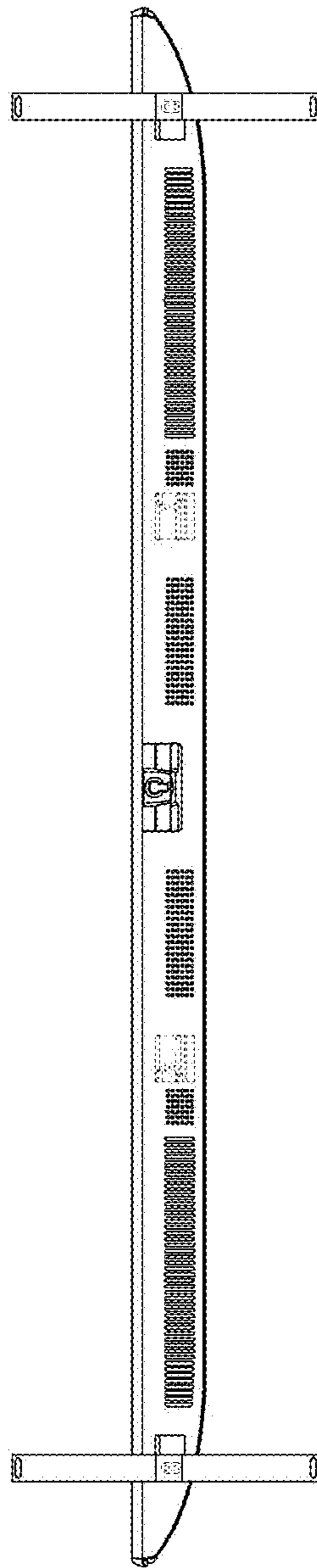


1.6





1.7



1.8