

US00D946541S

(12) **United States Design Patent**  
**Zimmerman, III et al.**

(10) **Patent No.:** **US D946,541 S**  
(45) **Date of Patent:** **\*\* Mar. 22, 2022**

- (54) **SMALL CELL HOUSING COVER**
- (71) Applicant: **Ubicquia LLC**, Wellington, FL (US)
- (72) Inventors: **Ronald B. Zimmerman, III**,  
Wellington, FL (US); **Ian B. Aaron**,  
Wellington, FL (US)
- (73) Assignee: **Ubicquia, Inc.**, Fort Lauderdale, FL  
(US)
- (\*\*) Term: **15 Years**
- (21) Appl. No.: **29/662,621**
- (22) Filed: **Sep. 6, 2018**
- (51) **LOC (13) Cl.** ..... **13-03**
- (52) **U.S. Cl.**  
USPC ..... **D13/184**
- (58) **Field of Classification Search**  
USPC ..... D13/184, 152, 156, 158, 177; D26/24,  
D26/28, 71, 83, 88, 89, 118, 120, 139,  
D26/190, 195, 196  
CPC ..... F21V 3/00; F21V 3/02; F21V 3/0083  
See application file for complete search history.

- 11,019,244 B2 \* 5/2021 Clynne ..... G03B 5/00
- 2018/0283629 A1 \* 10/2018 Fisher ..... F21S 8/086
- 2020/0373682 A1 \* 11/2020 Root ..... H01Q 1/526
- 2020/0374980 A1 \* 11/2020 Zimmerman, III ..... H01Q 1/44

\* cited by examiner

*Primary Examiner* — Keli L Hill  
*Assistant Examiner* — Harold E Blackwell, II  
(74) *Attorney, Agent, or Firm* — Daniel C. Crilly;  
Thomas J. Satagaj

(57) **CLAIM**

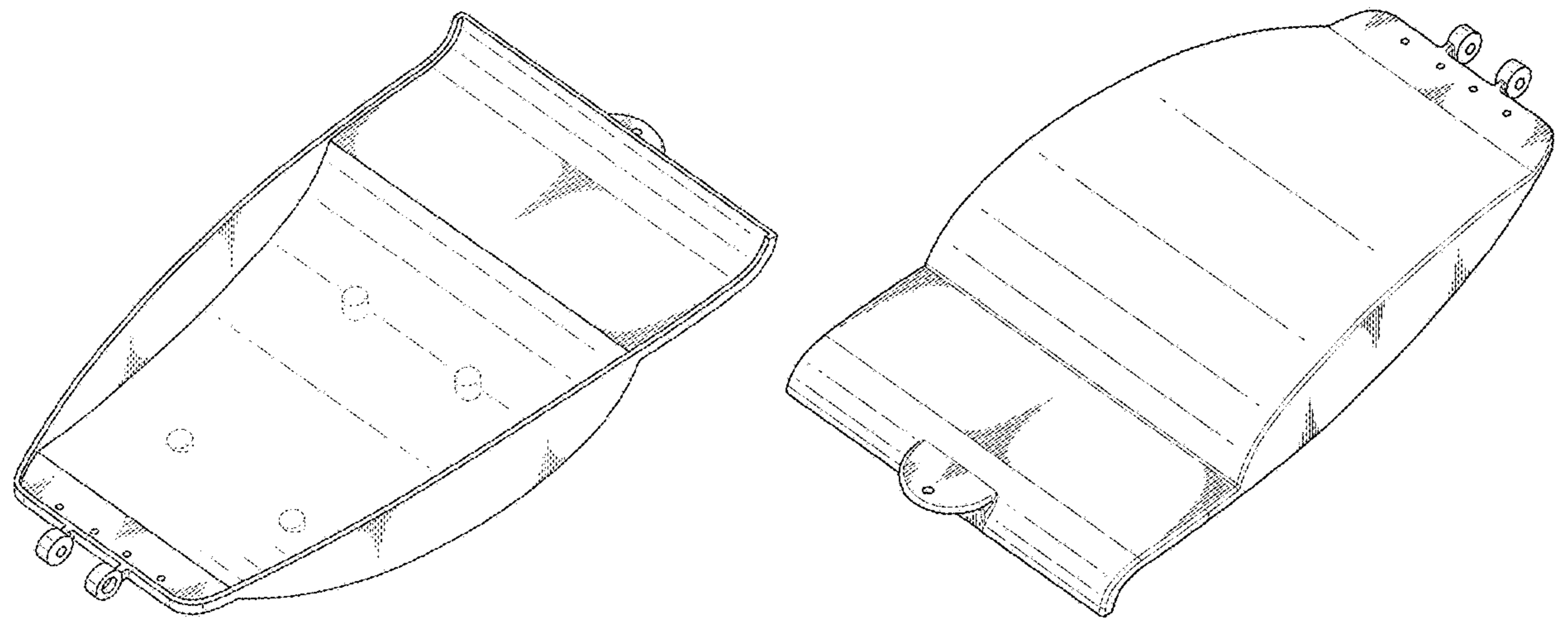
The ornamental design for a small cell housing cover, as shown and described.

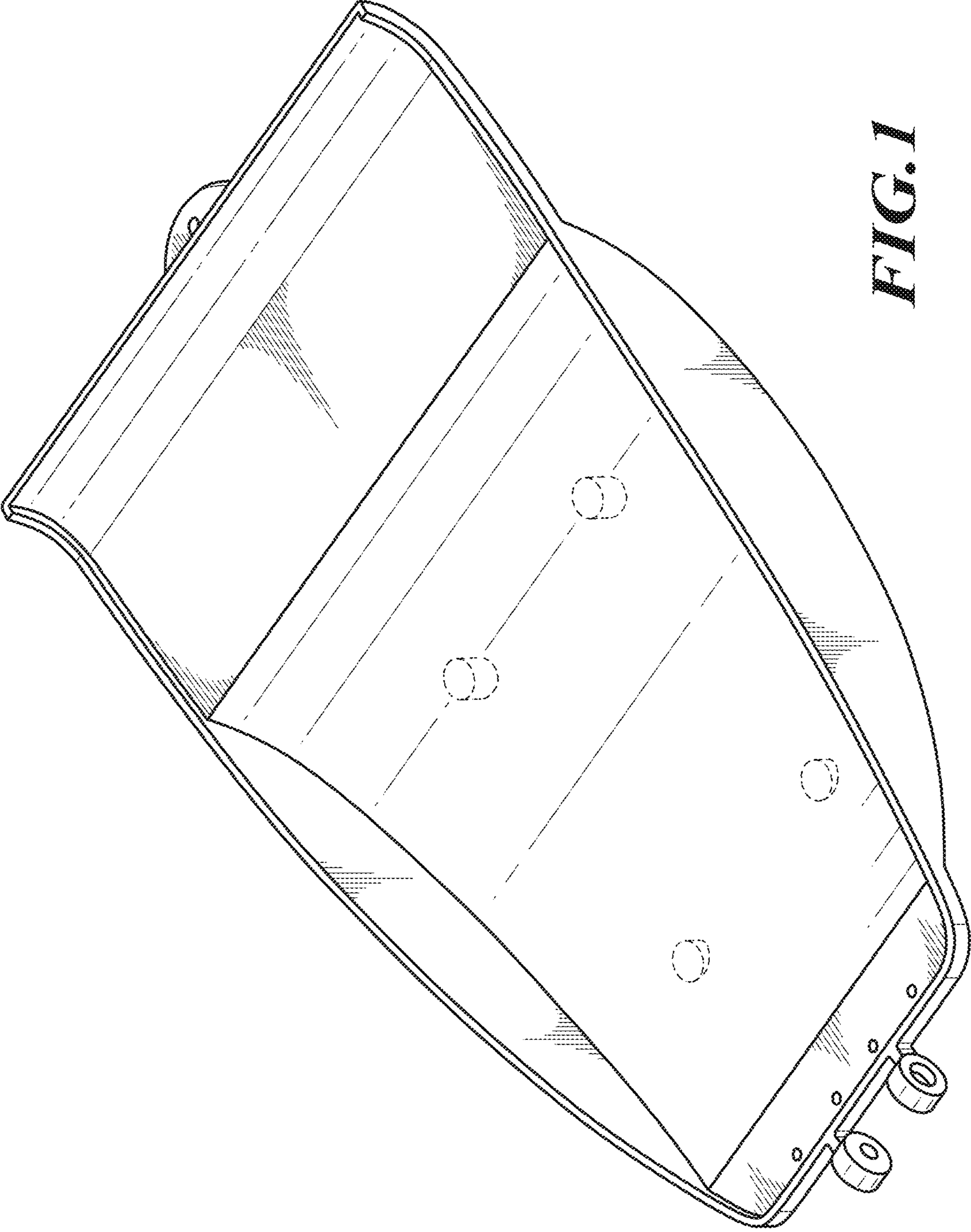
**DESCRIPTION**

FIG. 1 is a top-side (inside) perspective view of a small cell housing cover showing our new design. FIG. 2 is a bottom-side (outside) perspective view thereof. FIG. 3 is a top-side (inside) plan view thereof. FIG. 4 is a bottom-side (outside) plan view thereof. FIG. 5 is a left side elevational view thereof. FIG. 6 is a right side elevational view thereof. FIG. 7 is a rear elevational view thereof. FIG. 8 is a front elevational view thereof; and, FIG. 9 is a perspective view of the small cell housing cover mounted on a street light luminaire. Broken lines, including the street light luminaire represented by broken lines in FIG. 9 of the small cell housing cover and other broken lines in the drawings, are for illustrative purposes only and form no part of the claimed design. Shading lines shown in the drawings are intended to represent the approximate three-dimensional contour of the design and are not intended to indicate surface decoration.

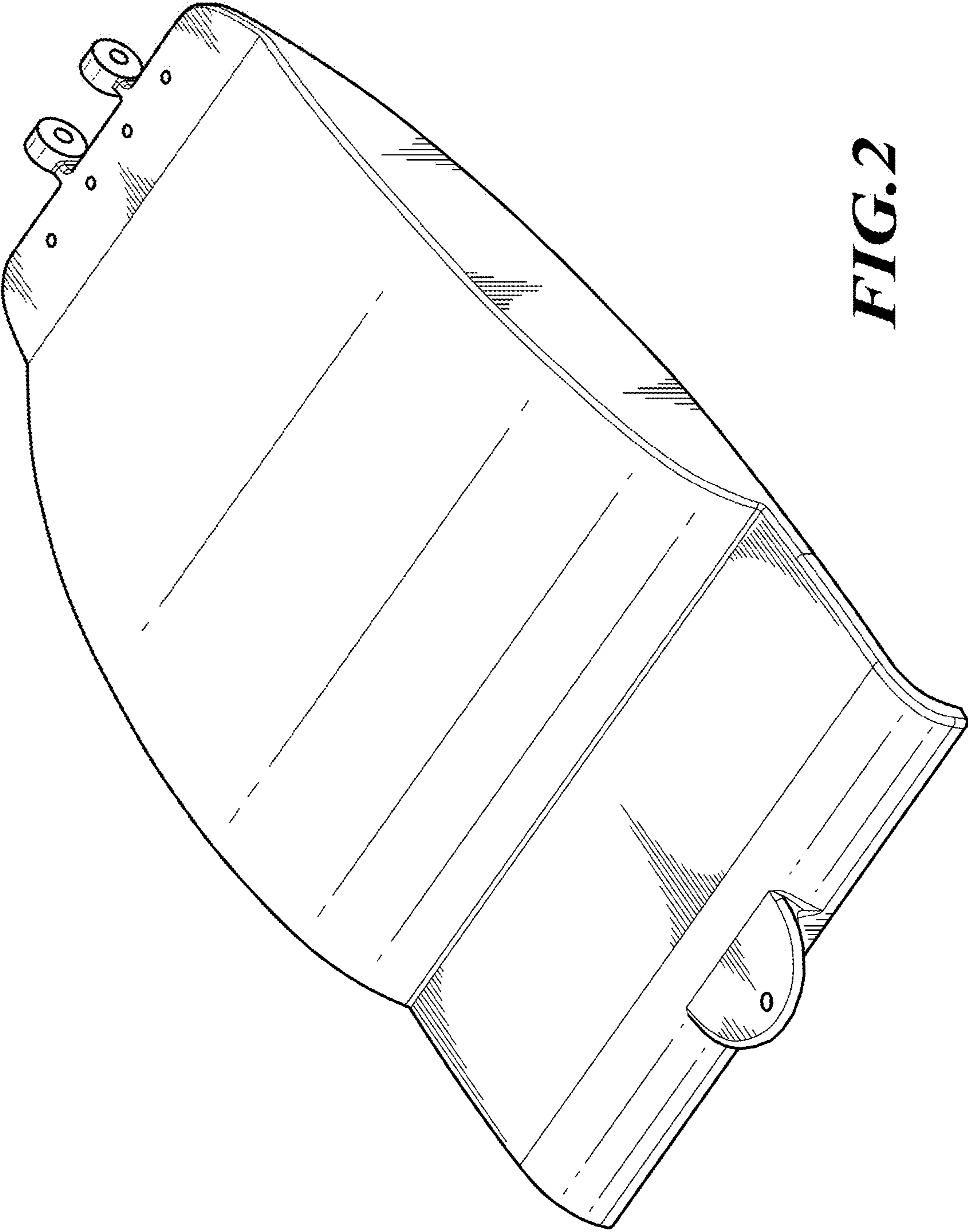
**1 Claim, 7 Drawing Sheets**

- (56) **References Cited**  
U.S. PATENT DOCUMENTS
- 4,979,634 A \* 12/1990 Begley ..... H01H 9/287  
16/267
- D470,826 S \* 2/2003 Bergmann ..... D13/184
- D488,138 S \* 4/2004 Parsadayan ..... D13/184
- 7,723,612 B2 \* 5/2010 Butler ..... F21S 8/086  
174/45 R
- 9,103,515 B1 \* 8/2015 Wang ..... F21S 8/085
- D767,514 S \* 9/2016 Summers ..... D13/177
- 9,759,401 B2 \* 9/2017 Schroll ..... F21V 3/10
- D875,999 S \* 2/2020 Griffin ..... D26/118
- D898,983 S \* 10/2020 Lyons ..... D26/118
- 11,009,197 B2 \* 5/2021 Lalos ..... H04W 4/38

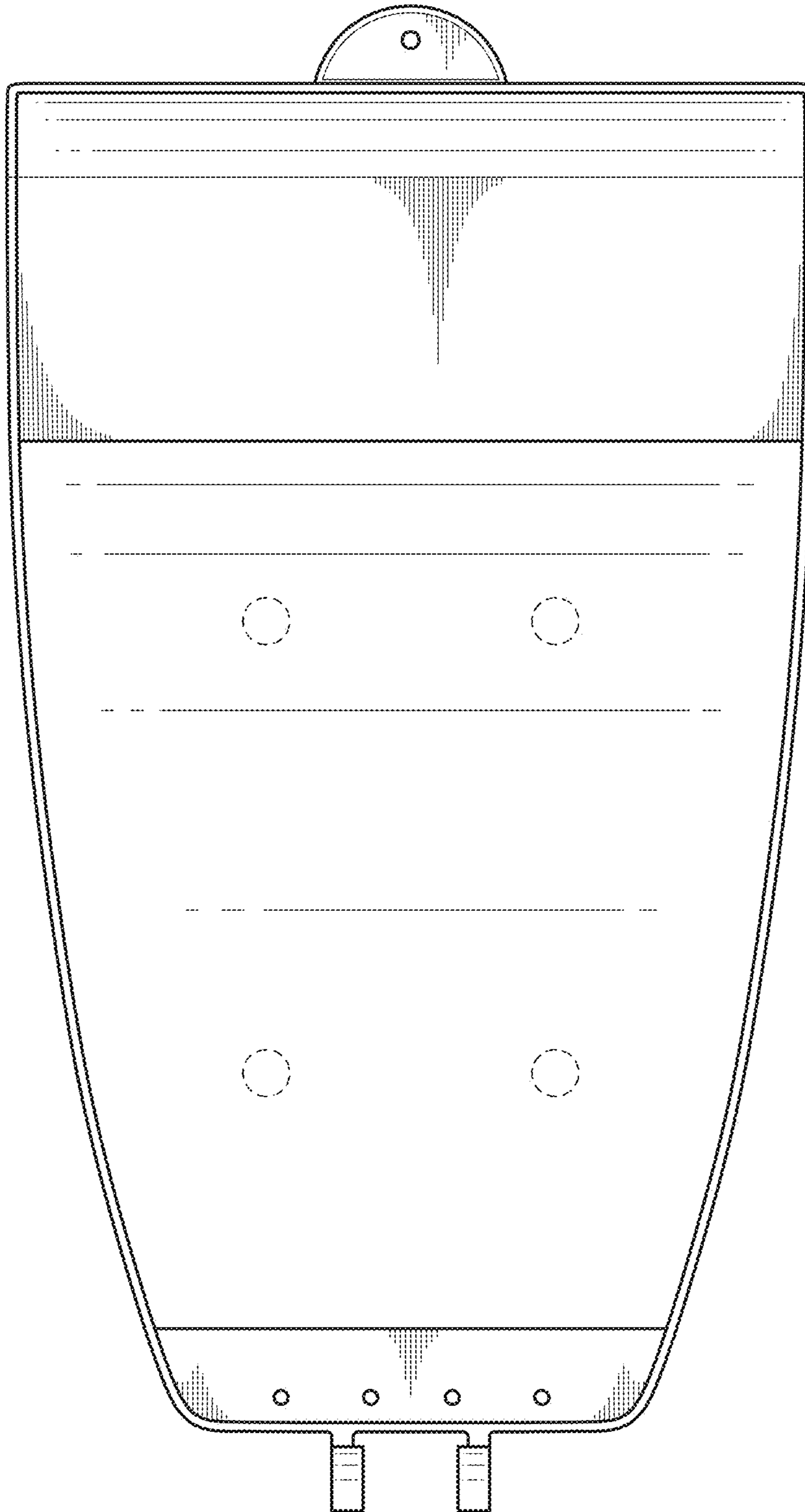




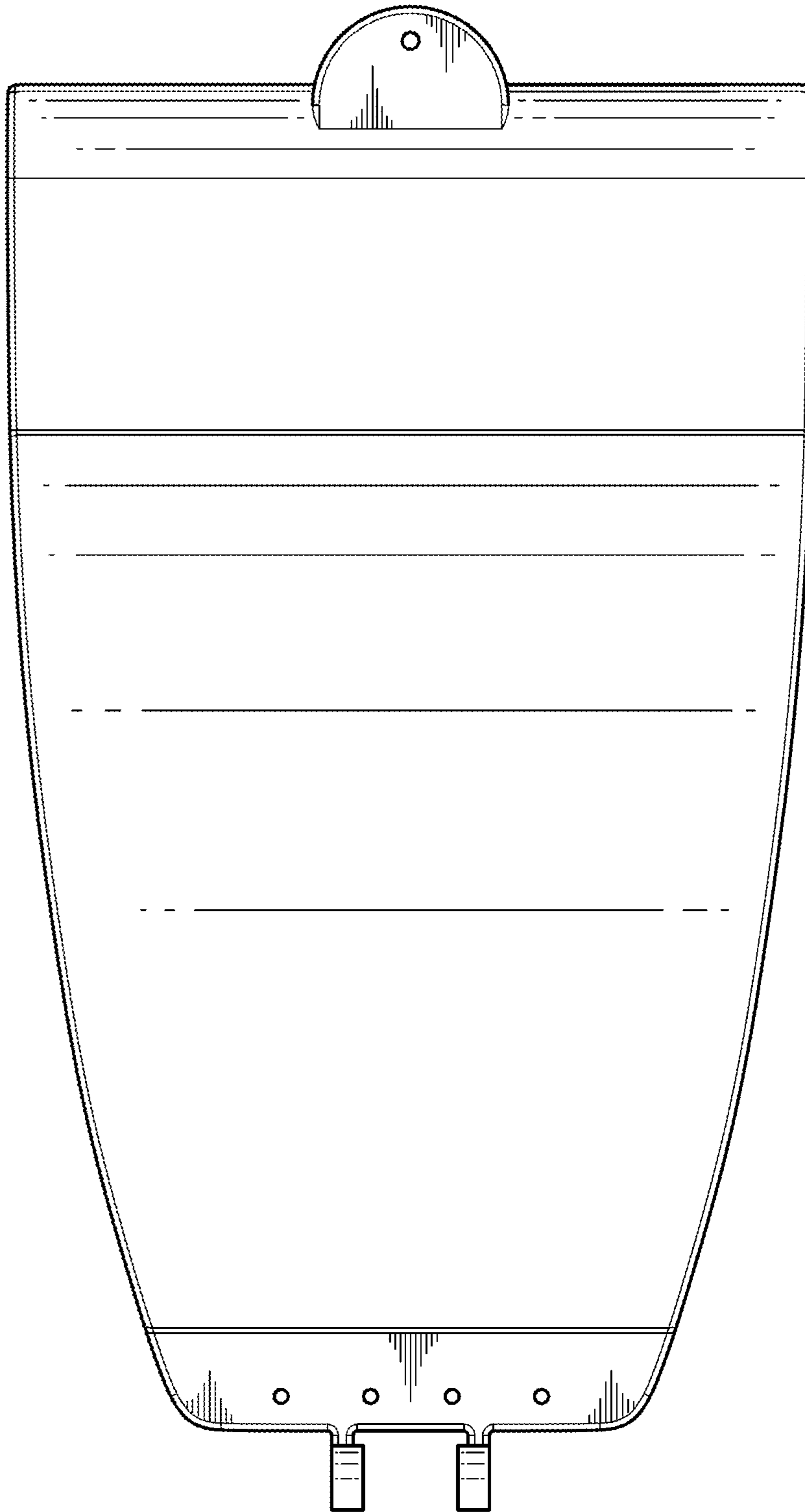
**FIG. 1**



**FIG. 2**



**FIG. 3**



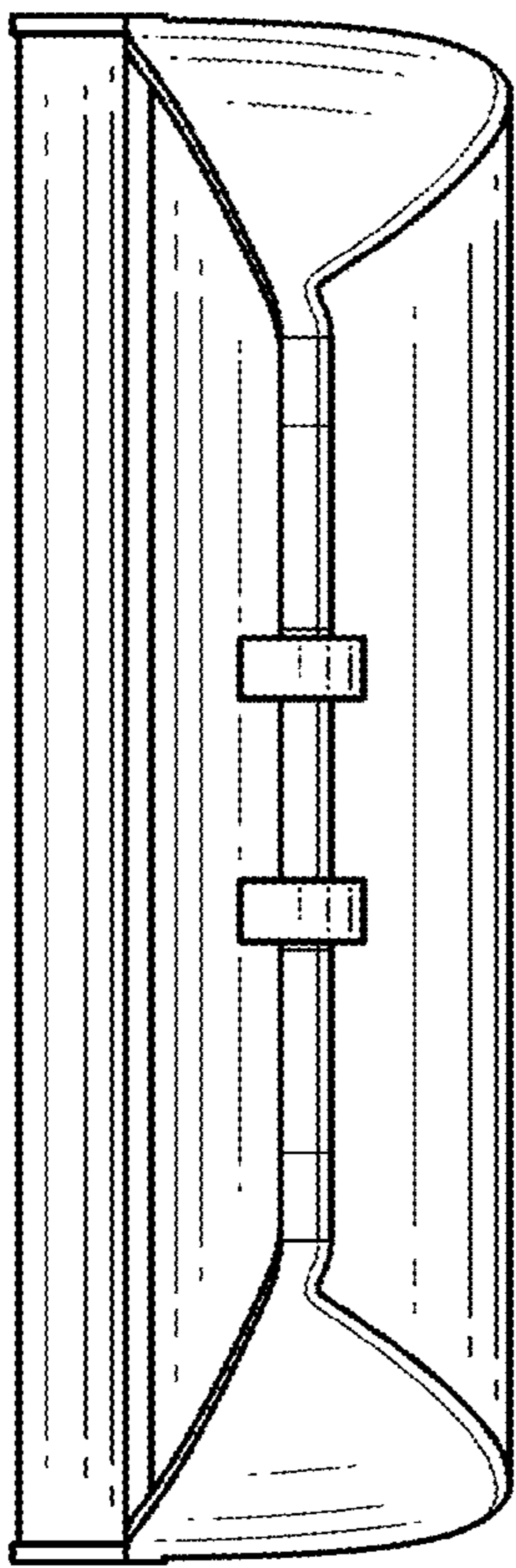
**FIG.4**



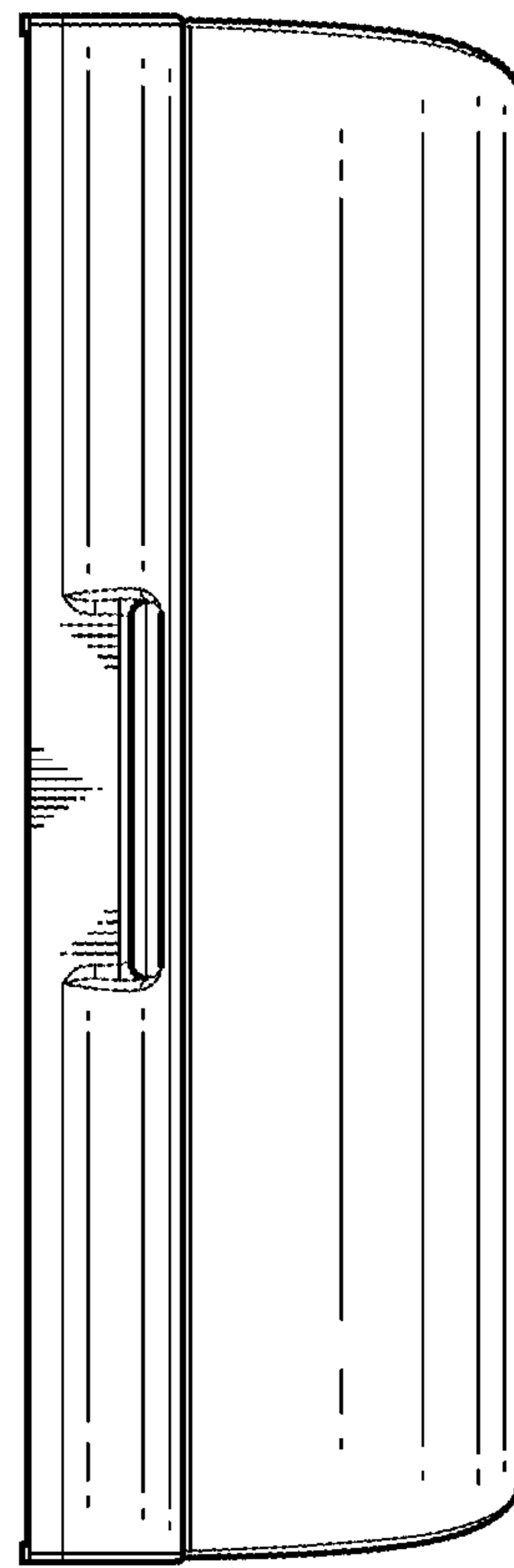
**FIG. 5**



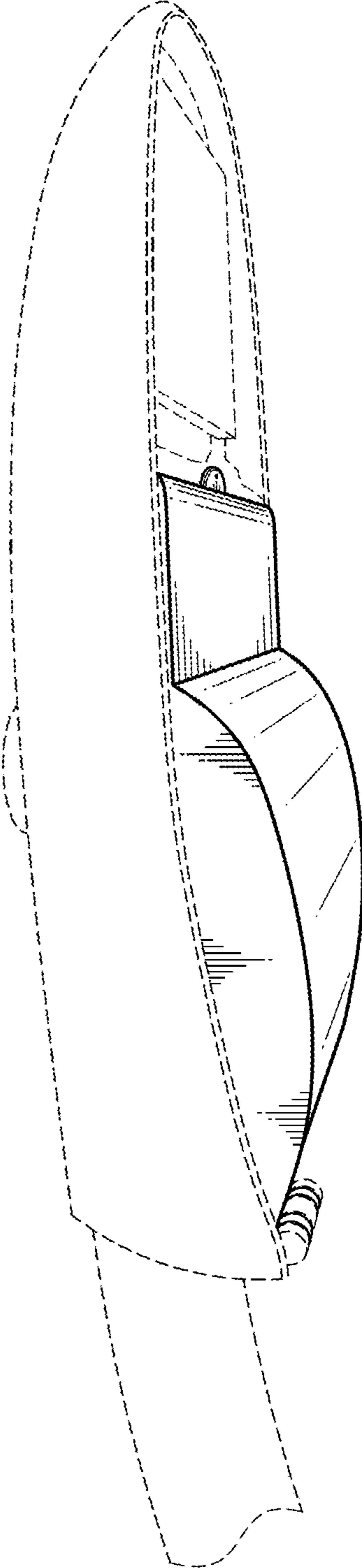
**FIG. 6**



**FIG. 7**



**FIG. 8**



**FIG. 9**