

US00D946539S

(12) **United States Design Patent**  
**Wu**

(10) **Patent No.:** **US D946,539 S**  
(45) **Date of Patent:** **\*\* Mar. 22, 2022**

- (54) **LAMP CONTROLLER**
- (71) Applicant: **SHENZHEN HANYUXING OPTOELECTRONICS CO., LTD.**, Shenzhen (CN)
- (72) Inventor: **Cunhan Wu**, Shenzhen (CN)
- (73) Assignee: **SHENZHEN HANYUXING OPTOELECTRONICS CO., LTD.**, Shenzhen (CN)
- (\*\*) Term: **15 Years**
- (21) Appl. No.: **29/785,684**
- (22) Filed: **May 26, 2021**
- (30) **Foreign Application Priority Data**  
  - May 20, 2021 (EM) ..... 008546907-0001
- (51) **LOC (13) Cl.** ..... **14-03**
- (52) **U.S. Cl.**  
USPC ..... **D13/168; D13/171**
- (58) **Field of Classification Search**  
USPC ..... D13/162, 168, 171; D14/217, 218  
CPC ..... G08C 17/02; H01H 9/02; H01H 9/0214; H01H 9/0235; H04B 1/202; F21S 4/00; F21S 4/10; F21S 4/20  
See application file for complete search history.

- (56) **References Cited**  
U.S. PATENT DOCUMENTS  
  - D351,375 S \* 10/1994 Nagele ..... D13/171
  - 6,005,210 A \* 12/1999 Chien ..... H01H 9/0228  
200/438
  - D430,854 S \* 9/2000 Vende ..... D13/168
  - D465,476 S \* 11/2002 Golding ..... D14/223
  - D481,364 S \* 10/2003 Kosumsuppamala ..... D13/168
  - D520,464 S \* 5/2006 Strong ..... D13/171
  - D524,295 S \* 7/2006 Jacobson ..... D14/218

- D626,535 S \* 11/2010 Kim ..... D14/218
- D626,943 S \* 11/2010 Chiu ..... D14/218
- 9,332,615 B1 \* 5/2016 Peng ..... H01H 9/0228
- D830,979 S \* 10/2018 Hung ..... D13/168
- D840,954 S 2/2019 Wu
- D887,374 S \* 6/2020 Gong ..... D13/168
- D910,580 S \* 2/2021 Zhu ..... D13/168
- D916,034 S \* 4/2021 Shi ..... D14/218
- D917,404 S 4/2021 Xu
- D940,085 S \* 1/2022 Pan ..... D13/168
- 2011/0050106 A1 \* 3/2011 Yang ..... H05B 39/04  
315/133
- 2012/0305375 A1 \* 12/2012 Kwok ..... H01H 1/5866  
200/293
- 2013/0075240 A1 \* 3/2013 Peng ..... H01H 13/06  
200/302.2
- 2014/0056010 A1 \* 2/2014 Devlin ..... H05B 47/19  
361/728
- 2016/0380424 A1 \* 12/2016 Aromin ..... H01H 83/04  
361/50
- 2018/0149345 A1 \* 5/2018 Zhang ..... F21V 21/002

*Primary Examiner* — Selina Sikder

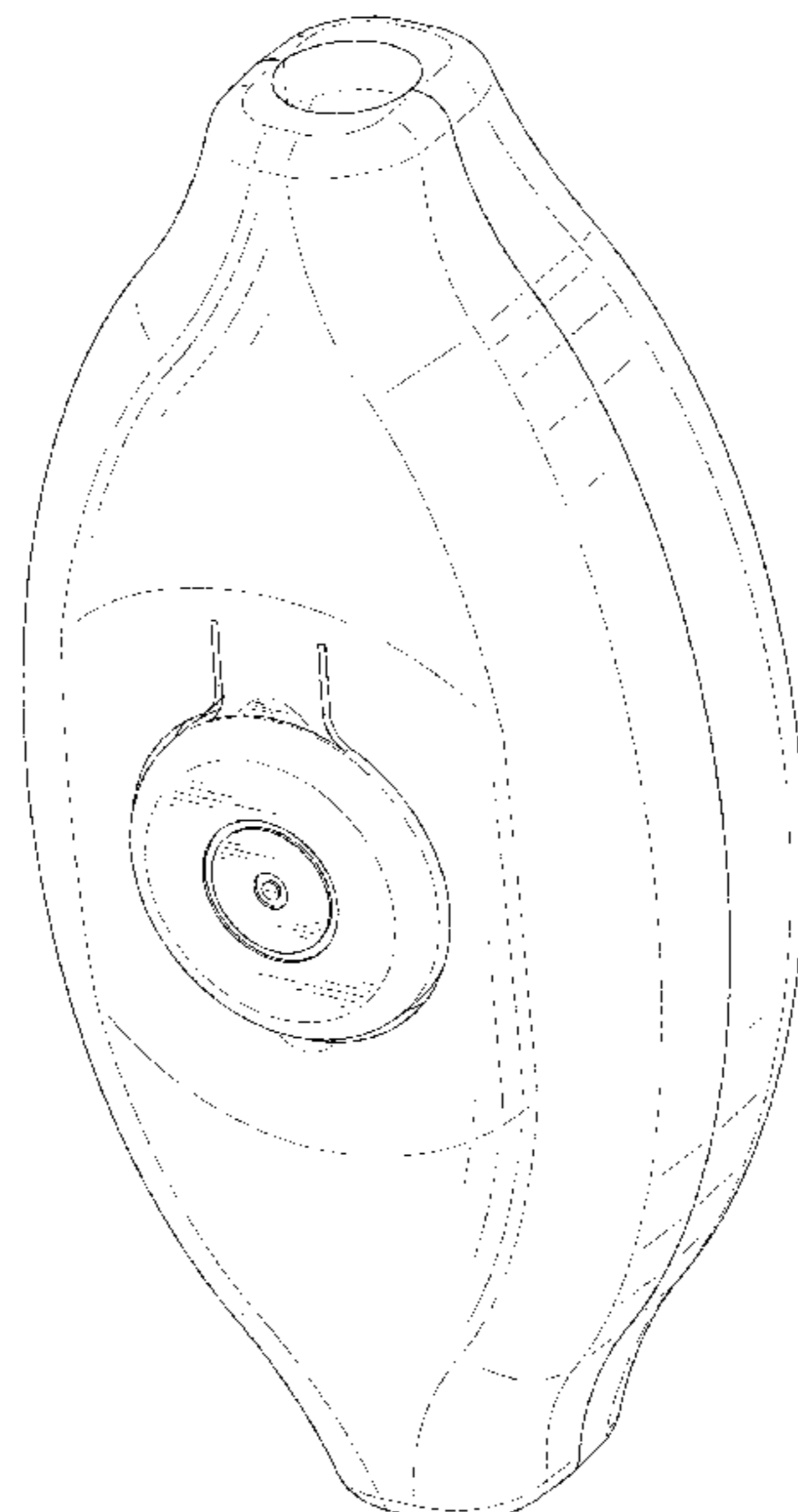
(57) **CLAIM**

The ornamental design for a lamp controller, as shown and described.

**DESCRIPTION**

FIG. 1 is a perspective view of a lamp controller showing my new design;  
FIG. 2 is another perspective view thereof;  
FIG. 3 is a front elevational view thereof;  
FIG. 4 is a rear elevational view thereof;  
FIG. 5 is a left side elevational view thereof;  
FIG. 6 is a right side elevational view thereof;  
FIG. 7 is a top plan view thereof; and,  
FIG. 8 is a bottom plan view thereof.  
The broken lines in the drawings depict portions of the lamp controller that form no part of the claimed design.

**1 Claim, 8 Drawing Sheets**



(56)

**References Cited**

U.S. PATENT DOCUMENTS

2019/0069649 A1\* 3/2019 Qin ..... F21S 4/10  
2021/0120651 A1\* 4/2021 Jiang ..... H05B 47/19

\* cited by examiner

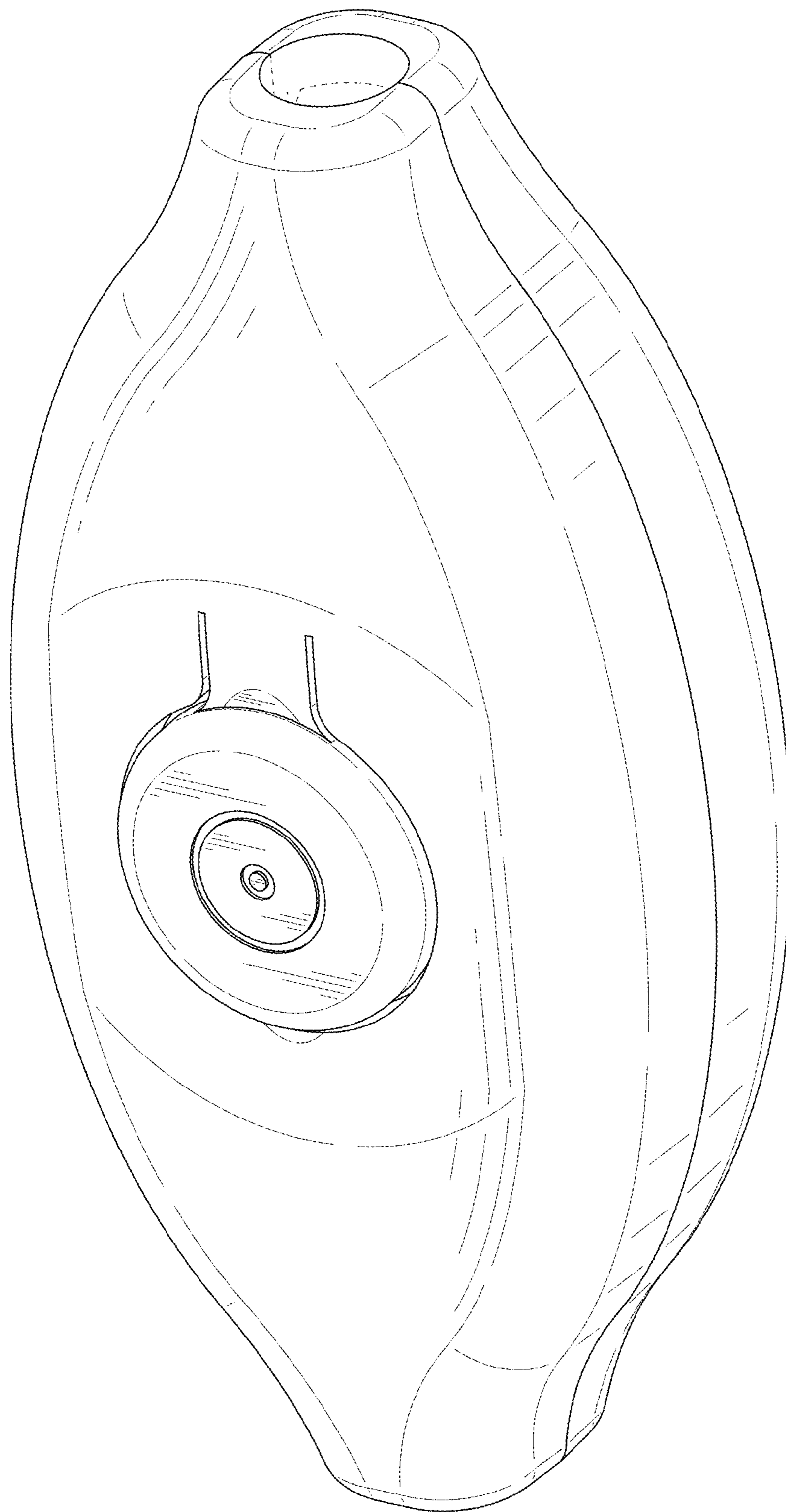


FIG. 1

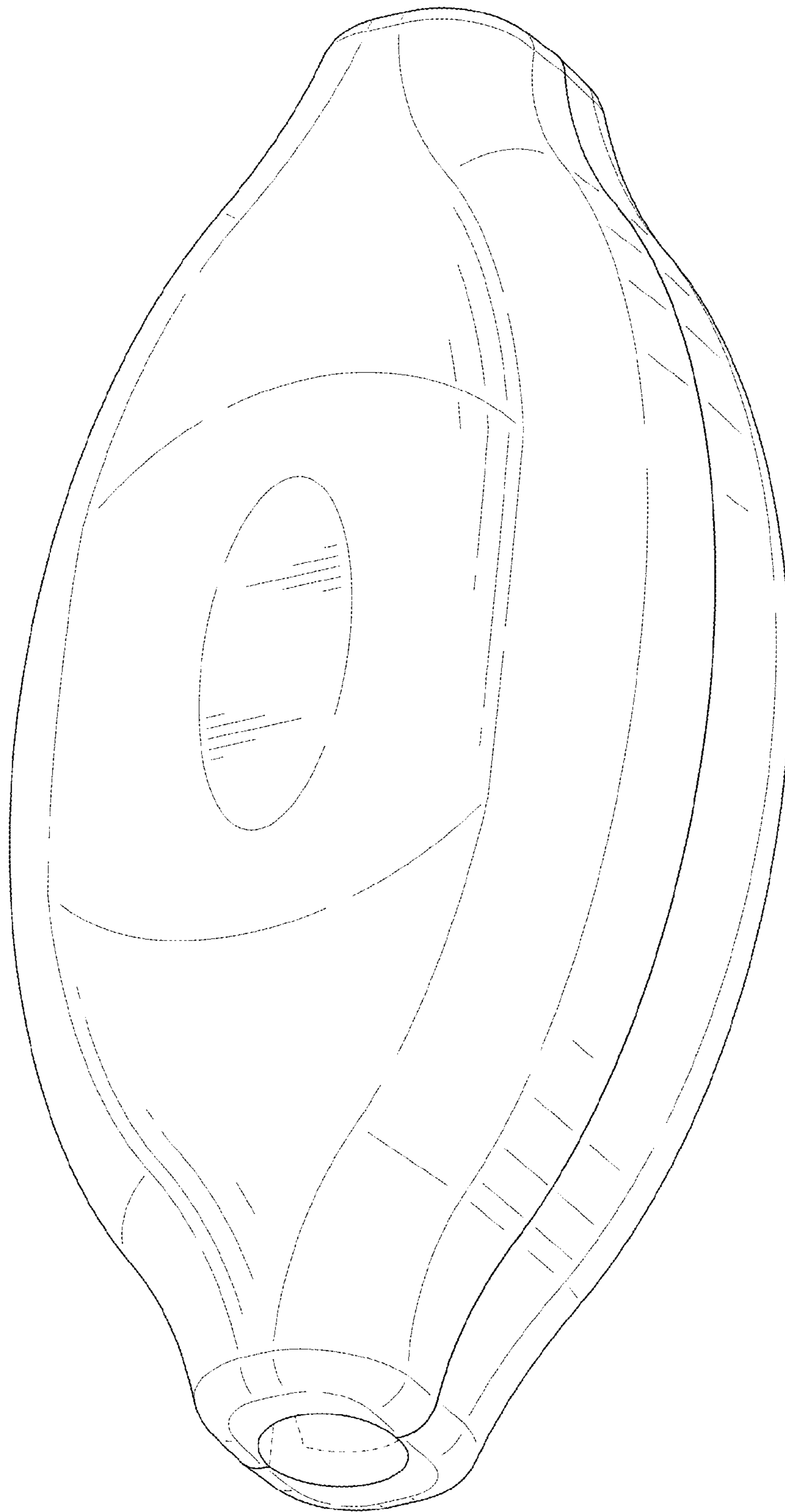


FIG. 2

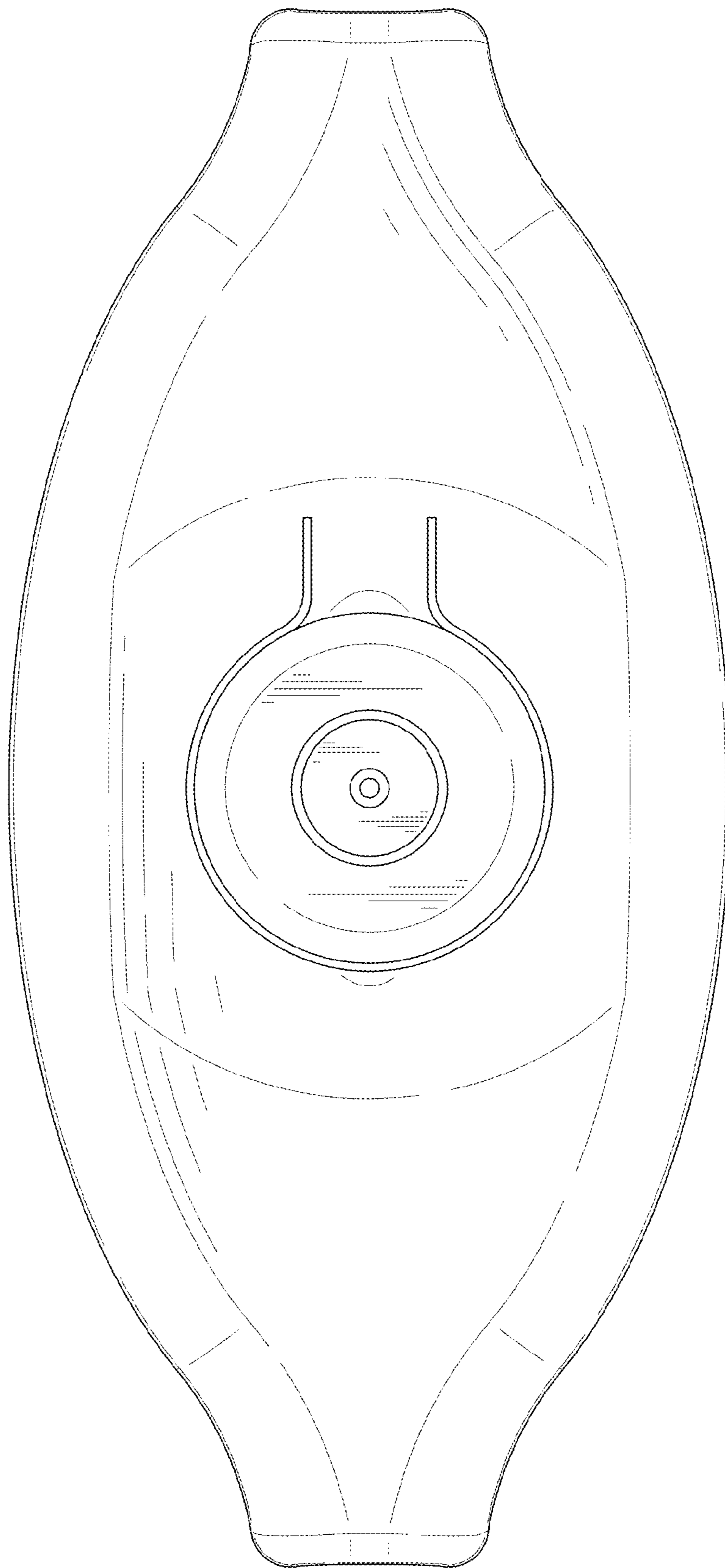


FIG. 3



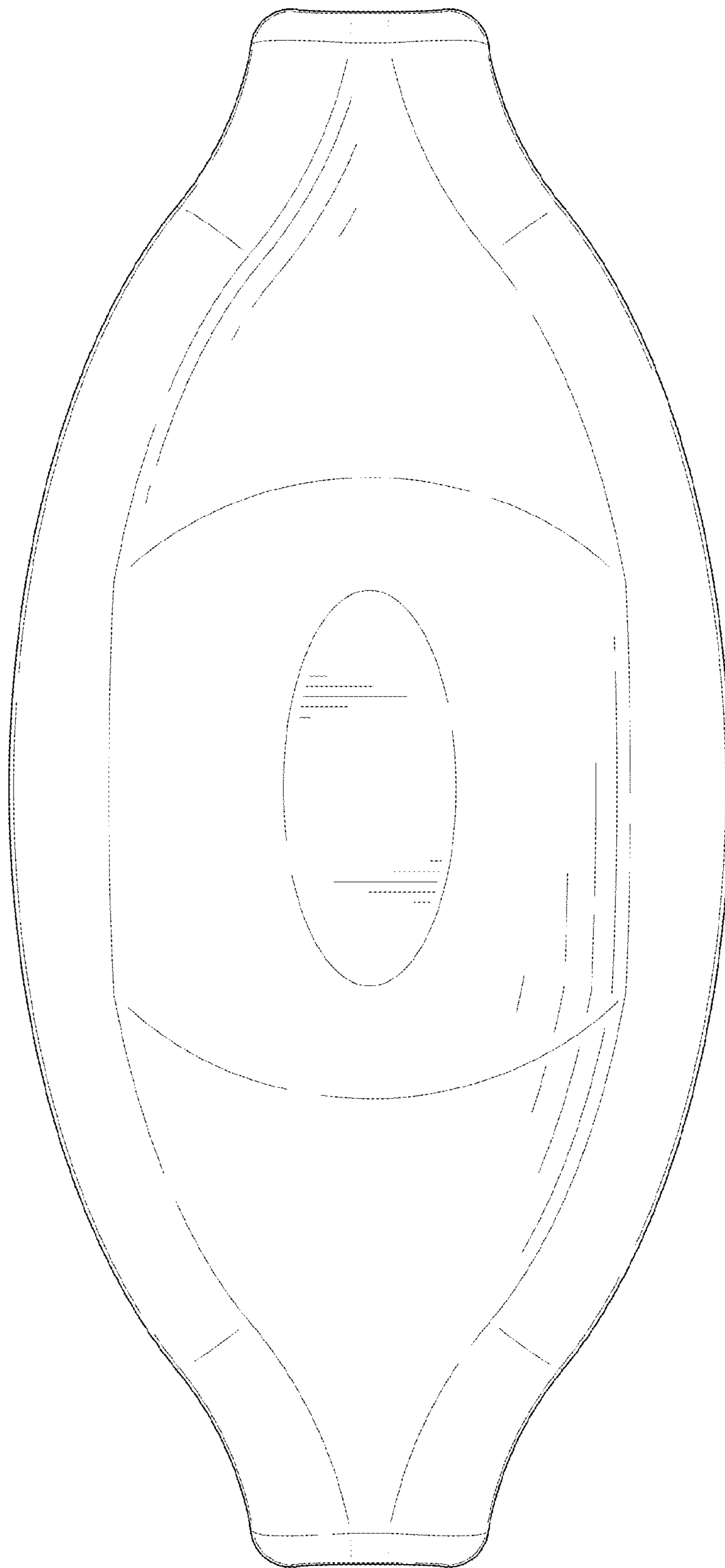


FIG. 4

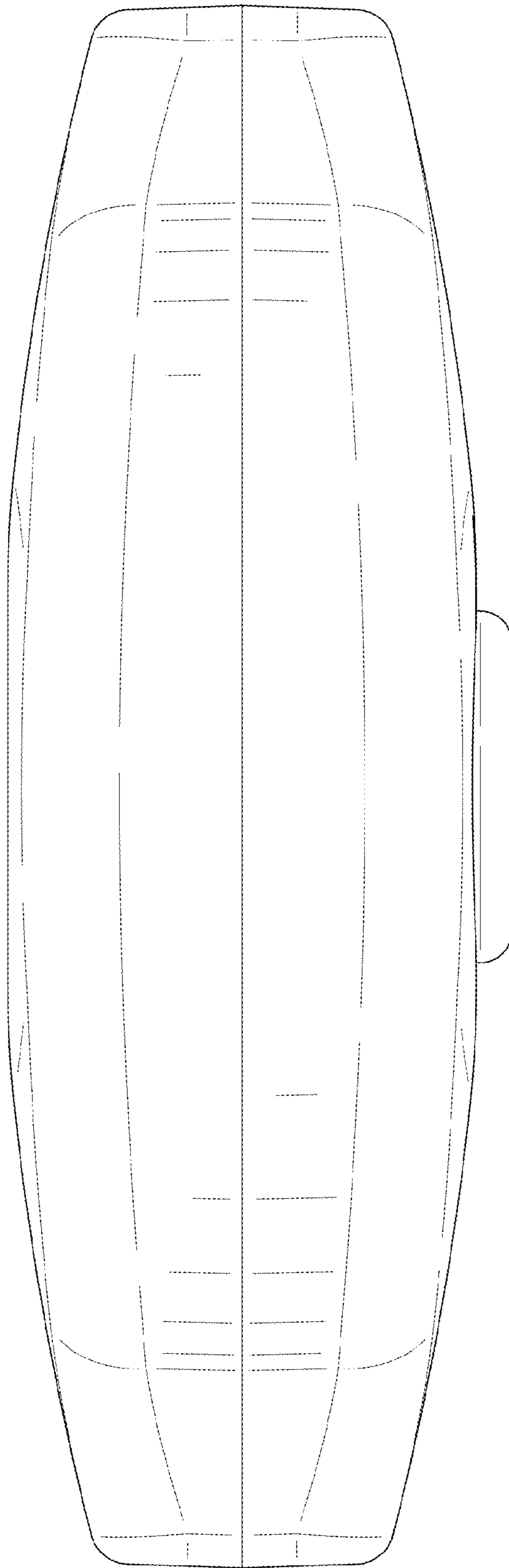


FIG. 5

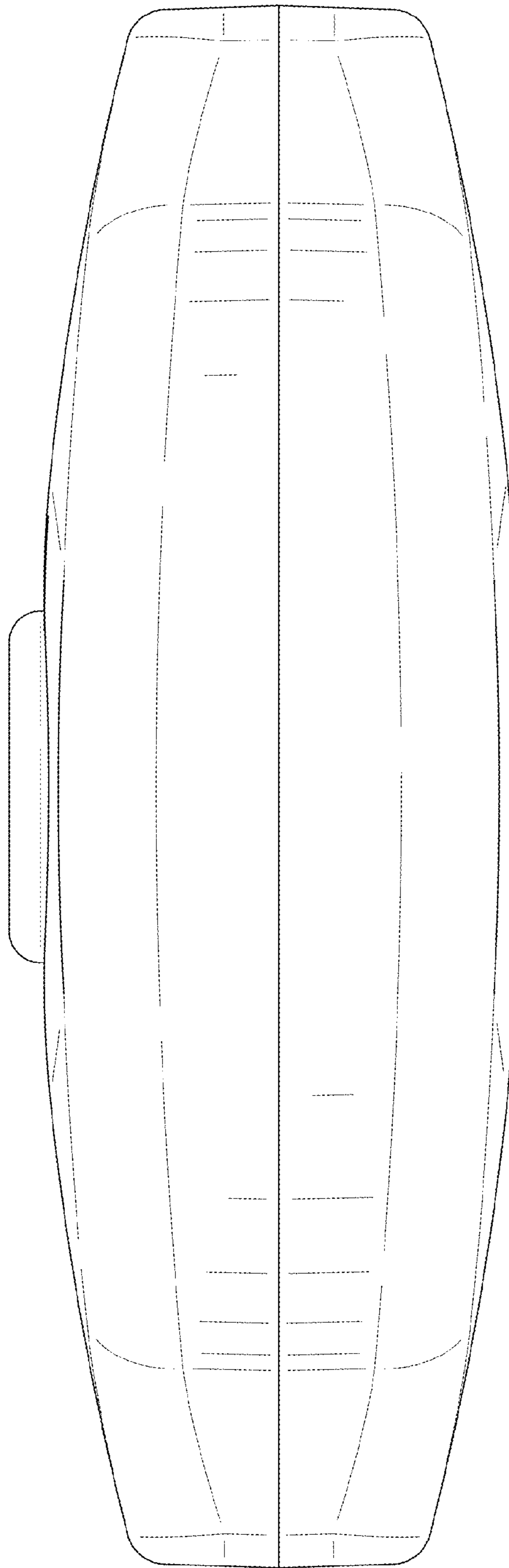


FIG. 6



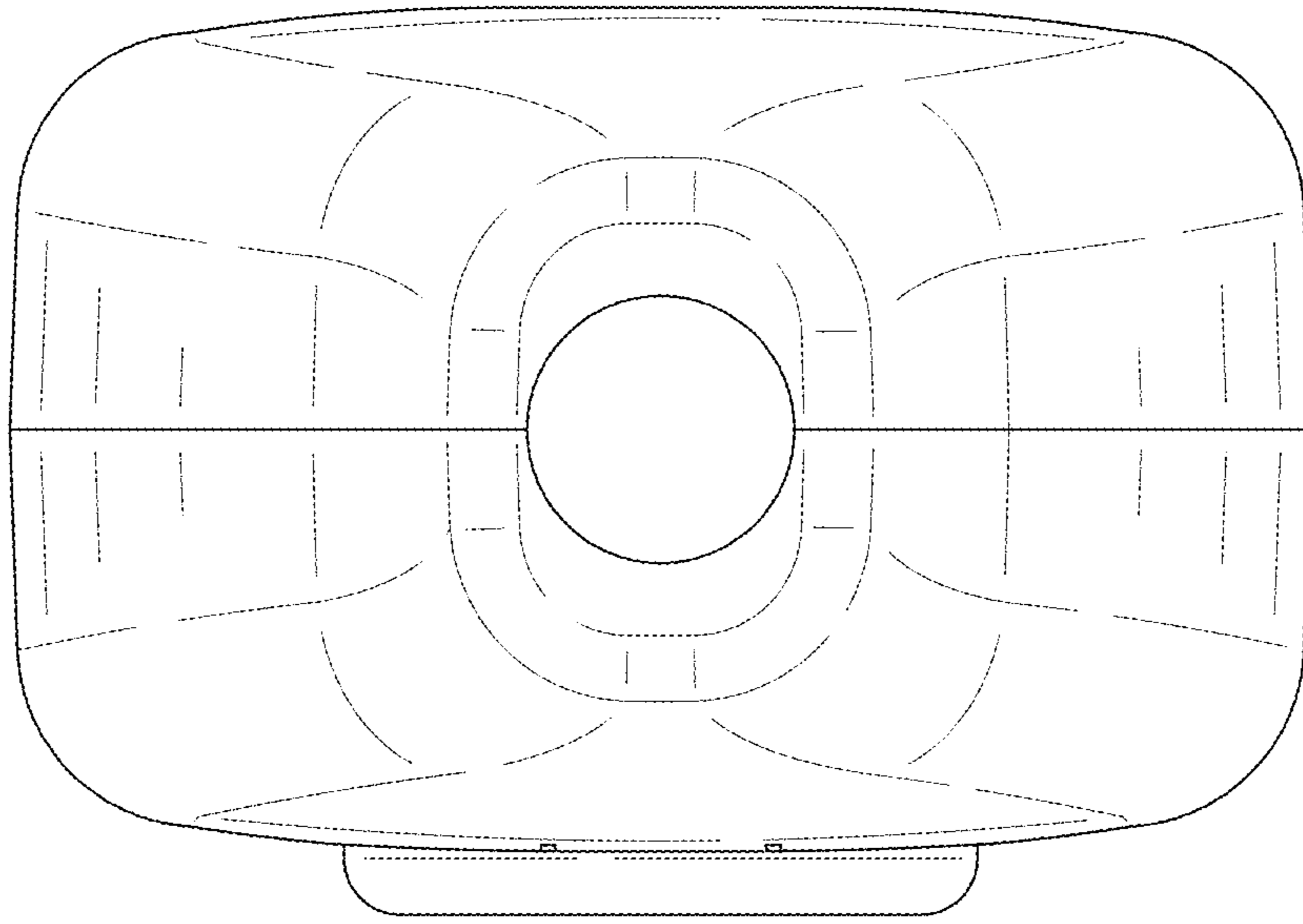


FIG. 7

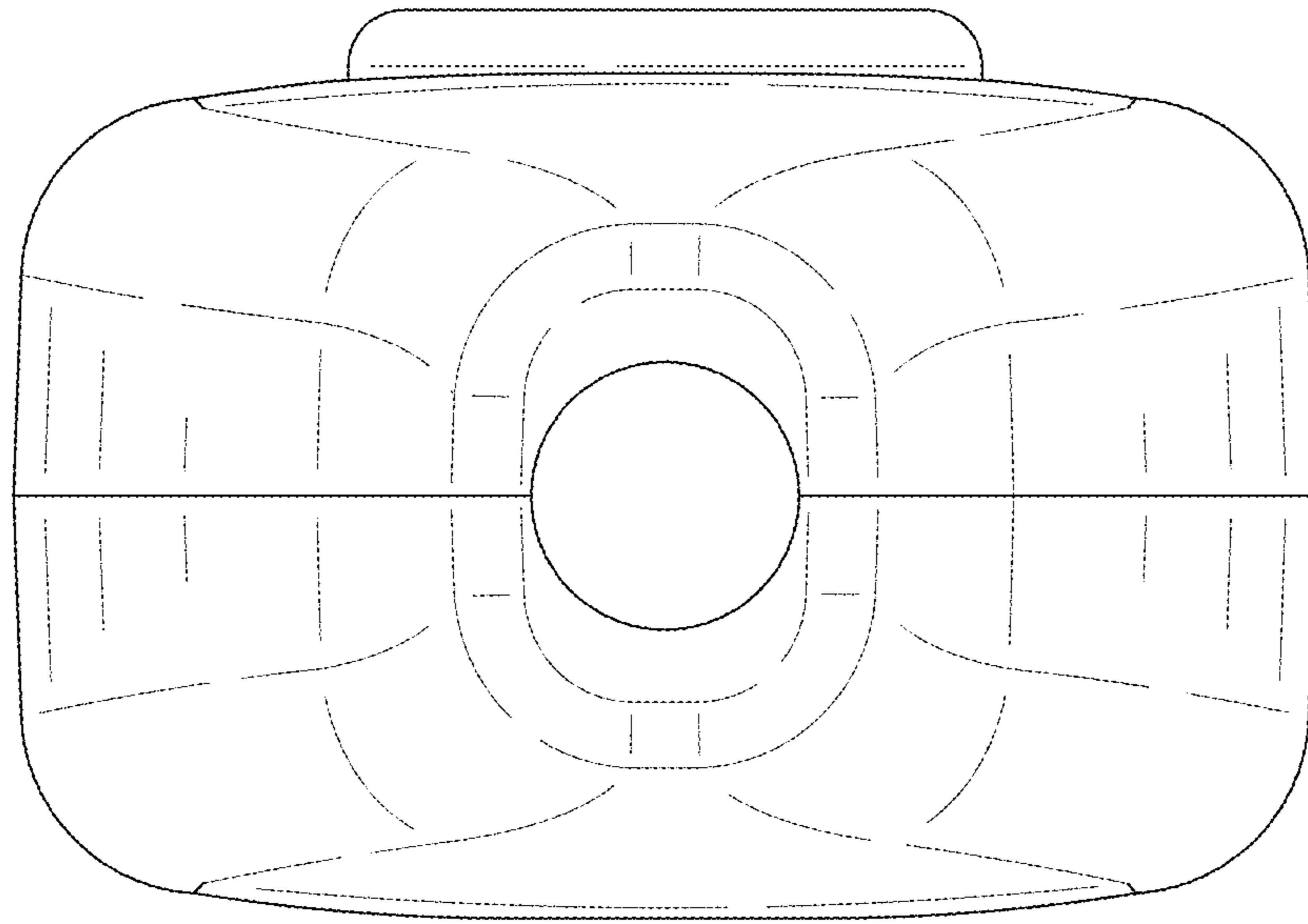


FIG. 8