



US00D946538S

(12) **United States Design Patent**
Oosaka

(10) **Patent No.:** **US D946,538 S**

(45) **Date of Patent:** **** Mar. 22, 2022**

(54) **CAP FOR CONNECTOR**

(71) Applicant: **Japan Aviation Electronics Industry, Limited**, Tokyo (JP)

(72) Inventor: **Junji Oosaka**, Tokyo (JP)

(73) Assignee: **JAPAN AVIATION ELECTRONICS INDUSTRY, LIMITED**, Tokyo (JP)

(**) Term: **15 Years**

(21) Appl. No.: **29/745,007**

(22) Filed: **Aug. 3, 2020**

(30) **Foreign Application Priority Data**

Feb. 20, 2020 (JP) 2020-003242 D

(51) **LOC (13) Cl.** **13-03**

(52) **U.S. Cl.**
USPC **D13/156**

(58) **Field of Classification Search**
USPC D13/133, 154, 156, 158, 177, 184;
D14/436

CPC .. H05K 7/1053; H05K 7/1007; H01R 43/205;
H01R 13/5213; H01R 13/514; H01R
13/453; H01R 12/7076; H01R 12/7058

See application file for complete search history.

(56) **References Cited**

U.S. PATENT DOCUMENTS

D434,771 S *	12/2000	Ohtani	D14/436
D439,455 S *	3/2001	Foster	D13/184
6,533,592 B1 *	3/2003	Chen	H05K 7/1007
				439/135
6,875,022 B2 *	4/2005	Ma	H01R 12/7058
				439/41
7,534,114 B2 *	5/2009	Liao	H01R 13/5213
				439/135
7,575,449 B1 *	8/2009	Cai	H05K 7/1053
				439/135

10,236,617 B2 *	3/2019	Hsu	H01R 13/514
D931,229 S *	9/2021	Saeki	D13/154
11,152,742 B2 *	10/2021	Aoki	H01R 13/5213
2005/0112922 A1 *	5/2005	Ma	H01R 13/453
				439/135
2005/0130472 A1 *	6/2005	Hou	H01R 43/205
				439/135

(Continued)

OTHER PUBLICATIONS

Octopart, Date: Jun. 2006, [online], [site visited Nov. 1, 2021]. Available from internet, URL: <https://datasheet.octopart.com/ST1W008S4ER1500-JAE-Electronics-datasheet-5405342.pdf> (Year: 2006).*

Primary Examiner — Shawn T Gingrich

Assistant Examiner — Bryan Nolan Melvin

(74) *Attorney, Agent, or Firm* — Manabu Kanesaka

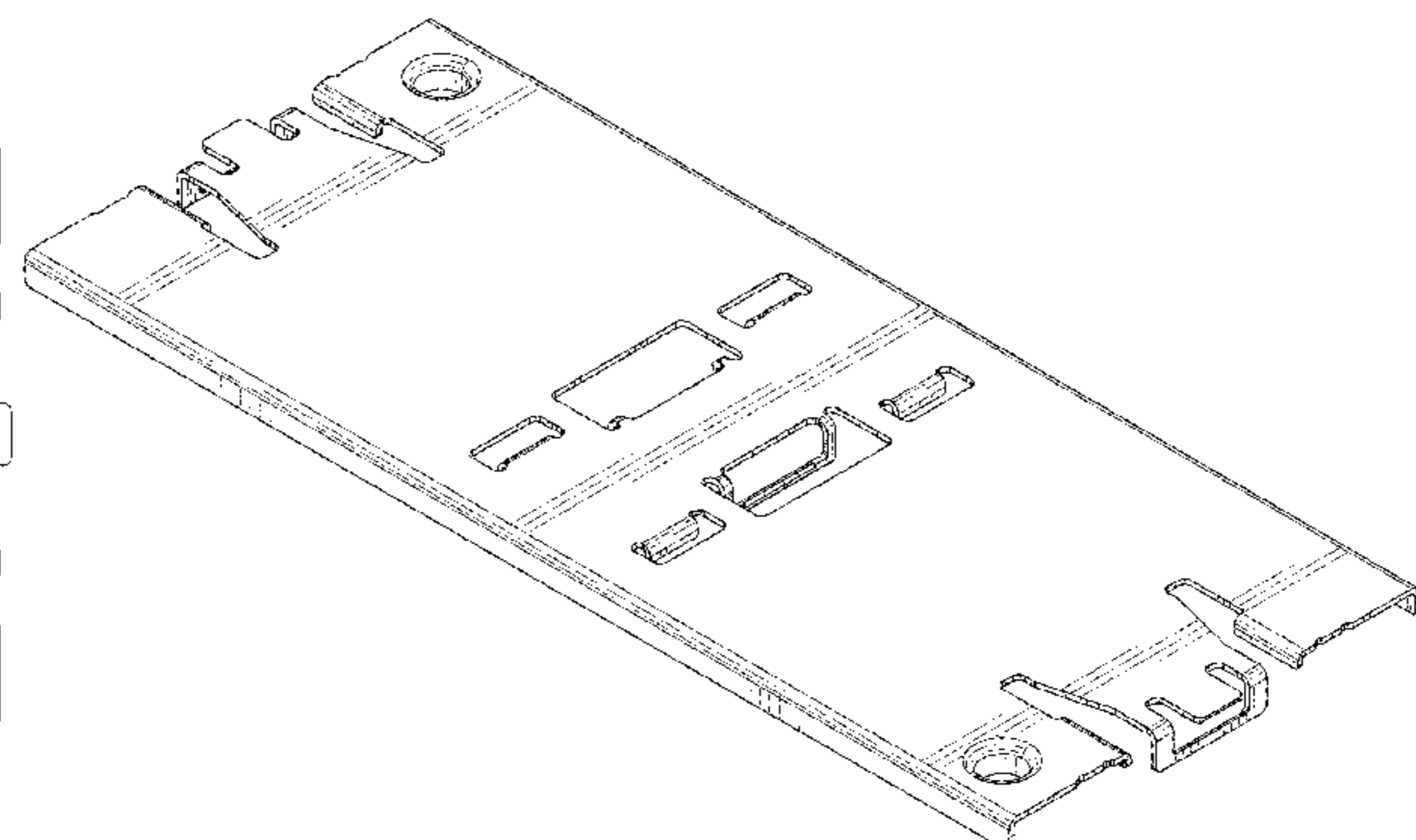
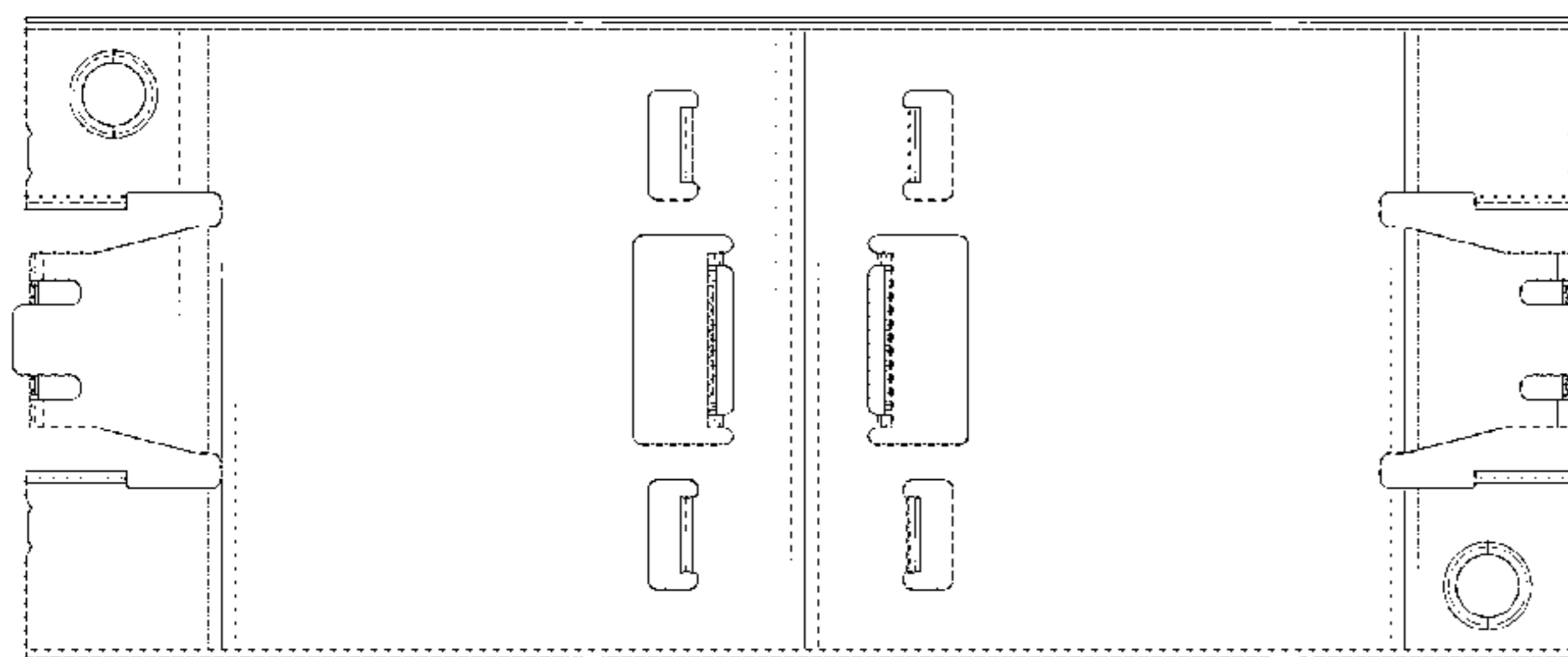
(57) **CLAIM**

The ornamental design for a cap for connector, as shown and described.

DESCRIPTION

FIG. 1 is a front elevational view of a cap for connector showing my new design;
 FIG. 2 is a rear elevational view thereof;
 FIG. 3 is a right side elevational view thereof;
 FIG. 4 is a left side elevational view thereof;
 FIG. 5 is a top plan view thereof;
 FIG. 6 is a bottom plan view thereof;
 FIG. 7 is a perspective view showing a front, top and right side thereof;
 FIG. 8 is a perspective view showing a rear, bottom and left side thereof;
 FIG. 9 is a perspective view showing a front, right and bottom side thereof; and,
 FIG. 10 is a perspective view showing a rear, left and top side thereof.

1 Claim, 5 Drawing Sheets



(56)

References Cited

U.S. PATENT DOCUMENTS

2007/0184690 A1* 8/2007 Ma H01R 12/7076
439/135
2008/0119082 A1* 5/2008 Cheng H01R 43/205
439/345

* cited by examiner

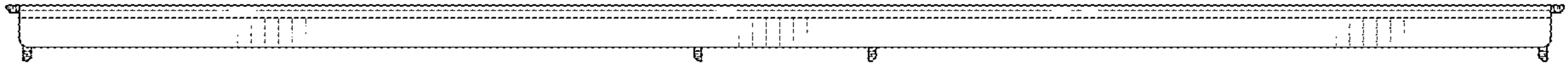


FIG. 1

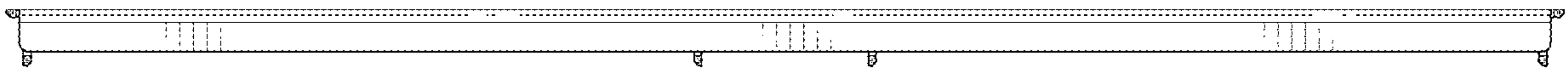


FIG. 2

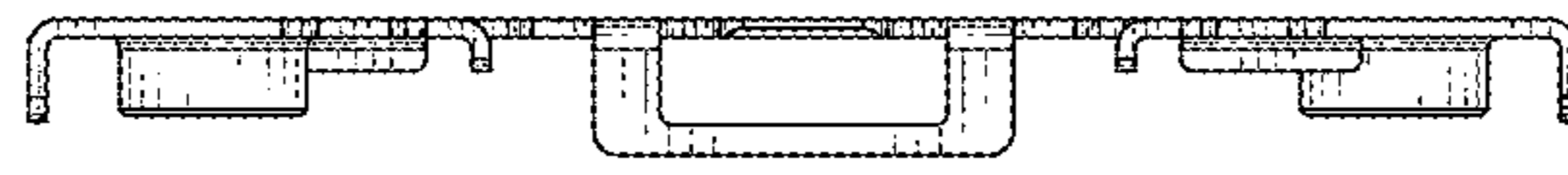


FIG. 3

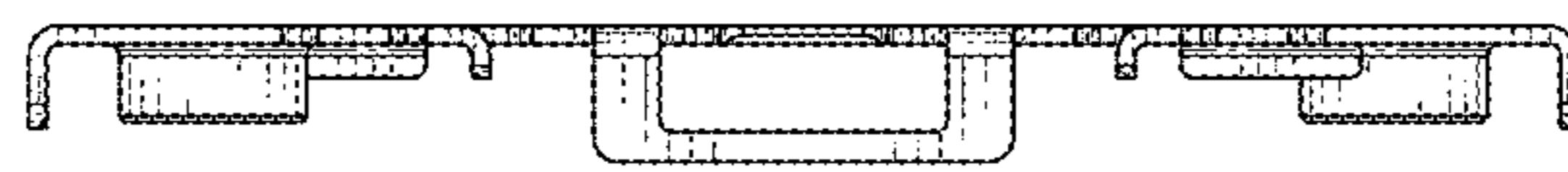


FIG. 4

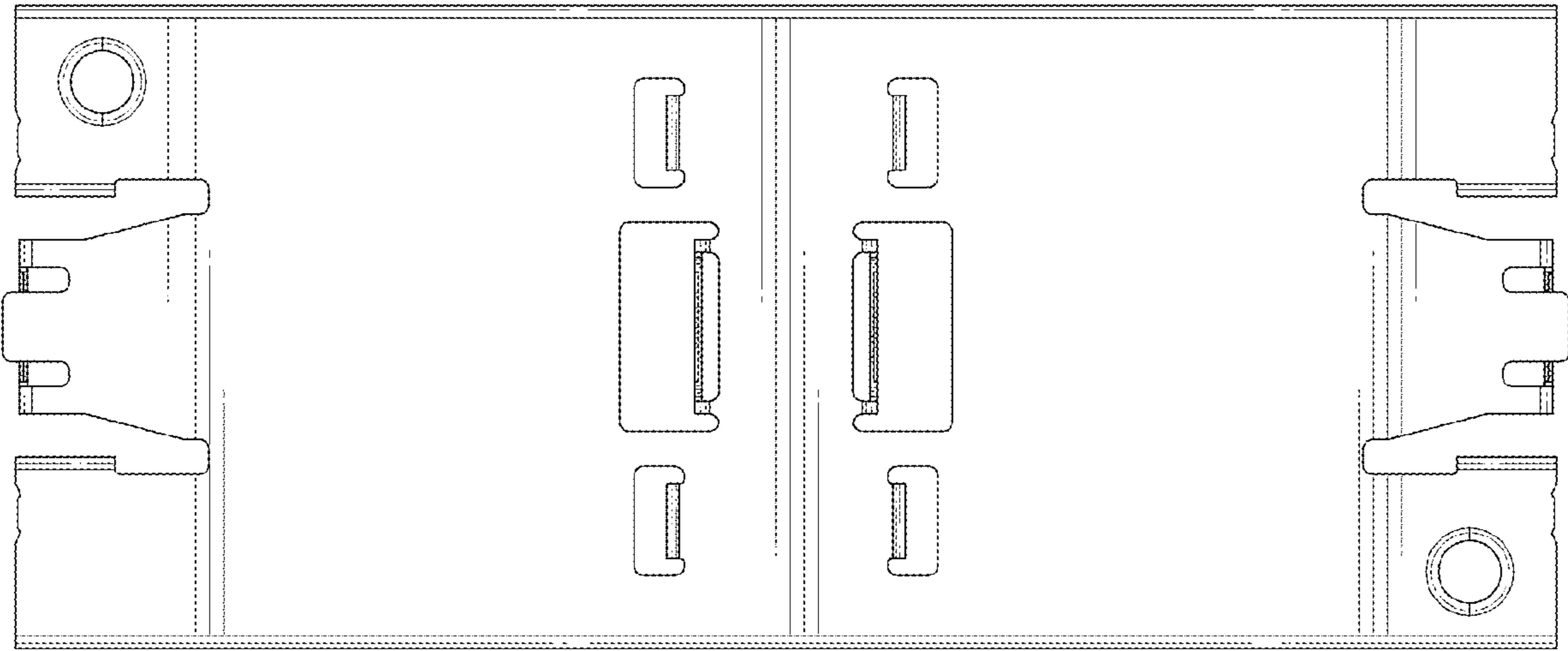


FIG. 5

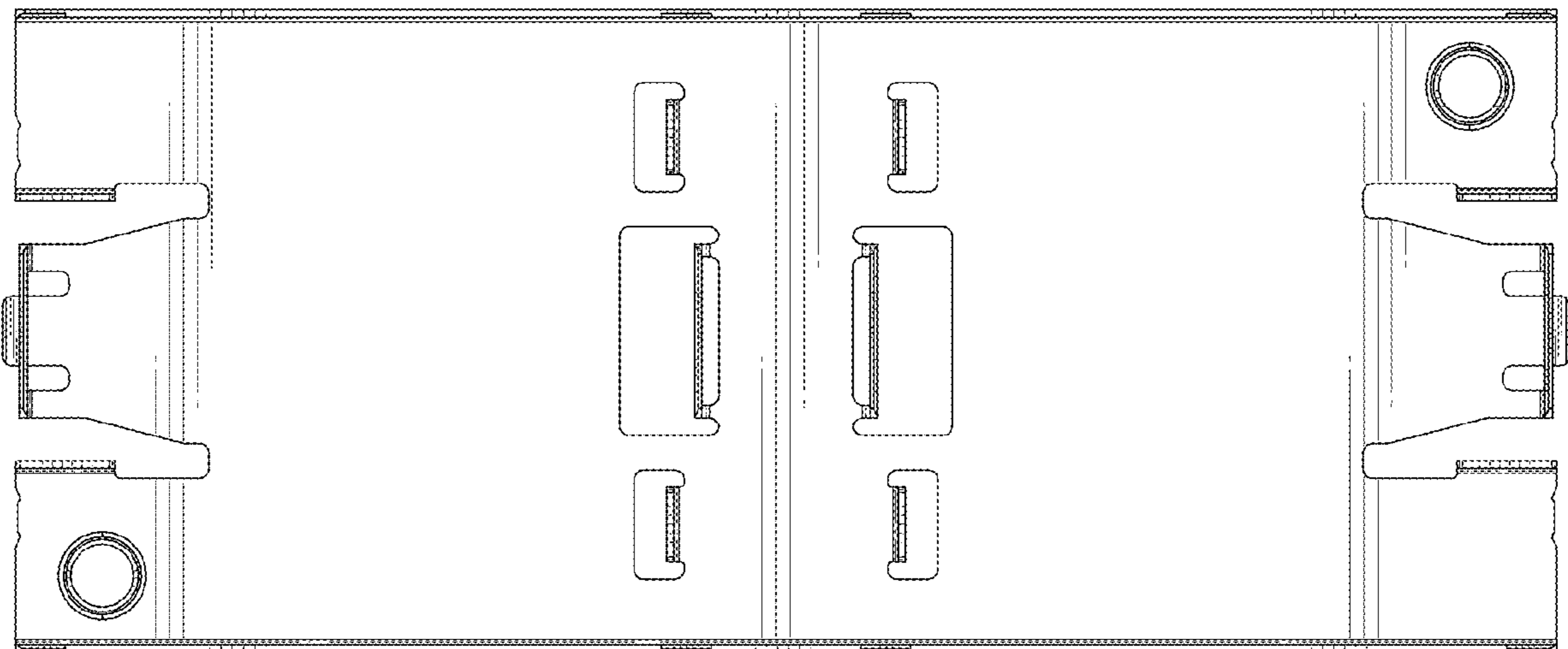


FIG. 6

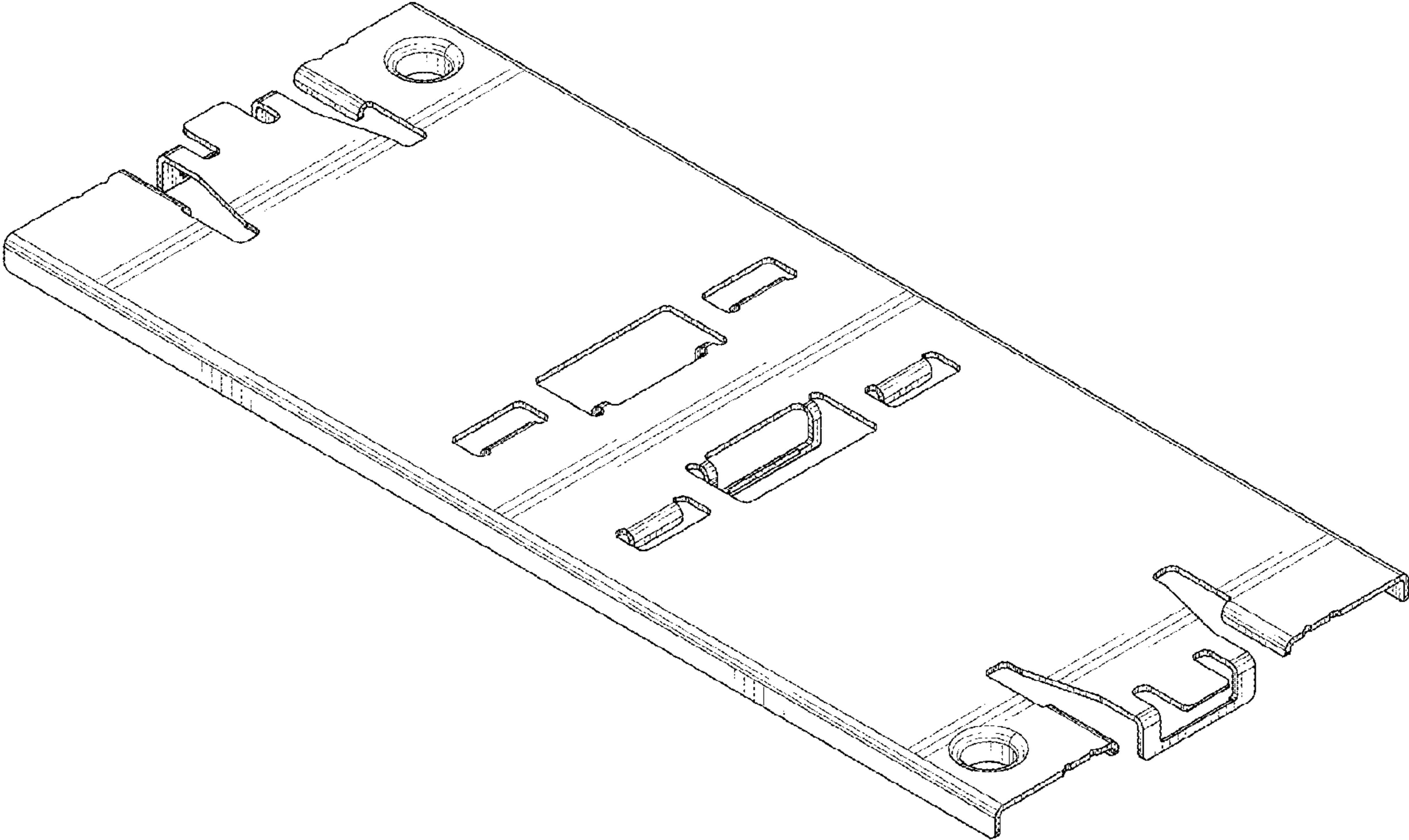


FIG. 7

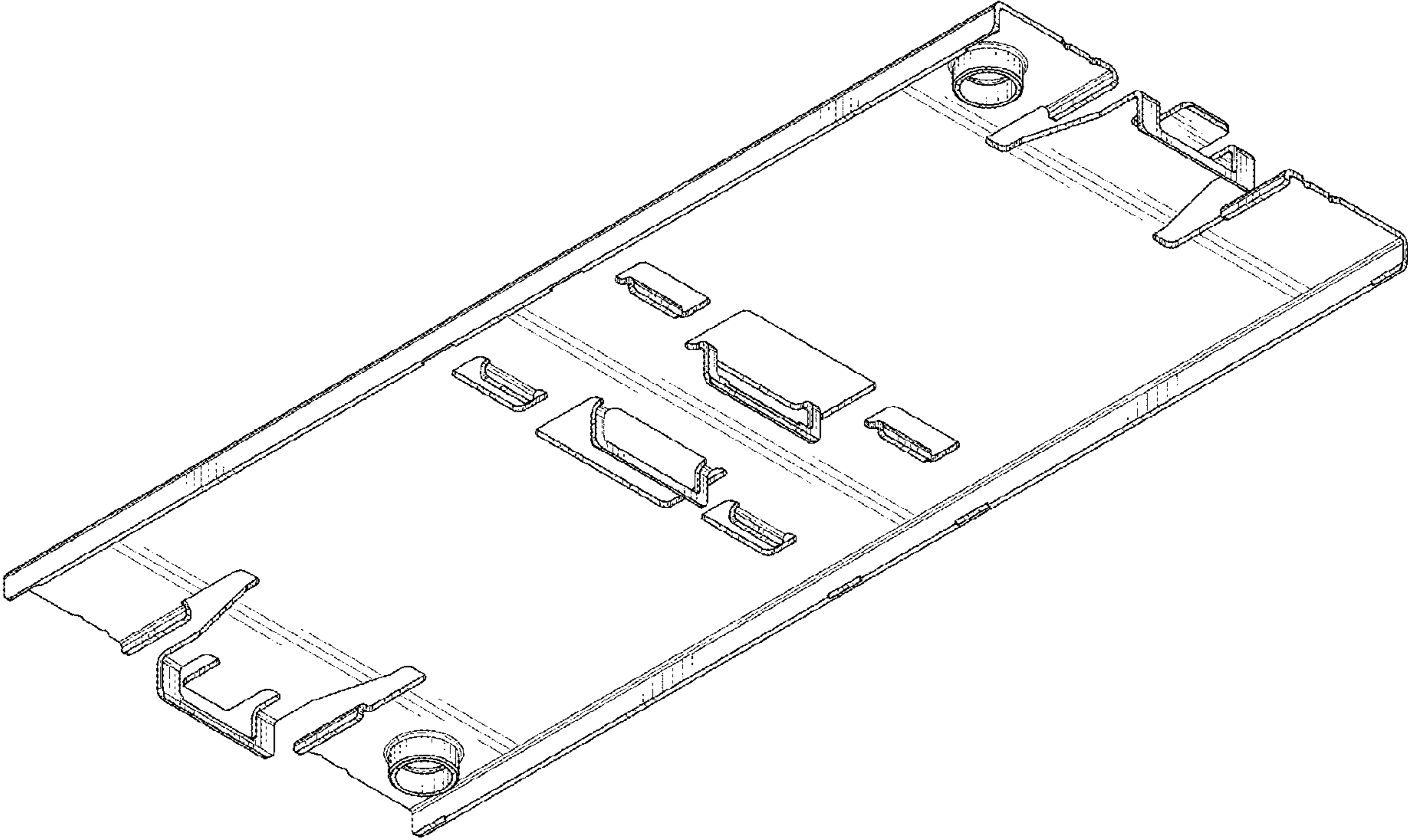


FIG. 8

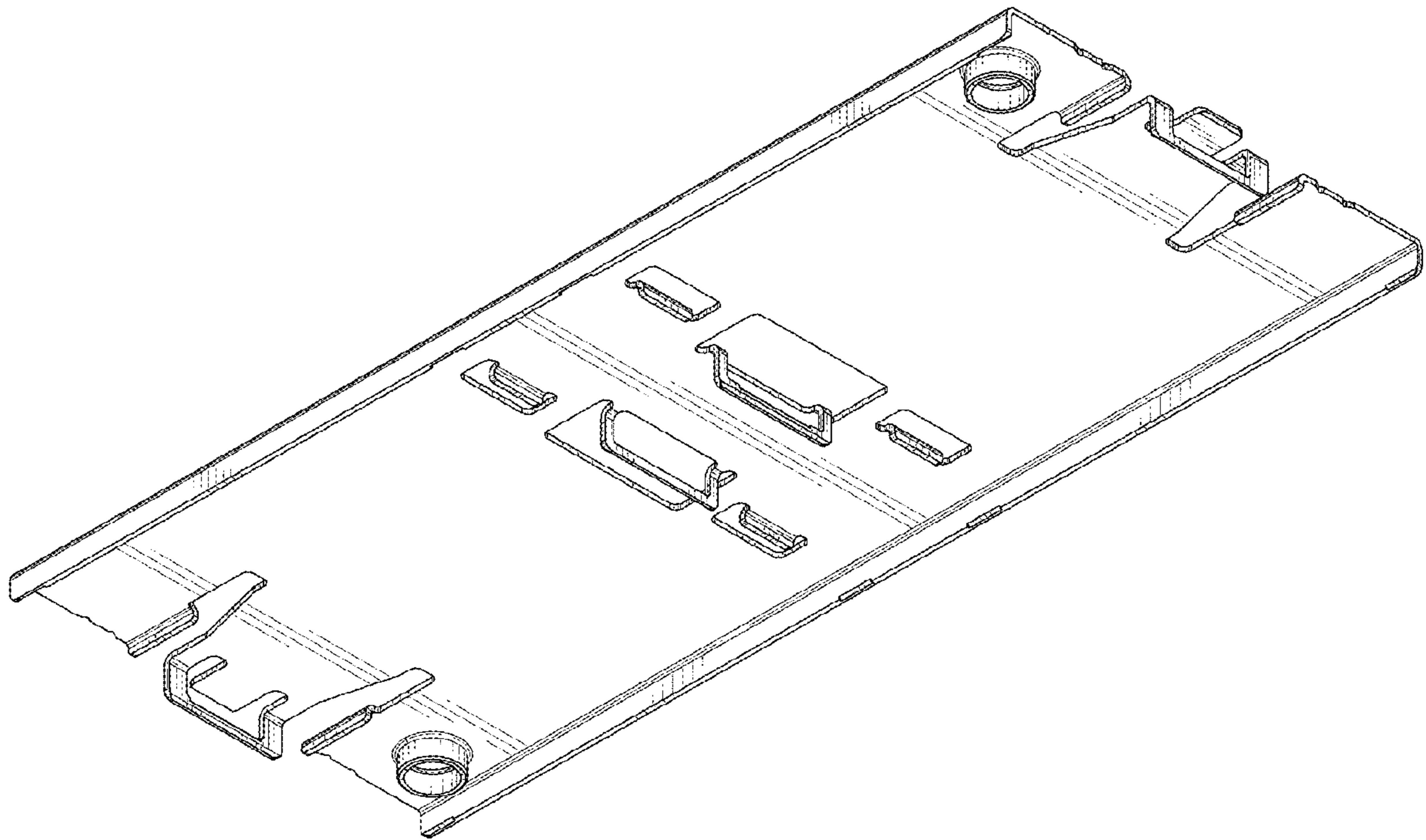


FIG. 9

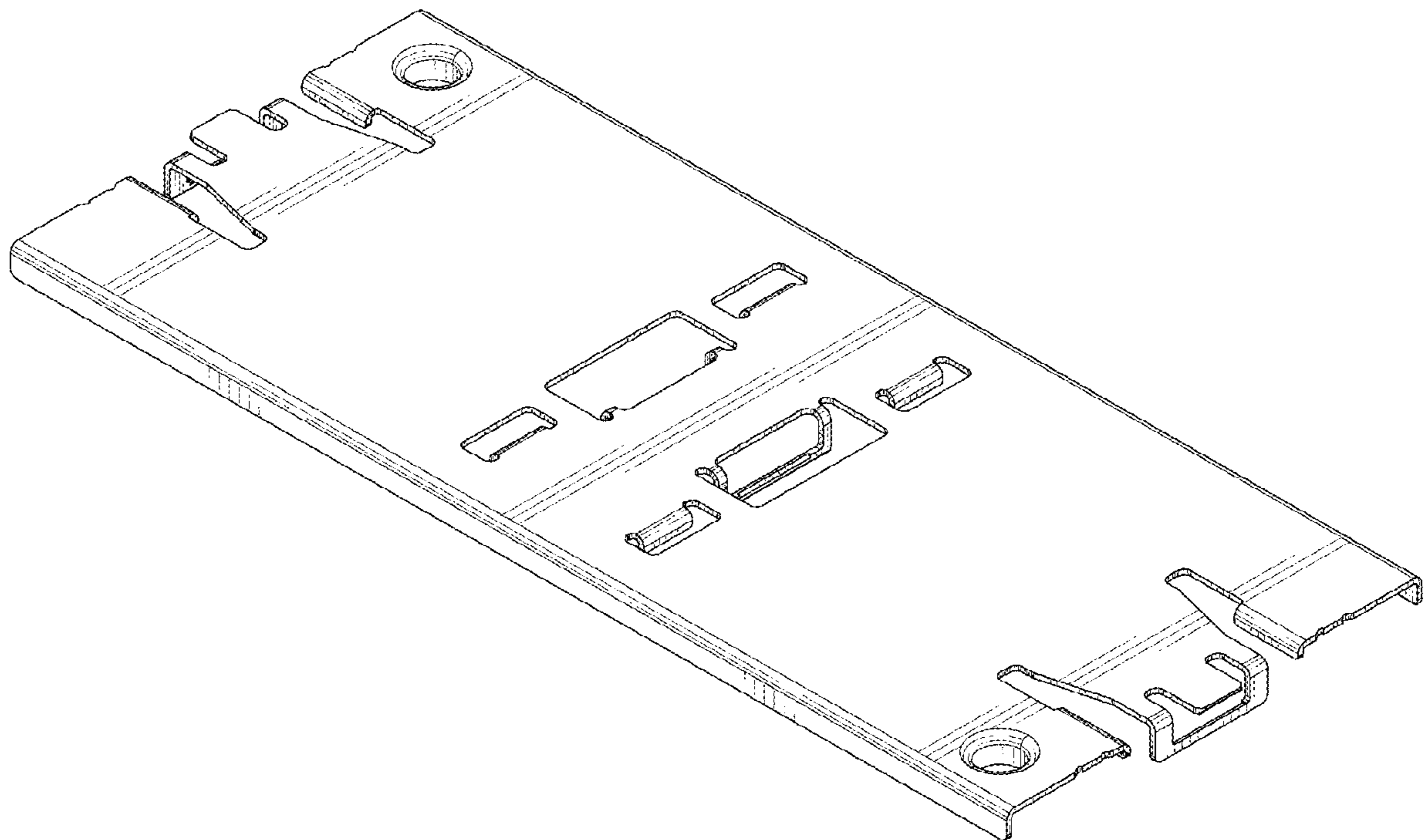


FIG. 10