



US00D946533S

(12) **United States Design Patent**
Conlon

(10) **Patent No.:** **US D946,533 S**
(45) **Date of Patent:** **** Mar. 22, 2022**

(54) **PIN ELEMENT**

FOREIGN PATENT DOCUMENTS

- (71) Applicant: **Cummins Ltd**, London (GB)
- (72) Inventor: **Karl Conlon**, Huddersfield (GB)
- (73) Assignee: **CUMMINS LTD.**, London (GB)
- (**) Term: **15 Years**

GB	2462115 A	1/2010
GB	2525240 A	10/2015
WO	2009118528 A1	10/2009
WO	2015094339 A1	6/2015
WO	2015170106 A1	11/2015

- (21) Appl. No.: **29/734,547**
- (22) Filed: **May 13, 2020**

OTHER PUBLICATIONS

International Search Report and Written Opinion, issued by the European Patent Office, dated Oct. 22, 2019, for International Application PCT/GB2019/051333; 17 pages.
Search Report issued by the United Kingdom Intellectual Property Office, dated Nov. 16, 2018, for United Kingdom Application No. GB1807881.6; 4 pages.

(30) **Foreign Application Priority Data**

Nov. 15, 2019 (EM) 007242326-0001

* cited by examiner

- (51) **LOC (13) Cl.** **13-03**
- (52) **U.S. Cl.**
USPC **D13/154**
- (58) **Field of Classification Search**
USPC D13/110, 112, 118, 122, 123, 133, 146,
D13/154, 155, 156, 173, 199
CPC F16B 19/04; F16B 23/00; H01R 13/04;
H01R 13/52; H01R 13/58; H01R 13/66;
H02H 5/04
See application file for complete search history.

Primary Examiner — Derrick E Holland
(74) *Attorney, Agent, or Firm* — Faegre, Drinker, Biddle & Reath, LLP

(57) **CLAIM**

The ornamental design for a pin element, as shown and described.

(56) **References Cited**

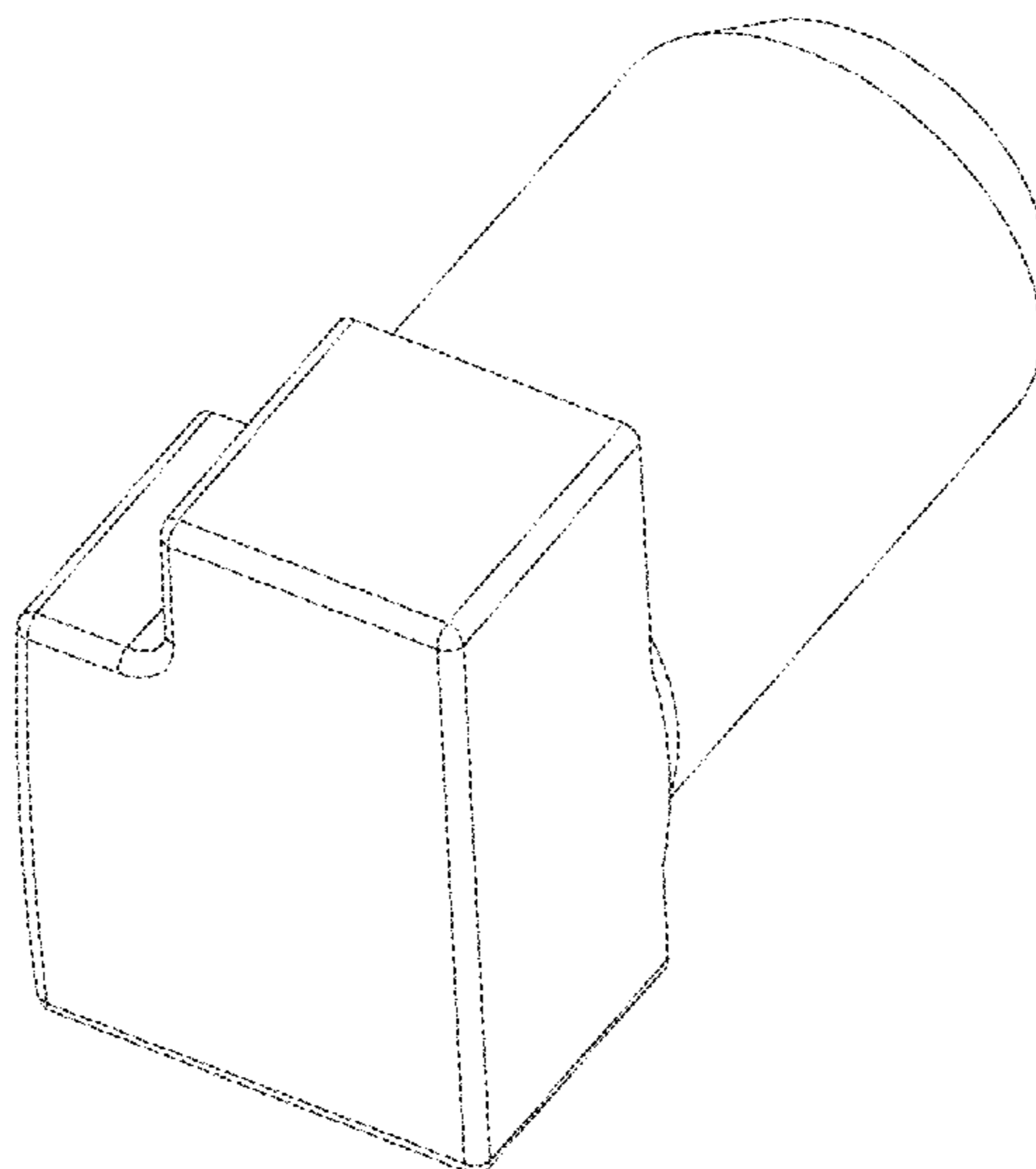
U.S. PATENT DOCUMENTS

DESCRIPTION

- D292,667 S * 11/1987 Simpson D8/330
- D364,548 S * 11/1995 Platt D8/331
- D442,547 S * 5/2001 Takebuchi D13/117
- 6,267,622 B1 * 7/2001 Nagata H01R 12/52
439/603
- D620,451 S * 7/2010 Corless D13/154
- D708,139 S * 7/2014 Yoo D13/133
- D881,818 S * 4/2020 Obata D13/133
- 2015/0086036 A1 * 3/2015 Wang H04R 1/08
381/91
- 2015/0133000 A1 * 5/2015 Kim H01R 13/2428
439/700
- 2019/0356076 A1 * 11/2019 Obata H01R 13/5221

FIG. 1 is a perspective view of a pin element showing my new design;
FIG. 2 is a second perspective view thereof;
FIG. 3 is a front view thereof;
FIG. 4 is a third perspective view thereof;
FIG. 5 is a fourth perspective view thereof;
FIG. 6 is a fifth perspective view thereof;
FIG. 7 is a sixth perspective view thereof; and,
FIG. 8 is a seventh perspective view thereof.

1 Claim, 8 Drawing Sheets



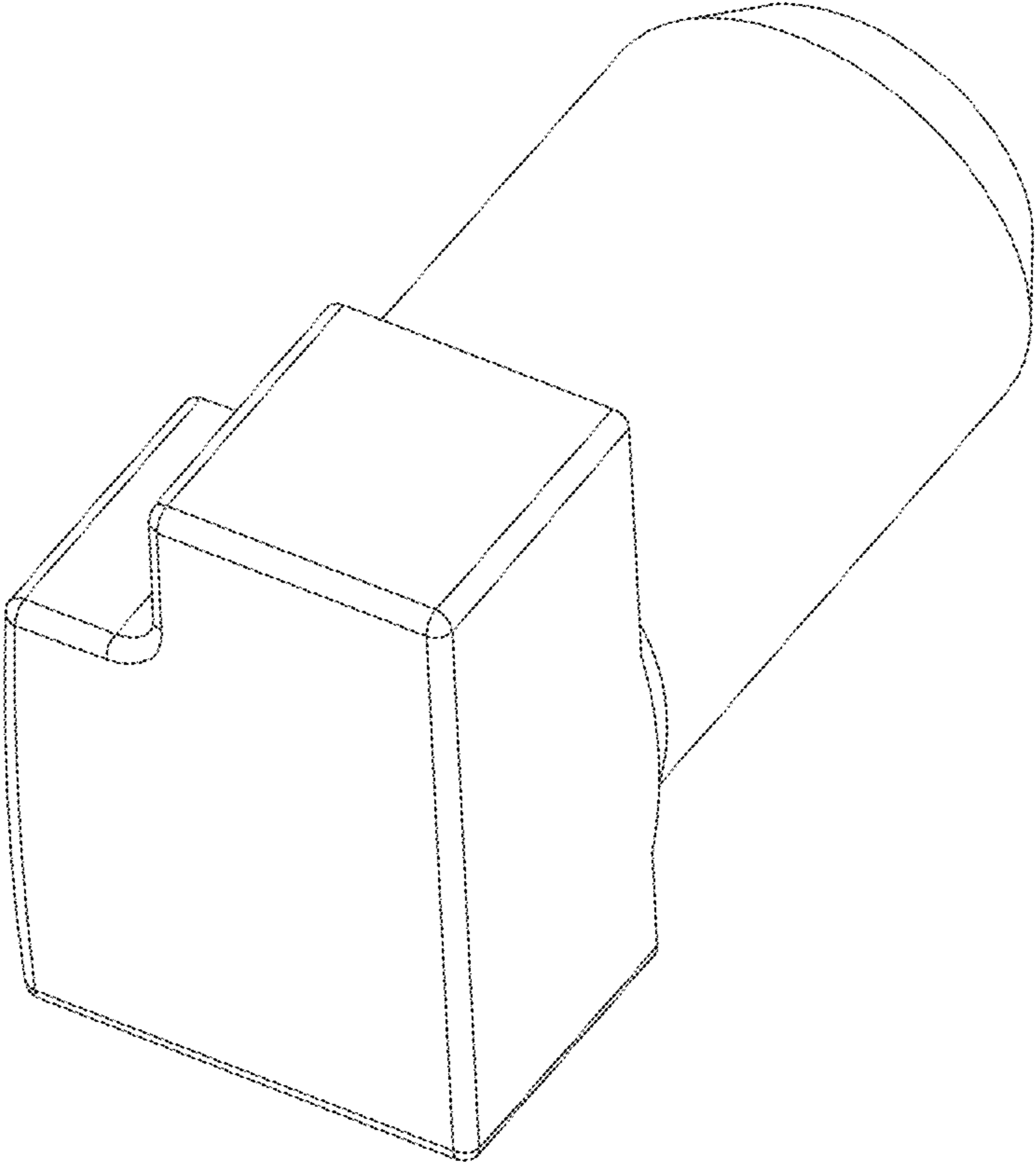


FIG. 1

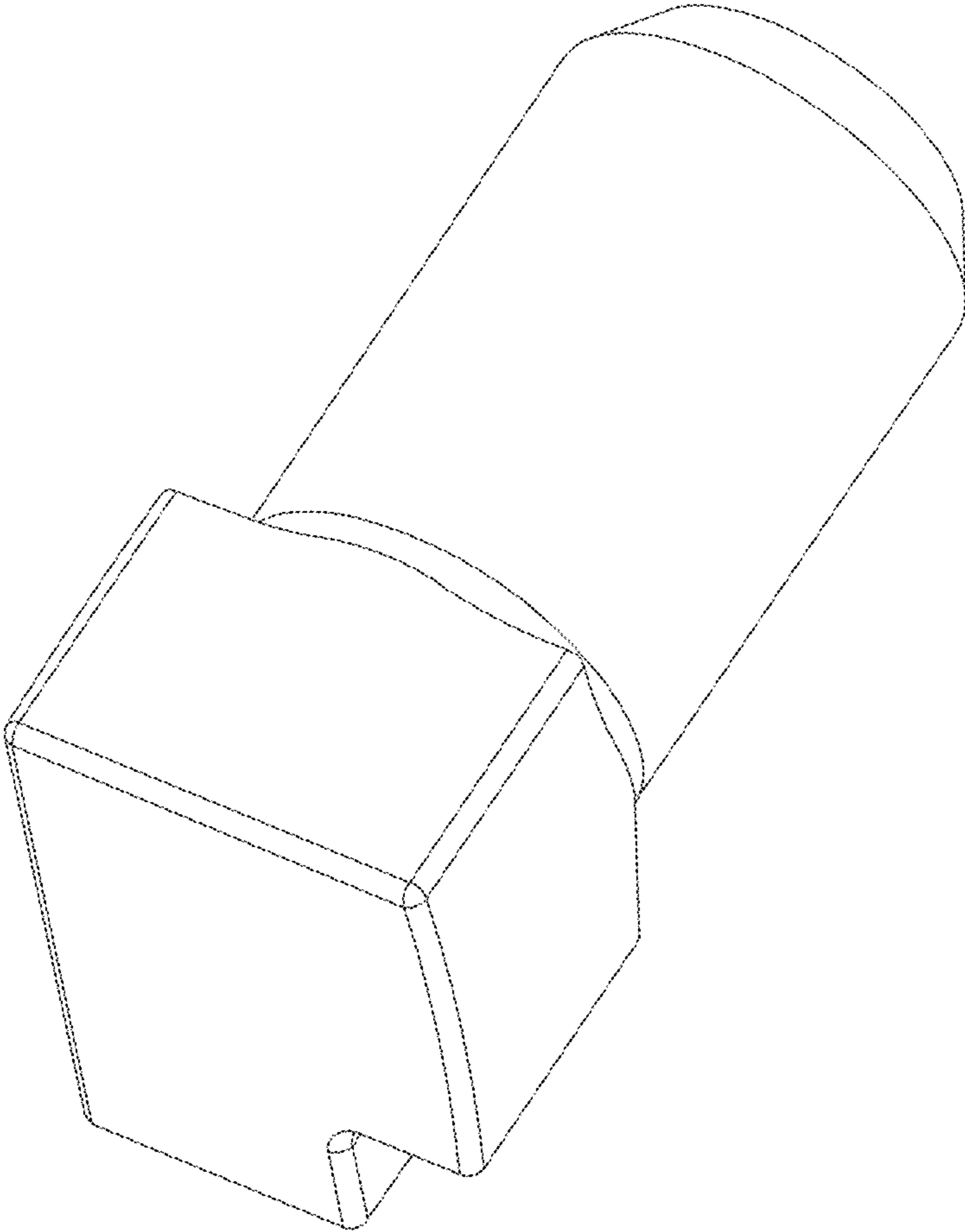


FIG. 2

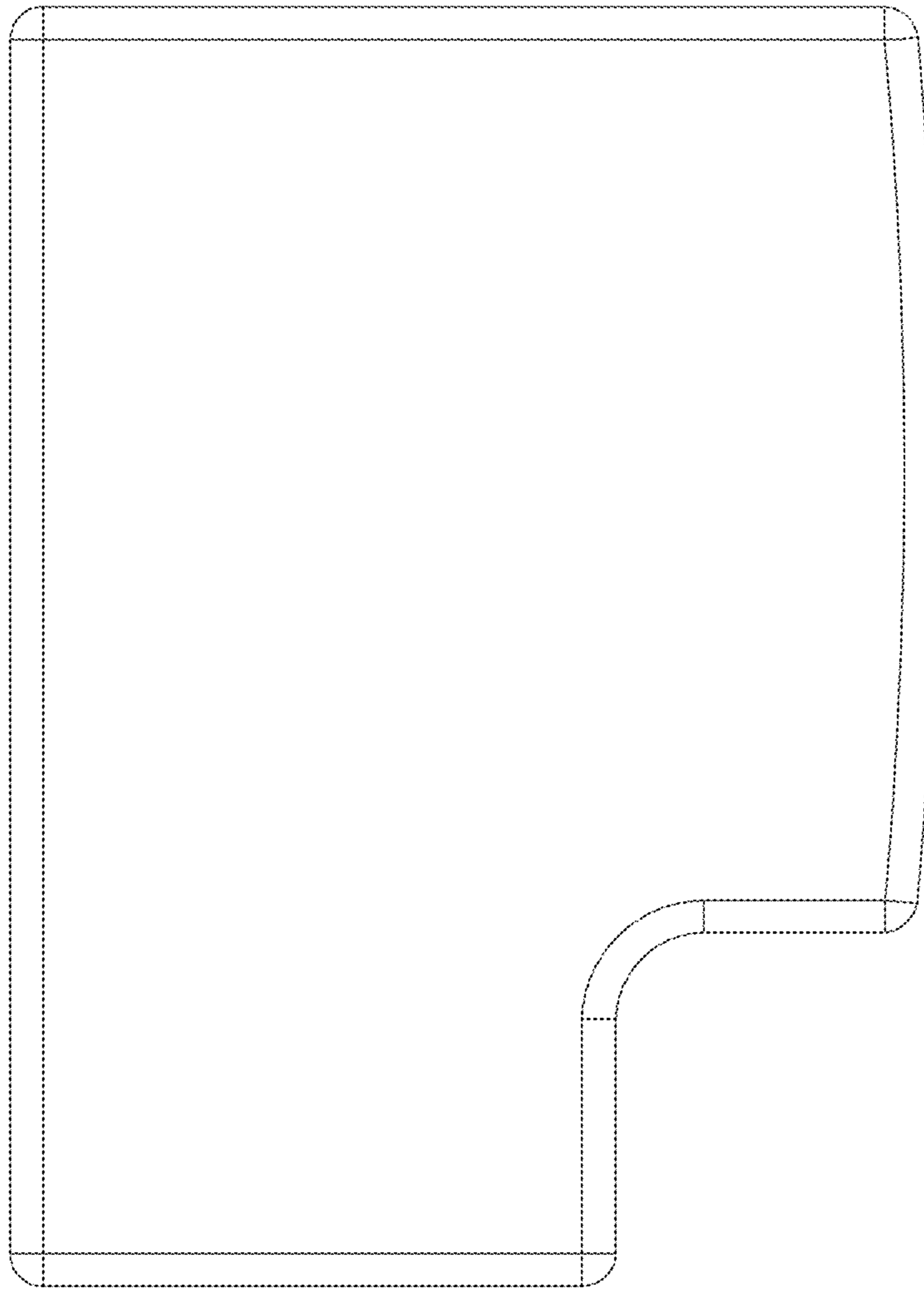


FIG. 3

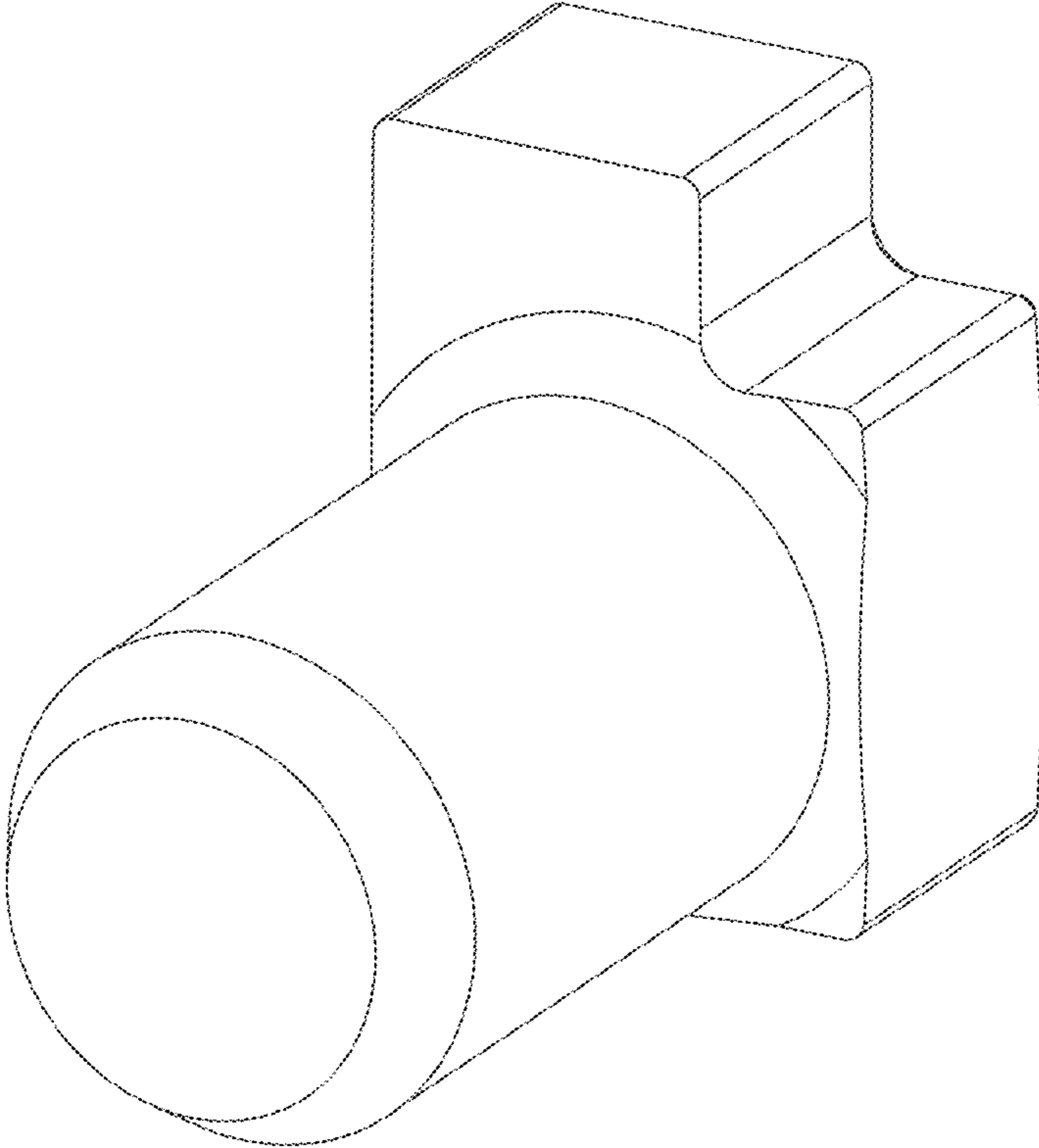


FIG. 4

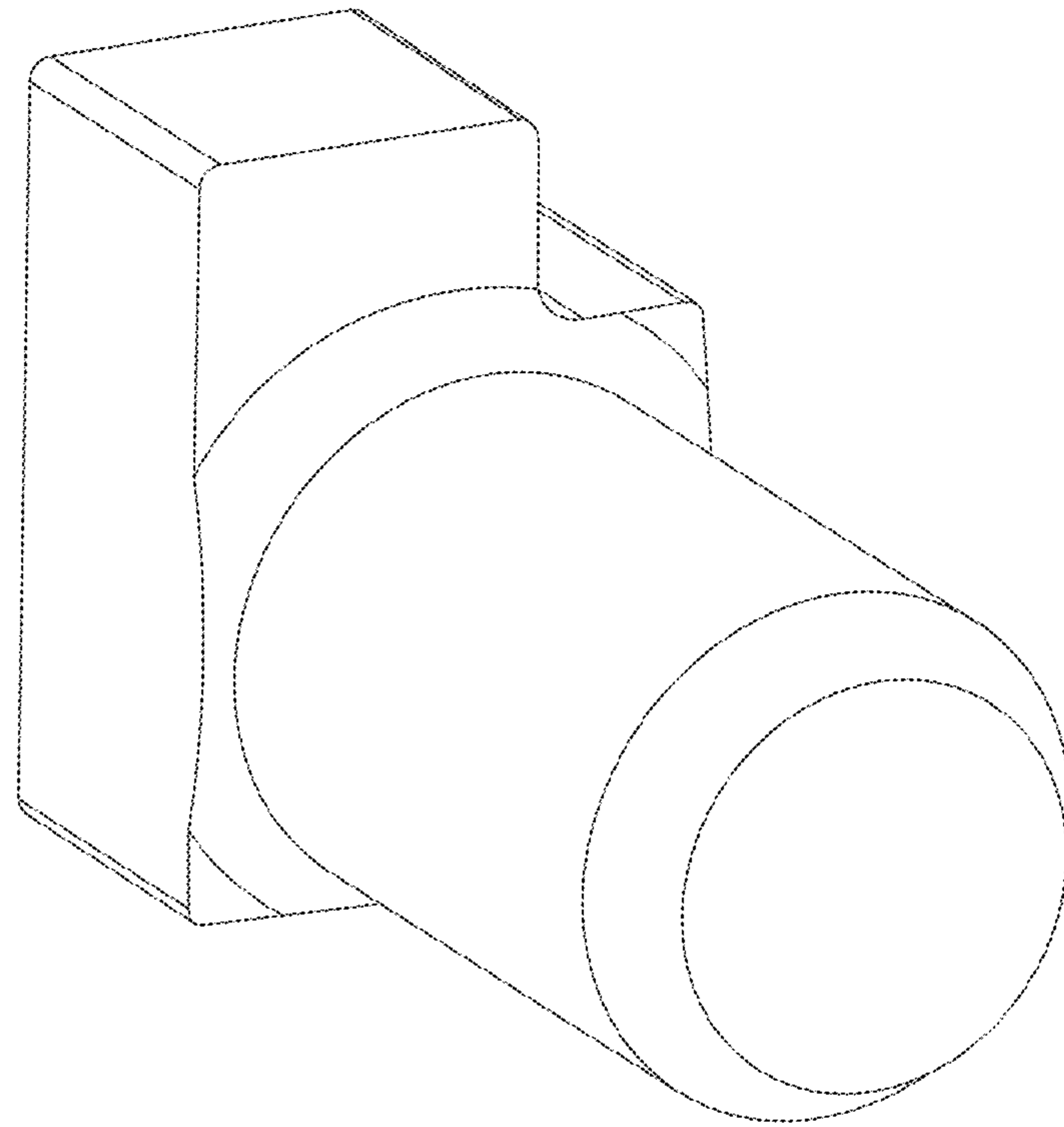


FIG. 5

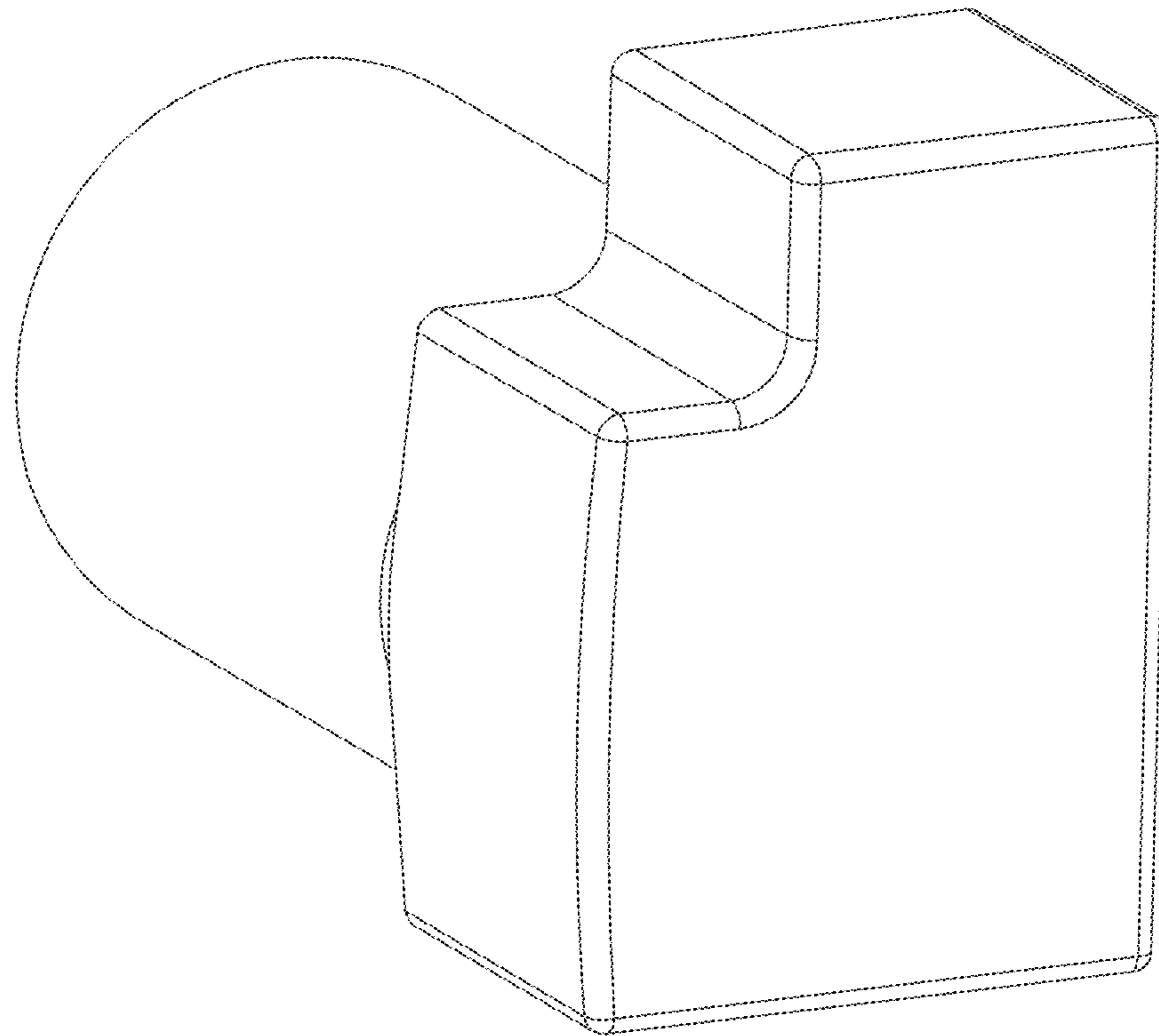


FIG. 6

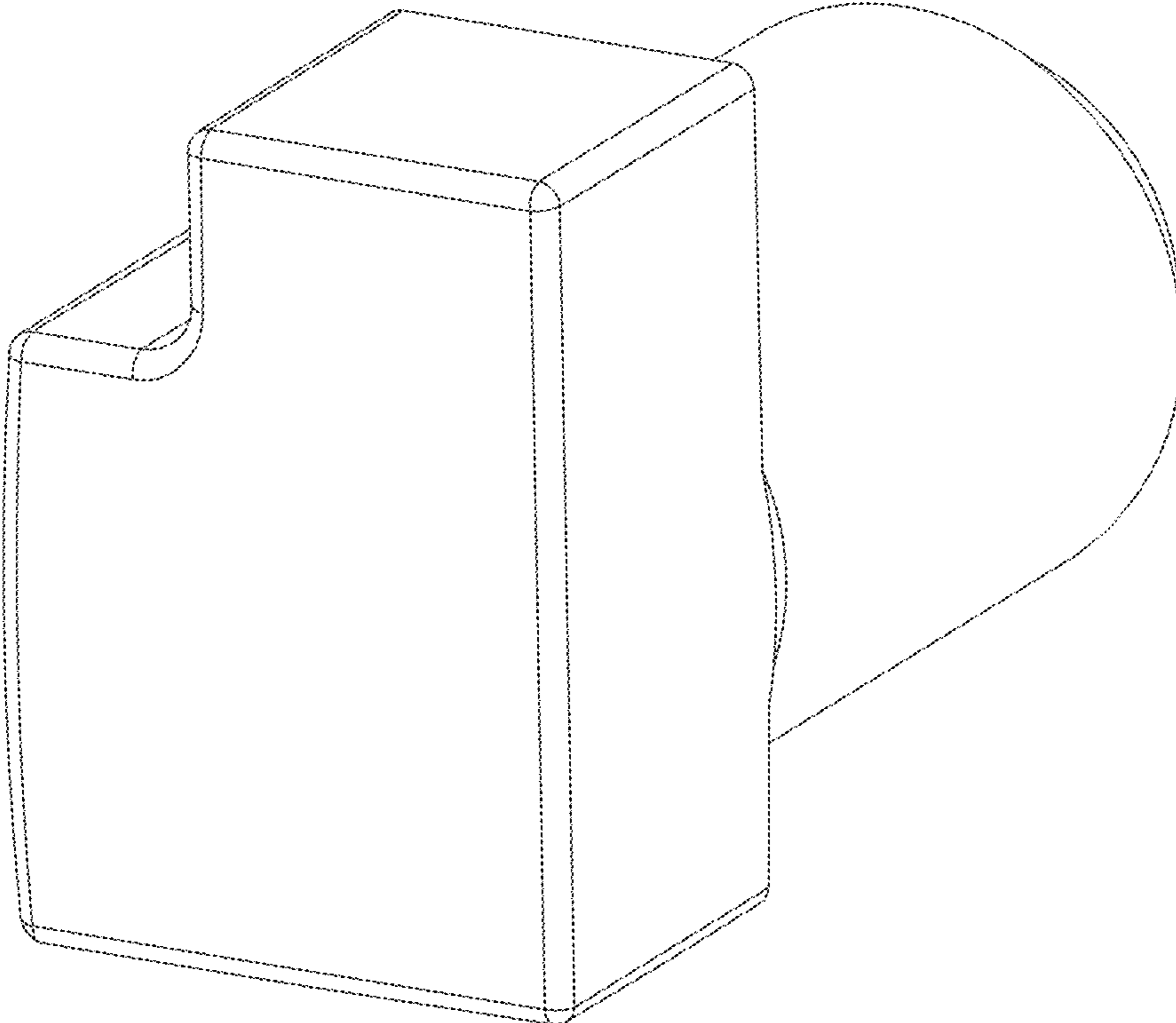


FIG. 7

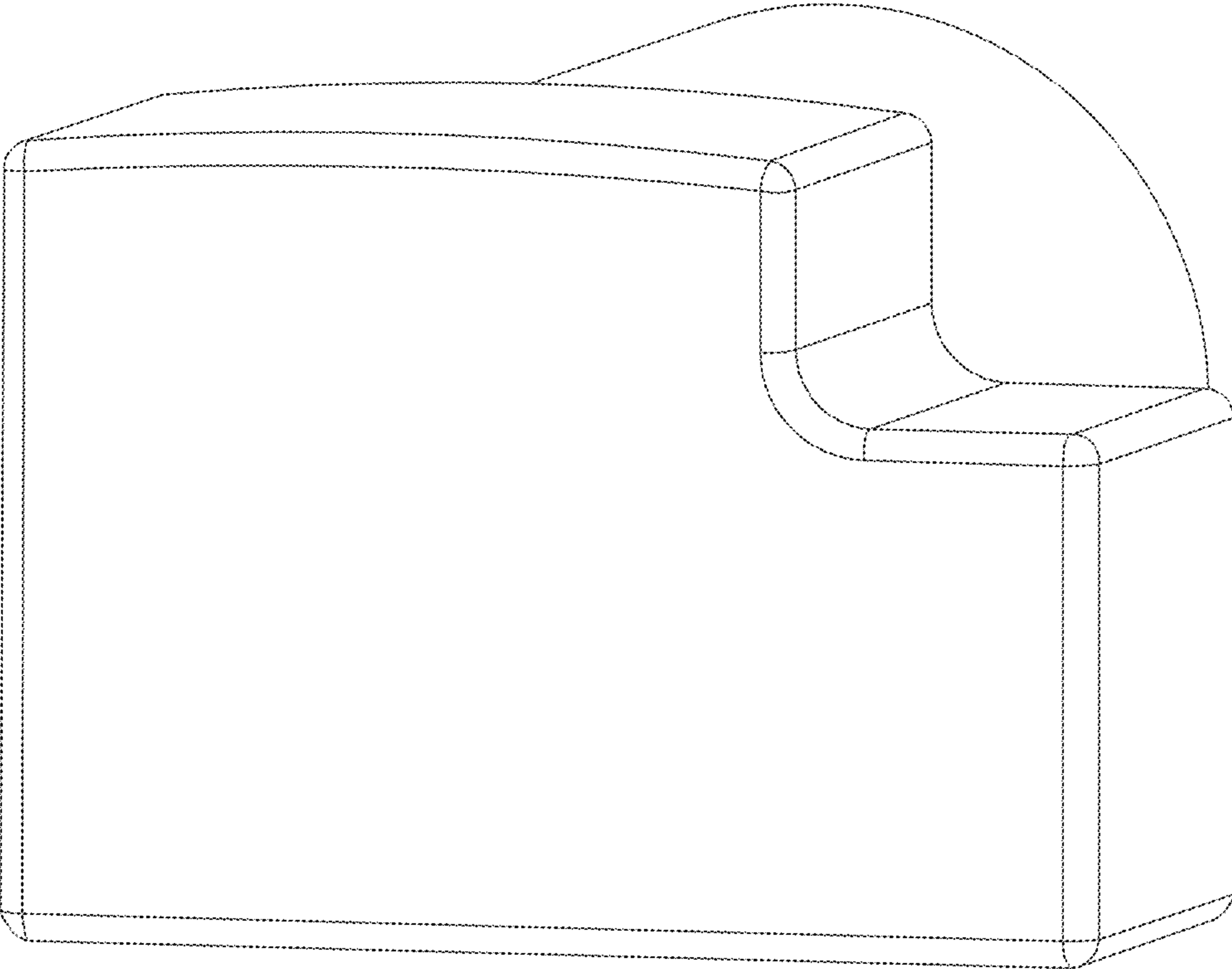


FIG. 8