



US00D946531S

(12) **United States Design Patent** (10) **Patent No.:** **US D946,531 S**  
**Lin** (45) **Date of Patent:** **\*\* \*Mar. 22, 2022**

- (54) **MULTI-DIRECTION SOCKET**
- (71) Applicant: **Chia-Hua Lin**, New Taipei (TW)
- (72) Inventor: **Chia-Hua Lin**, New Taipei (TW)
- (\* ) Notice: This patent is subject to a terminal disclaimer.
- (\*\* ) Term: **15 Years**
- (21) Appl. No.: **29/697,106**
- (22) Filed: **Jul. 3, 2019**
- (51) **LOC (13) Cl.** ..... **13-03**
- (52) **U.S. Cl.**  
USPC ..... **D13/137.2**
- (58) **Field of Classification Search**  
USPC ..... D13/103, 107, 108, 113, 118, 123, 133,  
D13/137.1–137.4, 138.1, 138.2,  
D13/139.1–139.7, 153, 154, 155  
CPC ..... H01R 25/165; H01R 9/00; H01R 9/22;  
H01R 9/226; H01R 13/00; H01R 13/03;  
H01R 13/04; H01R 13/10; H01R 13/35;  
H01R 13/502; H01R 13/631; H01R  
13/6666; H01R 25/006; H01R 13/6675;  
H05K 5/00; H05K 5/03; G06F 1/266  
See application file for complete search history.

(56) **References Cited**

**U.S. PATENT DOCUMENTS**

D399,825 S *	10/1998	Heung	.....	D13/139.6
D547,272 S *	7/2007	Ng	.....	D13/137.2
D564,451 S *	3/2008	Fornino	.....	D13/139.8
D663,691 S *	7/2012	Magee, Jr.	.....	D13/139.8
D736,710 S *	8/2015	Lin	.....	D13/137.2
D775,081 S *	12/2016	Xu	.....	D13/139.6
D786,797 S *	5/2017	Hsu	.....	D13/137.2
D807,827 S *	1/2018	Lu	.....	D13/137.2
D807,828 S *	1/2018	Xu	.....	D13/137.2

D807,831 S *	1/2018	Xu	.....	D13/139.8
D818,971 S *	5/2018	Peng	.....	D13/171
D878,299 S *	3/2020	Lyu	.....	D13/139.8
D881,819 S *	4/2020	Shan	.....	D13/139.7
D891,377 S *	7/2020	Ahrari	.....	D13/168
D895,554 S *	9/2020	Jianting	.....	D13/137.2
2018/0316201 A1 *	11/2018	Miller	.....	H01R 27/02

**OTHER PUBLICATIONS**

6-Outlet Wall Adapter, available date Jul. 19, 2013, [online], [site visited Nov. 4, 2020], Available from Internet URL: <https://www.amazon.com/Space-Saving-Side-Access-Furniture-SPS1060T-17/dp/B00560ZIEW>.\*

\* cited by examiner

*Primary Examiner* — Leanne Was-Englehart  
(74) *Attorney, Agent, or Firm* — Chun-Ming Shih;  
Lanway IPR Services

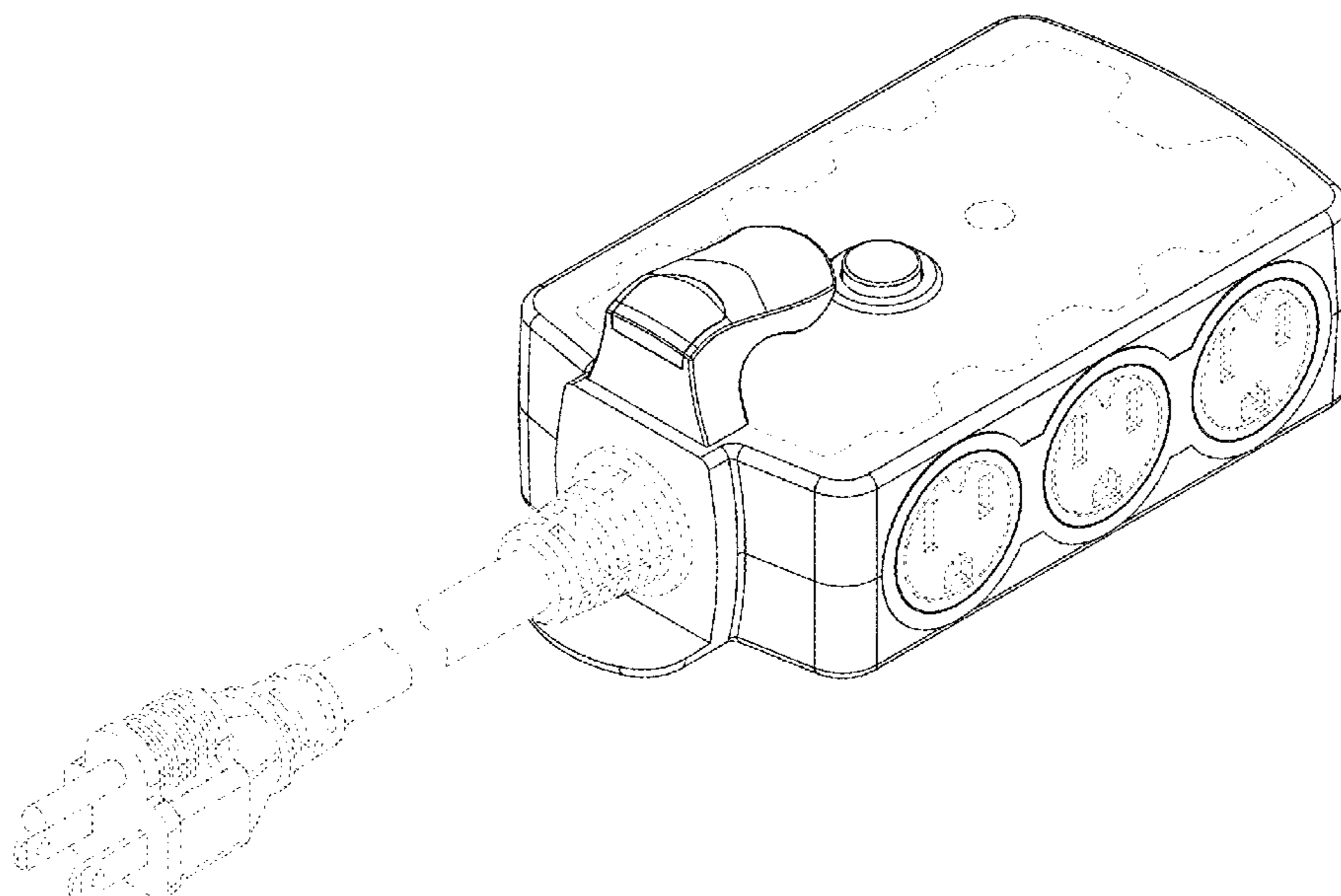
(57) **CLAIM**

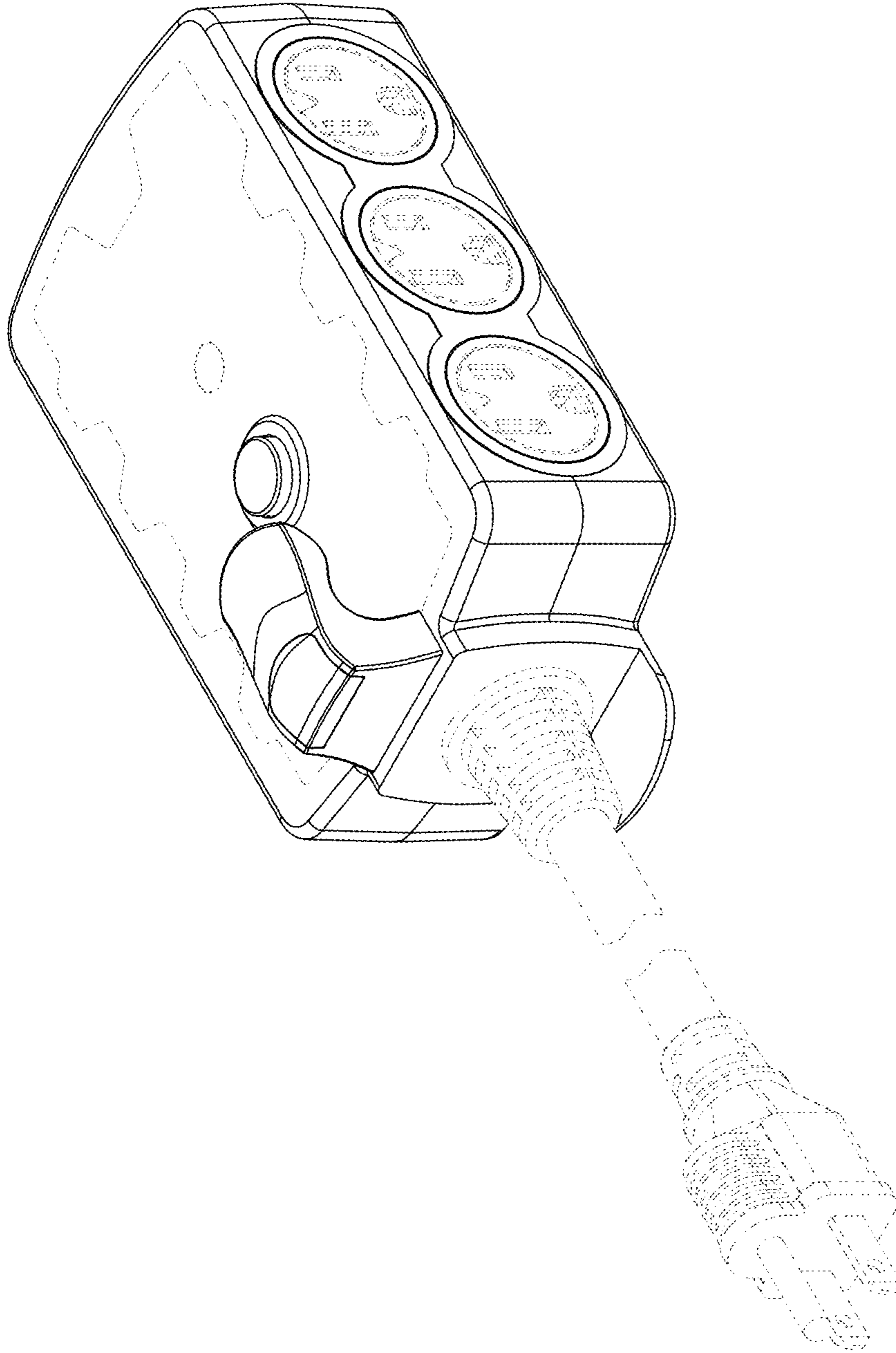
The ornamental design for a multi-direction socket, as shown and described.

**DESCRIPTION**

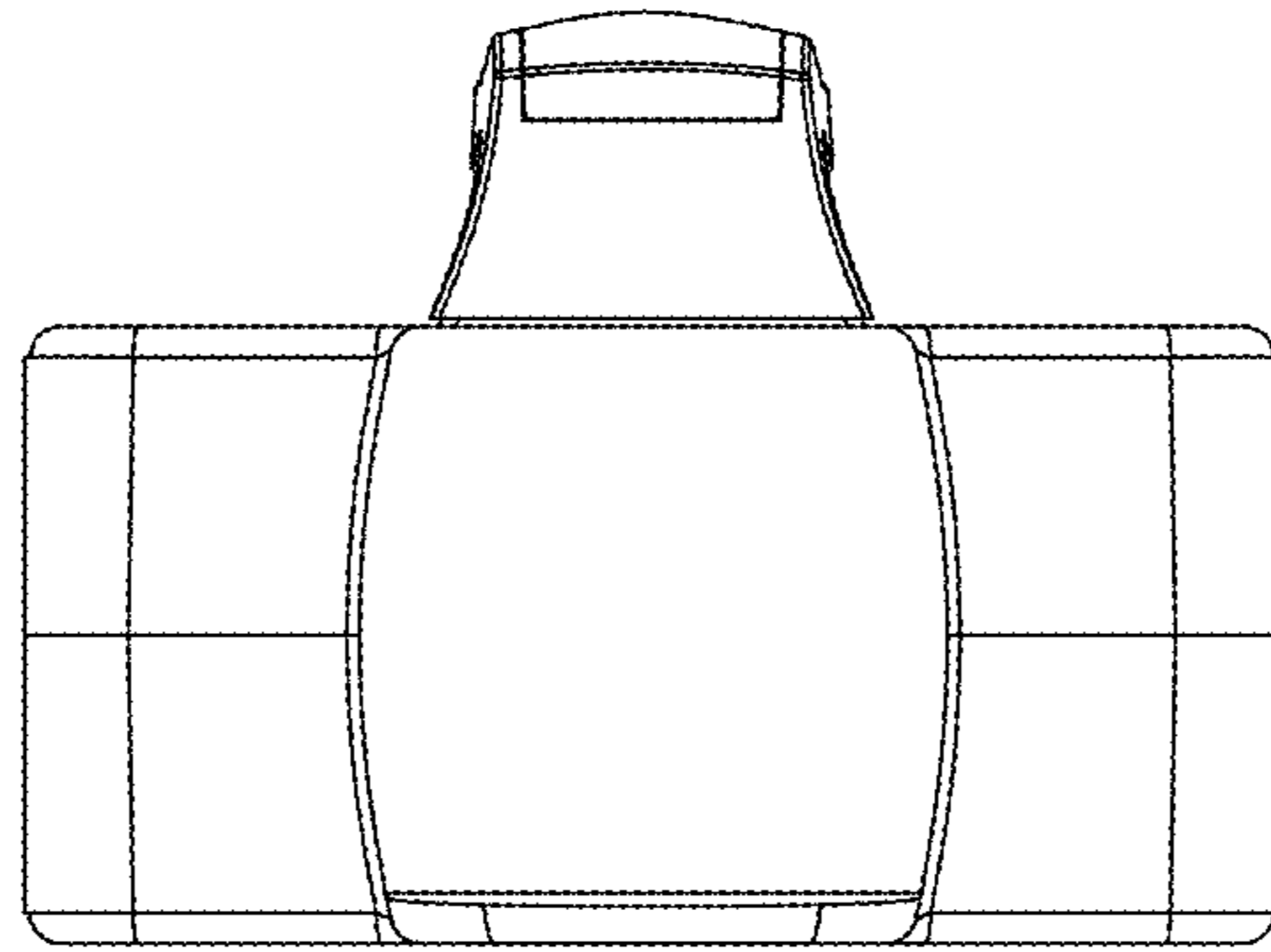
FIG. 1 is a front right perspective view of the multi-direction socket showing my new design;  
 FIG. 2 is a front elevation view thereof;  
 FIG. 3 is a rear elevation view thereof;  
 FIG. 4 is a left side elevation view thereof;  
 FIG. 5 is a right side elevation view thereof;  
 FIG. 6 is a top plan view thereof; and,  
 FIG. 7 is a bottom plan view thereof.  
 The dot-dash-dot boundary lines in FIGS. 1, 6 and 7 depict the bounds of the claim and form no part of the claimed design.  
 The broken lines represent portions of the multi-direction socket that form no part of the claimed design.

**1 Claim, 6 Drawing Sheets**

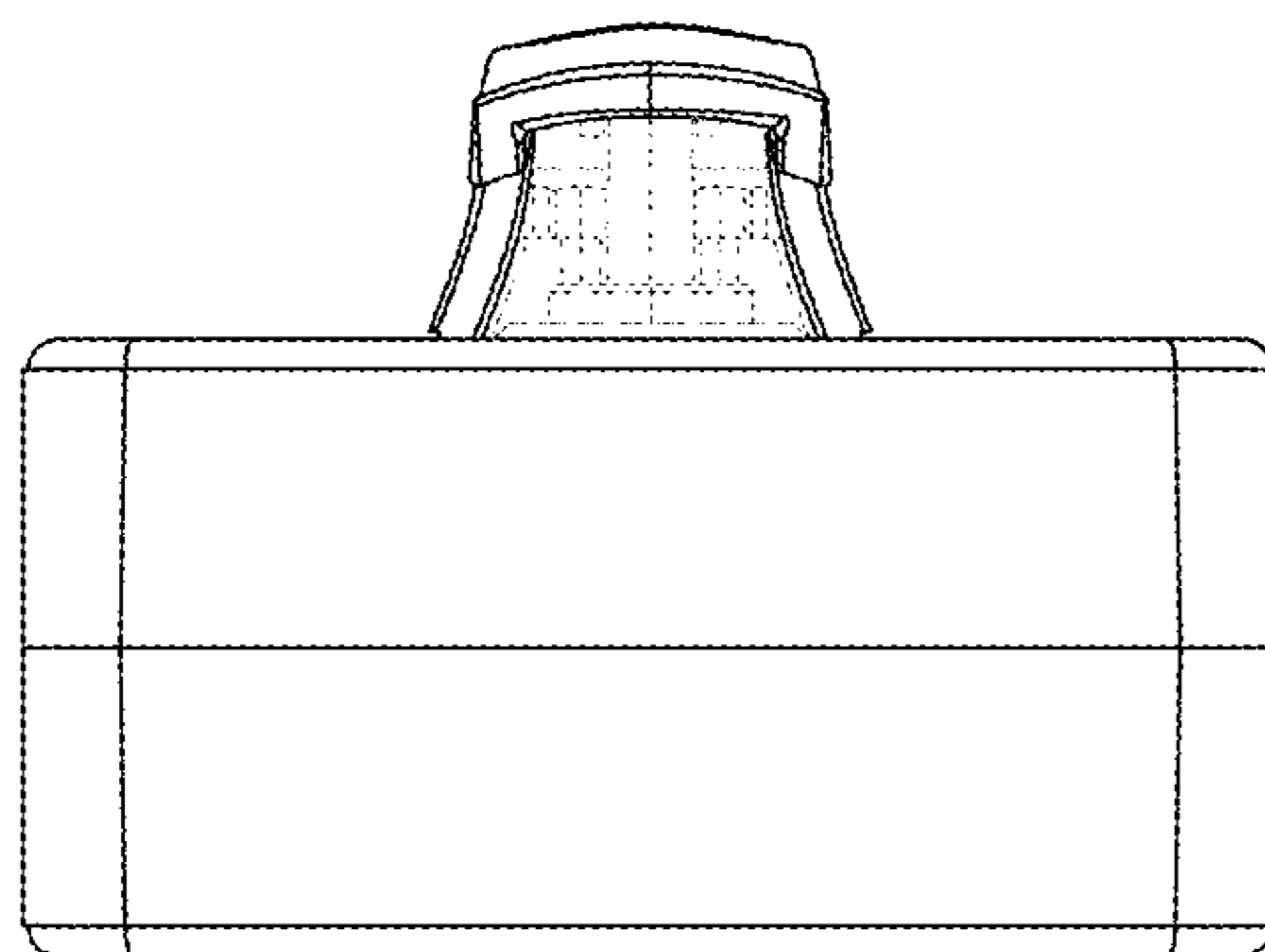




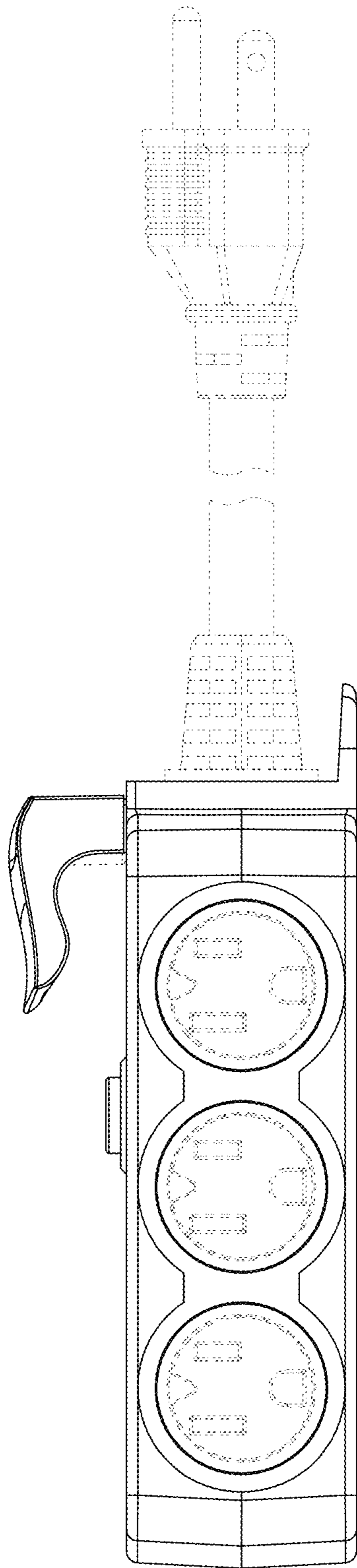
**FIG. 1**



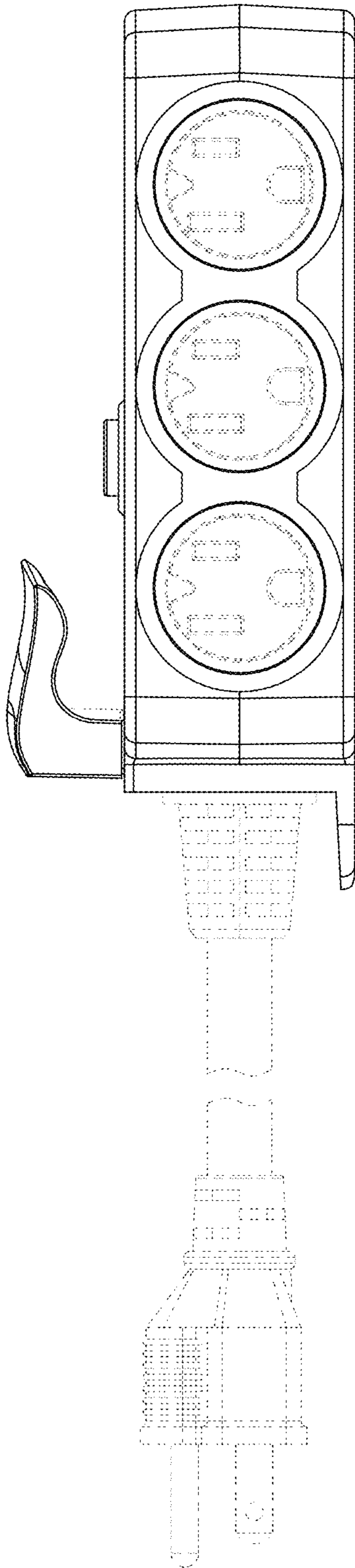
*FIG. 2*



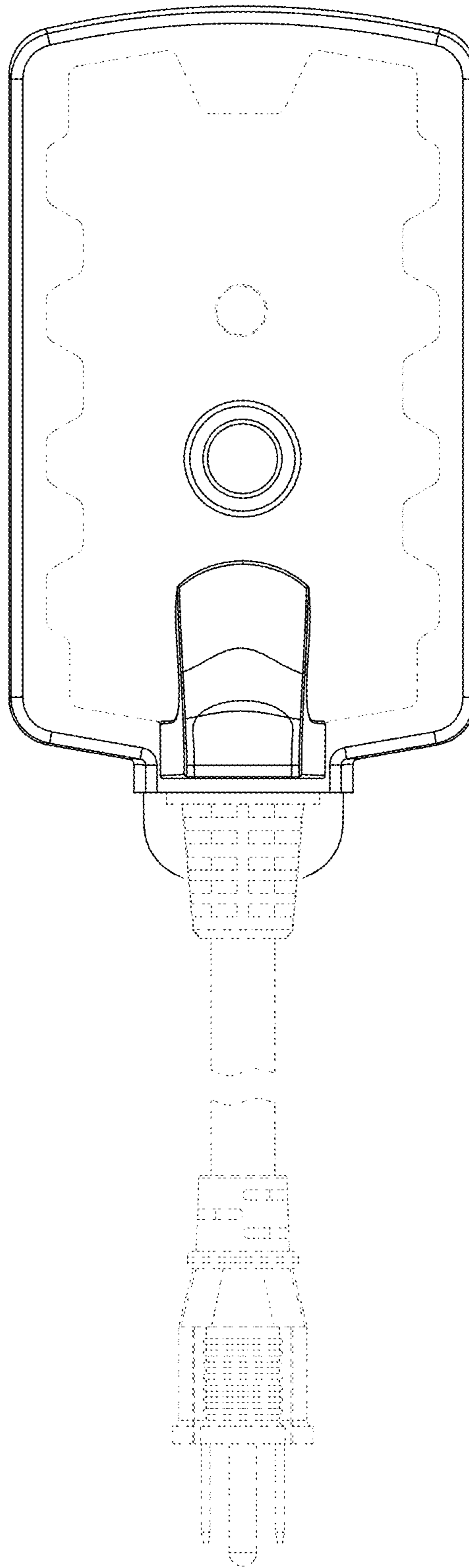
*FIG. 3*



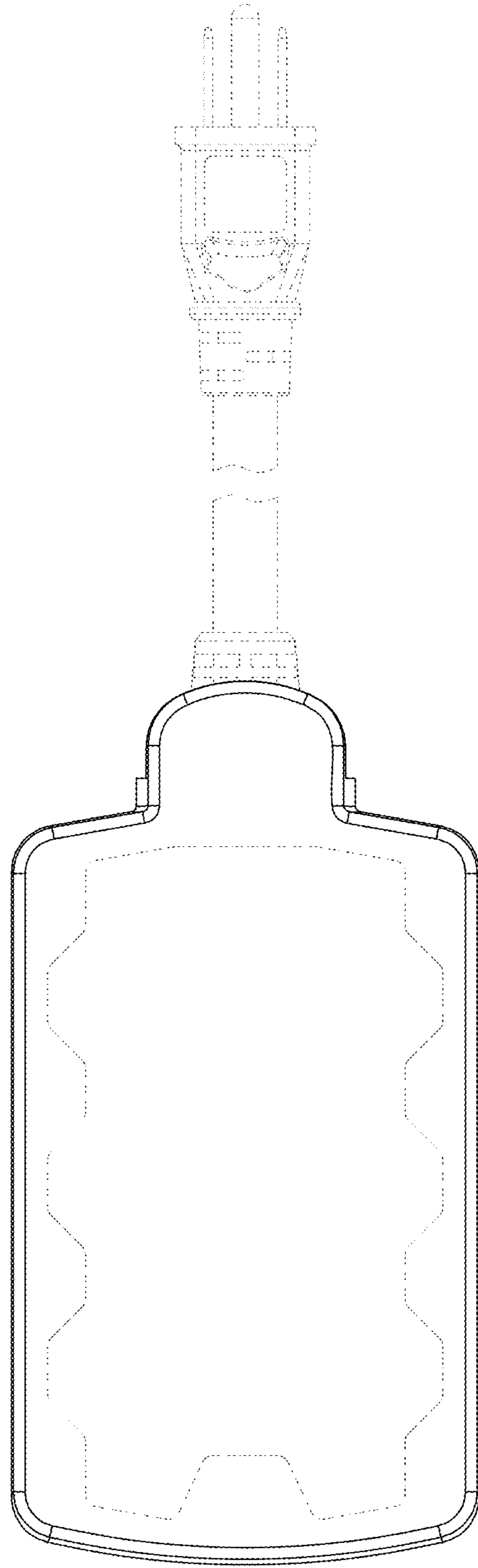
*FIG. 4*



*FIG. 5*



*FIG. 6*



*FIG. 7*