



US00D946530S

(12) **United States Design Patent** (10) **Patent No.:** **US D946,530 S**  
**Lin** (45) **Date of Patent:** **\*\* \*Mar. 22, 2022**

(54) **MULTI-DIRECTION SOCKET**  
(71) Applicant: **Chia-Hua Lin**, New Taipei (TW)  
(72) Inventor: **Chia-Hua Lin**, New Taipei (TW)  
(\* ) Notice: This patent is subject to a terminal disclaimer.  
(\*\* ) Term: **15 Years**  
(21) Appl. No.: **29/697,104**  
(22) Filed: **Jul. 3, 2019**  
(51) **LOC (13) Cl.** ..... **13-03**  
(52) **U.S. Cl.**  
USPC ..... **D13/137.2**  
(58) **Field of Classification Search**  
USPC ..... D13/103, 107, 108, 113, 118, 123, 133,  
D13/137.1–137.4, 138.1, 138.2,  
D13/139.1–139.7, 153, 154, 155  
CPC ..... H01R 25/165; H01R 9/00; H01R 9/22;  
H01R 9/226; H01R 13/00; H01R 13/03;  
H01R 13/04; H01R 13/10; H01R 13/35;  
H01R 13/502; H01R 13/631; H01R  
13/6666; H01R 25/006; H01R 13/6675;  
H05K 5/00; H05K 5/03; G06F 1/266  
See application file for complete search history.

(56) **References Cited**  
U.S. PATENT DOCUMENTS

D399,825 S \* 10/1998 Heung ..... D13/139.6  
D547,272 S \* 7/2007 Ng ..... D13/137.2  
D564,451 S \* 3/2008 Fornino ..... D13/139.8  
D663,691 S \* 7/2012 Magee, Jr. .... D13/139.8  
D736,710 S \* 8/2015 Lin ..... D13/137.2  
D775,081 S \* 12/2016 Xu ..... D13/139.6  
D786,797 S \* 5/2017 Hsu ..... D13/137.2  
D807,827 S \* 1/2018 Lu ..... D13/137.2  
D807,828 S \* 1/2018 Xu ..... D13/137.2

D807,831 S \* 1/2018 Xu ..... D13/139.8  
D818,971 S \* 5/2018 Peng ..... D13/171  
D878,299 S \* 3/2020 Lyu ..... D13/139.8  
D881,819 S \* 4/2020 Shan ..... D13/139.7  
D891,377 S \* 7/2020 Ahrari ..... D13/168  
D895,554 S \* 9/2020 Jianting ..... D13/137.2  
2018/0316201 A1\* 11/2018 Miller ..... H01R 27/02

**OTHER PUBLICATIONS**

6-Outlet Wall Adapter, available date Jul. 19, 2013, [online], [site visited Nov. 4, 2020], Available from Internet URL: <https://www.amazon.com/Space-Saving-Side-Access-Furniture-SPS1060T-17/dp/B00560ZIEW>.\*

\* cited by examiner

*Primary Examiner* — Leanne Was-Englehart  
(74) *Attorney, Agent, or Firm* — Chun-Ming Shih;  
Lanway IPR Services

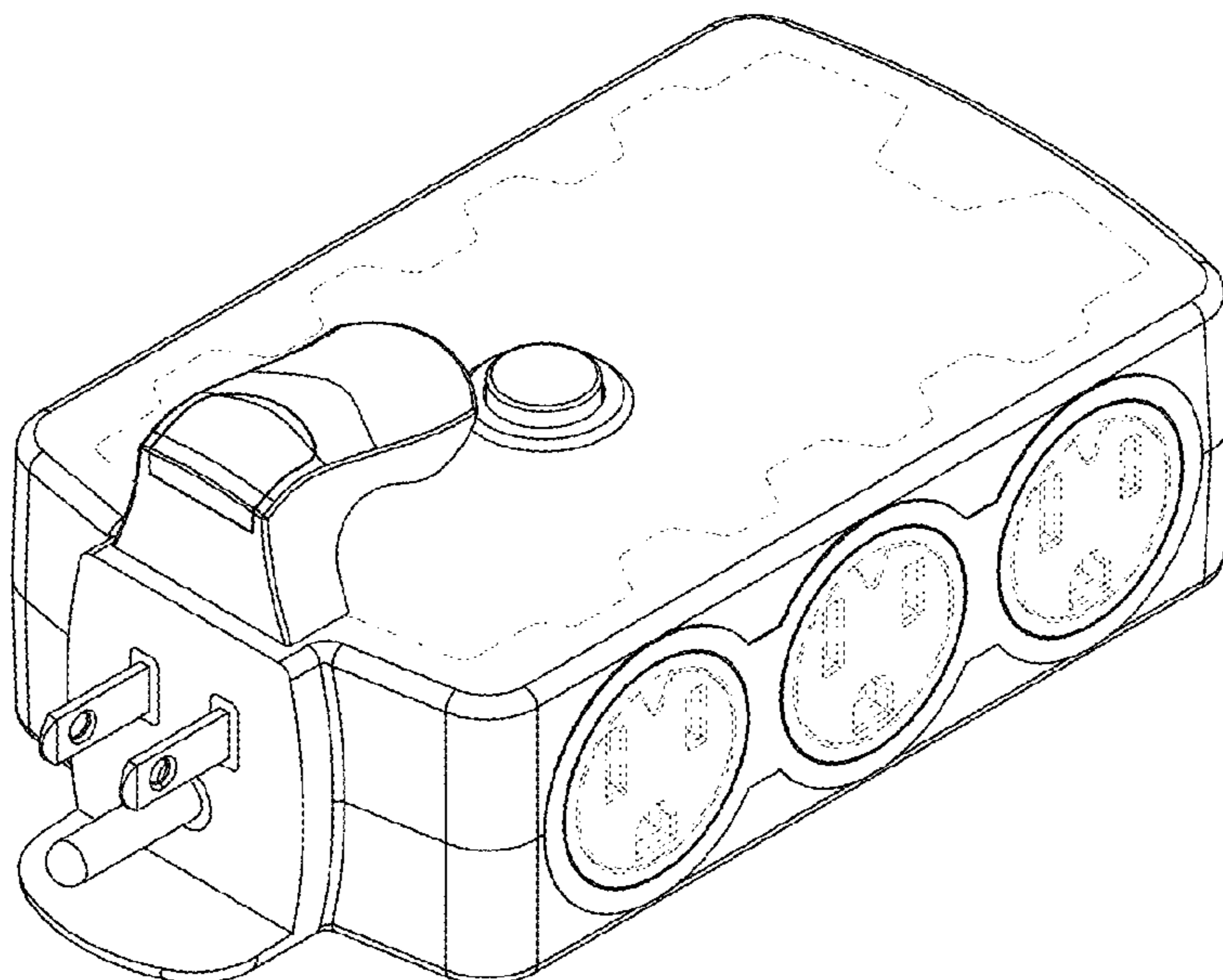
(57) **CLAIM**

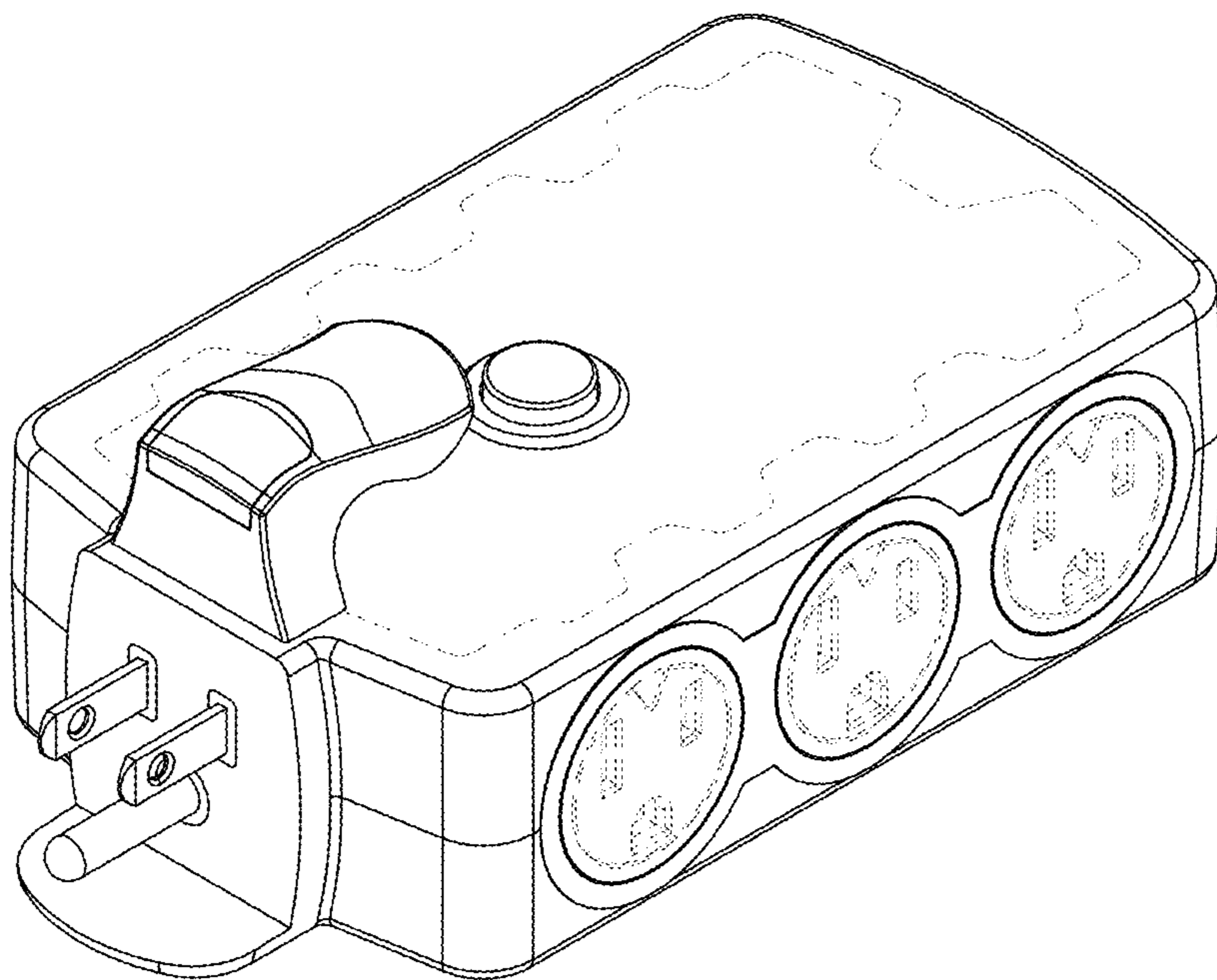
The ornamental design for a multi-direction socket, as shown and described.

**DESCRIPTION**

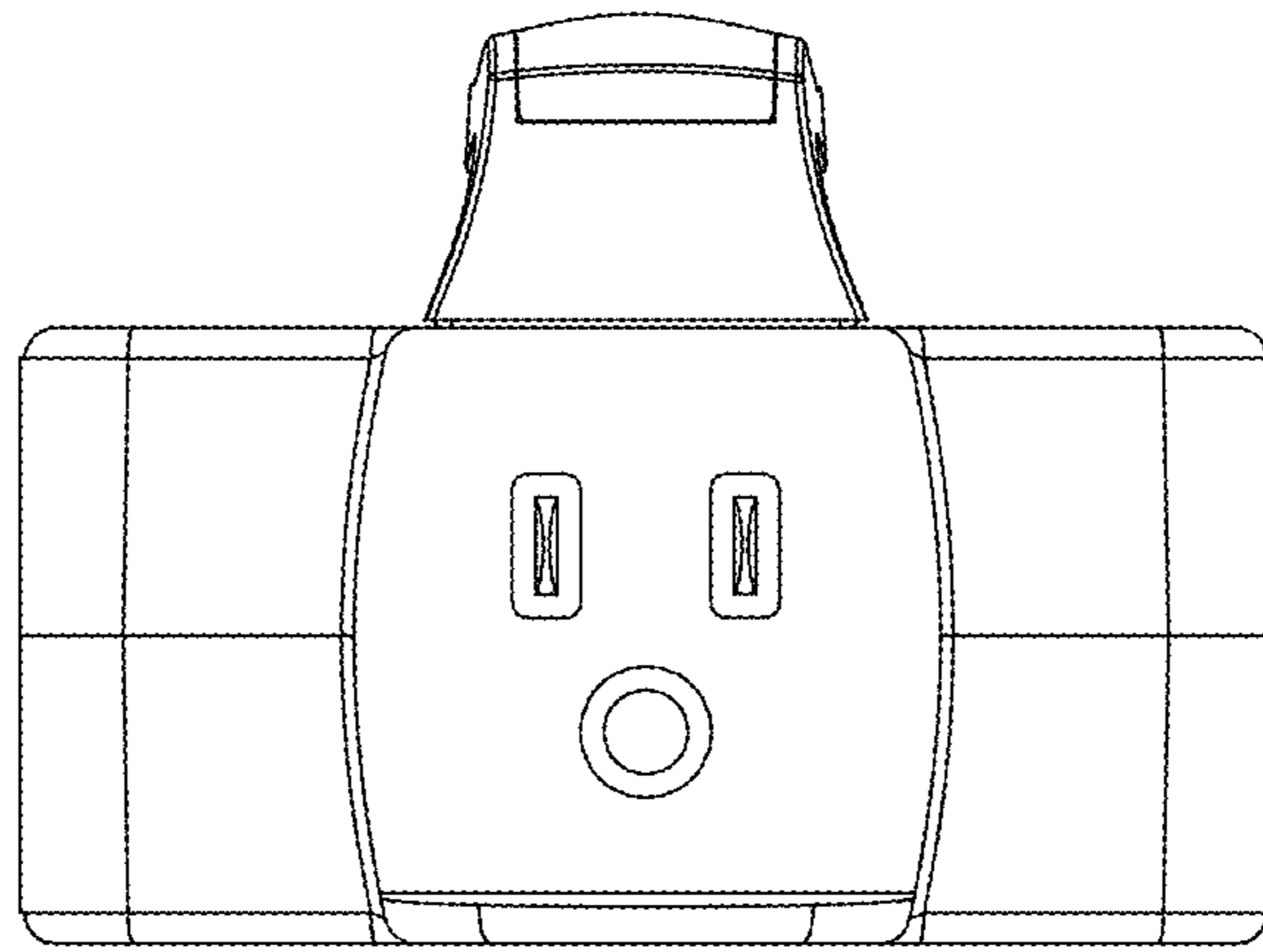
FIG. 1 is a front right perspective view of the multi-direction socket showing my new design;  
FIG. 2 is a front elevation view thereof;  
FIG. 3 is a rear elevation view thereof;  
FIG. 4 is a left side elevation view thereof;  
FIG. 5 is a right side elevation view thereof;  
FIG. 6 is a top plan view thereof; and,  
FIG. 7 is a bottom plan view thereof.  
The broken lines represent portions of the multi-direction socket that form no part of the claimed design.  
The dot-dash-dot boundary lines in FIGS. 1, 6 and 7 depict the bounds of the claim and form no part of the claimed design.

**1 Claim, 5 Drawing Sheets**

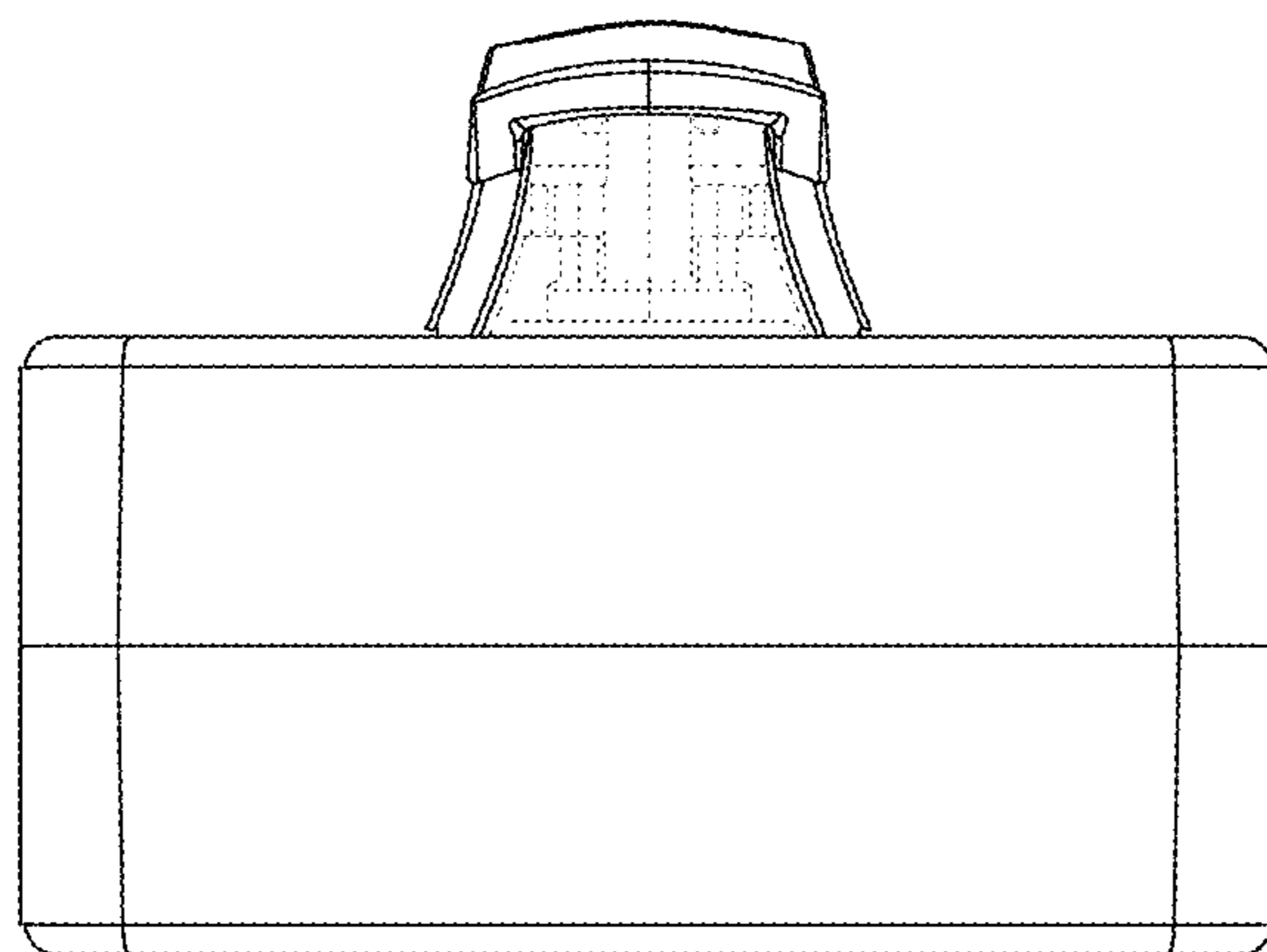




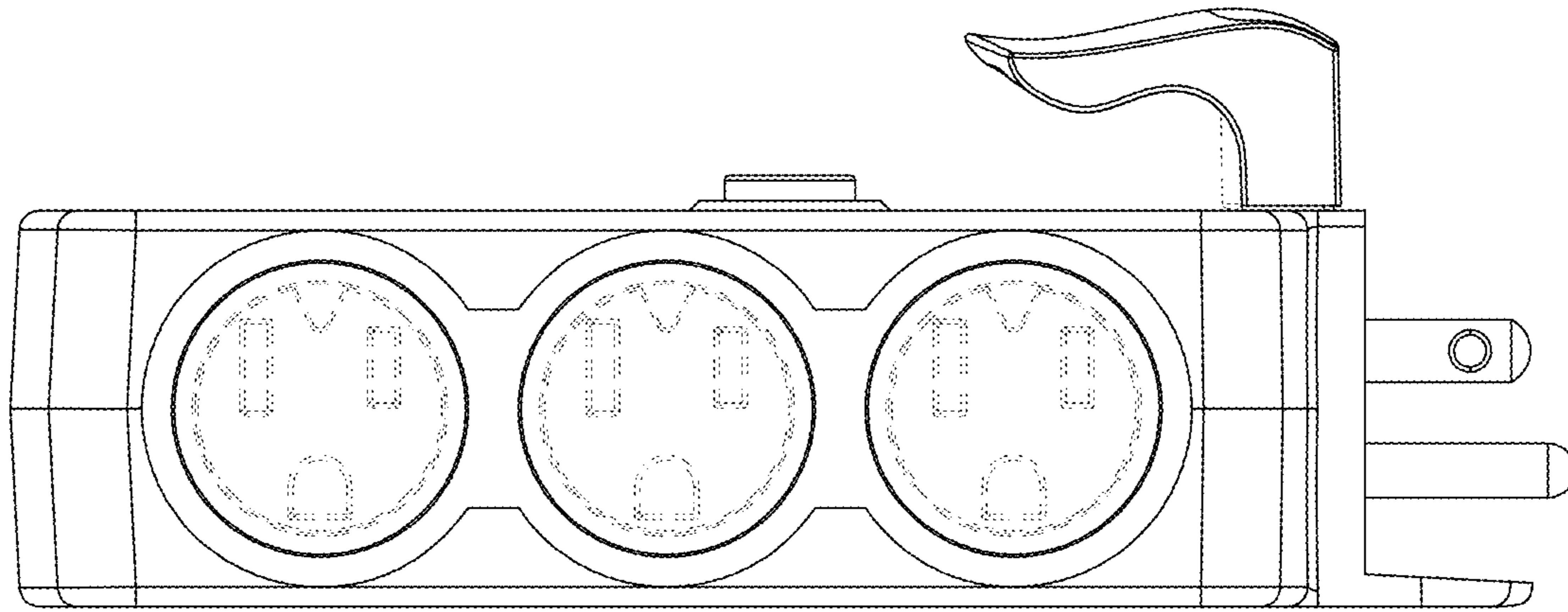
*FIG. 1*



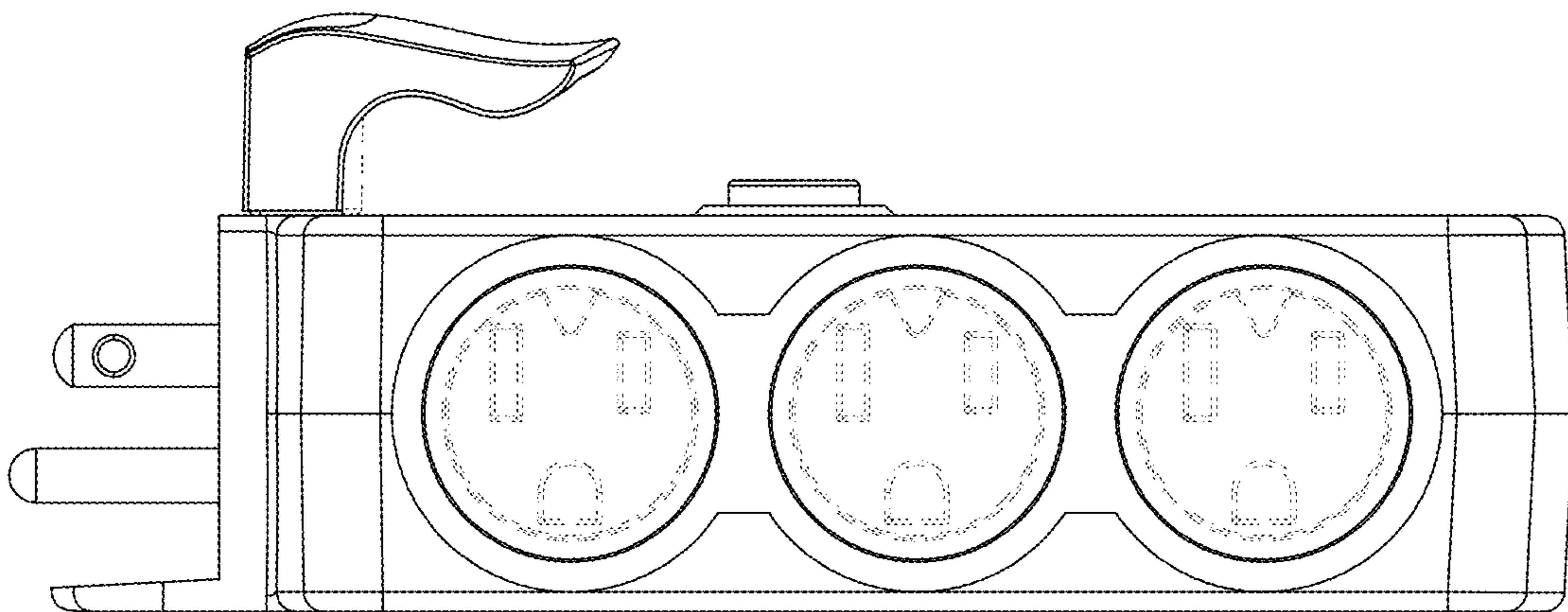
*FIG. 2*



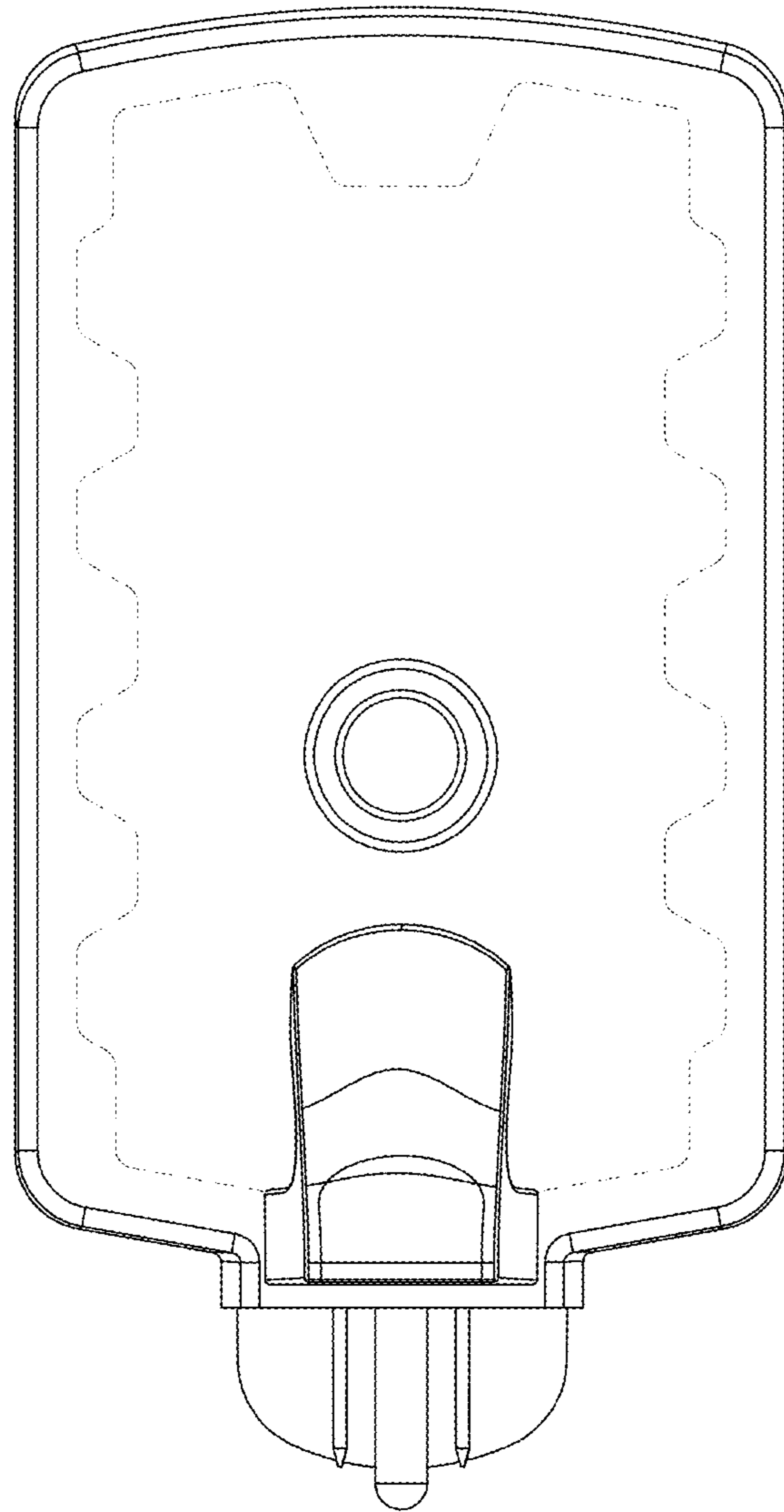
*FIG. 3*



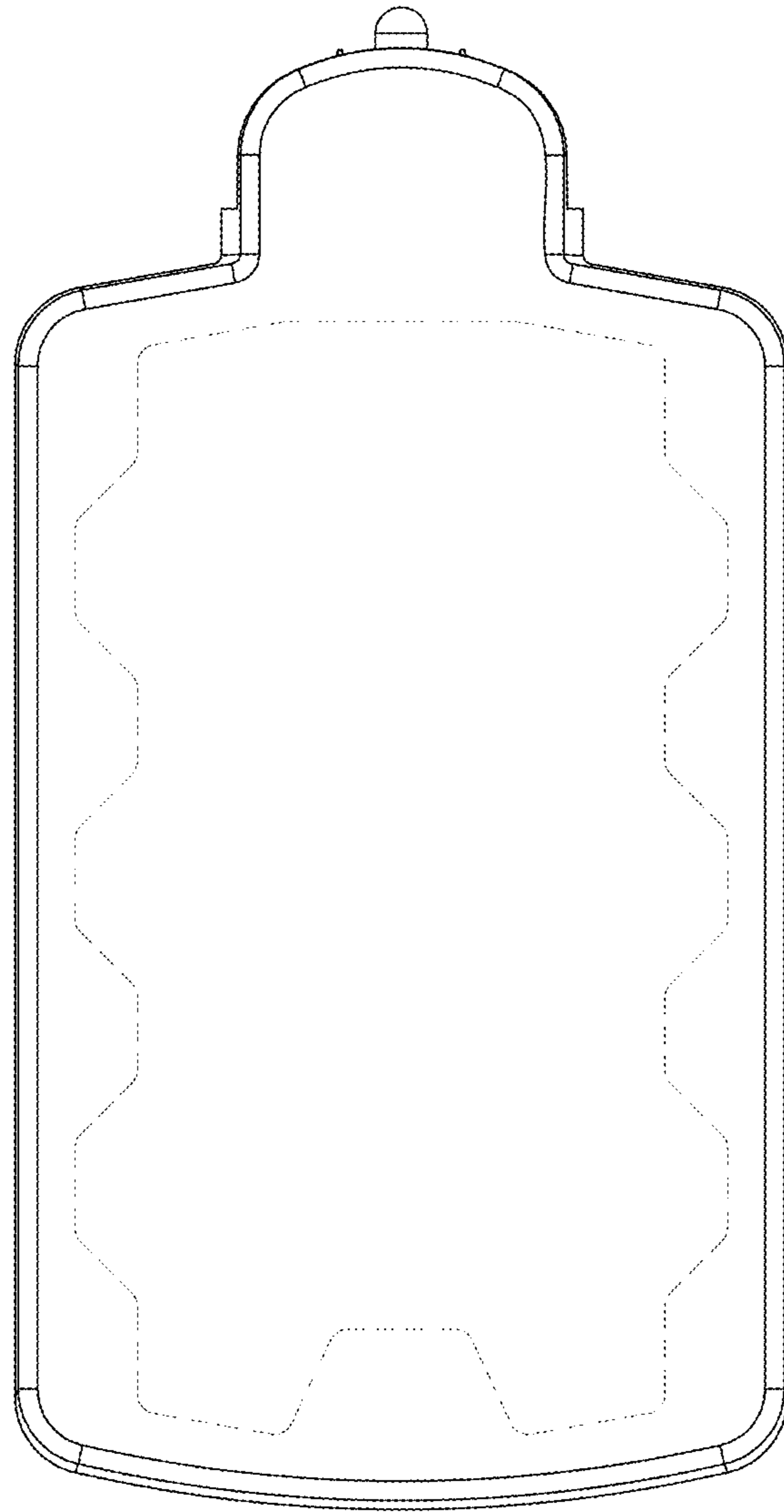
*FIG. 4*



*FIG. 5*



*FIG. 6*



*FIG. 7*