



US00D946529S

(12) **United States Design Patent**  
**Tsuda et al.**

(10) **Patent No.:** **US D946,529 S**  
(45) **Date of Patent:** **\*\* Mar. 22, 2022**

(54) **CONNECTOR CASE FOR CABLE**  
(71) Applicant: **NITTO DENKO CORPORATION**,  
Osaka (JP)  
(72) Inventors: **Koichi Tsuda**, Osaka (JP); **Yusuke Shimizu**, Osaka (JP); **Satoshi Ito**, Osaka (JP)  
(73) Assignee: **NITTO DENKO CORPORATION**,  
Osaka (JP)

D312,446 S \* 11/1990 DeLeo ..... D13/133  
5,201,914 A \* 4/1993 Hollick ..... H01R 4/36  
439/801  
5,252,096 A \* 10/1993 Okada ..... H01R 13/4362  
439/752  
D375,483 S \* 11/1996 Tashiro ..... D13/110  
D424,528 S \* 5/2000 Dernehl ..... D13/110  
D503,679 S \* 4/2005 Andre ..... D13/110  
D585,852 S \* 2/2009 Chen ..... D13/184  
7,923,964 B2 \* 4/2011 Lin ..... H02J 7/0044  
320/115  
D703,138 S \* 4/2014 Weiland ..... D13/133  
D705,161 S \* 5/2014 Chen ..... D13/110  
D742,827 S \* 11/2015 Lee ..... D13/118  
D775,070 S \* 12/2016 Lei ..... D13/107

(\*\*) Term: **15 Years**  
(21) Appl. No.: **35/509,082**

(22) Filed: **Oct. 11, 2019**

(80) **Hague Agreement Data**  
Int. Filing Date: **Oct. 11, 2019**  
Int. Reg. No.: **DM/206690**  
Int. Reg. Date: **Oct. 11, 2019**  
Int. Reg. Pub. Date: **Apr. 17, 2020**

(30) **Foreign Application Priority Data**  
Apr. 17, 2019 (JP) ..... 2019-008471  
(51) **LOC (13) Cl.** ..... **13-03**  
(52) **U.S. Cl.**  
USPC ..... **D13/133**  
(58) **Field of Classification Search**  
USPC ... D13/133, 110, 107, 184, 162, 118, 138.1,  
D13/158; D14/433  
CPC ..... H02J 7/0044; H01R 13/4362; H01R 4/36;  
H01R 13/6272; H01R 13/11  
See application file for complete search history.

(56) **References Cited**  
U.S. PATENT DOCUMENTS  
3,363,224 A \* 1/1968 Gluntz ..... H01R 13/11  
439/852  
4,915,643 A \* 4/1990 Samejima ..... H01R 13/6272  
439/357

(Continued)

*Primary Examiner* — Rhea Shields  
(74) *Attorney, Agent, or Firm* — Jean C. Edwards, Esq.;  
Edwards Neils LLC

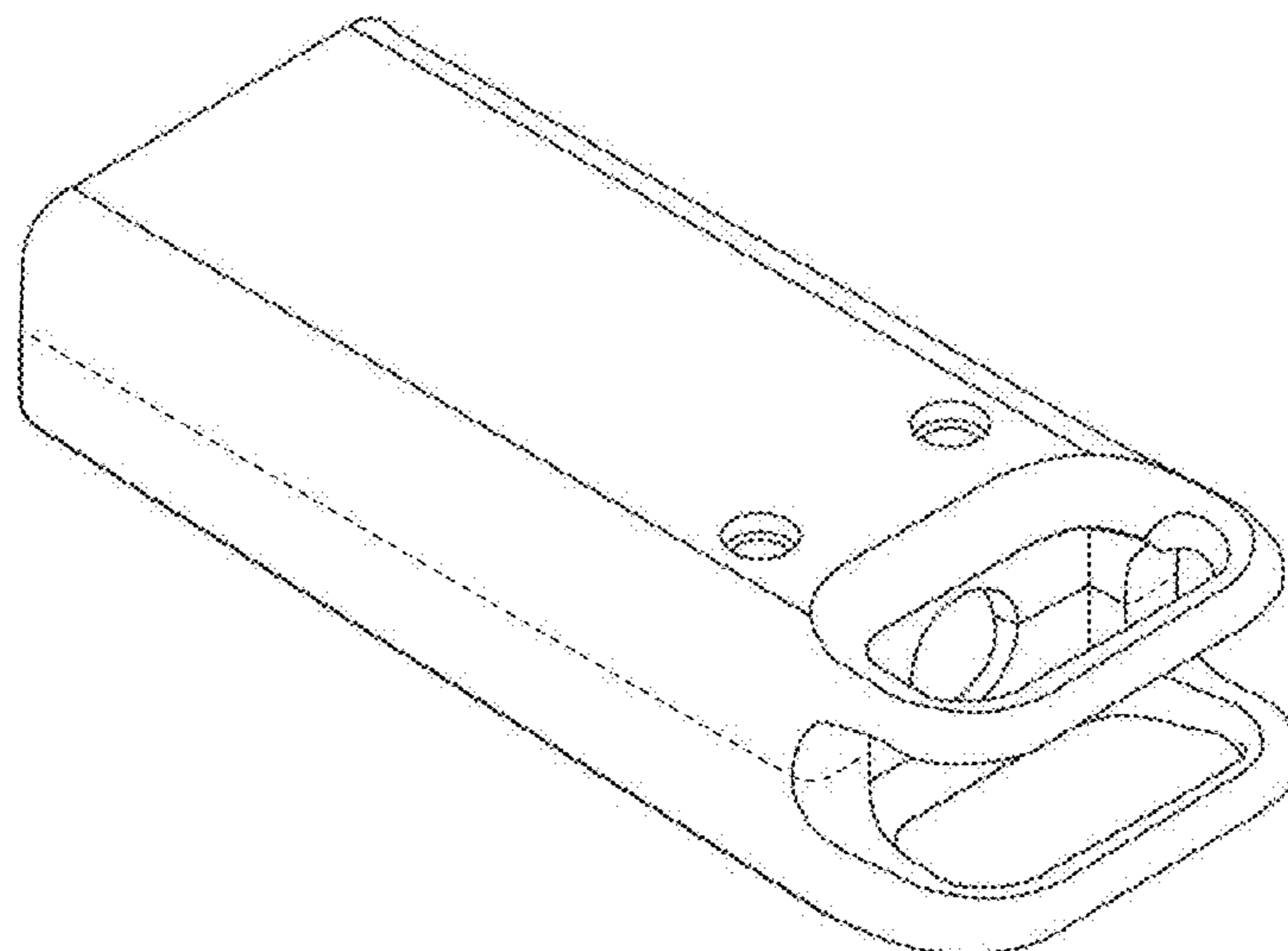
(57) **CLAIM**

The ornamental design for a connector case for cable, as shown and described.

**DESCRIPTION**

**1.1** is a perspective view of a connector case for cable showing our new design;  
**1.2** is a top plan view thereof;  
**1.3** is a front elevation thereof;  
**1.4** is a right side elevation view thereof;  
**1.5** is a left side elevation view thereof;  
**1.6** is a bottom view thereof;  
**1.7** is a rear elevation view thereof; and  
**1.8** is a perspective view thereof showing environment.  
In Reproductions **1.1** through **1.7**, the broken lines are for the purpose of illustrating portions of the connector case for cable that form no part of the claimed design. In Reproduction **1.8**, the broken lines are for the purpose of showing both environment and portions of the article that form no part of the claimed design.

**1 Claim, 8 Drawing Sheets**



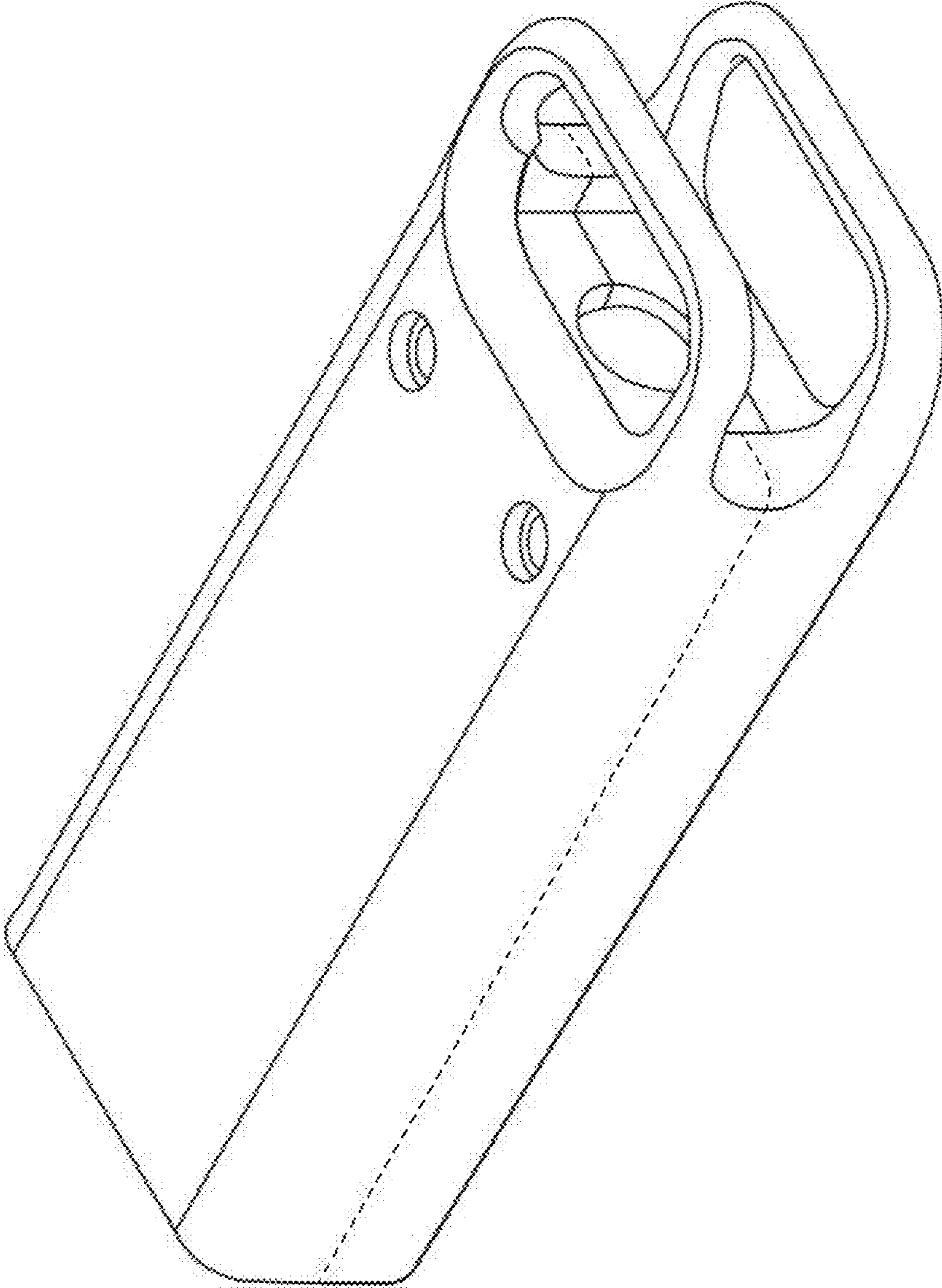
(56)

**References Cited**

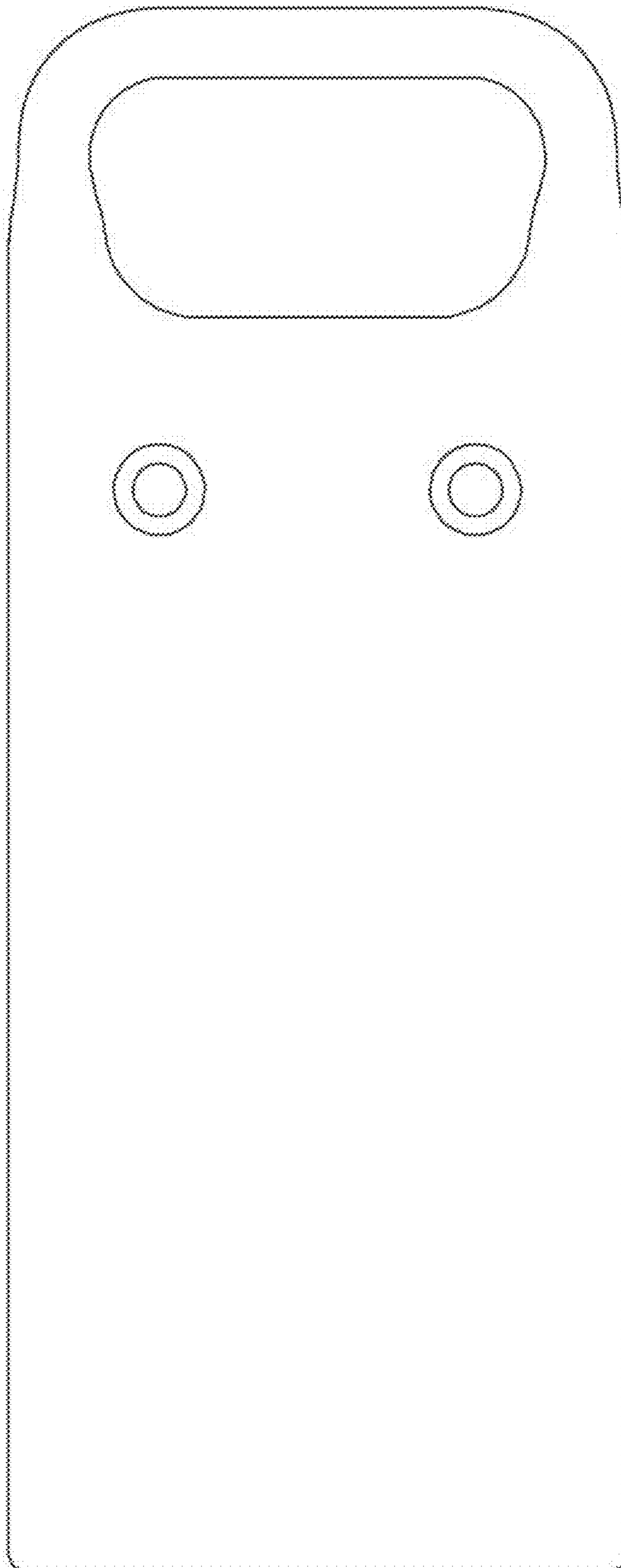
U.S. PATENT DOCUMENTS

D785,570 S *	5/2017	Fischer .....	D13/138.1
D798,234 S *	9/2017	Bryant .....	D13/110
D806,653 S *	1/2018	DeCosta .....	D13/133
D816,608 S *	5/2018	Burke .....	D13/110
D845,253 S *	4/2019	Cools .....	D13/162
D852,152 S *	6/2019	Lawrence .....	D13/184
D855,570 S *	8/2019	Vladimirovich .....	D13/133
D858,529 S *	9/2019	Oberpriller .....	D14/433
D868,707 S *	12/2019	Lin .....	D13/158
D915,408 S *	4/2021	Zhang .....	D14/433

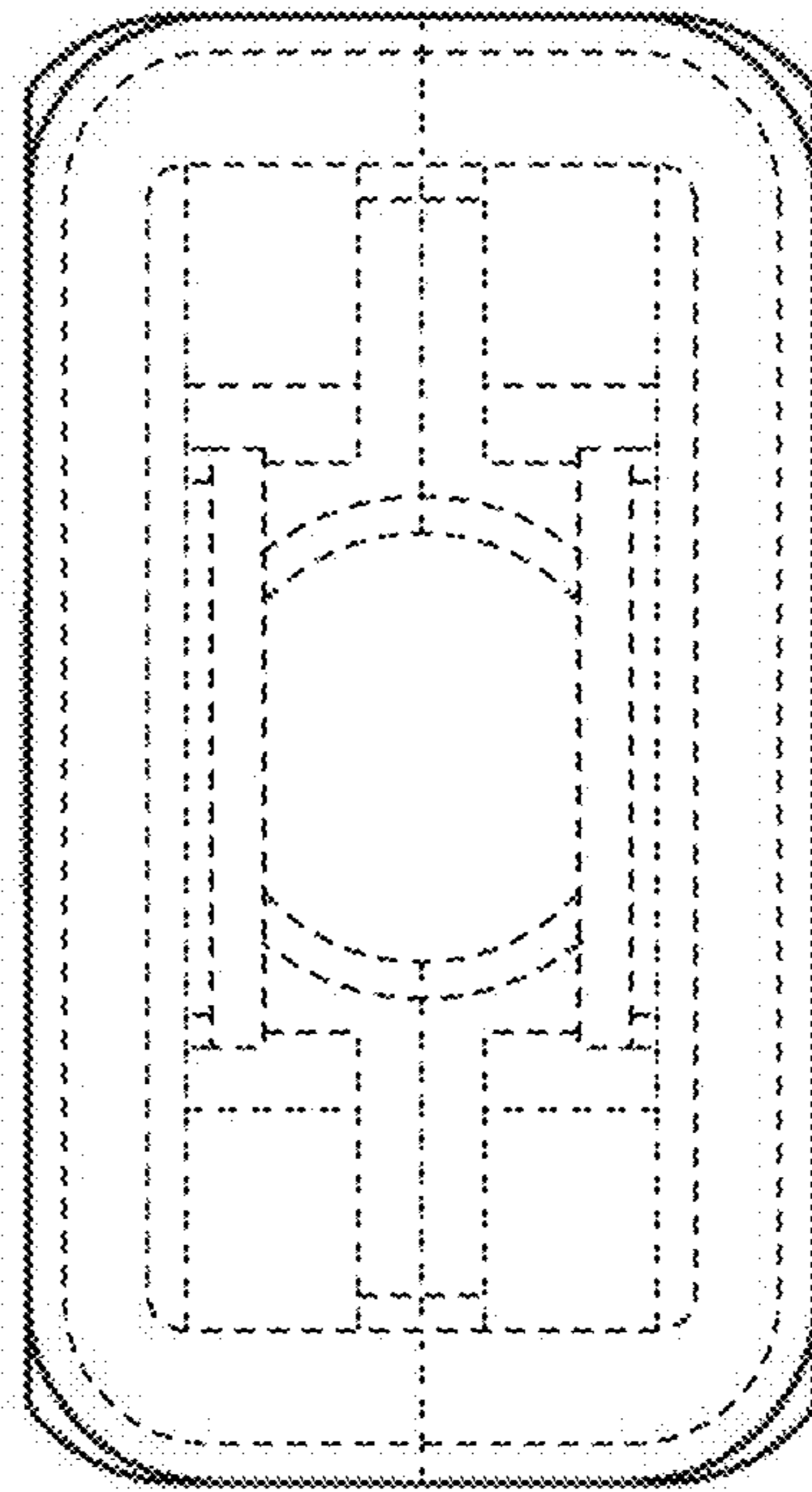
\* cited by examiner



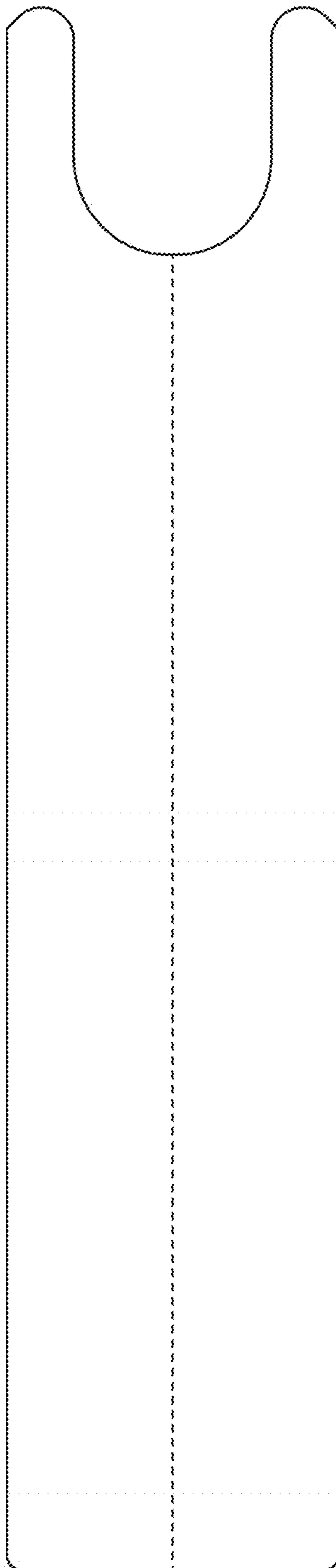
1.1



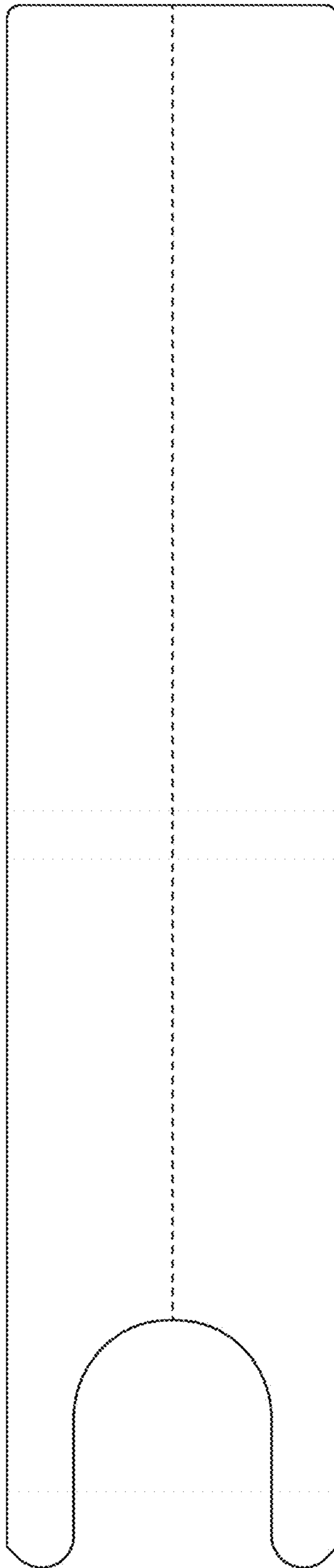
1.2



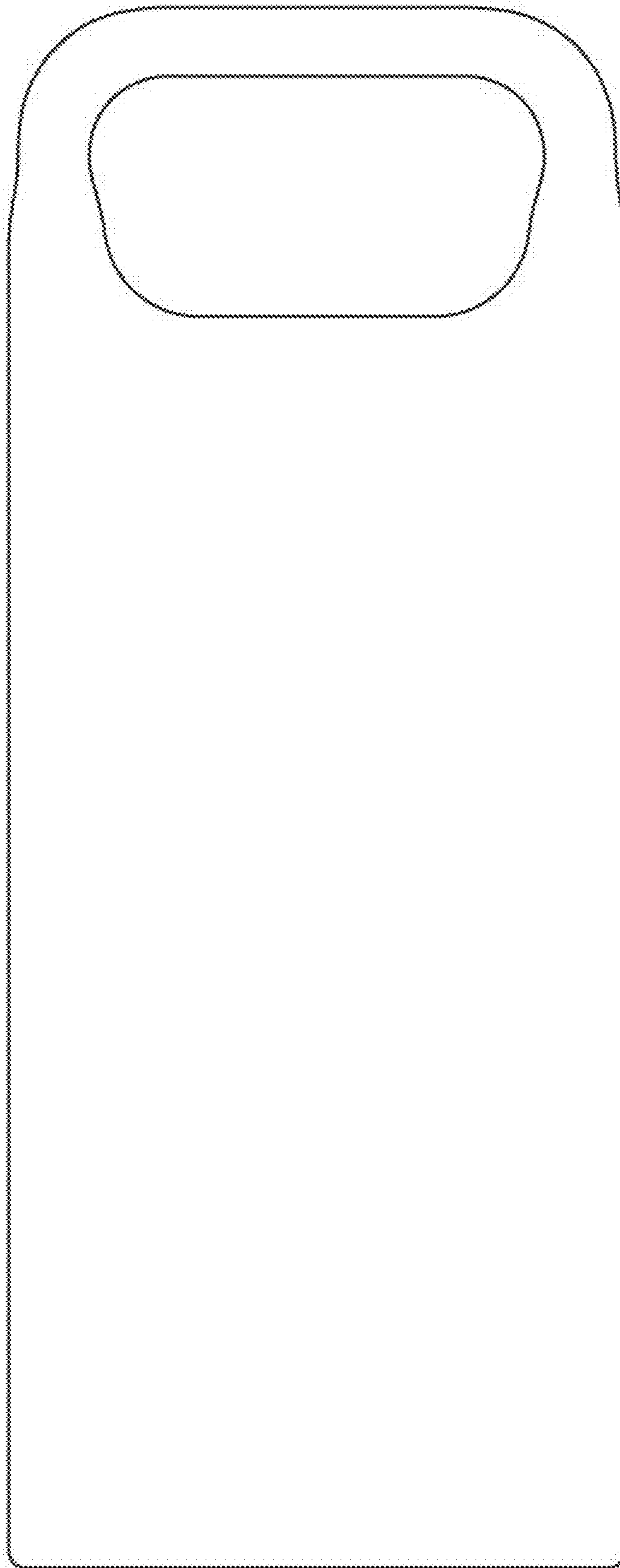
1.3



1.4

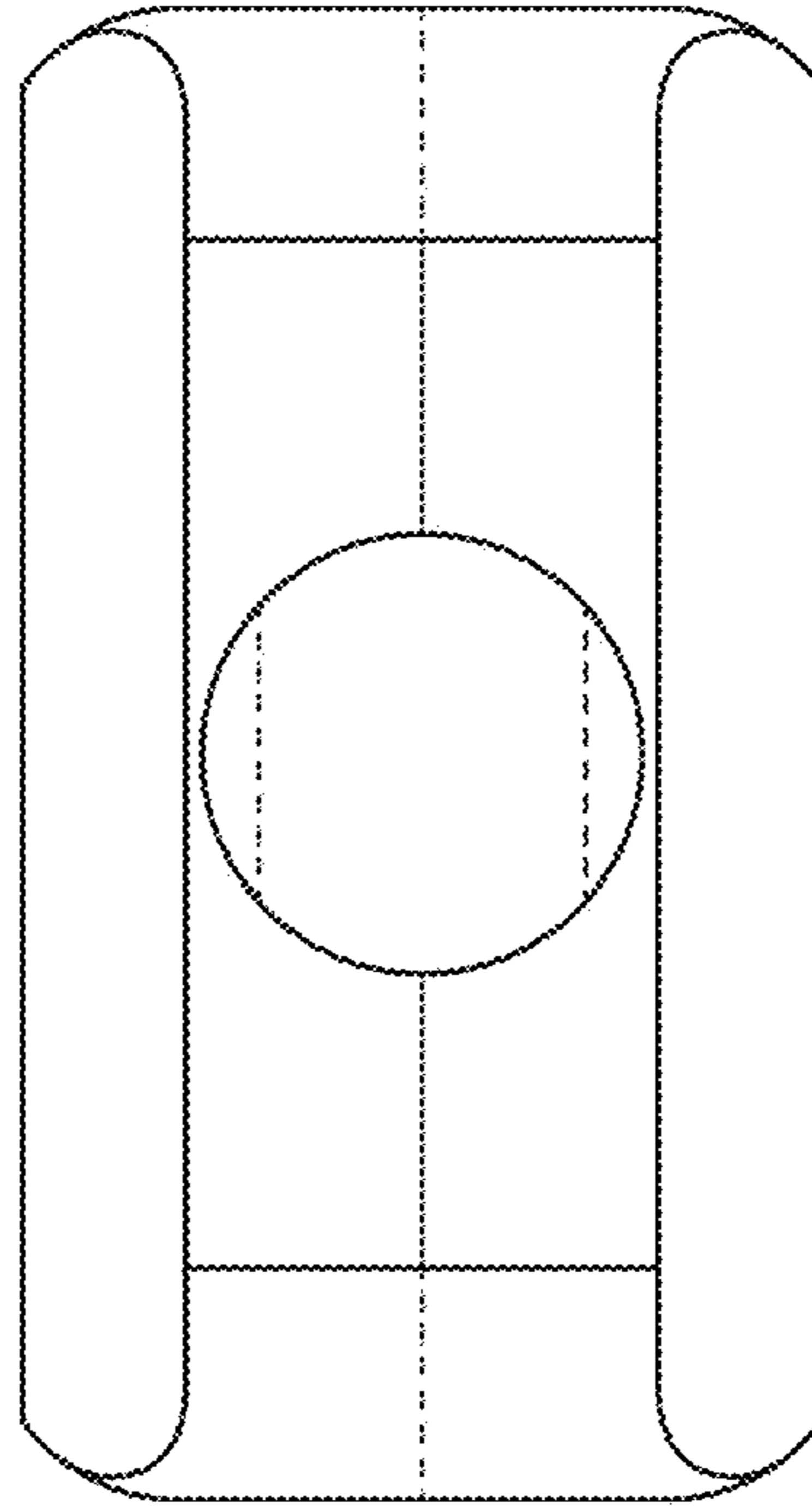


1.5



1.6





1.7

