



US00D946525S

(12) **United States Design Patent**
Feige

(10) **Patent No.:** **US D946,525 S**
(45) **Date of Patent:** **** Mar. 22, 2022**

- (54) **BATTERY SUPPORTING DEVICE**
- (71) Applicant: **Robert Bosch GmbH**, Stuttgart (DE)
- (72) Inventor: **Lukas Feige**, Reutlingen (DE)
- (73) Assignee: **Robert Bosch GmbH**, Stuttgart (DE)
- (**) Term: **15 Years**
- (21) Appl. No.: **29/704,401**
- (22) Filed: **Sep. 4, 2019**

D757,011 S *	5/2016	Sakai	D14/433
D817,333 S *	5/2018	Boshernitzan	D14/434
D856,281 S *	8/2019	Brennenstuhl	D13/133
D882,513 S *	4/2020	Schumacher	D13/110

* cited by examiner

Primary Examiner — Jennifer O King
(74) *Attorney, Agent, or Firm* — Maginot, Moore & Beck LLP

(57) **CLAIM**

The ornamental design for a battery supporting device, as shown and described.

DESCRIPTION

FIG. 1 is a front perspective view of a battery supporting device showing my new design;
 FIG. 2 is a front side elevational view of the battery supporting device of FIG. 1;
 FIG. 3 is a rear side elevational view of the battery supporting device of FIG. 1;
 FIG. 4 is a right side elevational view of the battery supporting device of FIG. 1;
 FIG. 5 is a left side elevational view of the battery supporting device of FIG. 1;
 FIG. 6 is a top side plan view of the battery supporting device of FIG. 1; and,
 FIG. 7 is a bottom side plan view of the battery supporting device of FIG. 1.
 The broken lines shown in the drawings illustrate portions of the battery supporting device that form no part of the claimed design.

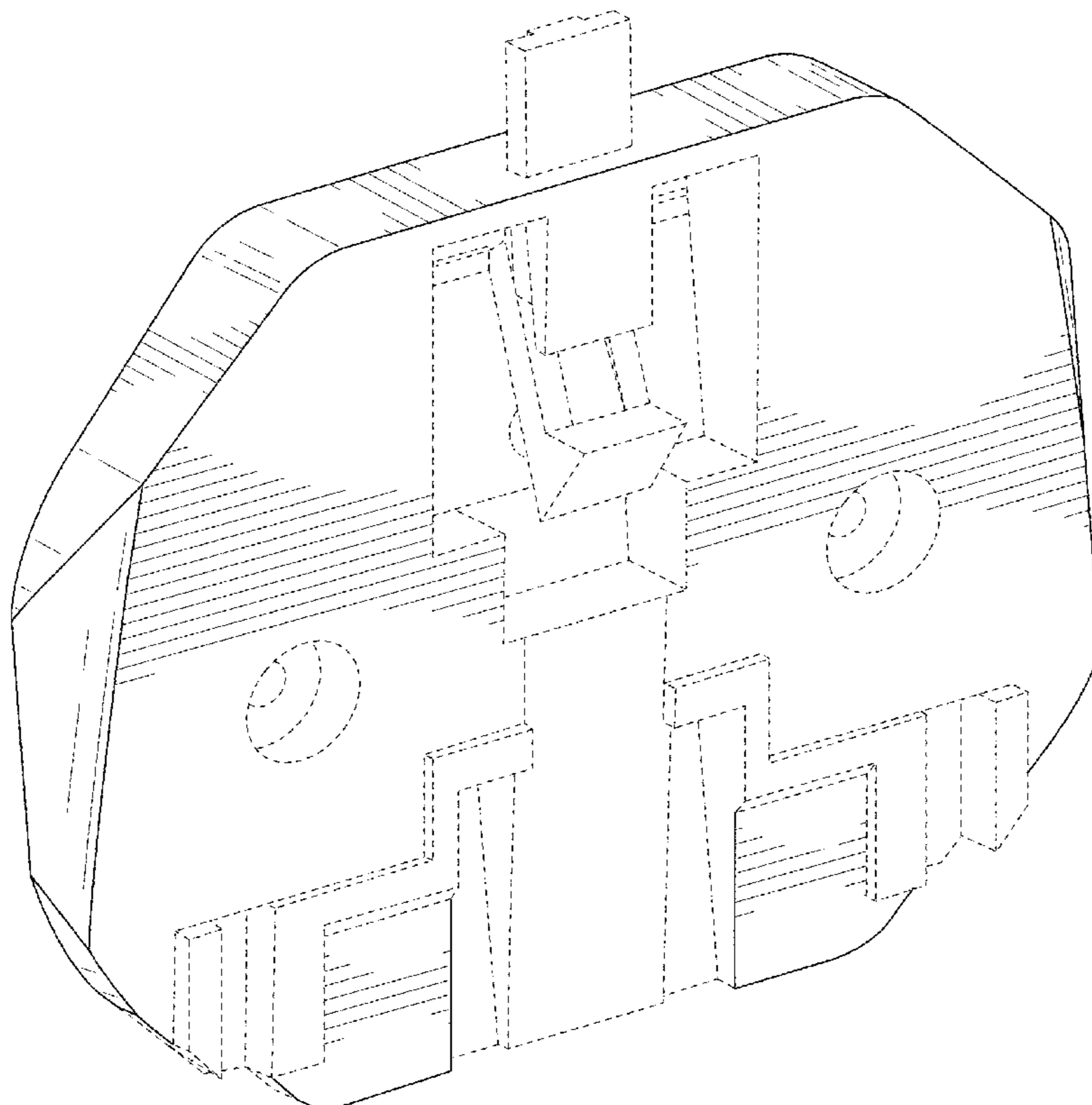
- (30) **Foreign Application Priority Data**
- Mar. 15, 2019 (EM) 006312229
- (51) **LOC (13) Cl.** **13-02**
- (52) **U.S. Cl.**
- USPC **D13/119**
- (58) **Field of Classification Search**
- USPC D13/103, 104, 107, 108, 110, 119, 120,
D13/149, 184, 199; D10/77
- CPC H01M 220/20; H01M 50/20; H01M 10/48;
B60R 16/04
- See application file for complete search history.

(56) **References Cited**

U.S. PATENT DOCUMENTS

D118,924 S *	2/1940	Williams	D13/154
D676,387 S *	2/2013	Kennedy	D13/137.2
D748,056 S *	1/2016	Takagi	D13/137.2

1 Claim, 5 Drawing Sheets



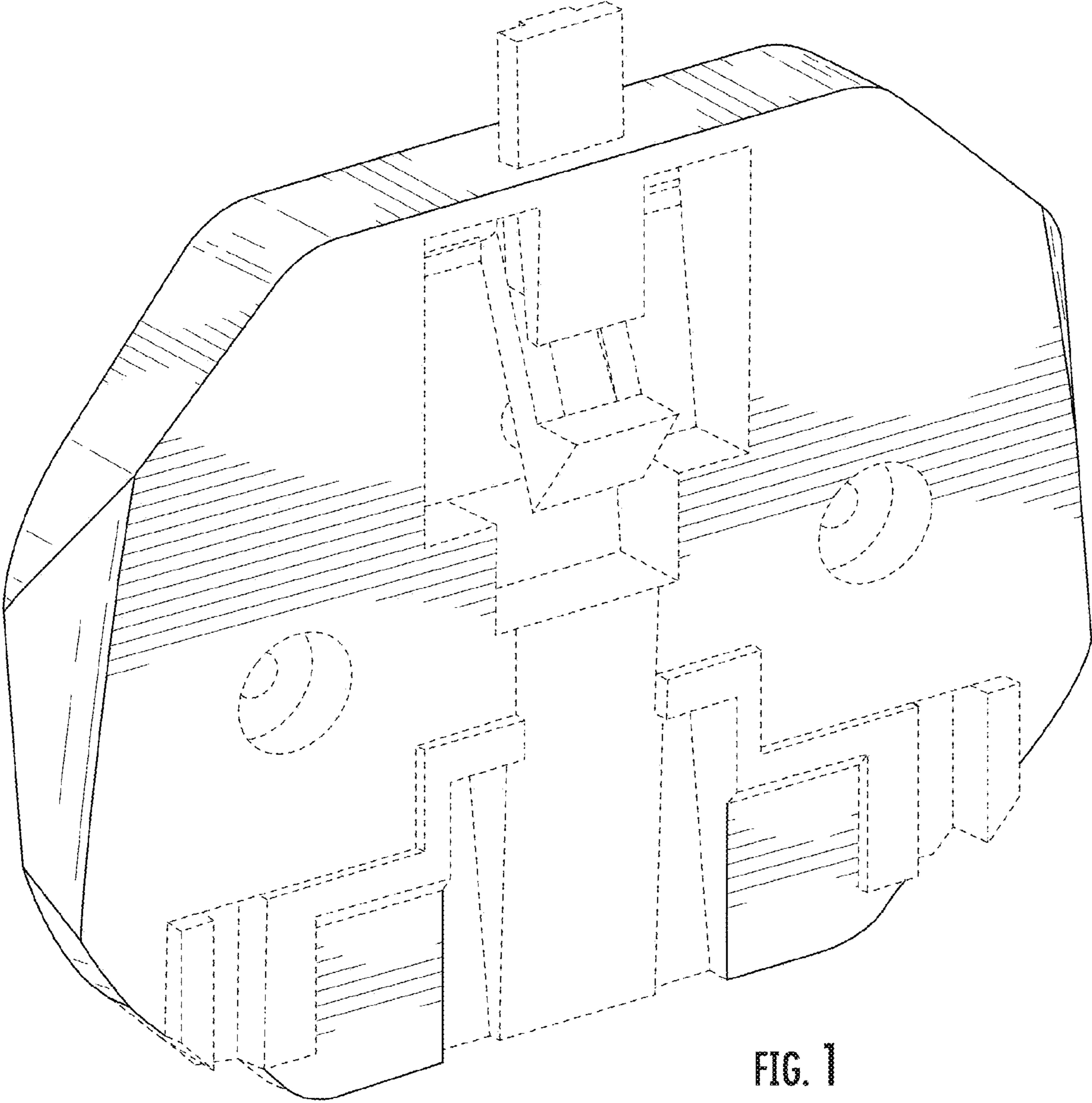


FIG. 1

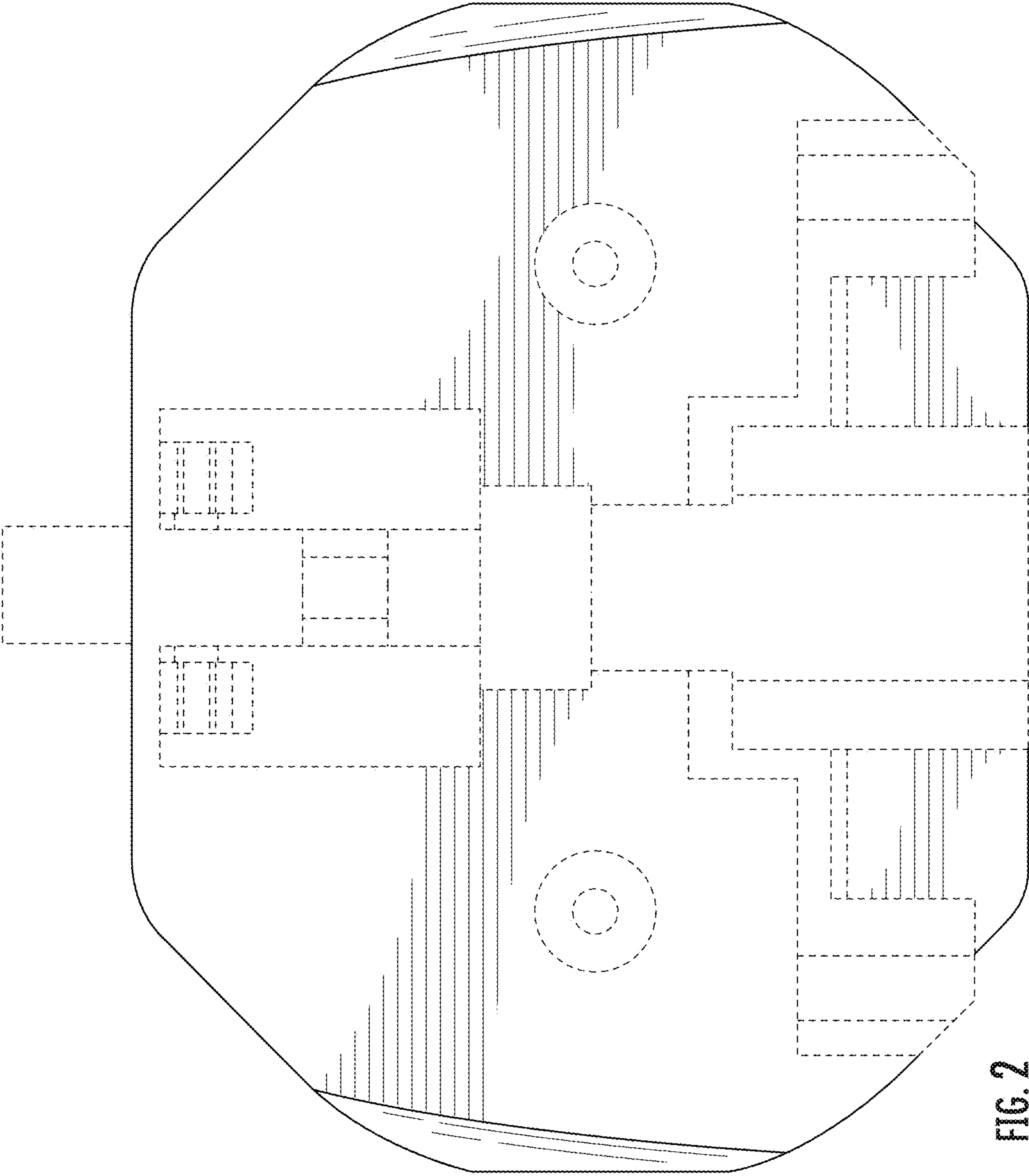


FIG. 2

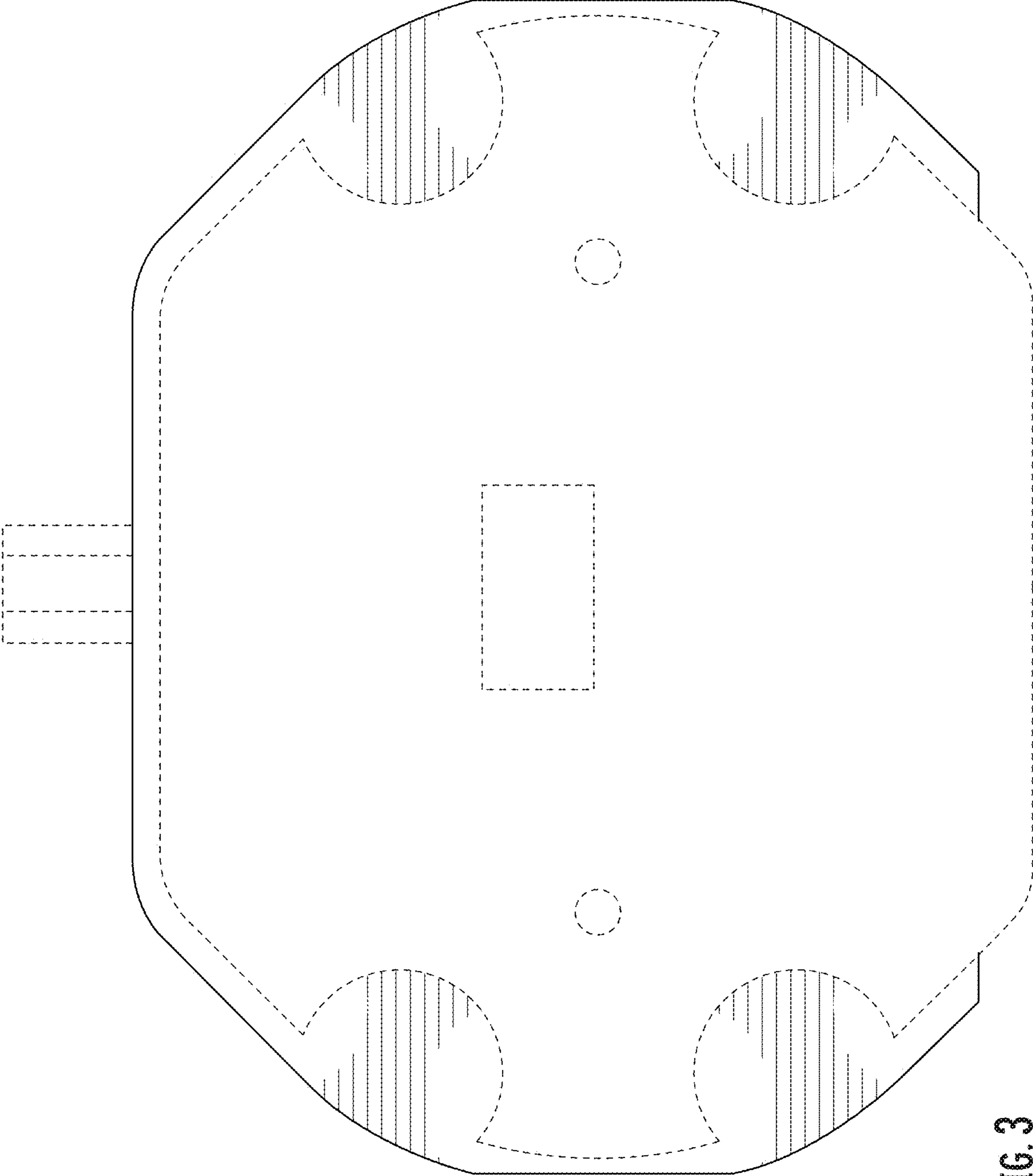


FIG. 3

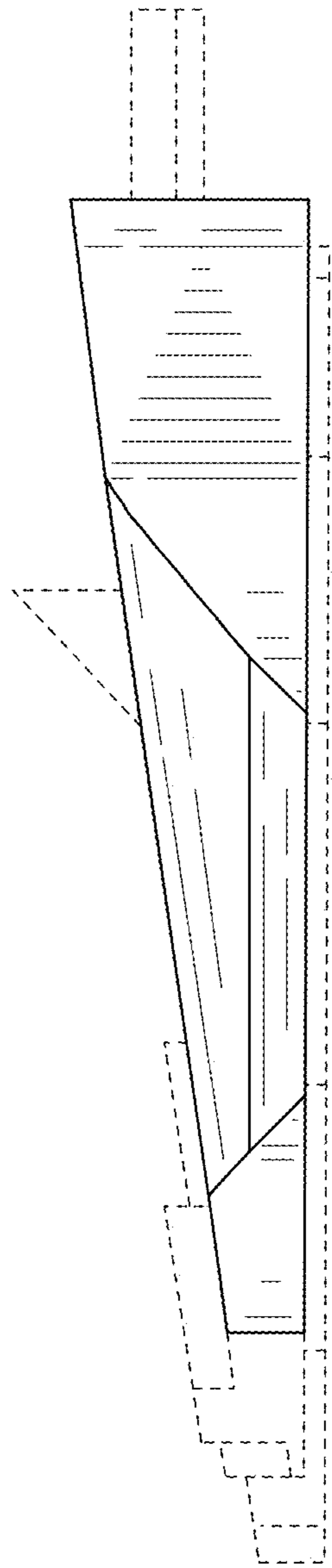


FIG. 4

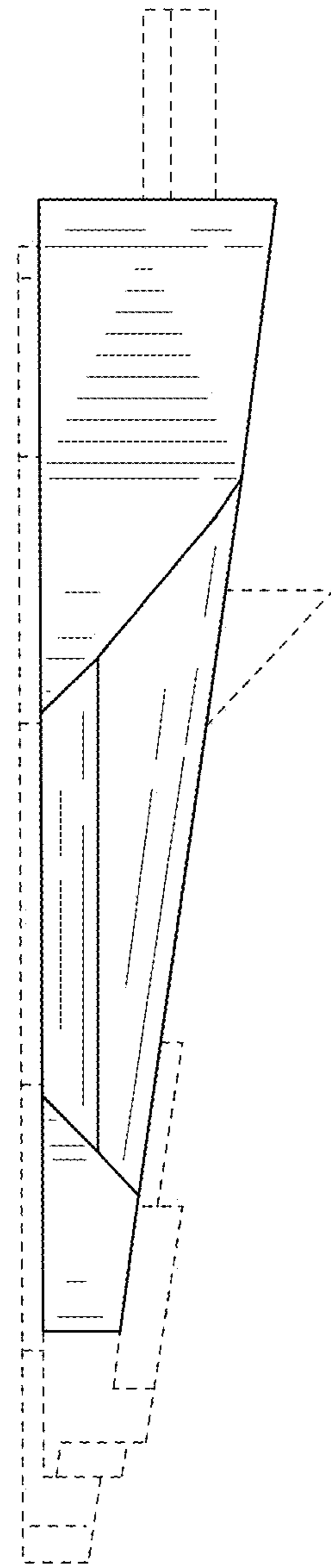


FIG. 5

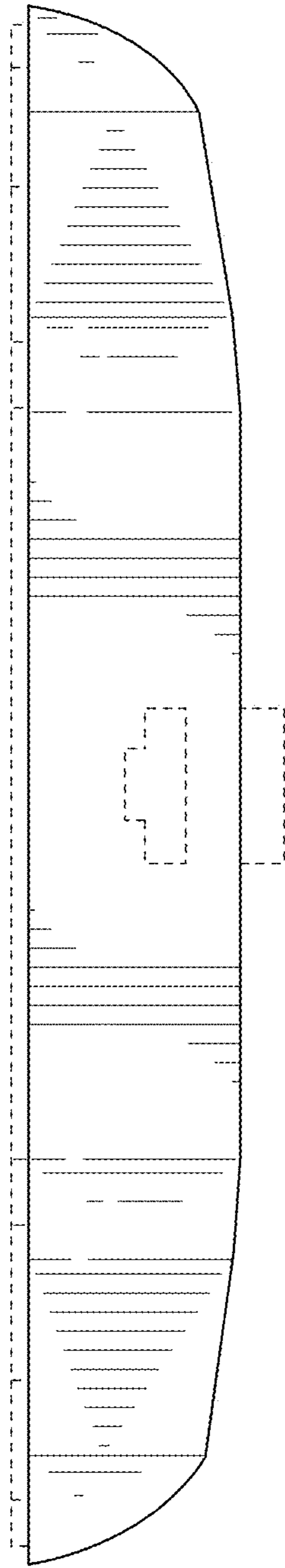


FIG. 6

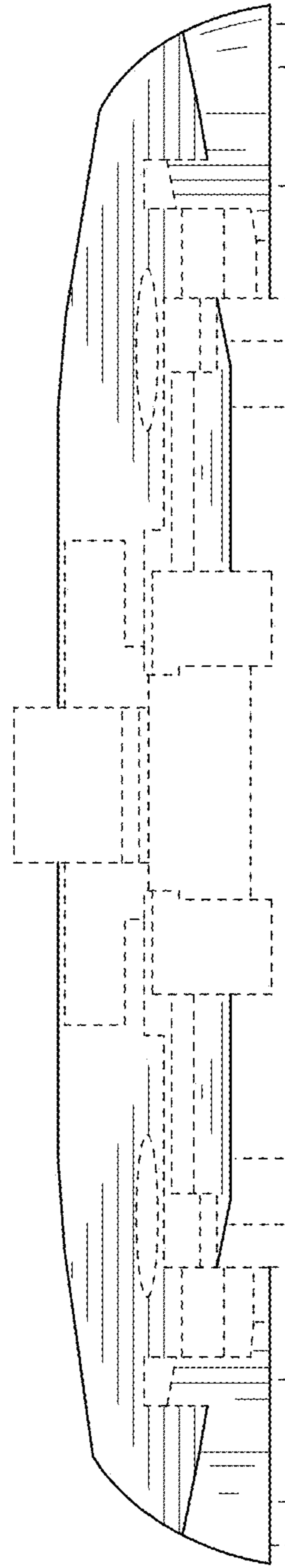


FIG. 7