



US00D946524S

(12) **United States Design Patent**
Raymond

(10) **Patent No.:** **US D946,524 S**

(45) **Date of Patent:** **** Mar. 22, 2022**

(54) **WIND POWERED GENERATOR**

(71) Applicant: **David Raymond**, New Oxford, PA
(US)

(72) Inventor: **David Raymond**, New Oxford, PA
(US)

(**) Term: **15 Years**

(21) Appl. No.: **29/748,636**

(22) Filed: **Aug. 31, 2020**

(51) **LOC (13) Cl.** **13-01**

(52) **U.S. Cl.**
USPC **D13/115**

(58) **Field of Classification Search**
USPC D13/112, 114, 115, 118, 122
CPC F03D 9/32; F03D 3/061; F03D 1/0658;
F03D 1/0608; F03D 1/04; B64C 11/001
See application file for complete search history.

(56) **References Cited**

U.S. PATENT DOCUMENTS

- 372,148 A * 10/1887 Henderson F03D 3/061
415/4.2
- 3,924,966 A * 12/1975 Taminini F03D 1/0608
416/177
- 4,140,433 A * 2/1979 Eckel F03D 1/0658
415/209.1
- 4,398,096 A * 8/1983 Faurholtz F03D 1/02
290/55
- 4,424,452 A * 1/1984 Francis F03D 9/32
290/55
- D374,656 S 10/1996 Richardson
- 5,844,324 A 12/1998 Spriggle
- D487,060 S * 2/2004 Ehrenberger D13/115
- 7,135,786 B1 11/2006 Deets
- 7,559,191 B2 * 7/2009 Parks B64C 11/001
416/245 R

- 7,808,121 B1 10/2010 Glynn
- 8,253,262 B1 8/2012 Kiler
- D704,136 S * 5/2014 Rubio D13/115
- D715,737 S * 10/2014 Cooper D13/115
- D762,579 S * 8/2016 Wilkins D13/122
- D801,927 S * 11/2017 Cooper, II D13/115
- D811,331 S * 2/2018 Garvey D13/122
- D819,567 S * 6/2018 Garvey D13/112
- 2011/0031043 A1 2/2011 Armani

FOREIGN PATENT DOCUMENTS

WO WO9832626 7/1998

OTHER PUBLICATIONS

Samara Polytech, Date: Mar. 26, 2020, [online], [site visited [Oct. 7, 2021]. Available from internet, URL: <https://www.eurekaalert.org/news-releases/644530> (Year: 2020).*

* cited by examiner

Primary Examiner — Shawn T Gingrich
Assistant Examiner — Bryan Nolan Melvin

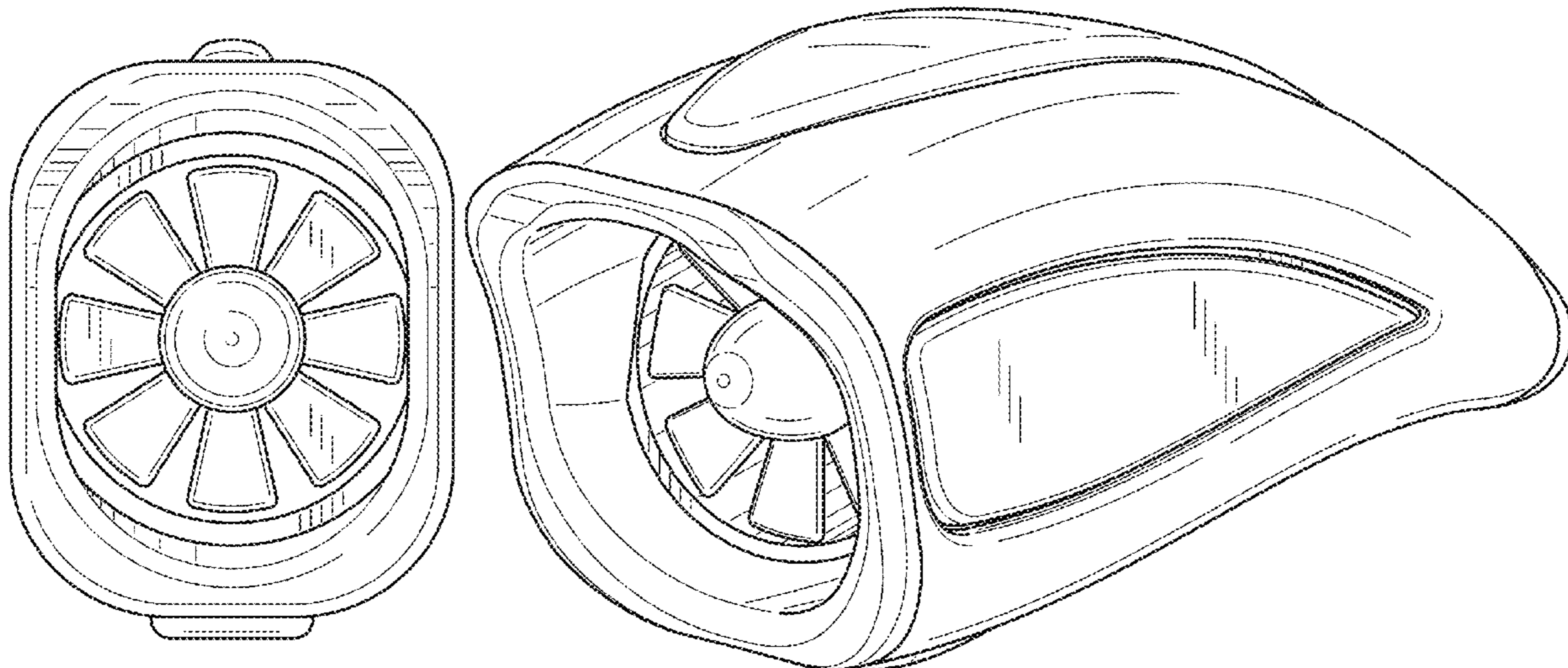
(57) **CLAIM**

The ornamental design for a wind powered generator, as shown and described.

DESCRIPTION

FIG. 1 is a front view of a wind powered generator showing my new design;
FIG. 2 is a rear view of the wind powered generator;
FIG. 3 is a right side view of the wind powered generator;
FIG. 4 is a left side view of the wind powered generator;
FIG. 5 is a top view of the wind powered generator;
FIG. 6 is a bottom view of the wind powered generator; and,
FIG. 7 is a top front side perspective view of the wind powered generator.

1 Claim, 4 Drawing Sheets



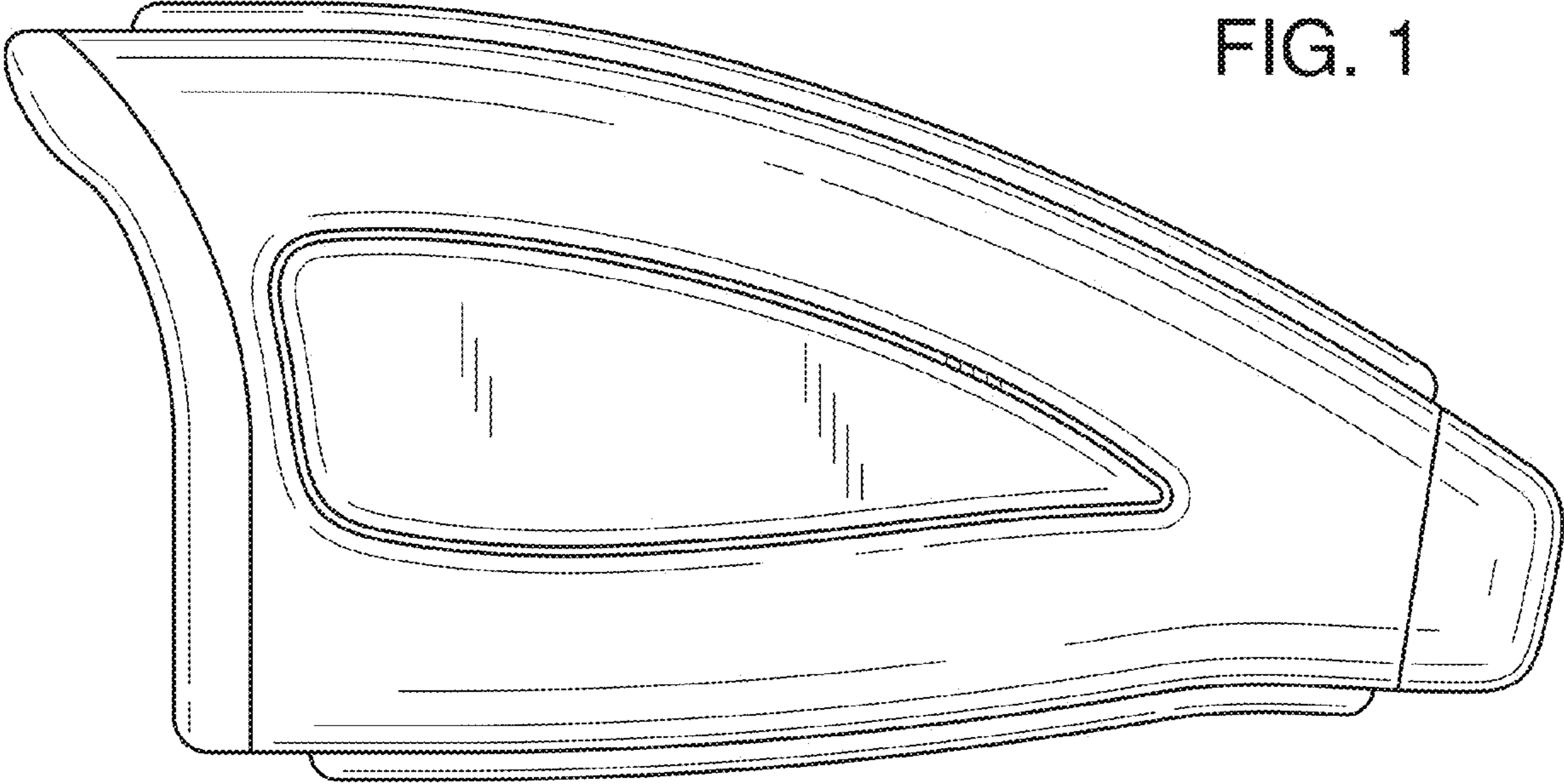


FIG. 1

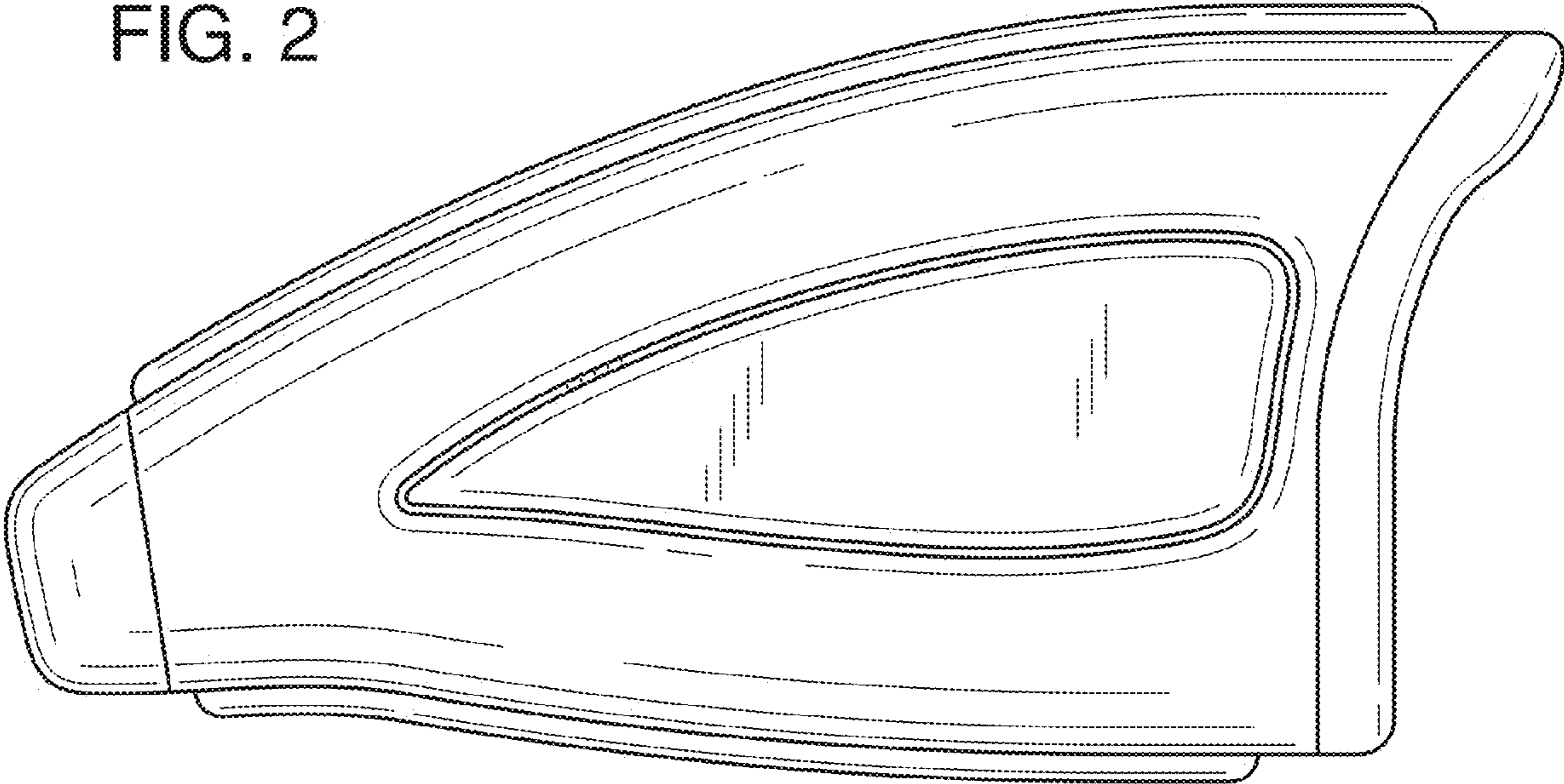


FIG. 2

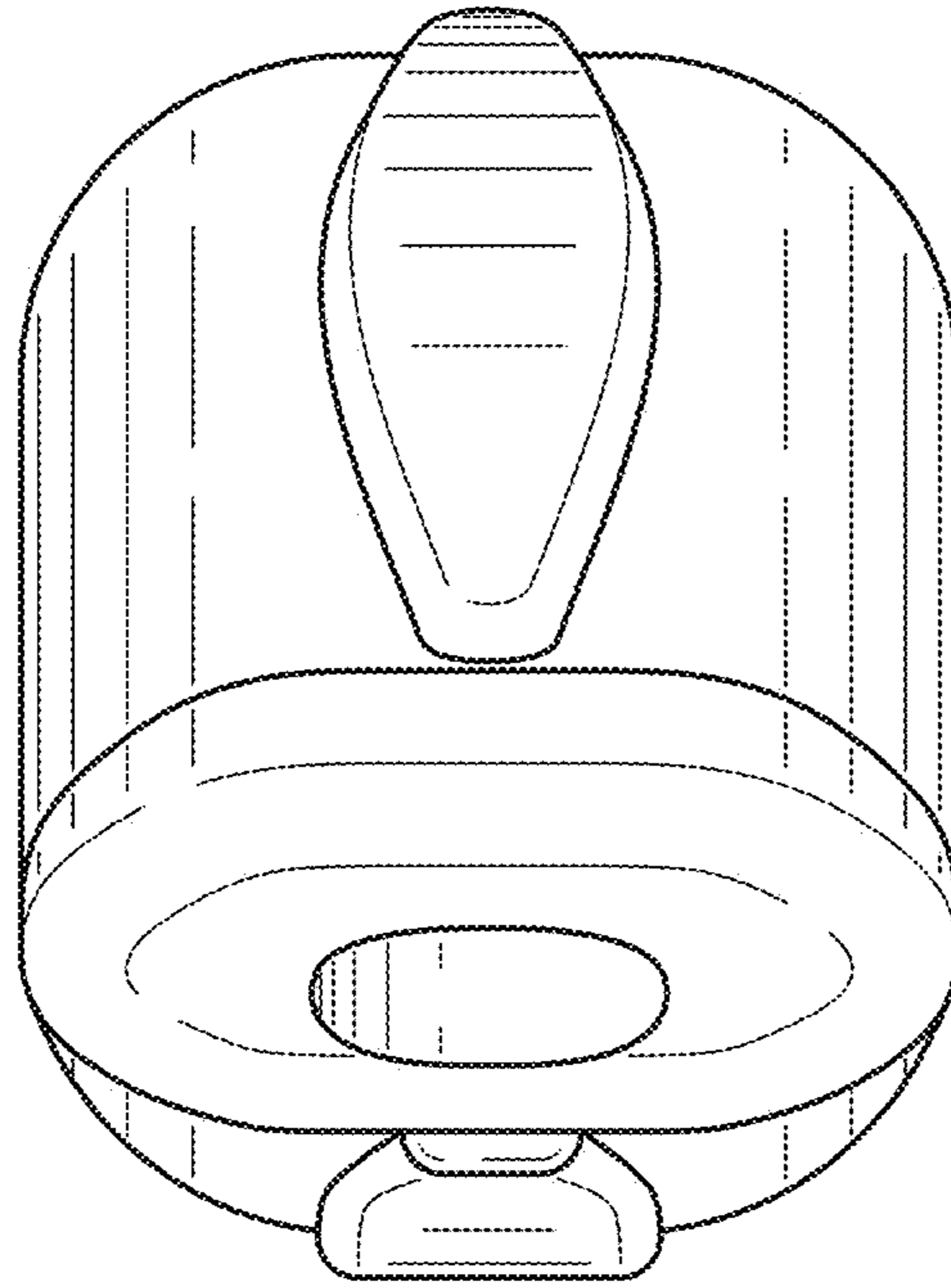


FIG. 3

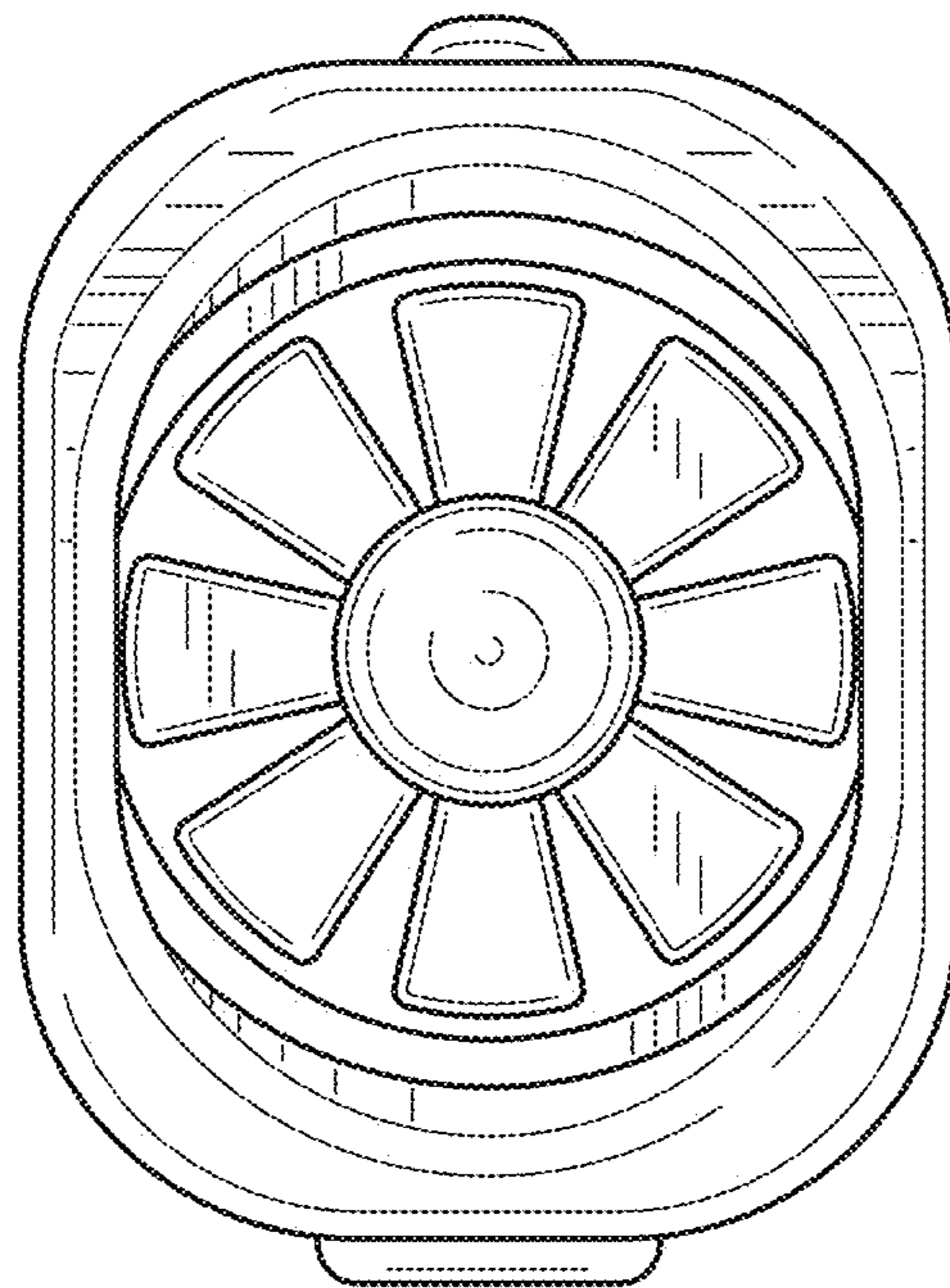


FIG. 4

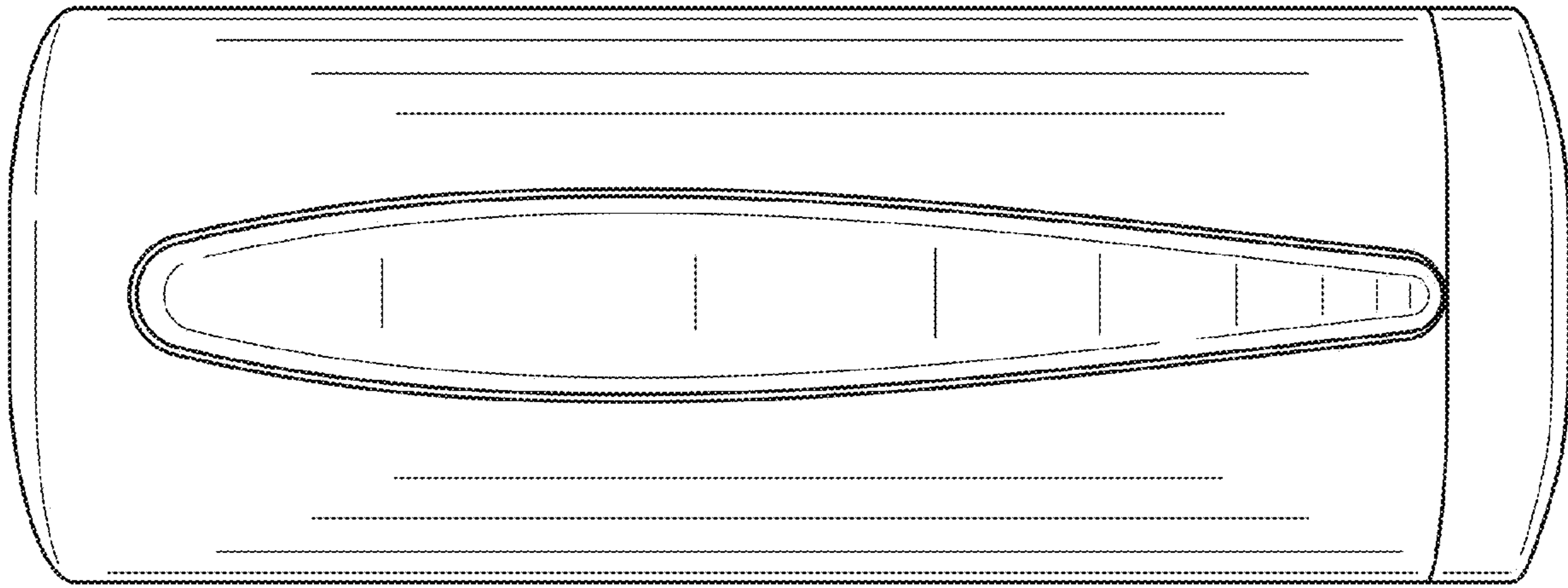


FIG. 5

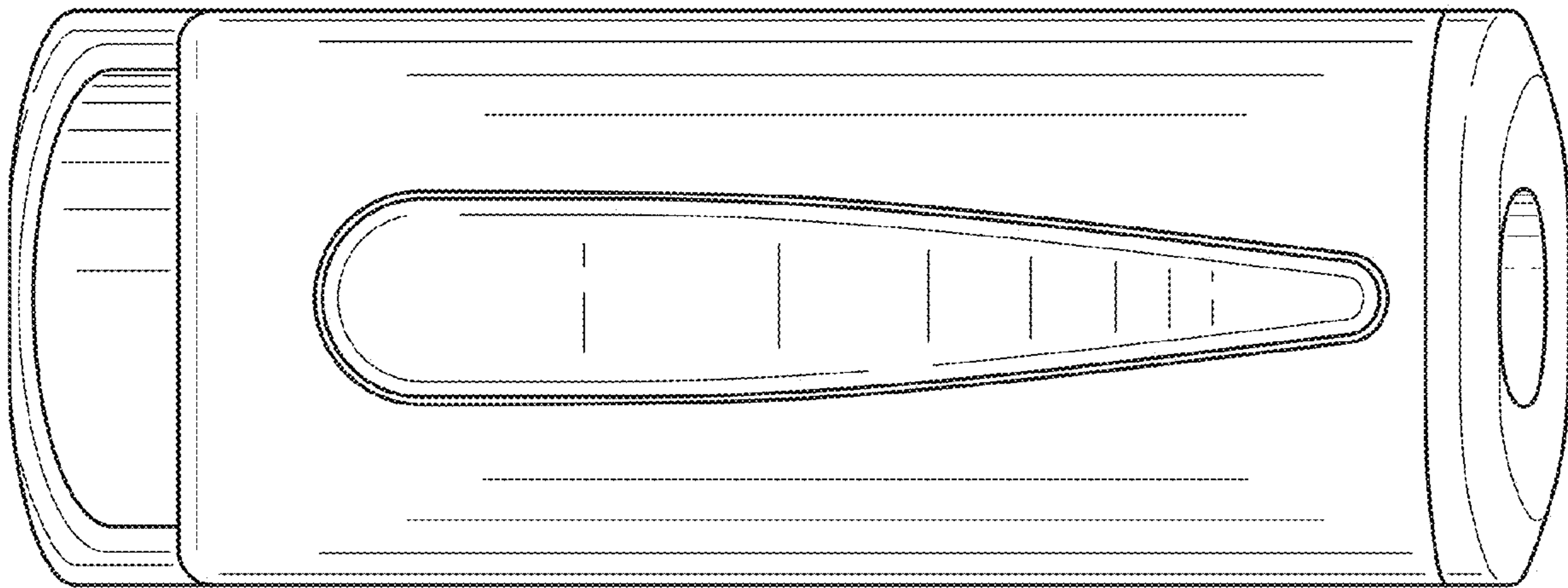


FIG. 6

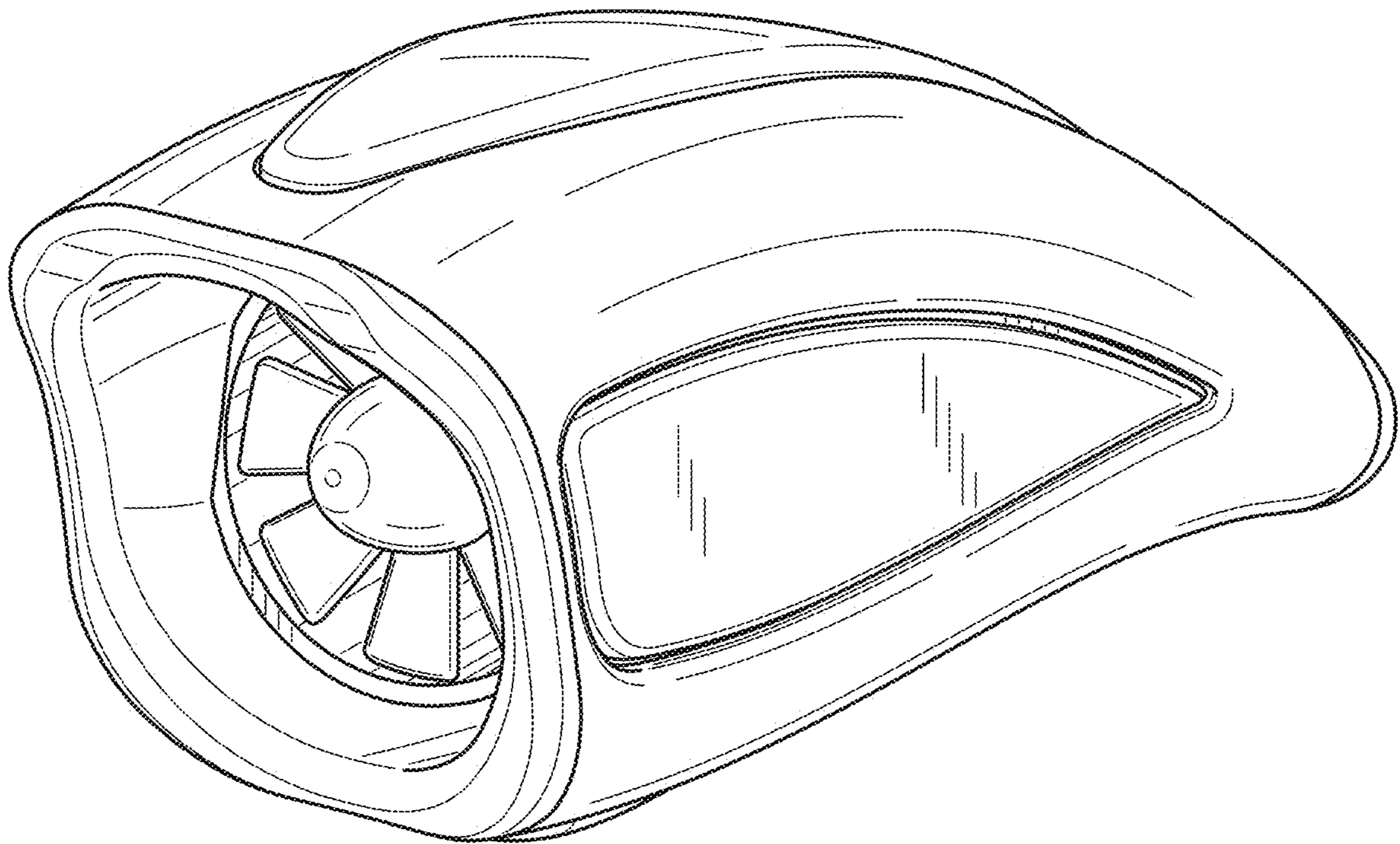


FIG. 7