



US00D946523S

(12) **United States Design Patent**
Simon et al.

(10) **Patent No.:** **US D946,523 S**
(45) **Date of Patent:** **** Mar. 22, 2022**

(54) **ELECTRICAL GENERATOR**

(56) **References Cited**

(71) Applicant: **Cummins Generator Technologies Limited**, Peterborough (GB)
(72) Inventors: **Kevan John Simon**, Peterborough (GB); **Neil Brown**, Peterborough (GB); **Peethamparam Anpalahan**, Peterborough (GB); **Philip Bend**, Peterborough (GB); **Robert Mitchell Rolston**, Peterborough (GB)

U.S. PATENT DOCUMENTS

D295,621 S *	5/1988	Lent	D13/114
D574,325 S *	8/2008	Naghshineh	D13/114
D618,615 S *	6/2010	Basic	D13/114
7,965,005 B2 *	6/2011	Schmidt	H02K 7/1025 310/71
D712,354 S *	9/2014	Veeh	D13/112
D772,814 S *	11/2016	Rivault	D13/114
D780,119 S *	2/2017	Schieck	D13/112
D794,563 S *	8/2017	Matta	D13/114

(73) Assignee: **Cummins Generator Technologies Limited**, Peterborough (GB)

* cited by examiner

(**) Term: **15 Years**

Primary Examiner — Derrick E Holland

(21) Appl. No.: **29/716,901**

(74) *Attorney, Agent, or Firm* — Foley & Lardner LLP

(22) Filed: **Dec. 12, 2019**

(57) **CLAIM**

(30) **Foreign Application Priority Data**

Sep. 9, 2019 (EM) 006850863-0001
Sep. 9, 2019 (EM) 006850863-0002
Sep. 9, 2019 (EM) 006850863-0003

We claim the ornamental design for an electrical generator, as shown and described.

(51) **LOC (13) Cl.** **13-01**

(52) **U.S. Cl.**
USPC **D13/112**

DESCRIPTION

(58) **Field of Classification Search**
USPC D13/101, 112, 113, 114, 117, 118, 120,
D13/122, 199; D15/1, 3, 5, 199;
D23/370, 377
CPC . F02B 63/04; H02K 3/24; H02K 3/47; H02K
1/12; H02K 5/02; H02K 5/04; H02K
5/08; H02K 5/18; H02K 5/20; H02K
11/0094; H02K 9/06; H02K 9/14
See application file for complete search history.

FIG. 1 is a top, front, left isometric view of an electrical generator showing the new design;
FIG. 2 is a front elevational view thereof;
FIG. 3 is a rear elevational view thereof;
FIG. 4 is a right side elevational view thereof;
FIG. 5 is a left side elevational view thereof;
FIG. 6 is a top plan view thereof; and,
FIG. 7 is a bottom plan view thereof.

The ornamental design which is claimed is shown in solid lines in the drawings. Any broken lines in the figures illustrate portions of the electrical generator that form no part of the claimed design.

1 Claim, 7 Drawing Sheets

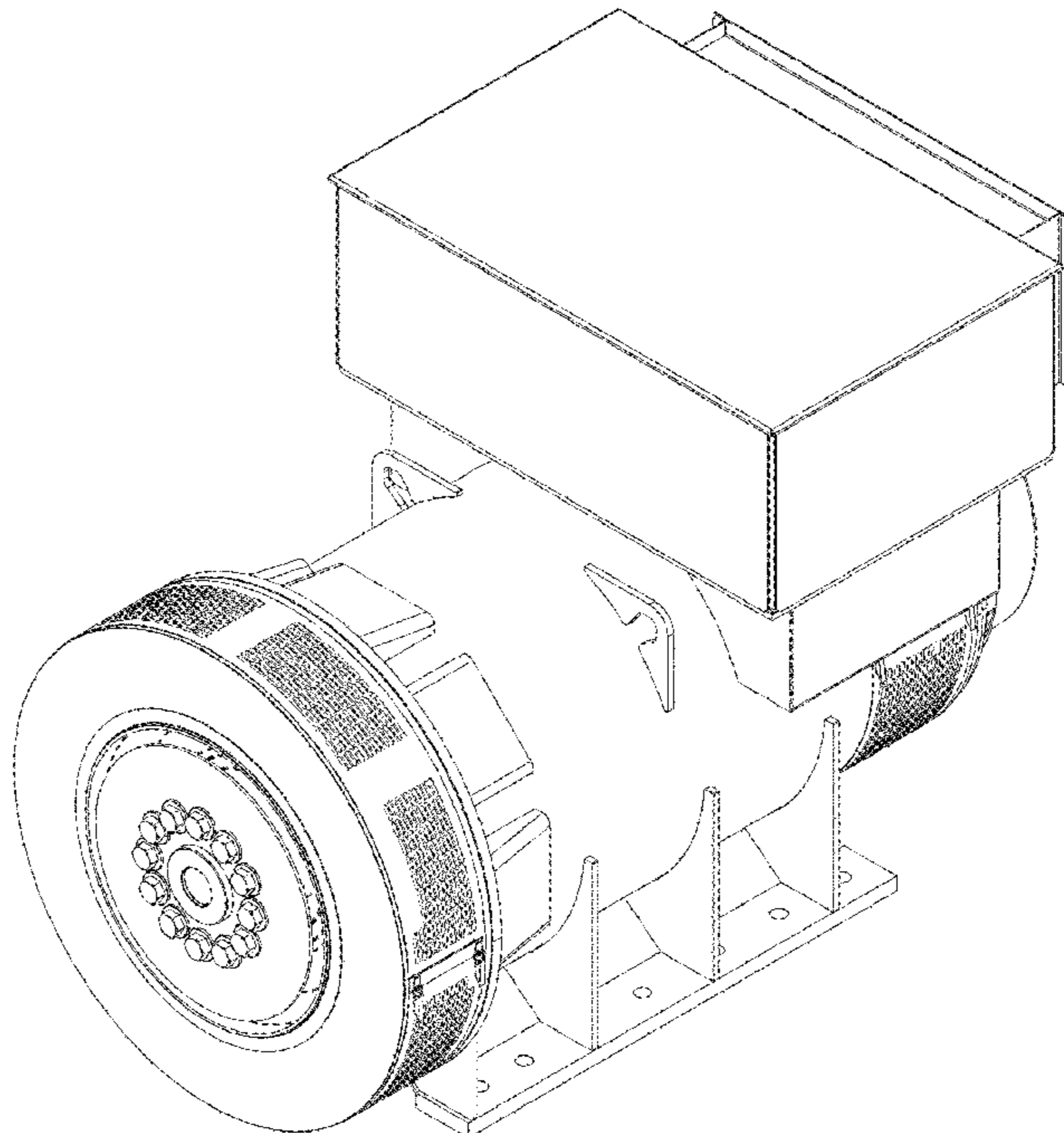


FIG. 1

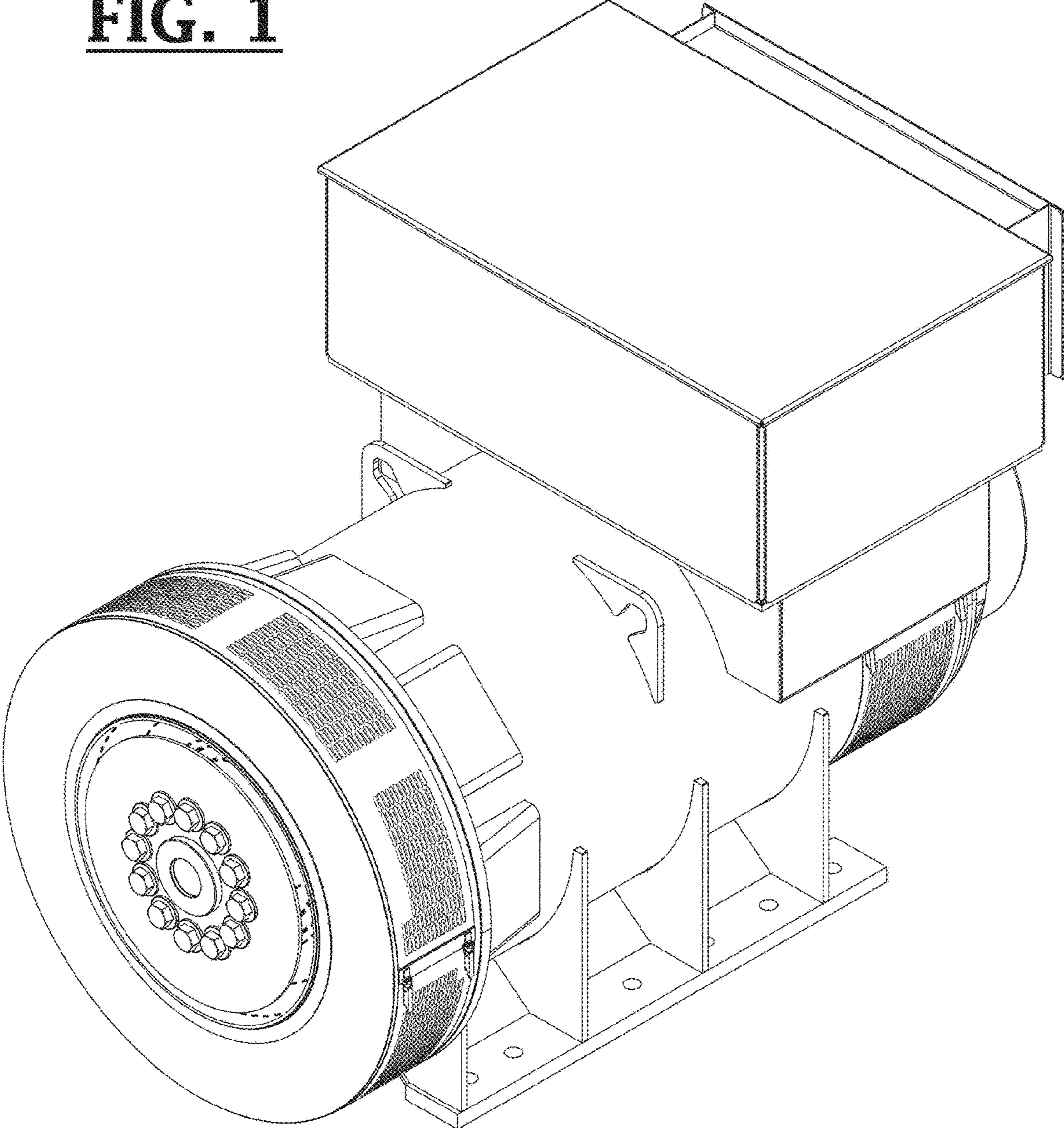


FIG. 2

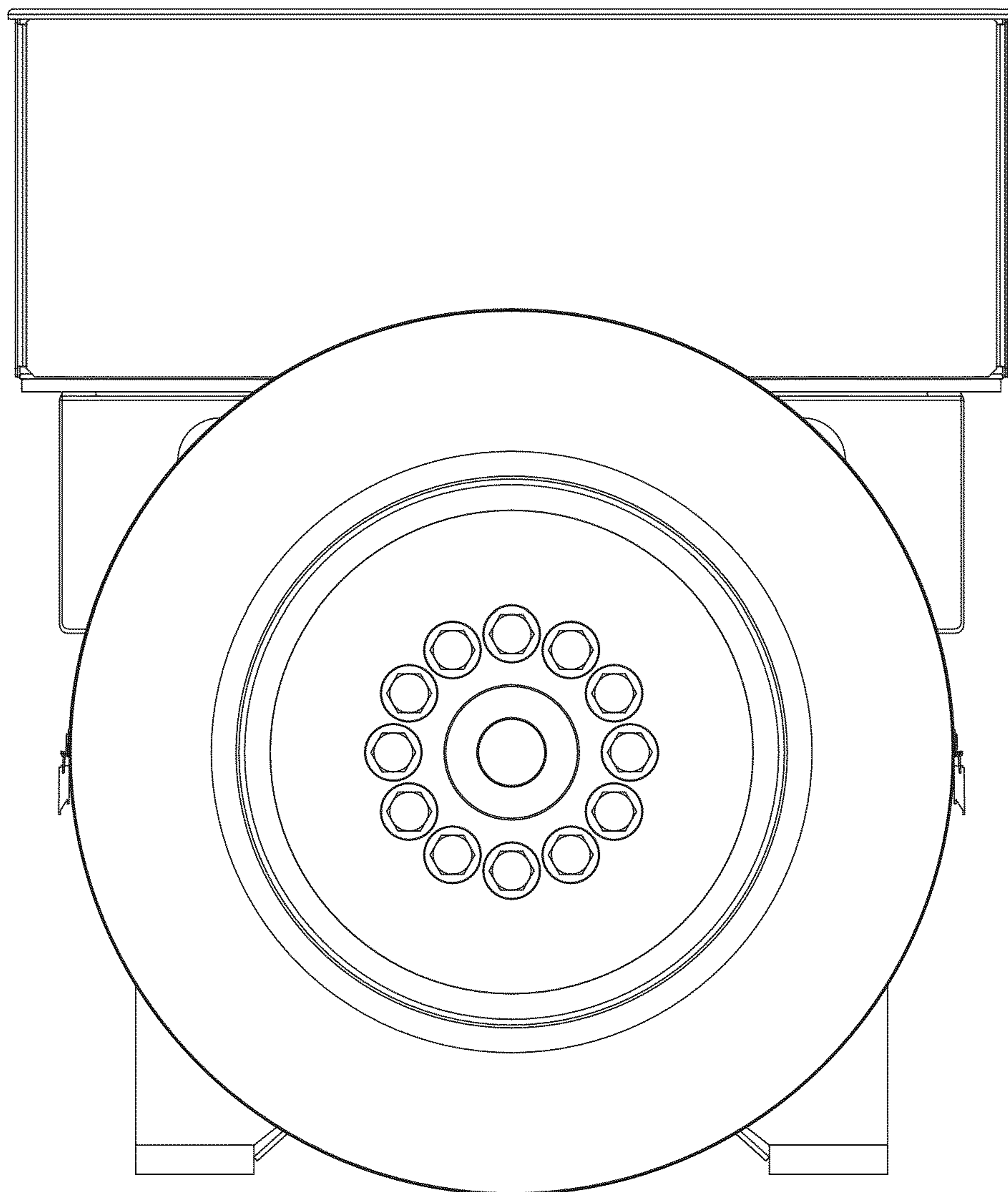


FIG. 3

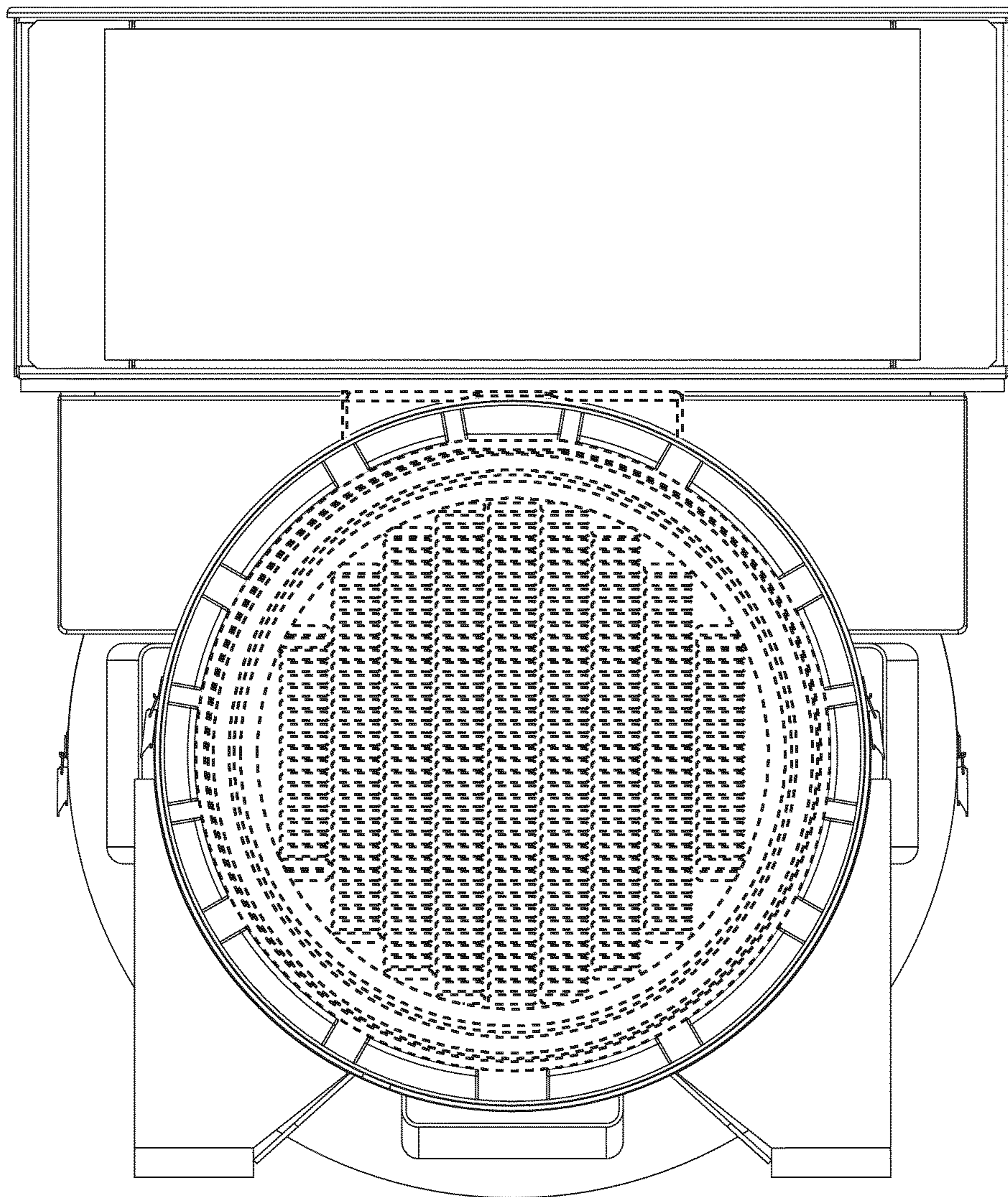


FIG. 4

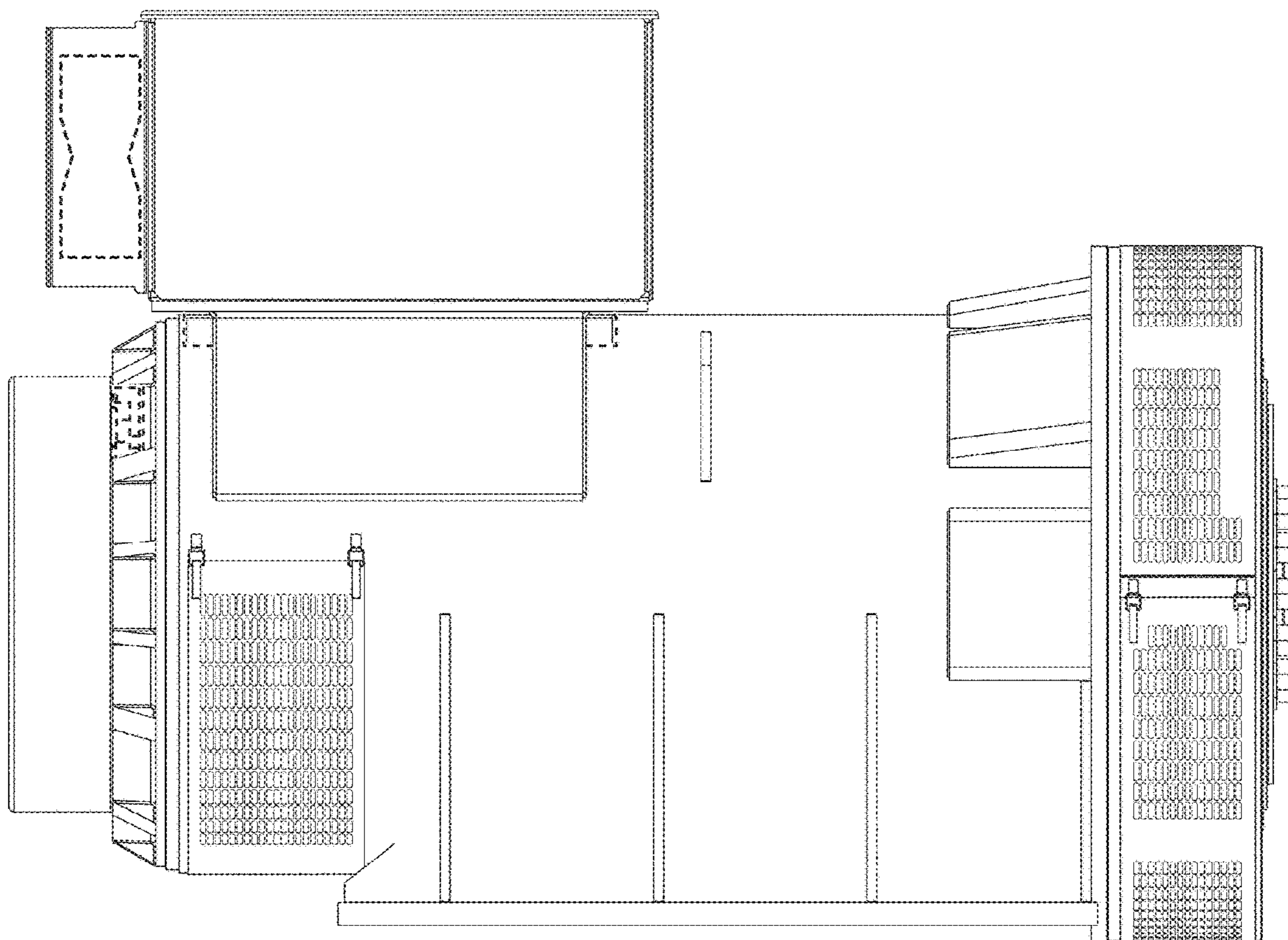


FIG. 5

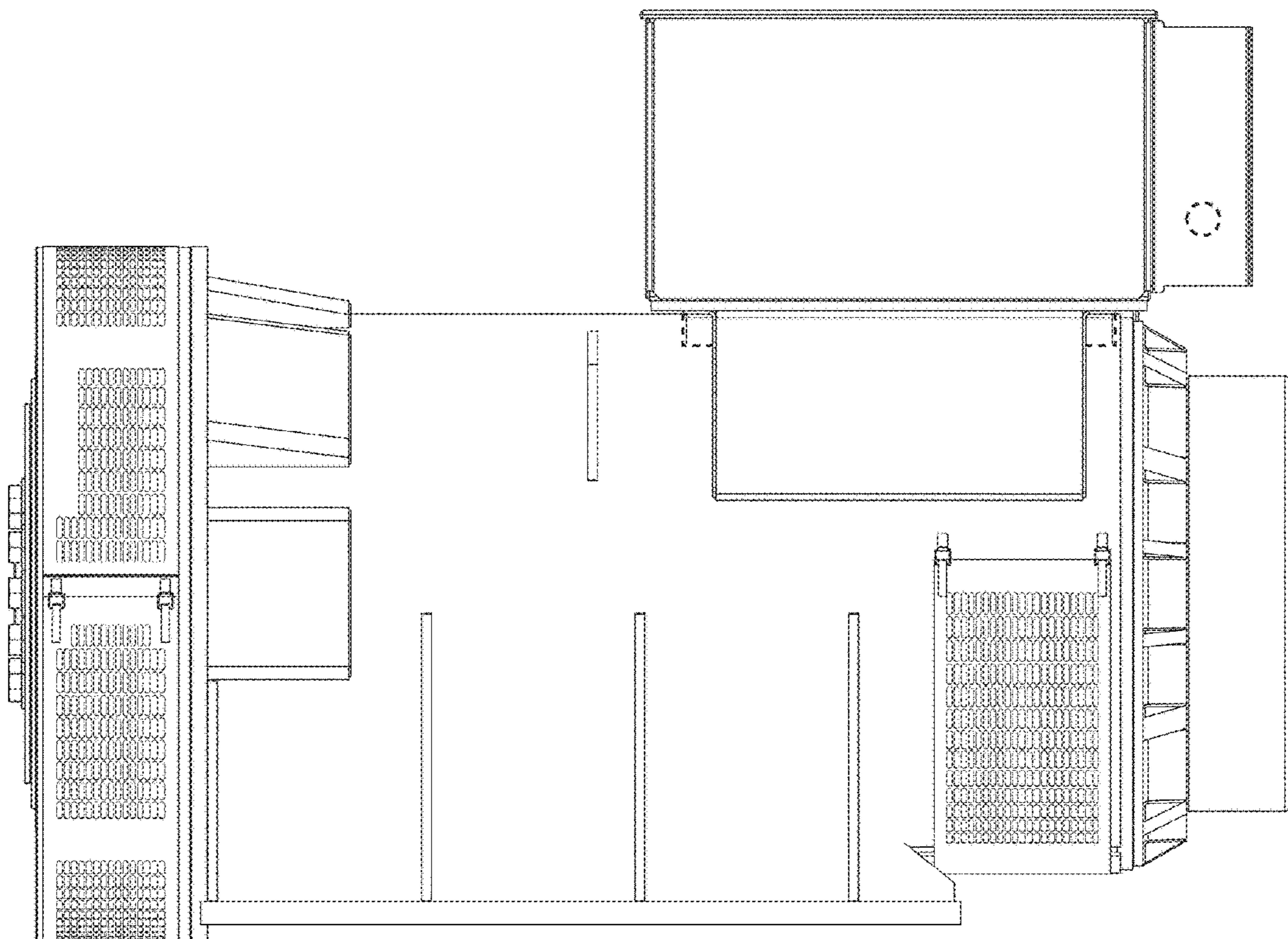


FIG. 6

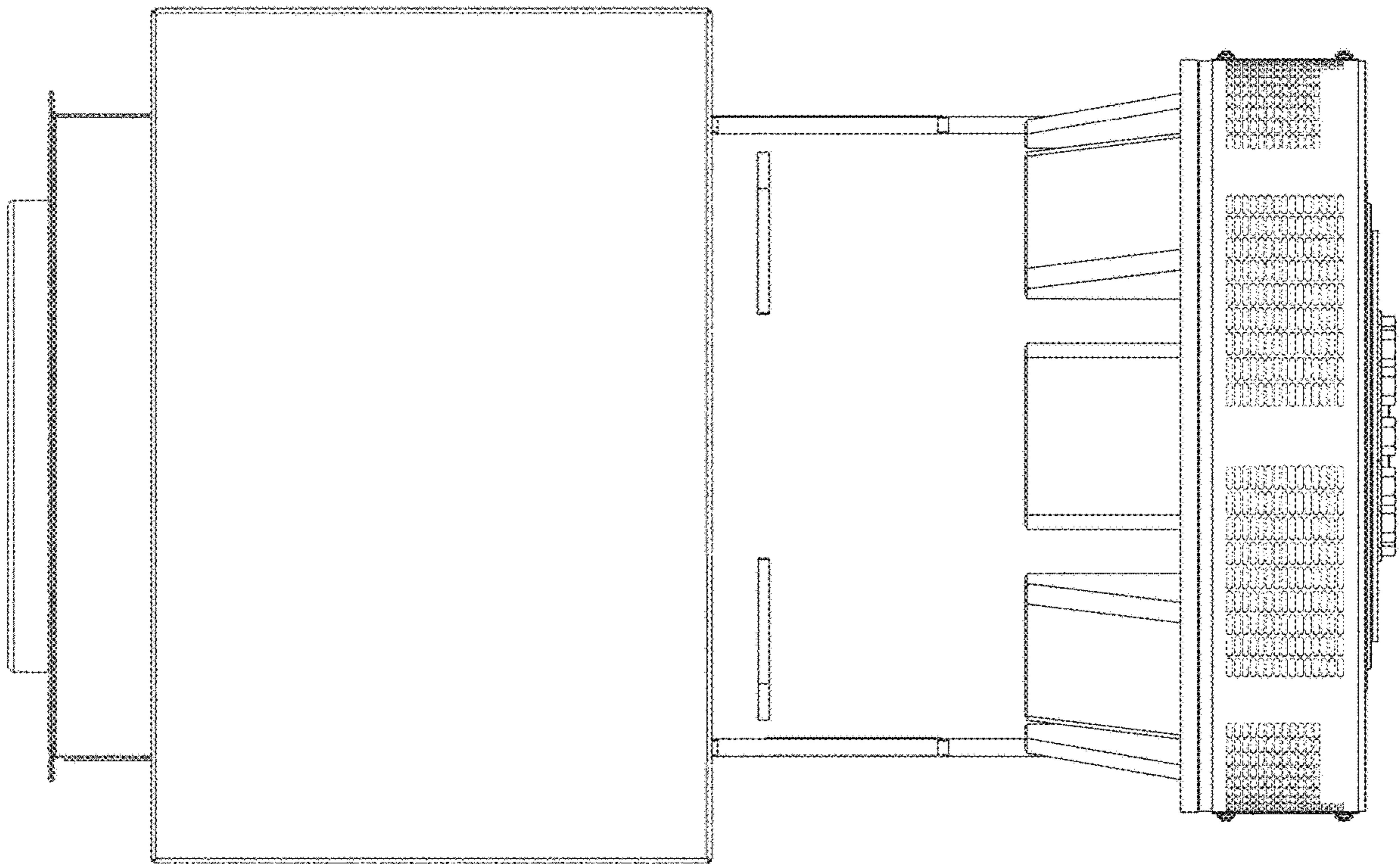


FIG. 7

