



US00D946522S

(12) **United States Design Patent**
Norris et al.

(10) **Patent No.:** **US D946,522 S**
(45) **Date of Patent:** **** Mar. 22, 2022**

(54) **POWERBASE HOUSING**

(71) Applicant: **DEKA Products Limited Partnership**,
Manchester, NH (US)

(72) Inventors: **Matthew A. Norris**, Londonderry, NH
(US); **Alexander D. Streeter**, Concord,
NH (US); **David E. Collins**, Amesbury,
MA (US); **Prashant Bhat**, Bedford, NH
(US); **Trevor A. Conway**, Manchester,
NH (US)

(73) Assignee: **DEKA Products Limited Partnership**,
Manchester, NH (US)

(**) Term: **15 Years**

(21) Appl. No.: **29/800,990**

(22) Filed: **Jul. 26, 2021**

2/342; H05K 5/023; A61G 5/041; A61G
5/046; A61G 5/047; A61G 5/048; A61G
5/063; A61G 5/128; A61G 5/1089; H02B
1/16; H02B 1/26; H02B 1/305

See application file for complete search history.

(56) **References Cited**

U.S. PATENT DOCUMENTS

D453,142	S	*	1/2002	Watanabe	D13/118
D462,329	S	*	9/2002	Hughes	D13/152
D552,030	S	*	10/2007	Wright	D13/110
D579,417	S	*	10/2008	Stuckmann	D13/152
D591,699	S	*	5/2009	Correll	D13/184
D706,217	S	*	6/2014	McKune	D13/110
9,338,907	B2	*	5/2016	Bell	H05K 7/20918
D812,571	S	*	3/2018	Jackson	D13/152
2005/0027396	A1	*	2/2005	Yang	B60G 17/0157 700/245
2005/0285357	A1	*	12/2005	Lin	B62D 51/04 280/47.26

* cited by examiner

Primary Examiner — Derrick E Holland

(74) *Attorney, Agent, or Firm* — Kathleen Chapman

(57) **CLAIM**

The ornamental design of a powerbase housing, as shown and described.

DESCRIPTION

FIG. 1 is a front, top, right side perspective view of a powerbase housing, showing ournew design;
FIG. 2 is a rear, top, left side perspective view thereof;
FIG. 3 is a front, top, left side perspective view thereof;
FIG. 4 is an exploded perspective view thereof; and,
FIG. 5 is a rear, top, right side perspective view thereof.
The features shown in broken lines depict environmental structure only and form no part of the claimed design.

1 Claim, 4 Drawing Sheets

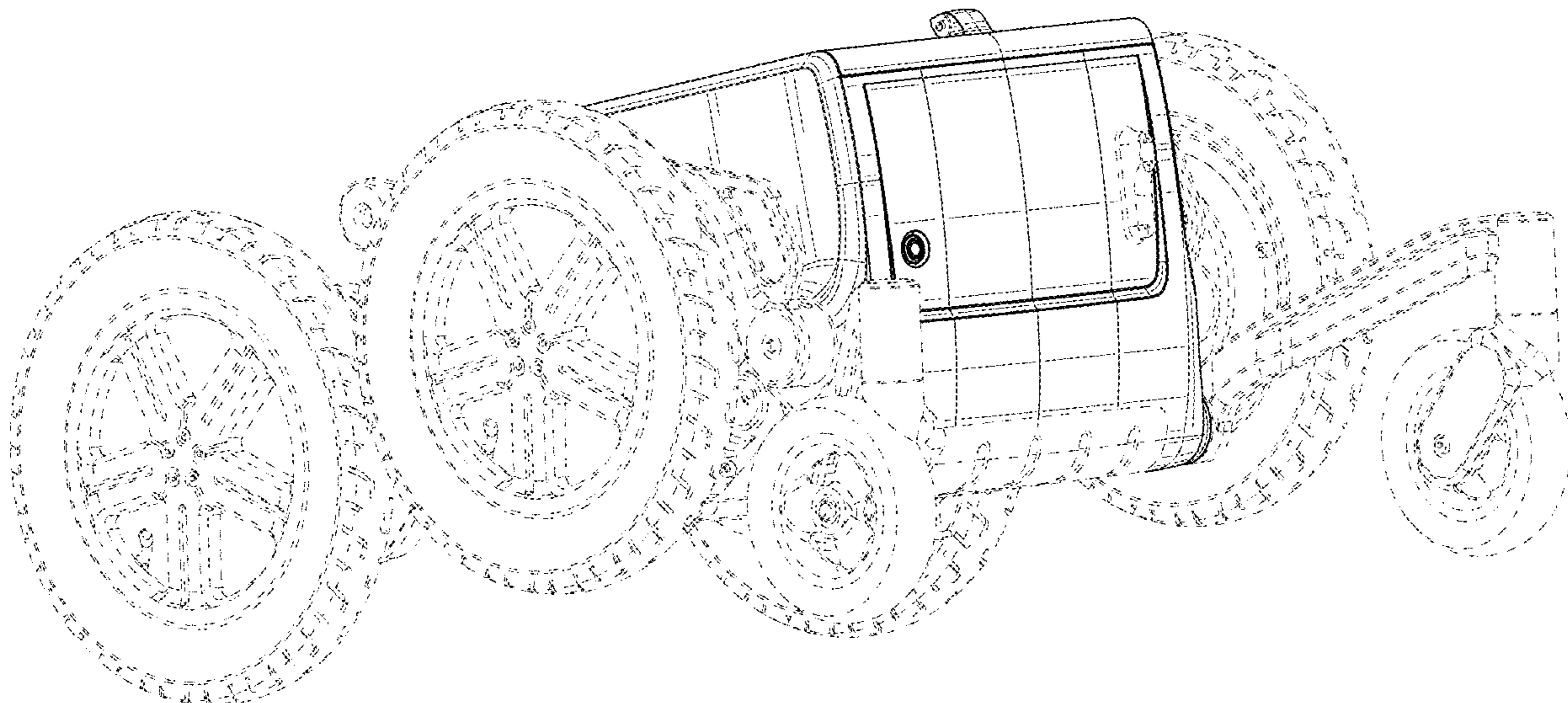
Related U.S. Application Data

(63) Continuation of application No. 29/757,855, filed on Nov. 10, 2020, now Pat. No. Des. 926,131, which is a continuation of application No. 29/690,306, filed on May 7, 2019, now Pat. No. Des. 903,591, which is a continuation of application No. 16/035,205, filed on Jul. 13, 2018.

(51) **LOC (13) Cl.** **13-02**

(52) **U.S. Cl.**
USPC **D13/110; D13/112**

(58) **Field of Classification Search**
USPC D13/110, 112, 101, 102, 103, 107, 108,
D13/118, 119, 122, 123, 152, 184, 199;
D12/1; D14/432, 433
CPC .. H02J 7/00; H02J 7/027; H02J 7/0042; H02J
7/0045; H02J 7/0047; H02J 7/0063;
H02M 7/00; H02M 7/003; H01M 2/202;
H01M 2/204; H01M 2/1022; H01M



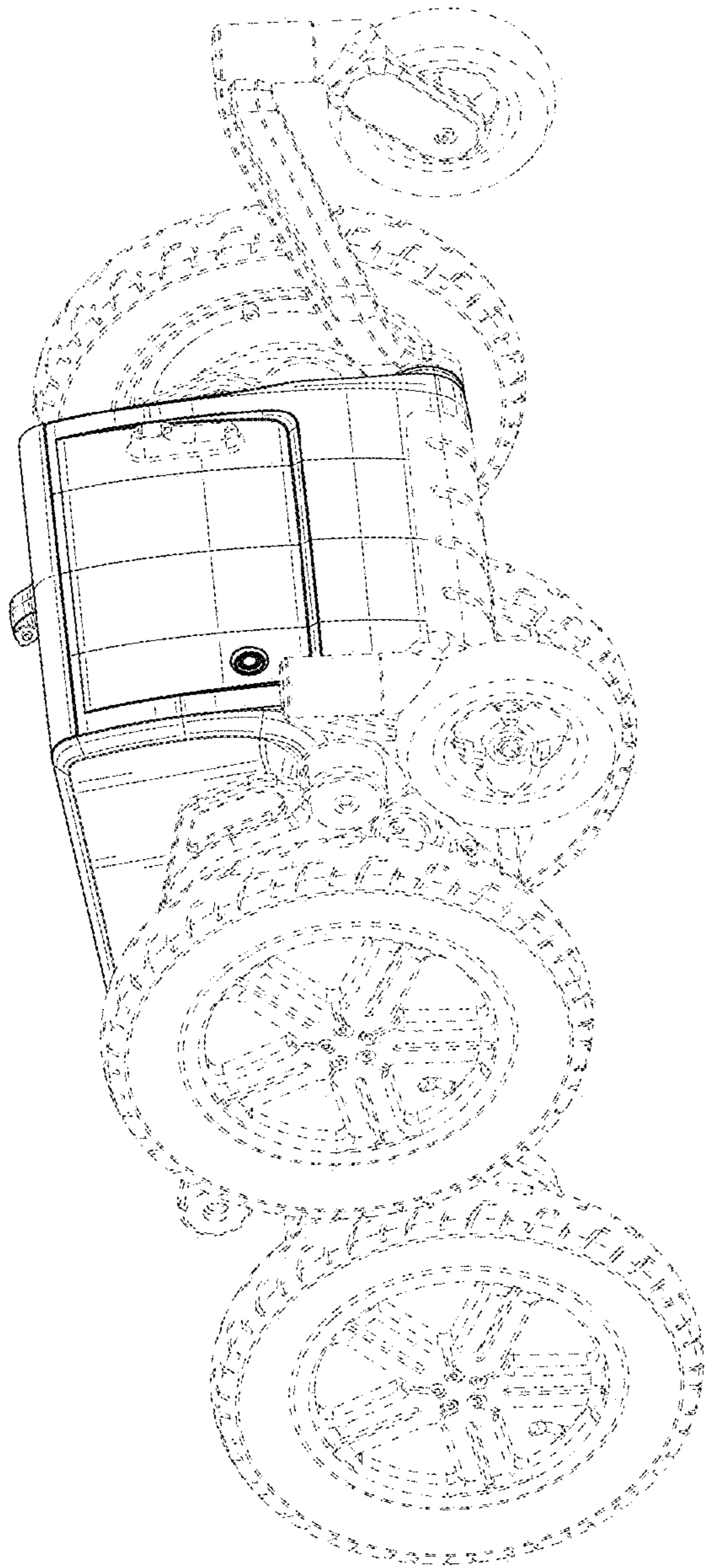


FIG. 1

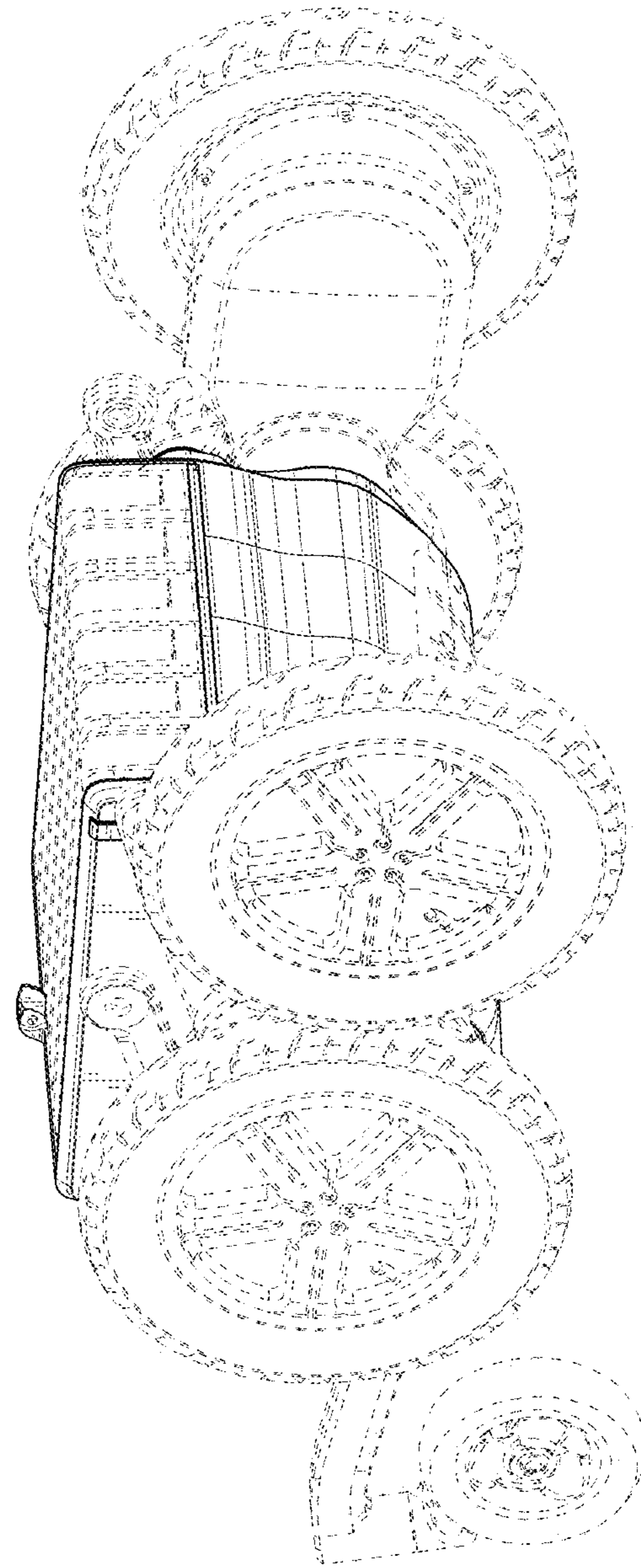


FIG. 2

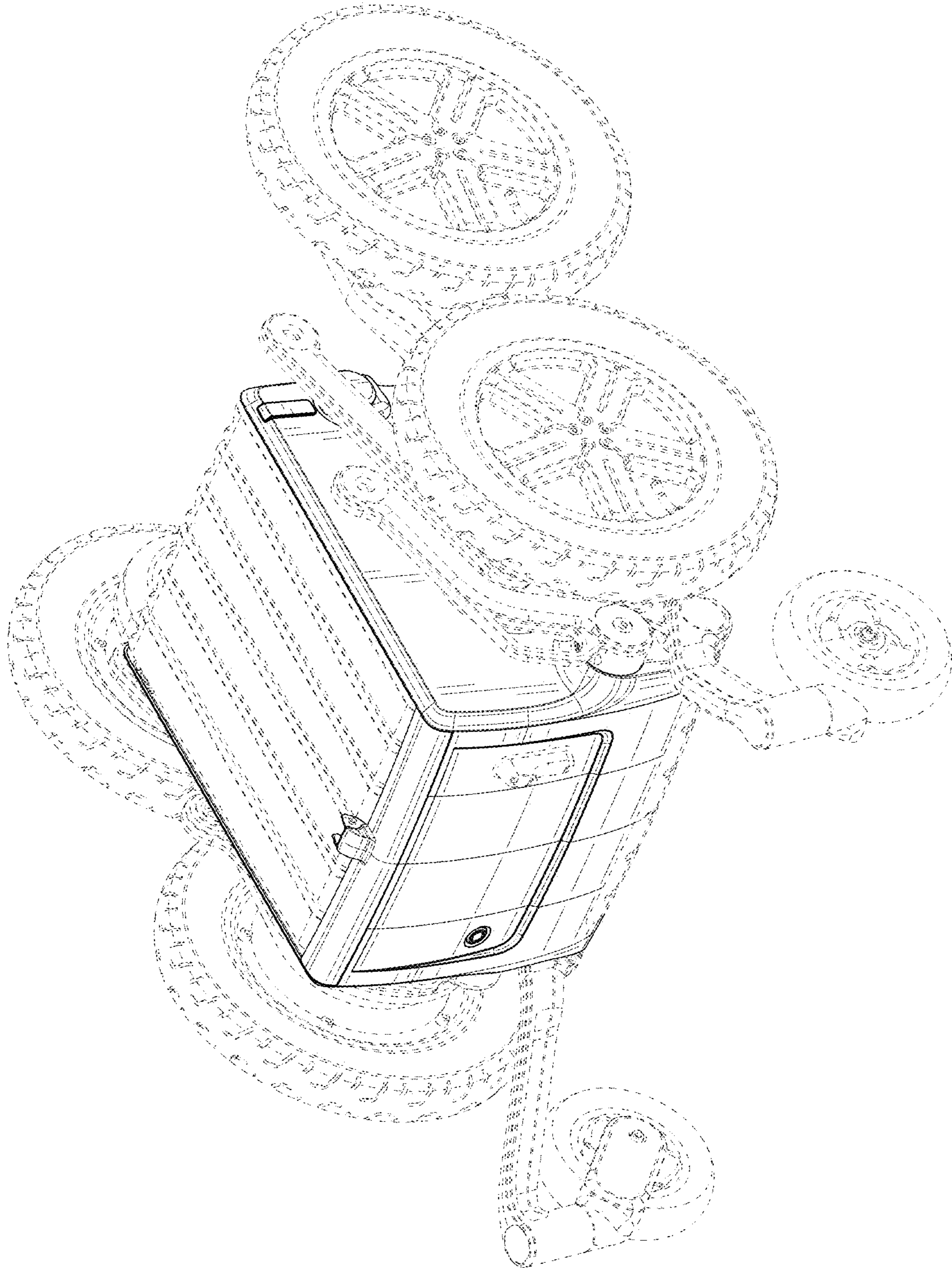


FIG. 3

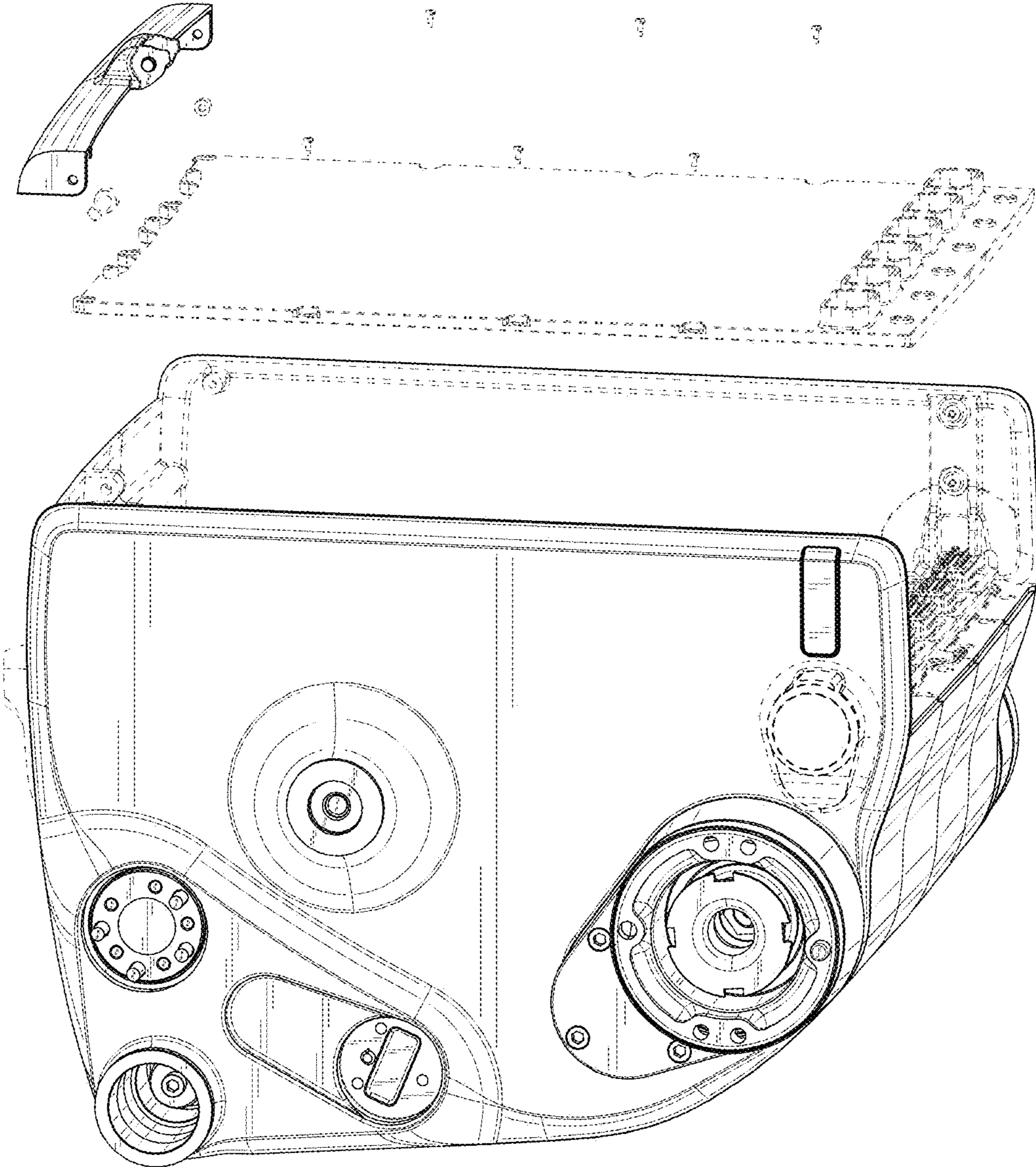


FIG. 4

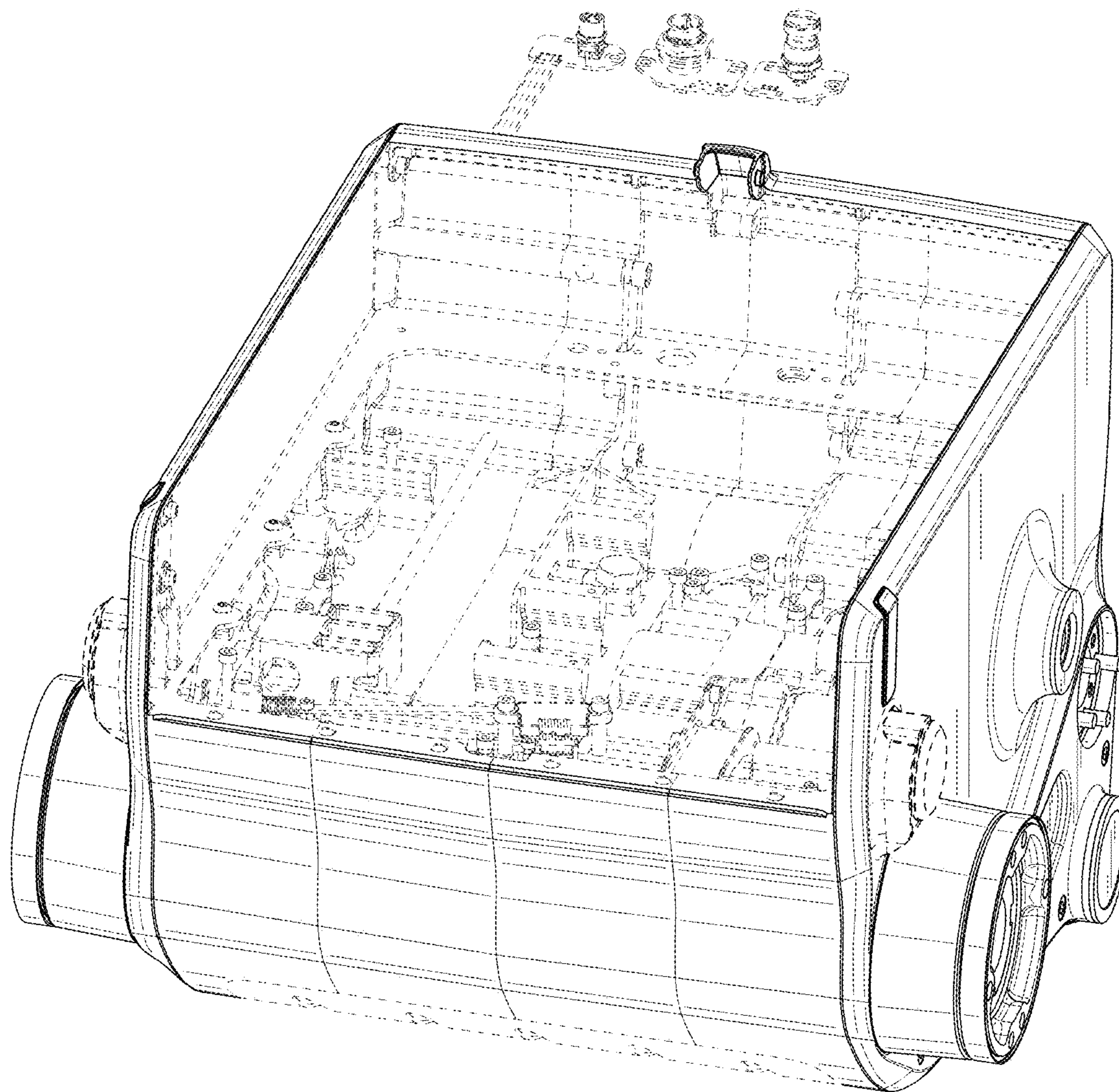


FIG. 5