



US00D946521S

(12) **United States Design Patent**
Miron

(10) **Patent No.:** **US D946,521 S**

(45) **Date of Patent:** **** Mar. 22, 2022**

(54) **CONTROLLER BOX**

(71) Applicant: **Electrical Grid Monitoring Ltd.**, Rosh Haayin (IL)

(72) Inventor: **Eyal Miron**, Hod-Hasharon (IL)

(73) Assignee: **Electrical Grid Monitoring Ltd.**, Rosh Haayin (IL)

(**) Term: **15 Years**

(21) Appl. No.: **29/760,246**

(22) Filed: **Nov. 30, 2020**

(51) **LOC (13) Cl.** **13-02**

(52) **U.S. Cl.**
USPC **D13/110; D13/162.1**

(58) **Field of Classification Search**
USPC D13/110, 108, 118, 122, 123, 146, 147,
D13/156, 162, 162.1, 164, 168, 169, 184,
D13/199; D14/432, 438
CPC H05K 5/00; H05K 5/02; H05K 5/0247;
H05K 7/00; H05K 7/20; H05K 7/20136;
H05K 7/20154; H05K 7/209; H02M 7/00;
H02M 7/003; H02J 7/0042
See application file for complete search history.

(56) **References Cited**

U.S. PATENT DOCUMENTS

D282,461 S * 2/1986 Shimizu D13/162.1
D399,190 S * 10/1998 Dale D13/184
D490,051 S * 5/2004 Kikumoto D13/102

D579,417 S * 10/2008 Stuckmann D13/152
D657,748 S * 4/2012 Hargreaves D13/156
D679,258 S * 4/2013 Moore D13/162.1
D687,766 S * 8/2013 Hsu D13/102
D826,855 S * 8/2018 Xu D13/110
D828,293 S * 9/2018 Li D13/102
D840,949 S * 2/2019 Lorentz D13/158
D858,441 S * 9/2019 Chen D13/110
D883,208 S * 5/2020 Dong D13/110
D884,629 S * 5/2020 Zhong D13/110

* cited by examiner

Primary Examiner — Derrick E Holland

(74) *Attorney, Agent, or Firm* — Pearl Cohen Zedek
Latzter Baratz LLP

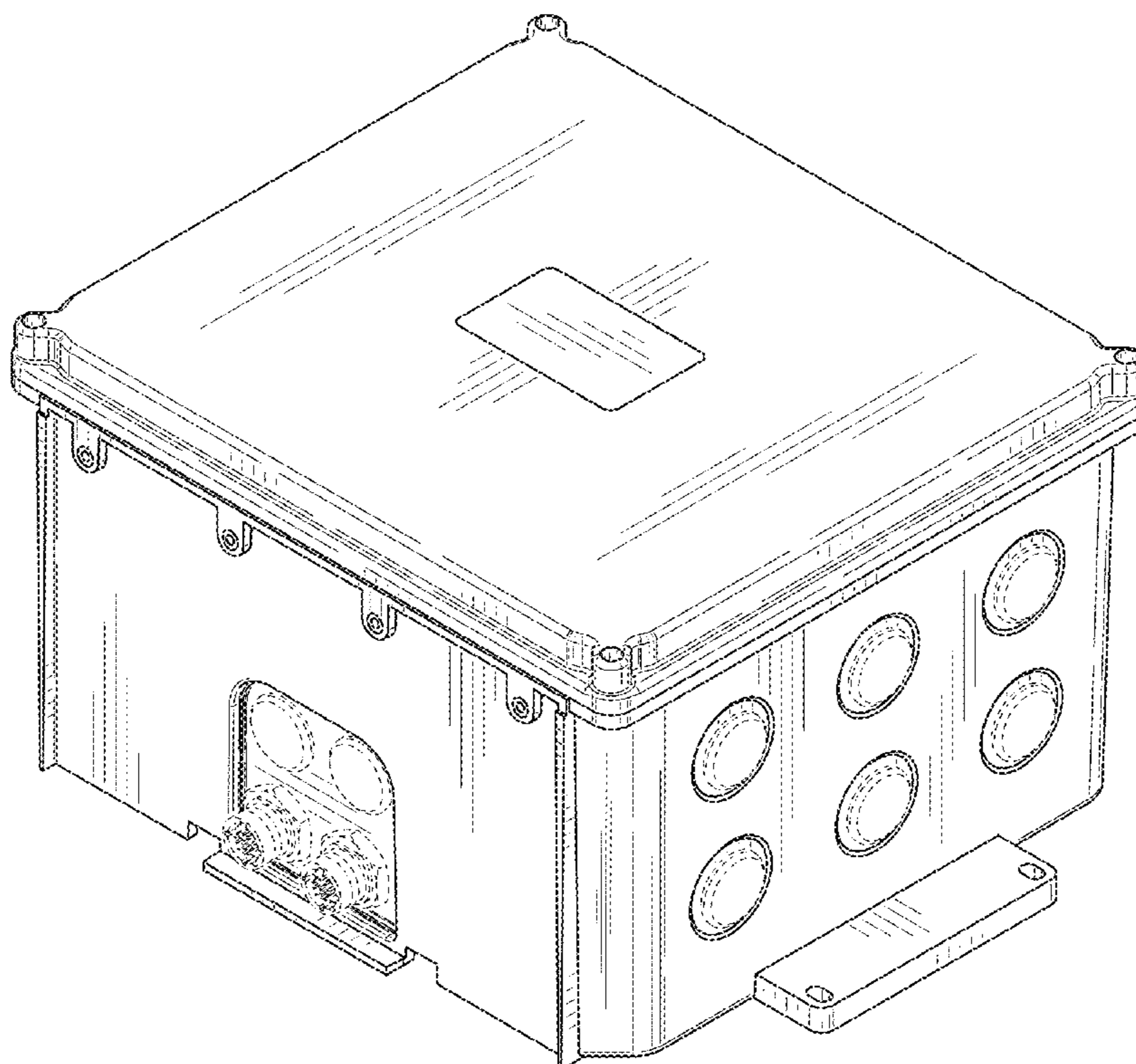
(57) **CLAIM**

The ornamental design for a controller box, as shown and described.

DESCRIPTION

FIG. 1 is a front, bottom, right side perspective view of a controller box according to a first embodiment;
FIG. 2 is a bottom plan view thereof;
FIG. 3 is a top plan view thereof;
FIG. 4 is a right side elevational view thereof;
FIG. 5 is a left side elevational view thereof;
FIG. 6 is a front elevational view thereof;
FIG. 7 is a back elevational view thereof; and,
FIG. 8 is a front, bottom, right side perspective view thereof, shown in environmental use.
The broken lines shown represent environmental structure and form no part of the claimed design.

1 Claim, 8 Drawing Sheets



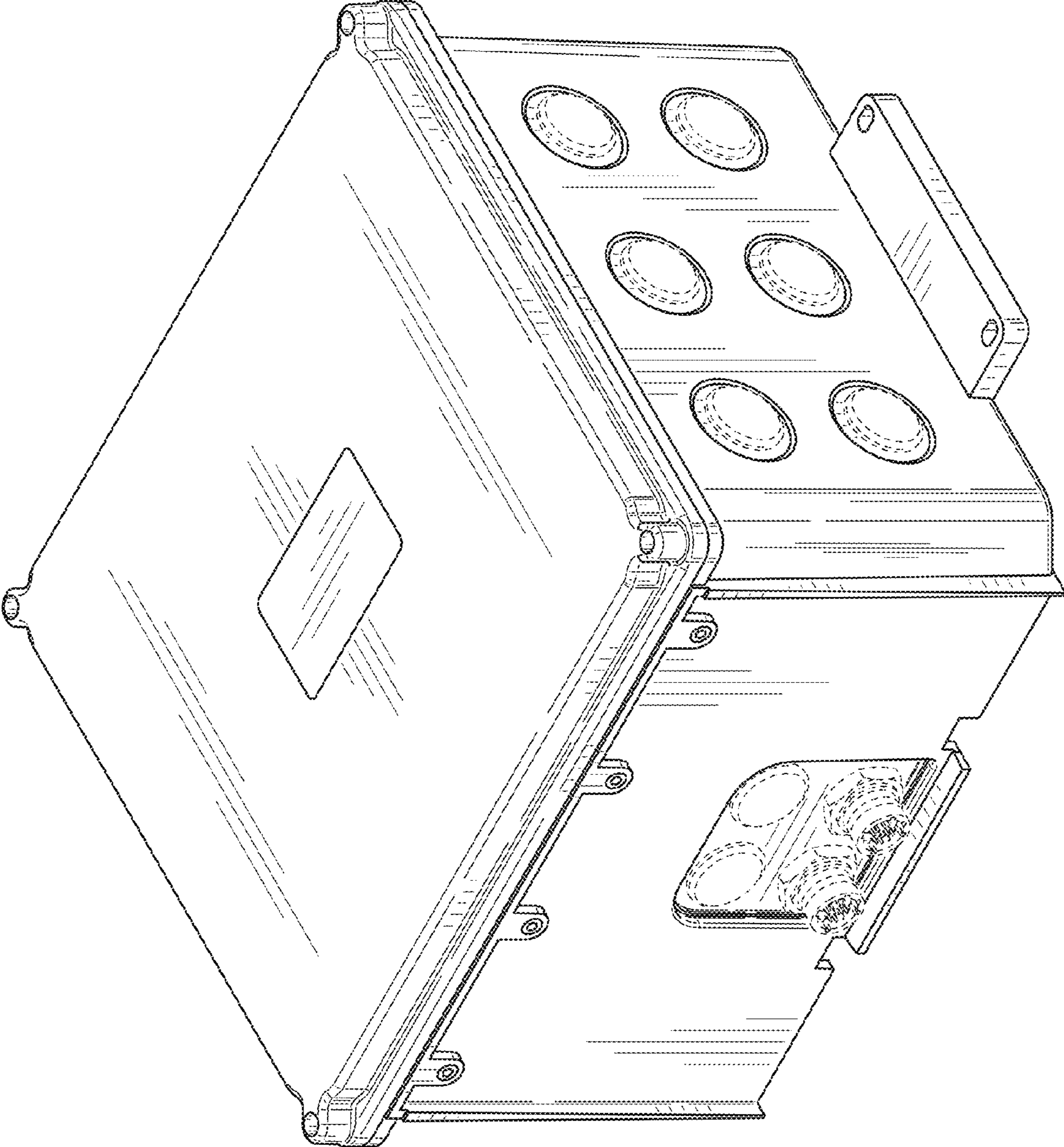


FIG. 1

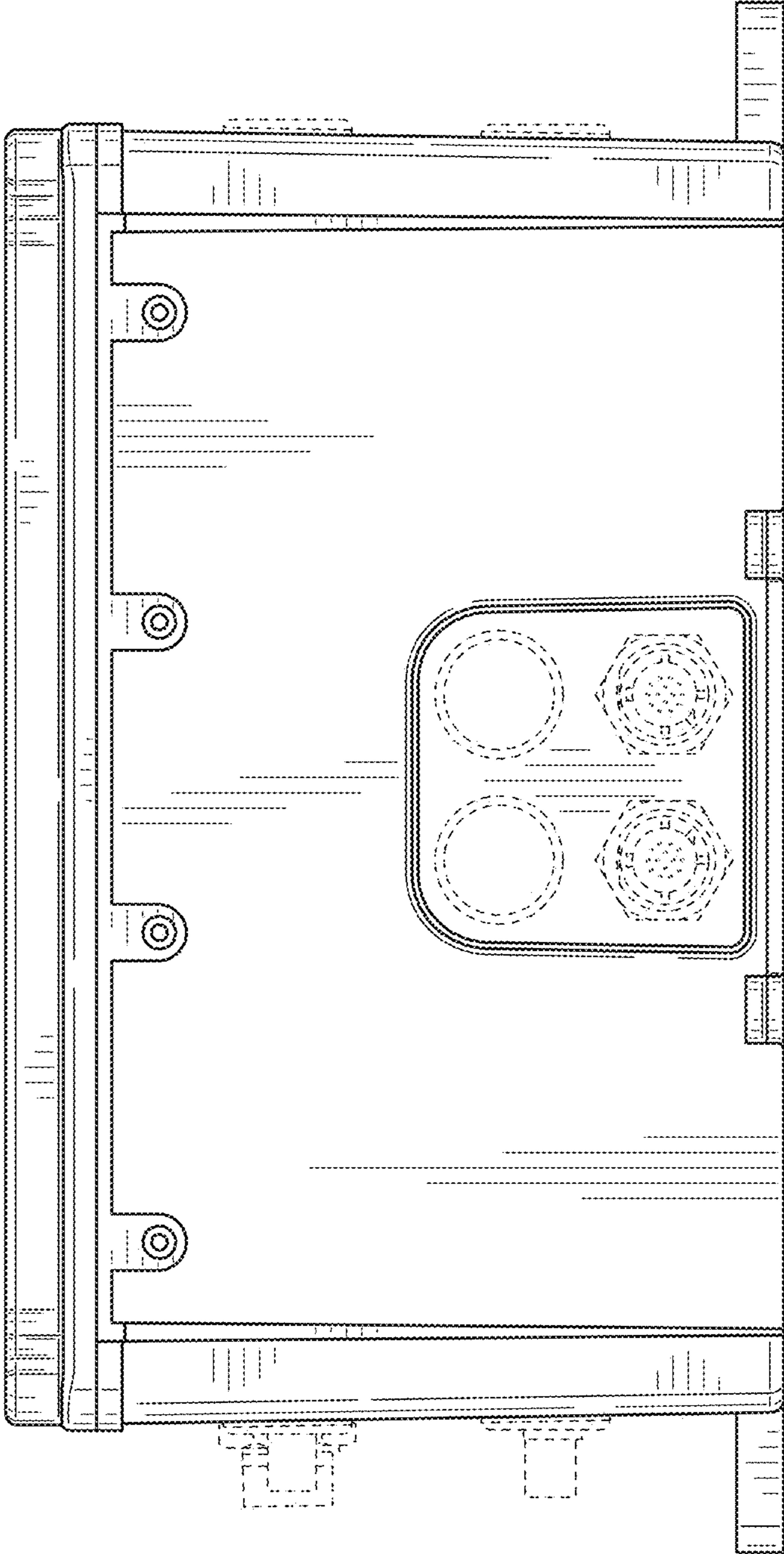


FIG. 2

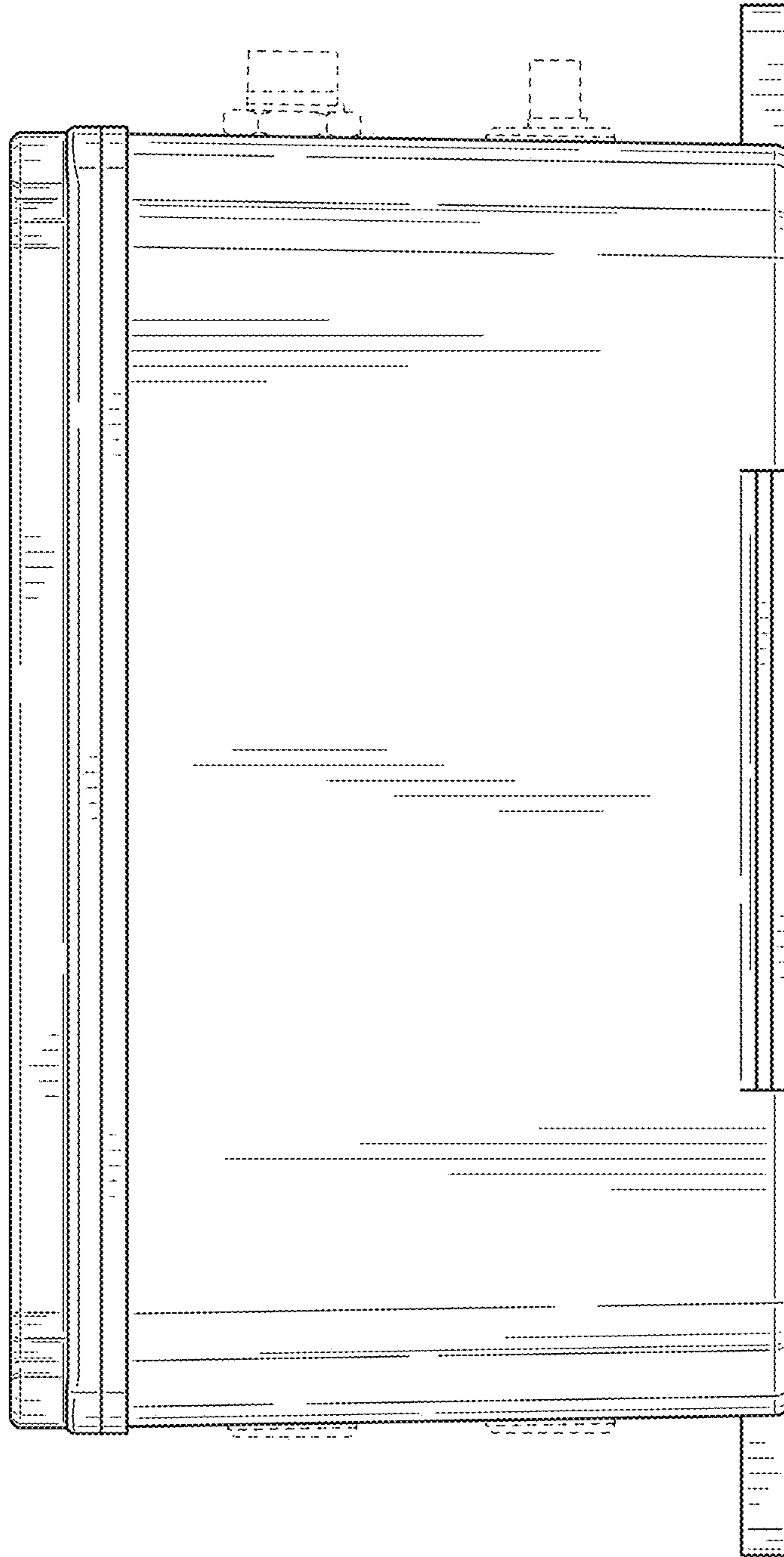


FIG. 3

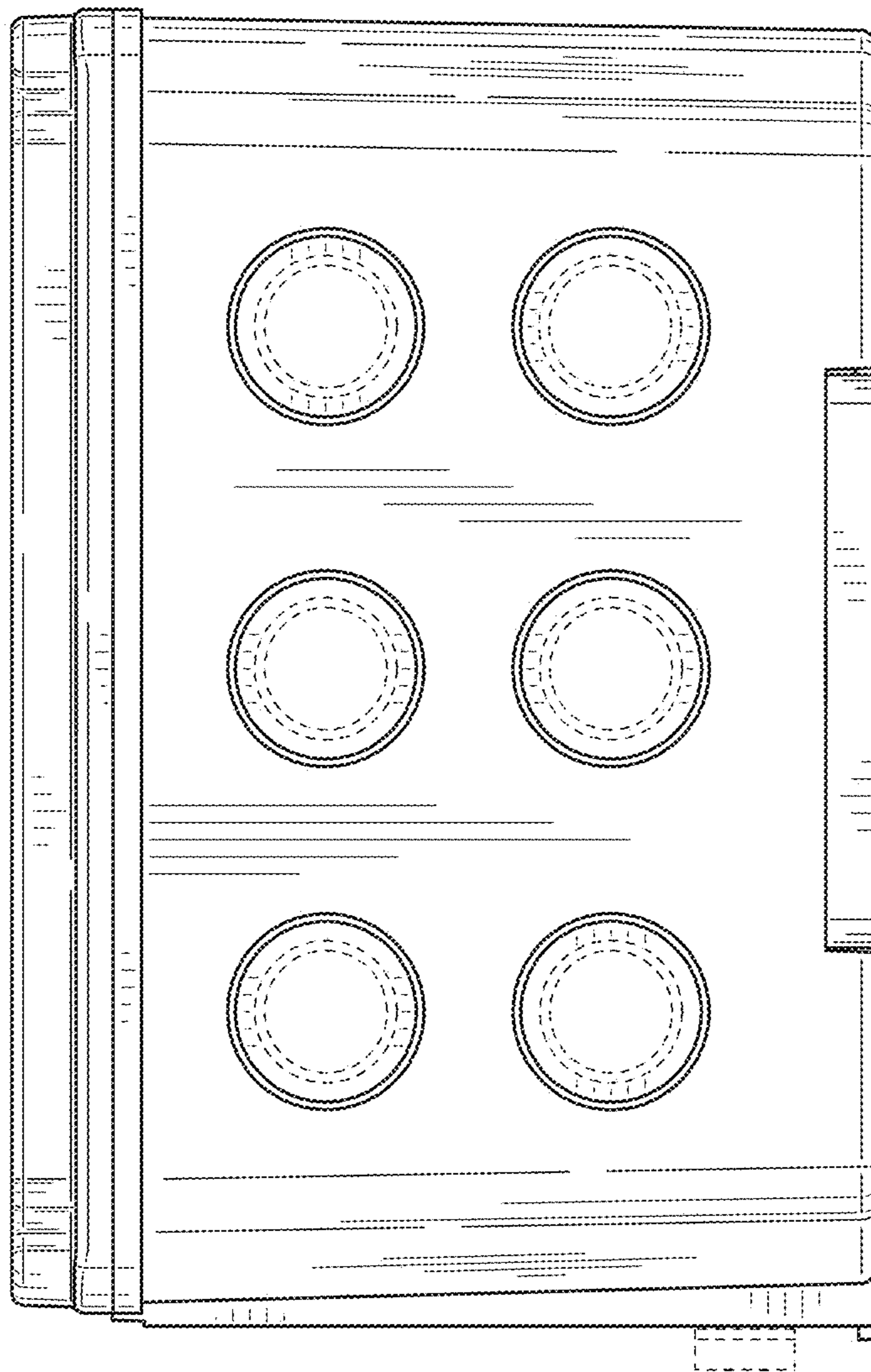


FIG. 4

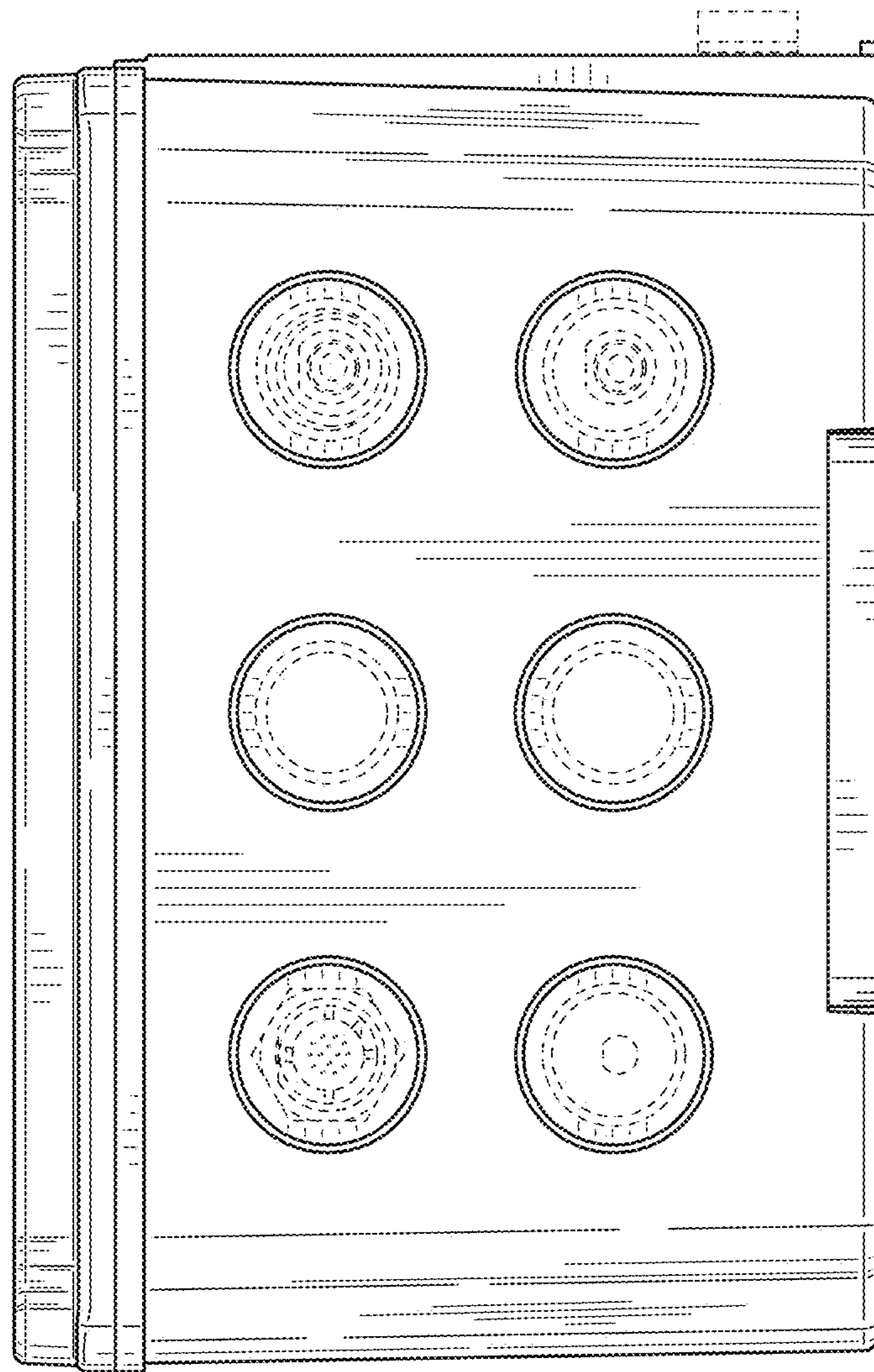


FIG. 5

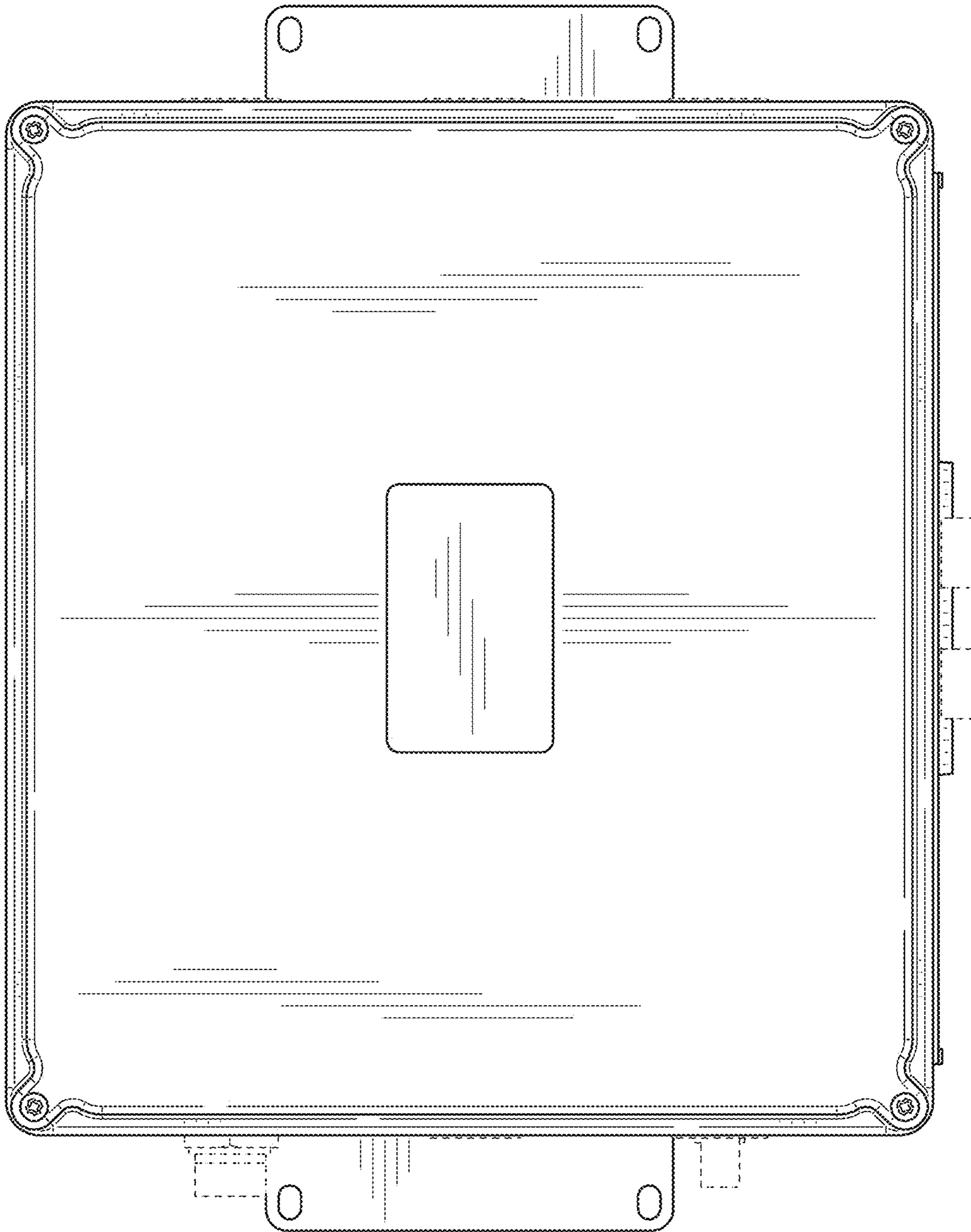


FIG. 6

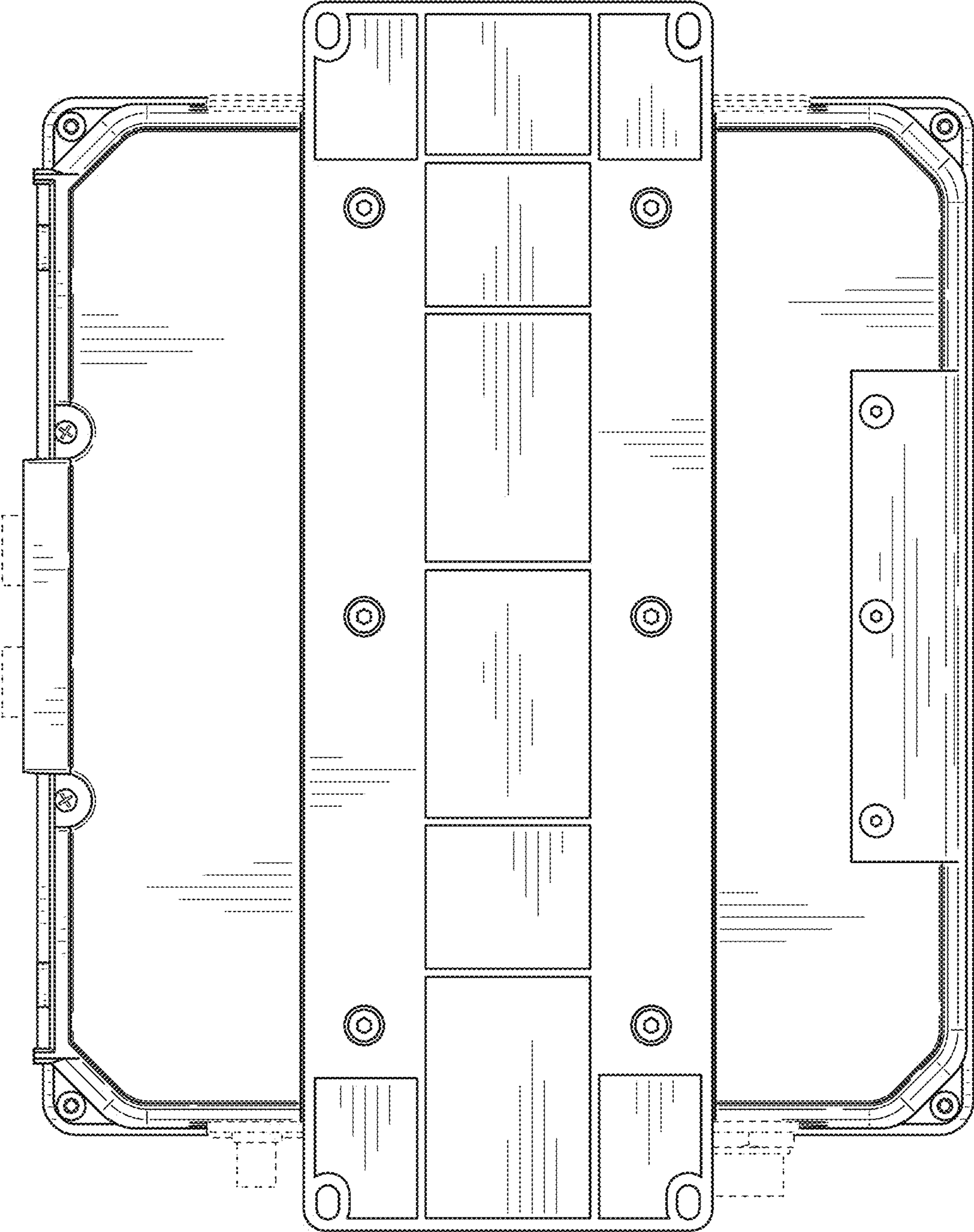


FIG. 7

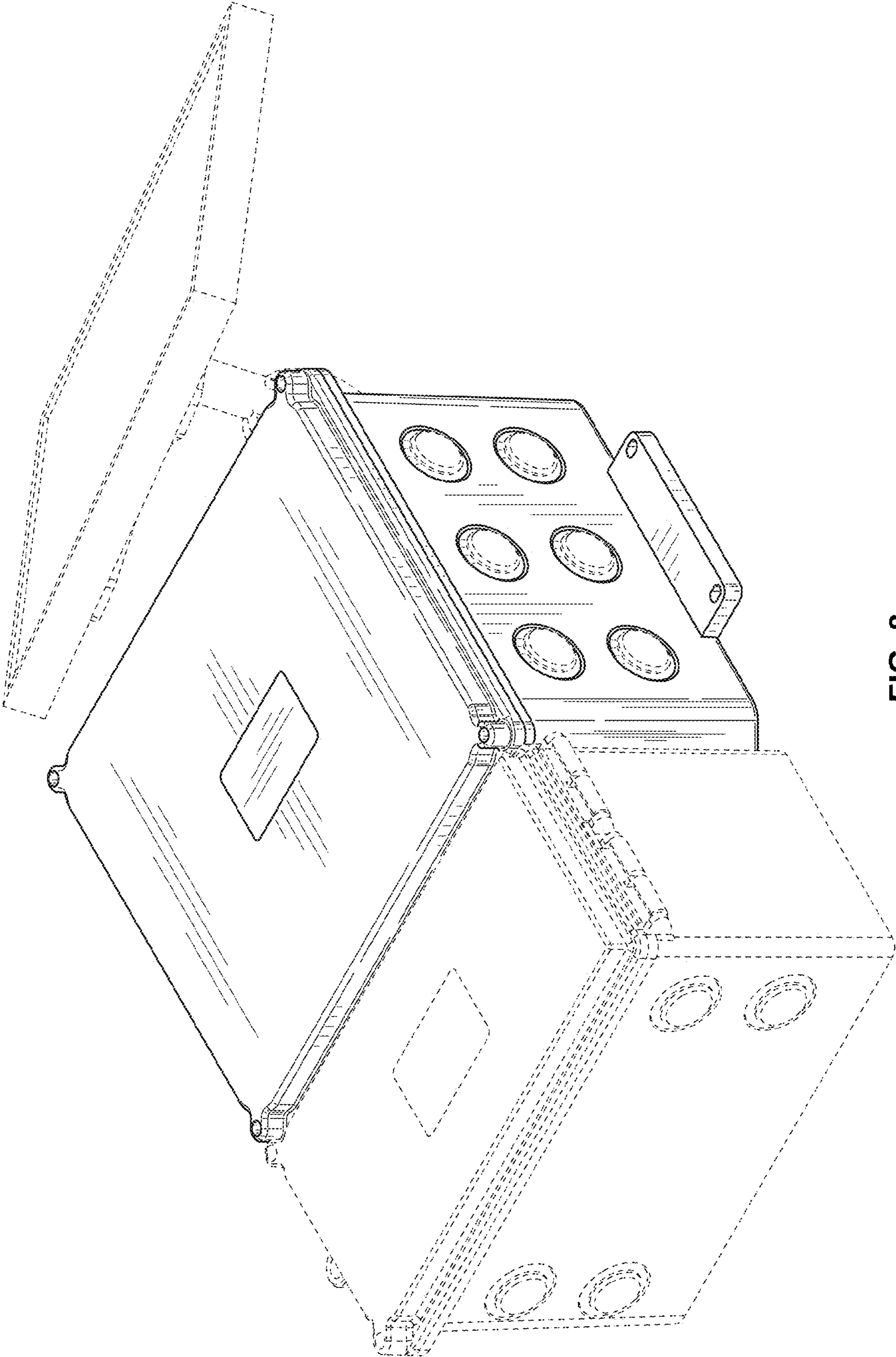


FIG. 8