



US00D946520S

(12) **United States Design Patent**
Spinella et al.

(10) **Patent No.:** **US D946,520 S**
(45) **Date of Patent:** **** Mar. 22, 2022**

(54) **POWER ADAPTER**
(71) Applicant: **EGGTRONIC ENGINEERING S.R.L.**, Modena (IT)
(72) Inventors: **Igor Spinella**, Modena (IT); **Camilla Bettinelli**, Modena (IT); **Silvia Cappellini**, Quarrata (IT); **Fabrizio Caramaschi**, Carpi (IT)

D367,257 S * 2/1996 Buelow D13/110
5,613,863 A * 3/1997 Klaus H01R 27/00
439/131
6,086,395 A * 7/2000 Lloyd H01R 27/00
363/146
D593,031 S * 5/2009 Miyatake D13/110
D621,782 S * 8/2010 Chang D13/138.1
D650,330 S * 12/2011 Dong D13/108

(Continued)

(73) Assignee: **EGGTRONIC ENGINEERING S.R.L.**, Modena (IT)

Primary Examiner — Derrick E Holland
(74) *Attorney, Agent, or Firm* — Volpe Koenig

(**) Term: **15 Years**

(21) Appl. No.: **29/739,427**

(57) **CLAIM**

(22) Filed: **Jun. 25, 2020**

The ornamental design for a power adapter, as shown and described.

(51) **LOC (13) Cl.** **13-02**

(52) **U.S. Cl.**
USPC **D13/110**

(58) **Field of Classification Search**
USPC D13/110, 101, 103, 107, 108, 118, 123,
D13/133, 162, 168, 169, 184, 199;
D14/242, 257, 432, 433, 438
CPC H05K 5/00; H05K 5/02; H05K 5/0247;
H05K 7/00; H05K 7/20; H05K 7/20136;
H05K 7/20154; H05K 7/209; H02M 7/00;
H02M 7/003; H02M 2001/009; H02J
7/0042; H02J 7/0003; H02J 7/0045; H02J
7/1423; H02J 7/0054; Y10T 307/367;
Y02E 60/12; Y02E 60/50; H01M 2/02;
H01M 2/025; H01M 2/0207; H01M
2/0212; H01M 10/44; H01M 10/46;
H01R 13/60; H01R 13/72; H01R
13/6658; H01R 25/003; H01R 25/006;
G06F 3/023; G06F 3/038; G06F 3/0626;
G06F 3/0658; G06F 9/4413
See application file for complete search history.

DESCRIPTION

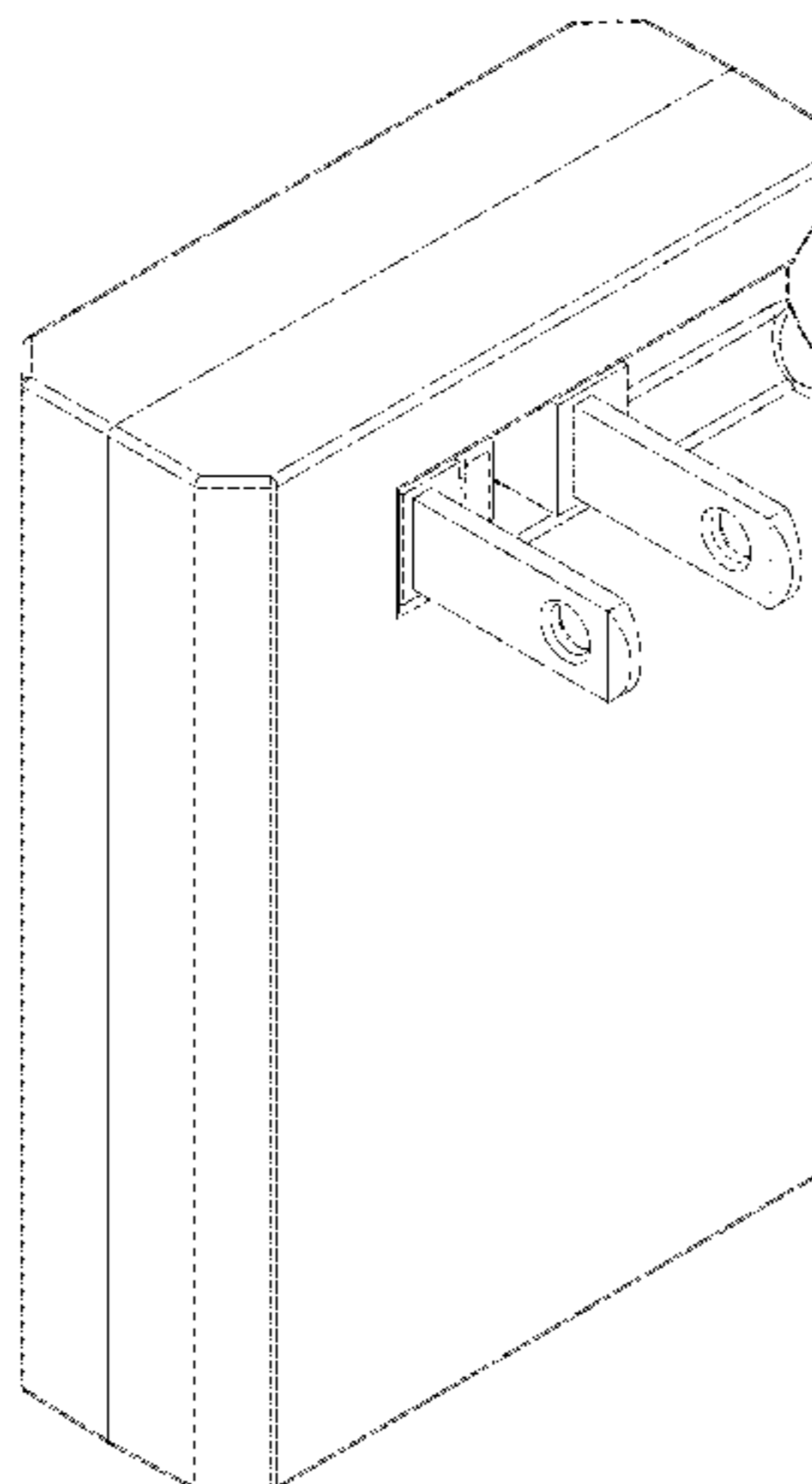
FIG. 1 is a top front left perspective view of a power adapter showing our new design;
FIG. 2 is a top view thereof;
FIG. 3 is a top front right perspective view thereof;
FIG. 4 is a rear view thereof;
FIG. 5 is a left side view thereof;
FIG. 6 is a front view thereof;
FIG. 7 is a right side view thereof;
FIG. 8 is a bottom left perspective view thereof; and
FIG. 9 is a bottom view thereof;
FIG. 10 is a top front left perspective view of the power adapter shown in a second configuration;
FIG. 11 is a top view thereof;
FIG. 12 is a top front right perspective view thereof;
FIG. 13 is a rear view thereof;
FIG. 14 is a left side view thereof;
FIG. 15 is a front view thereof;
FIG. 16 is a right side view thereof;
FIG. 17 is a bottom view thereof; and,
FIG. 18 is a bottom left perspective view thereof.

(56) **References Cited**

U.S. PATENT DOCUMENTS

4,451,693 A * 5/1984 Vest H01F 27/02
174/53
D350,113 S * 8/1994 Nagele D13/110

1 Claim, 18 Drawing Sheets



(56)

References Cited

U.S. PATENT DOCUMENTS

D652,380	S	*	1/2012	Chen	D13/110
D687,375	S	*	8/2013	Franco	D13/108
9,543,704	B1	*	1/2017	Hsu	H01R 13/645
D790,463	S	*	6/2017	Lai	D13/110
D790,464	S	*	6/2017	He	D13/110
D866,471	S	*	11/2019	Xu	D13/137.2
2010/0117597	A1	*	5/2010	Wang	H02J 7/0042 320/111

* cited by examiner

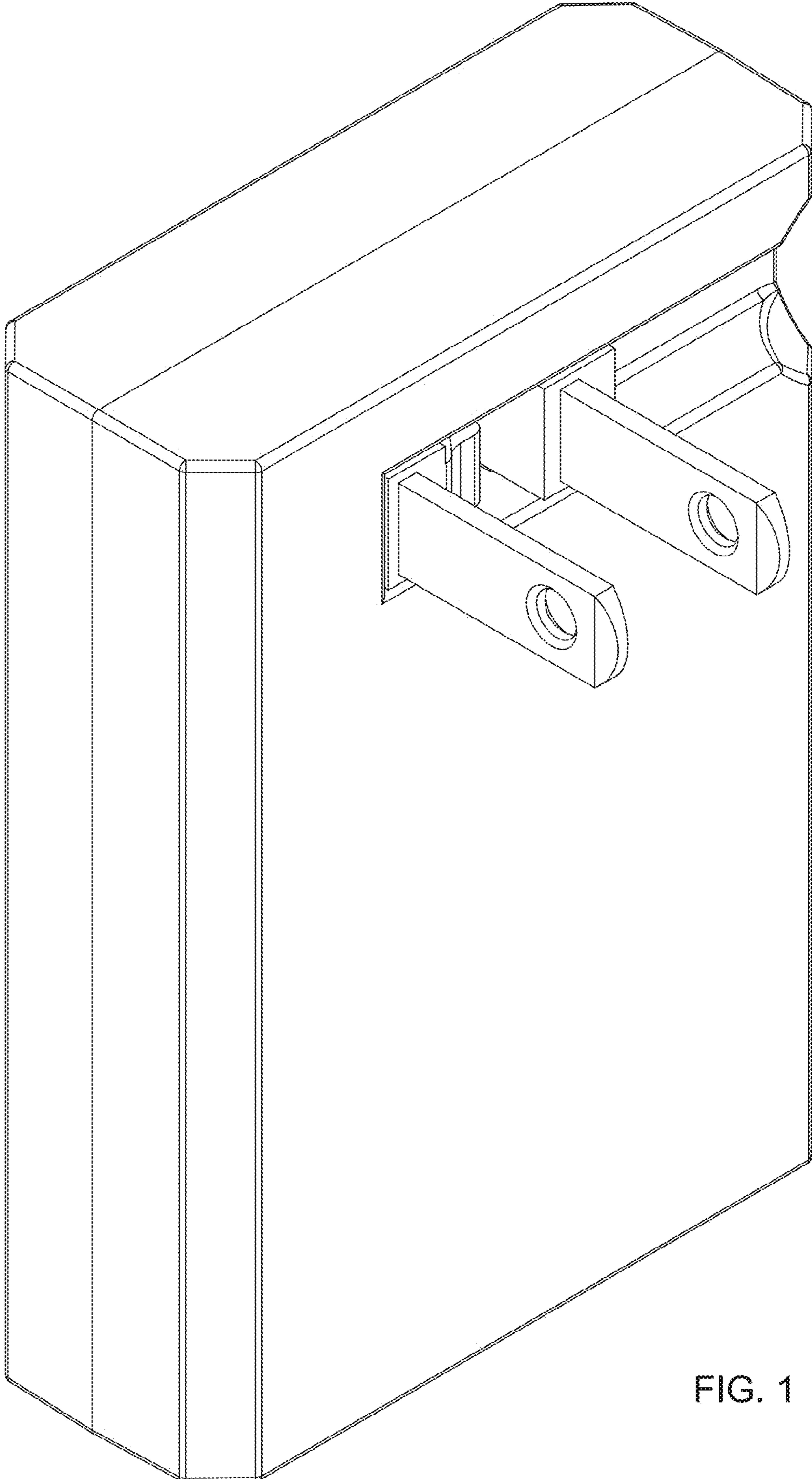


FIG. 1

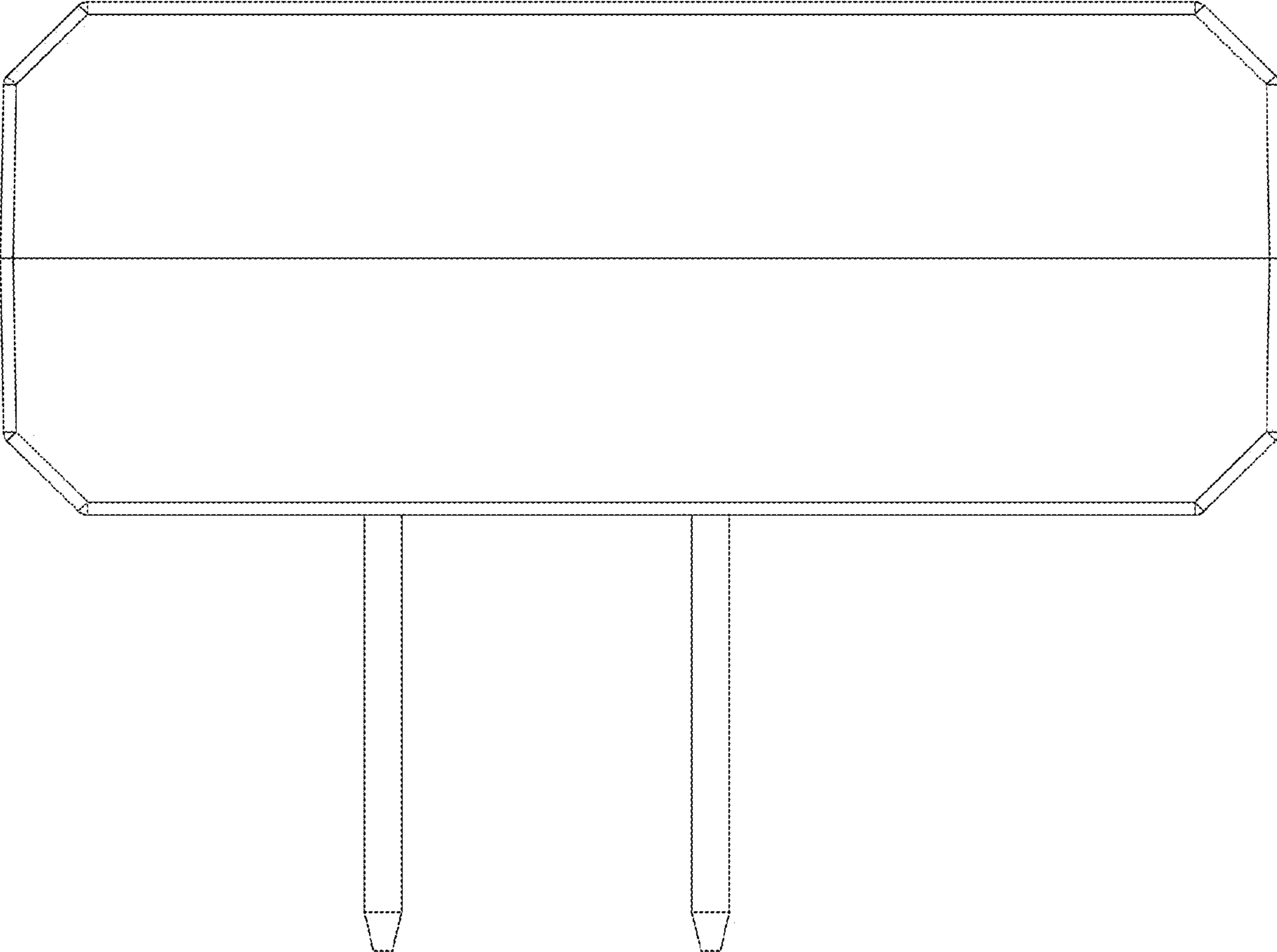


FIG. 2

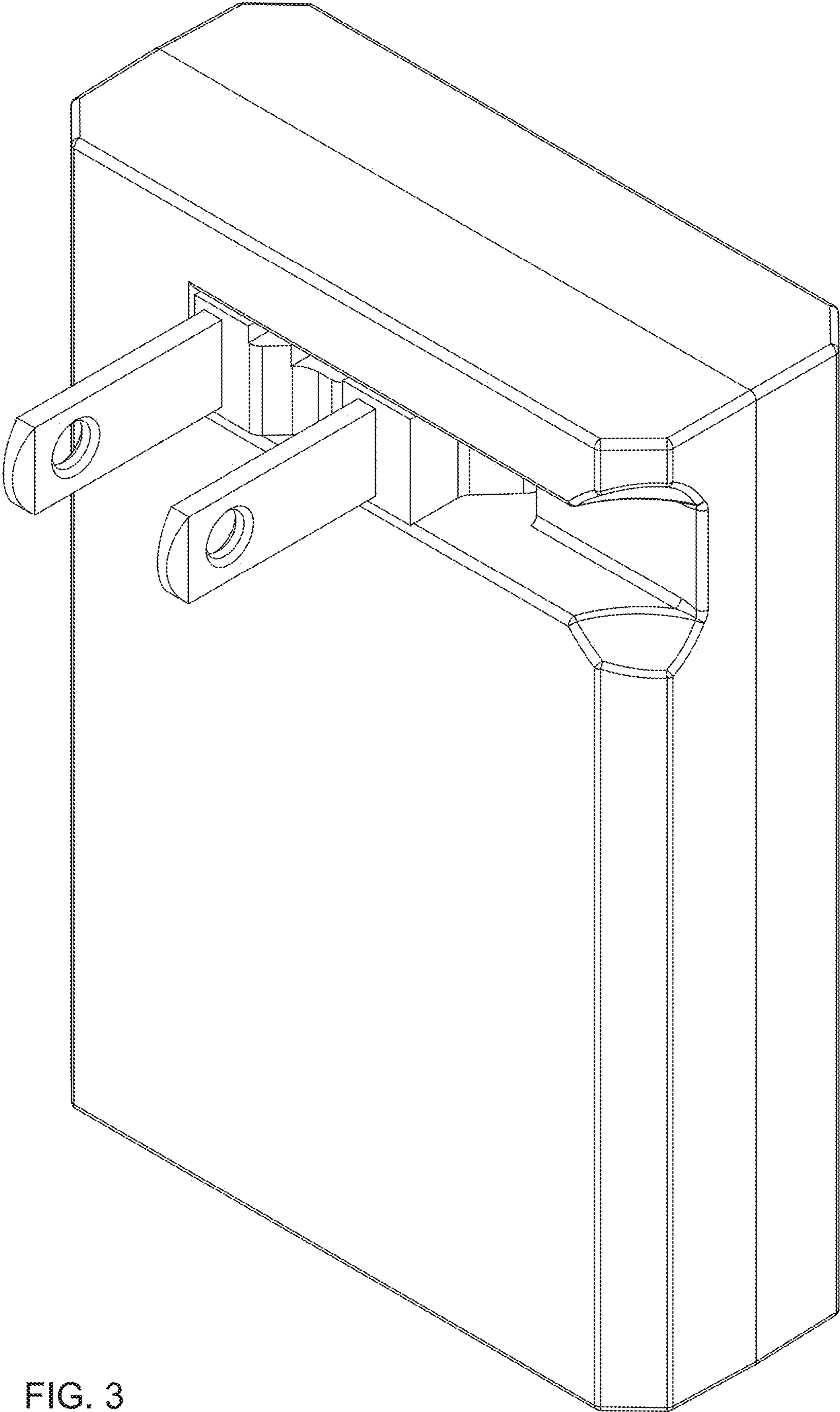


FIG. 3

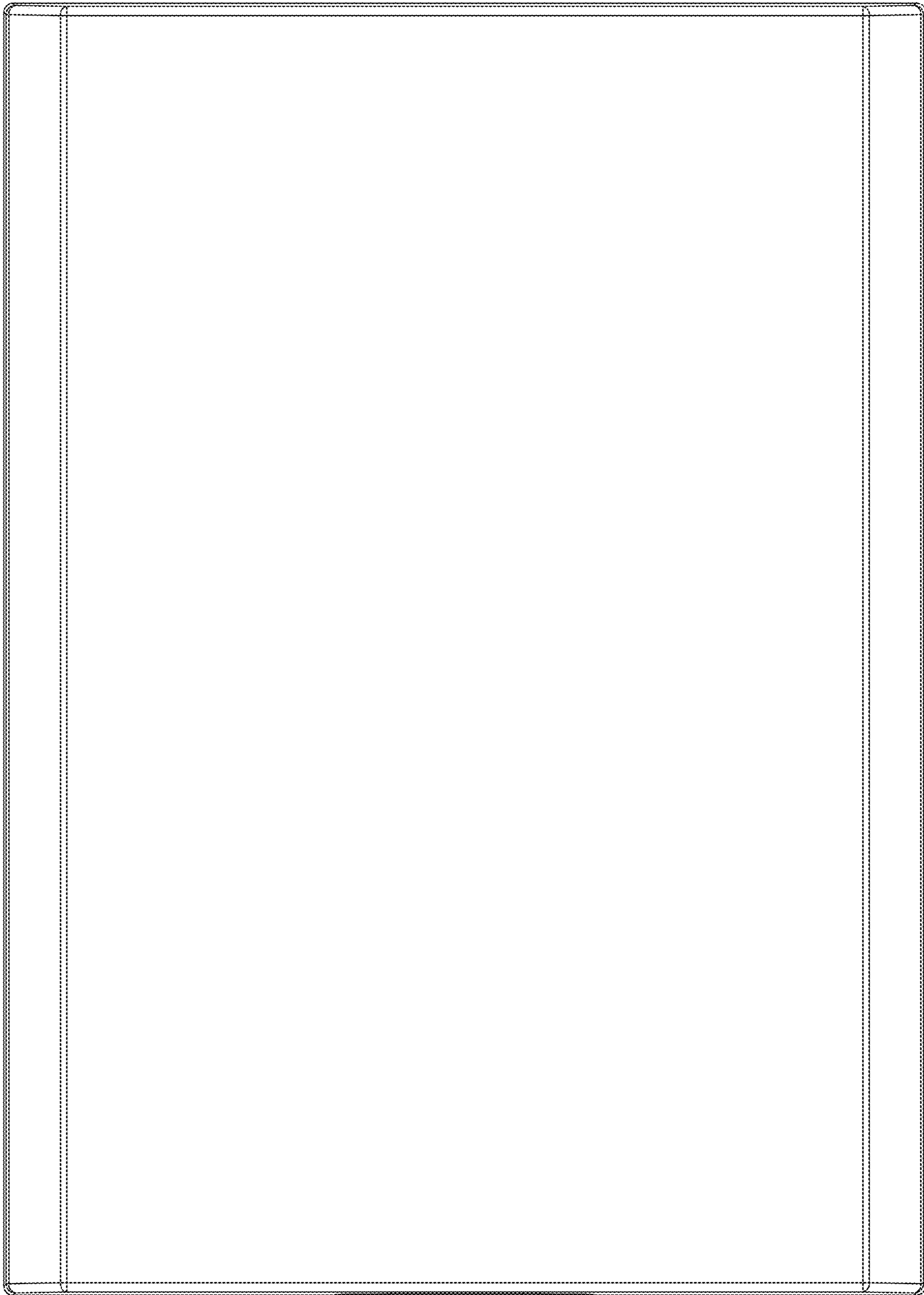


FIG. 4

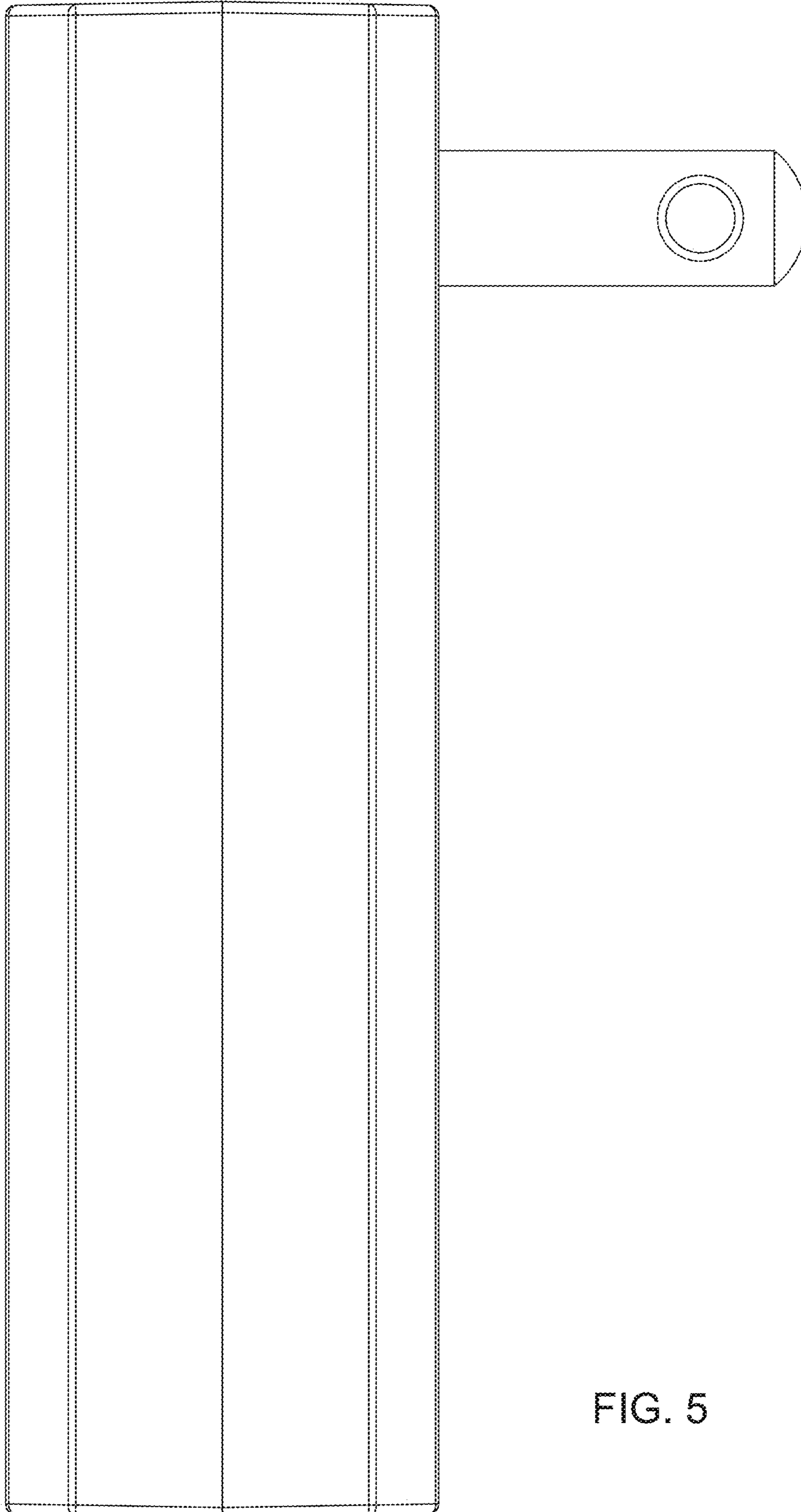


FIG. 5

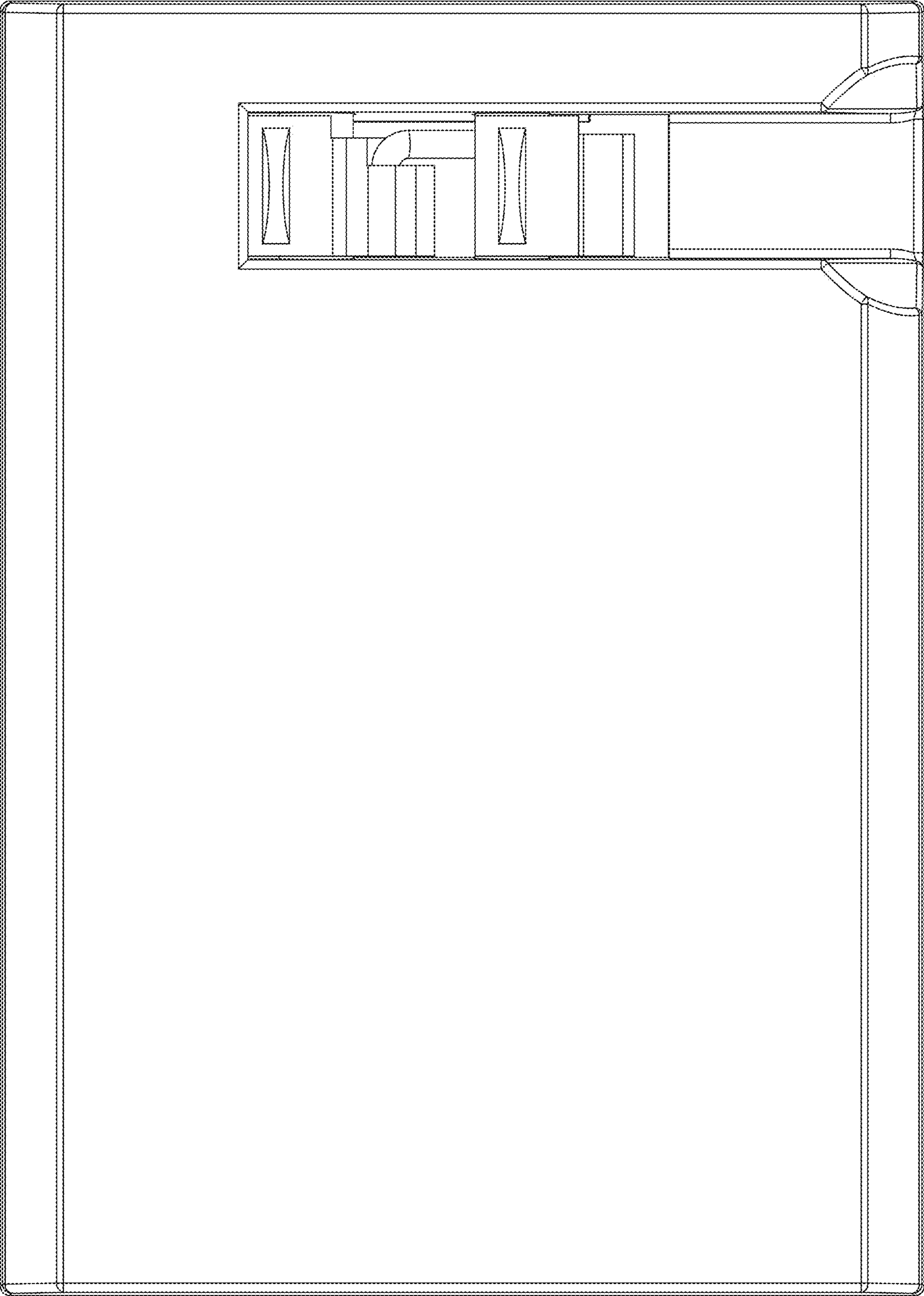


FIG. 6

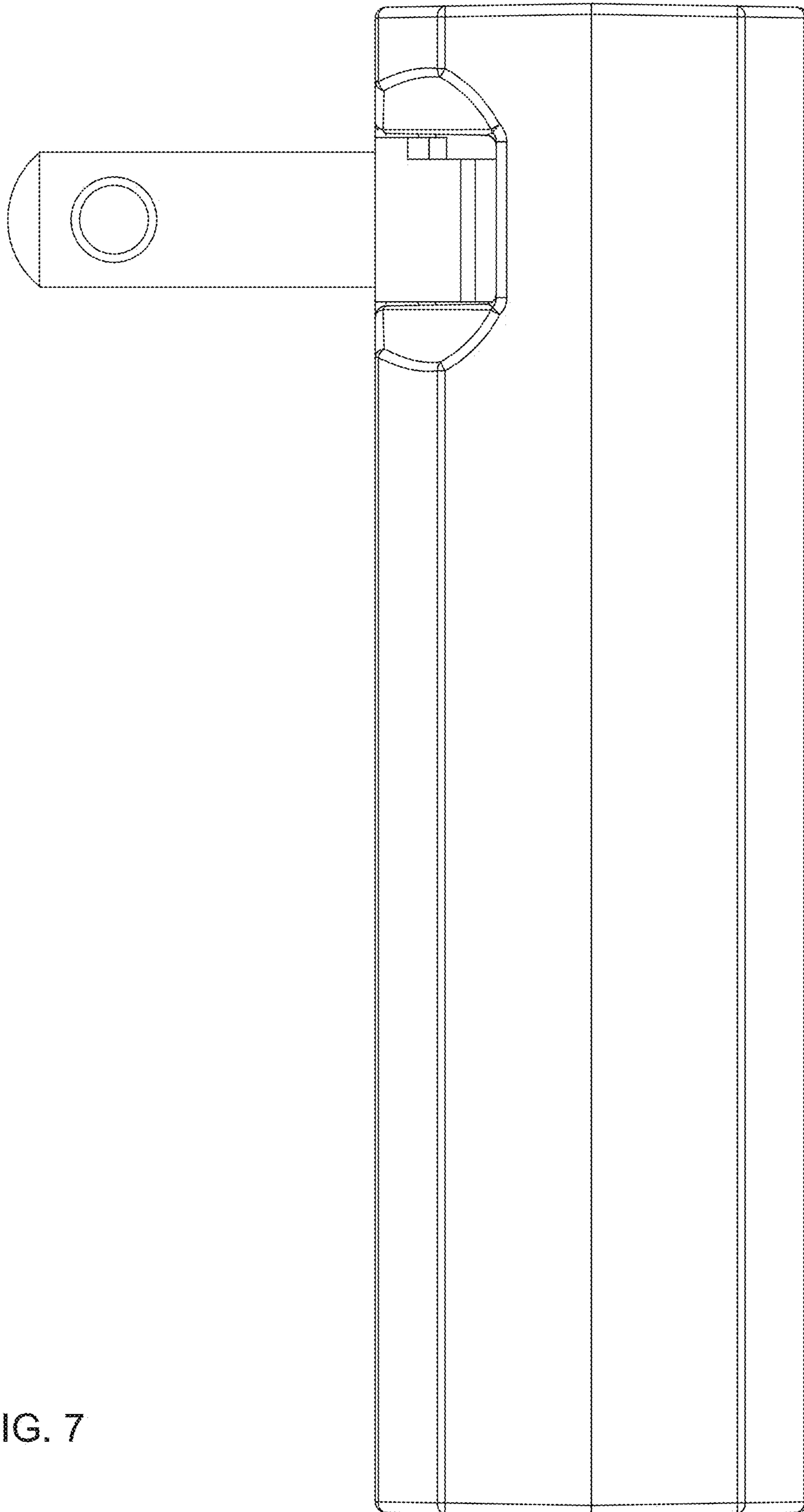


FIG. 7

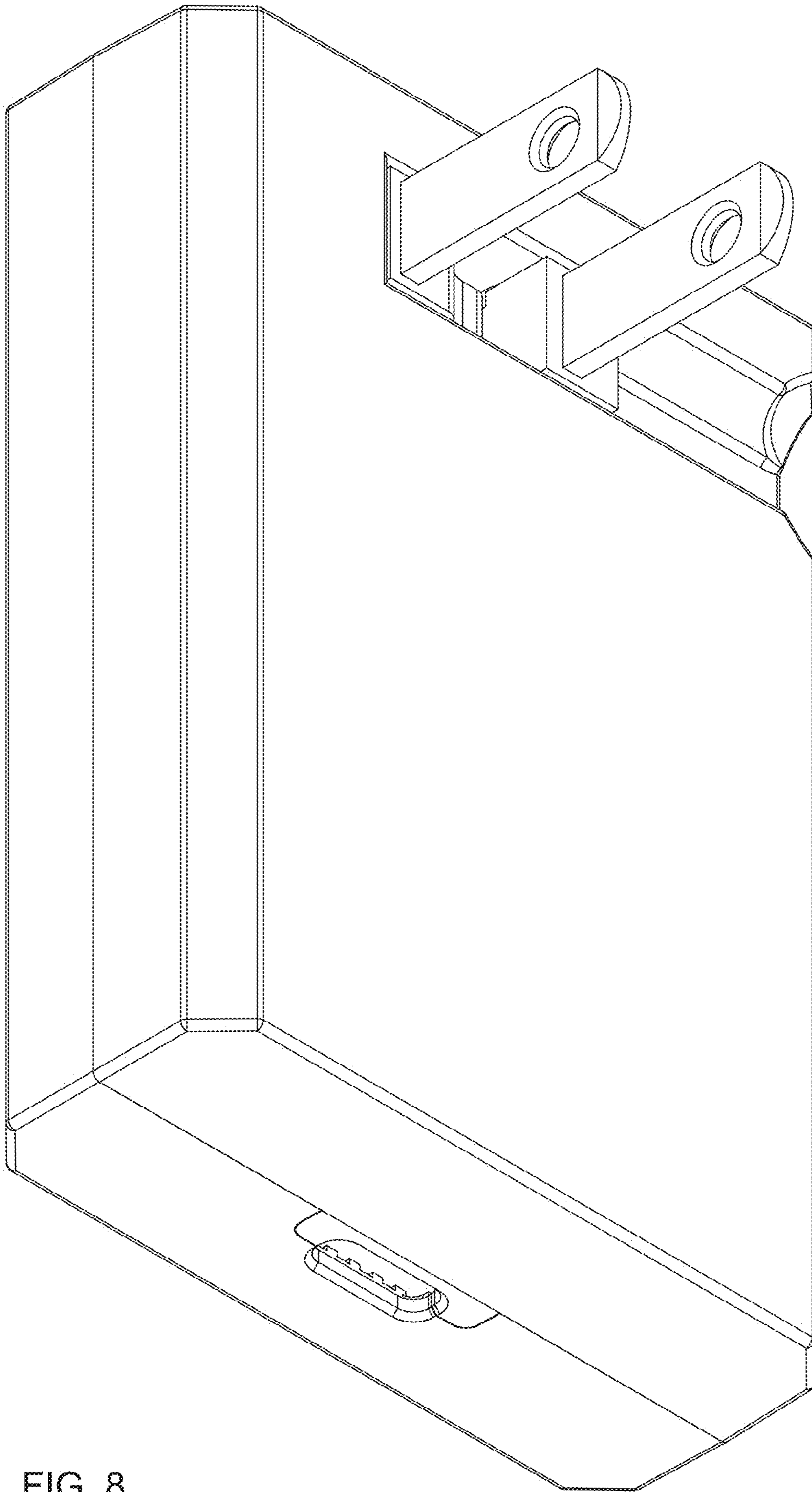


FIG. 8

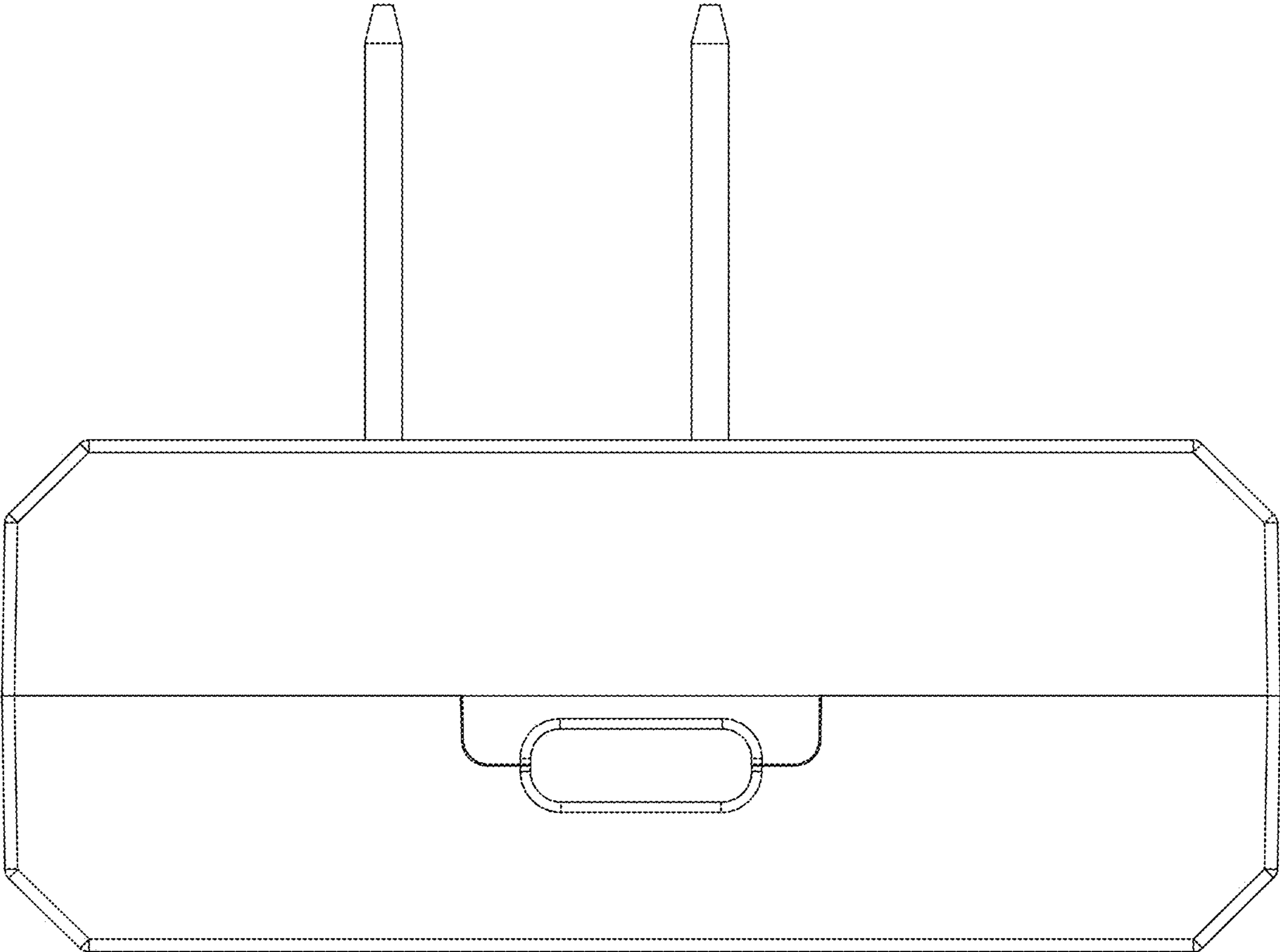


FIG. 9

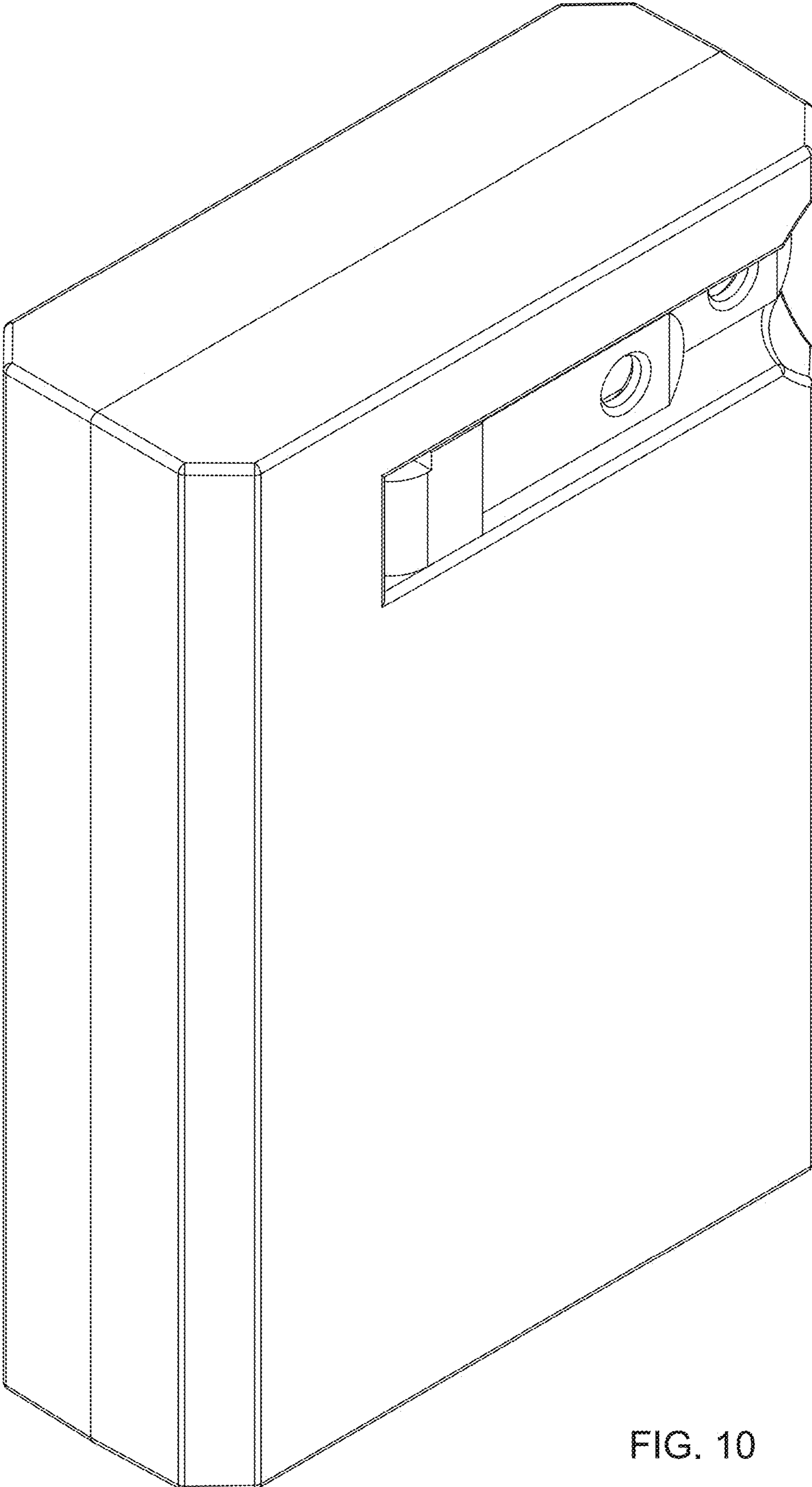


FIG. 10

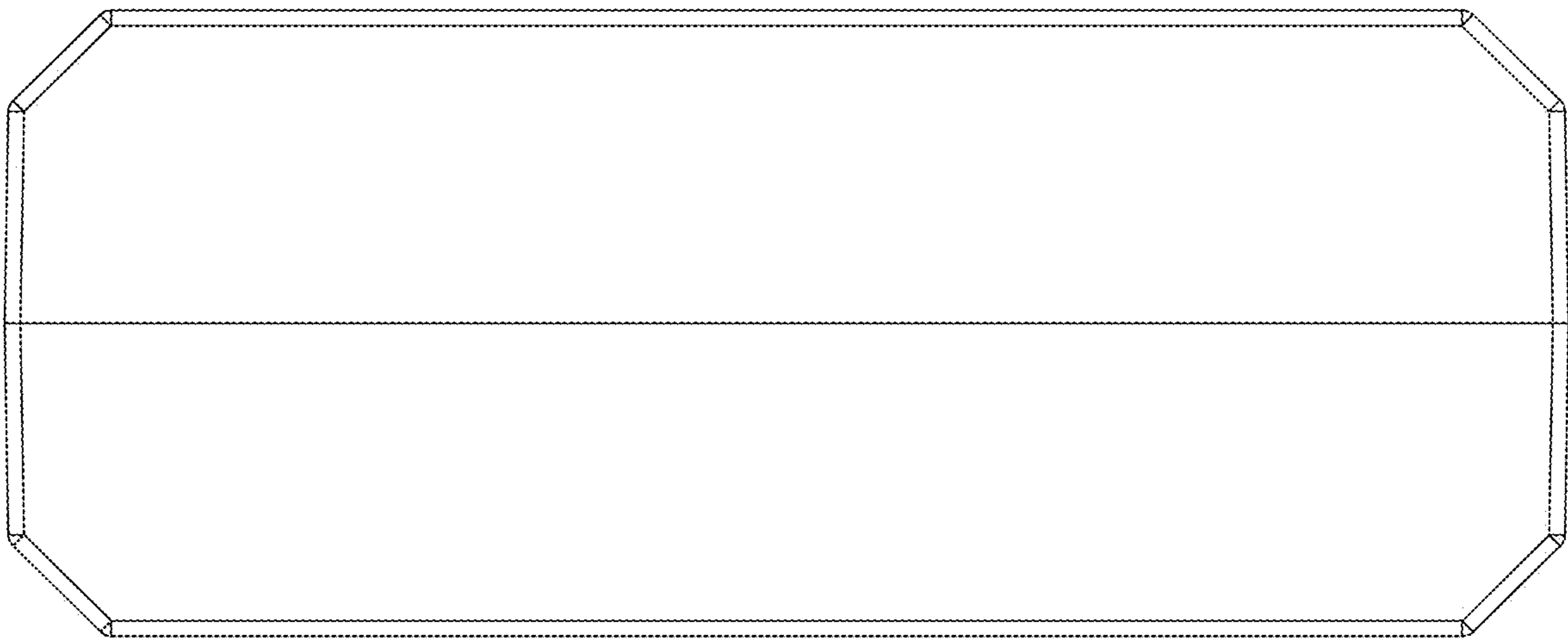


FIG. 11

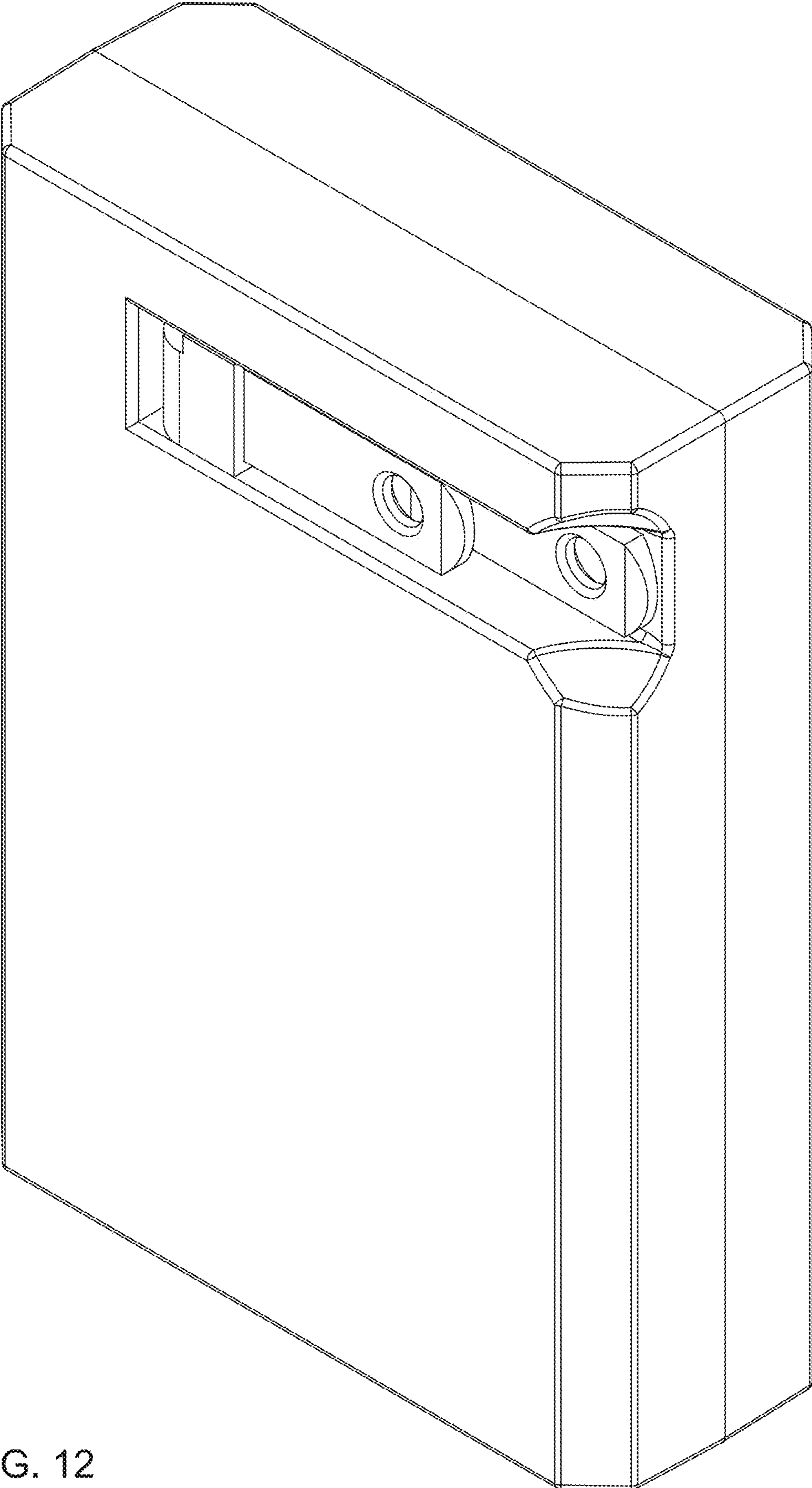


FIG. 12

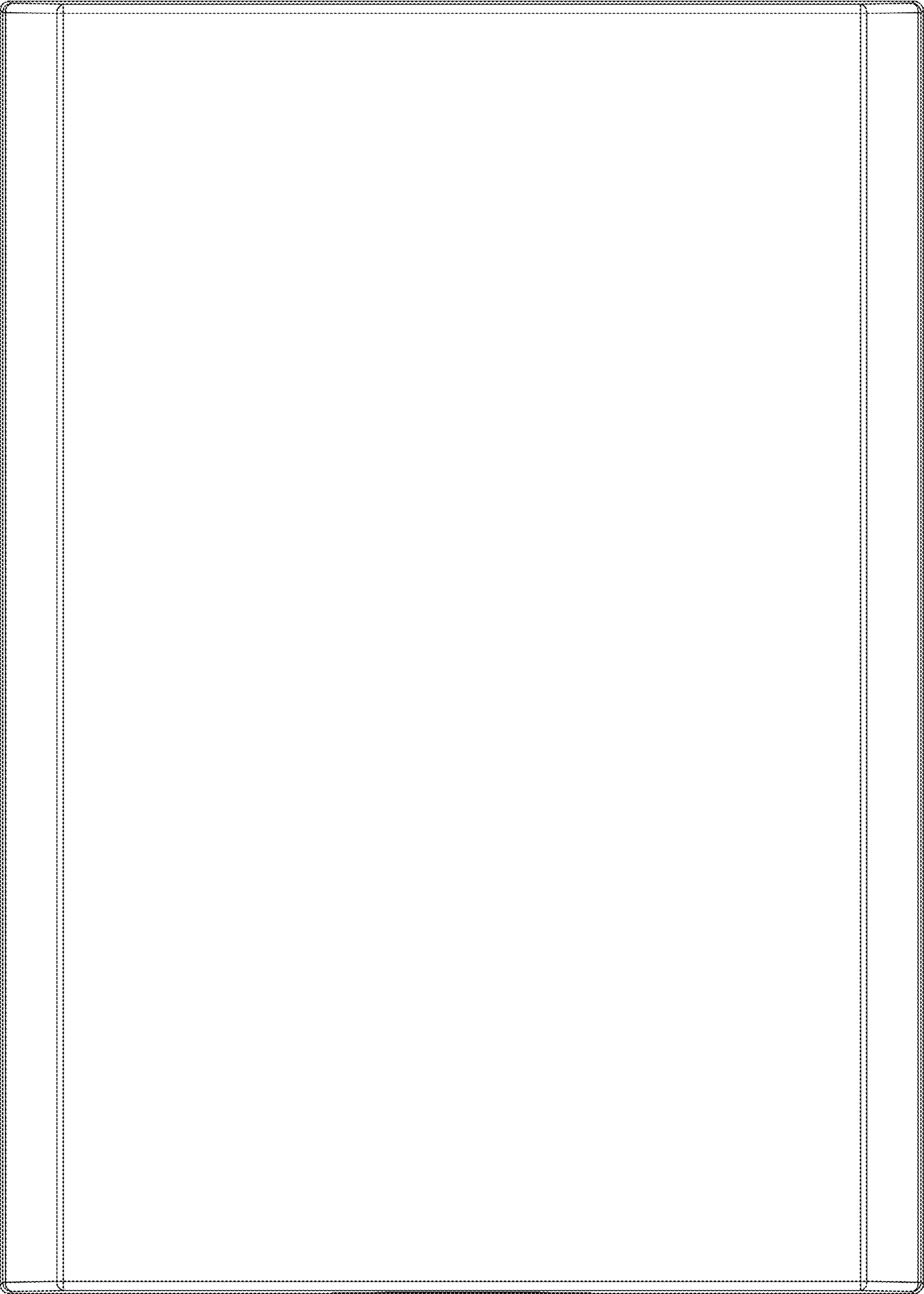


FIG. 13

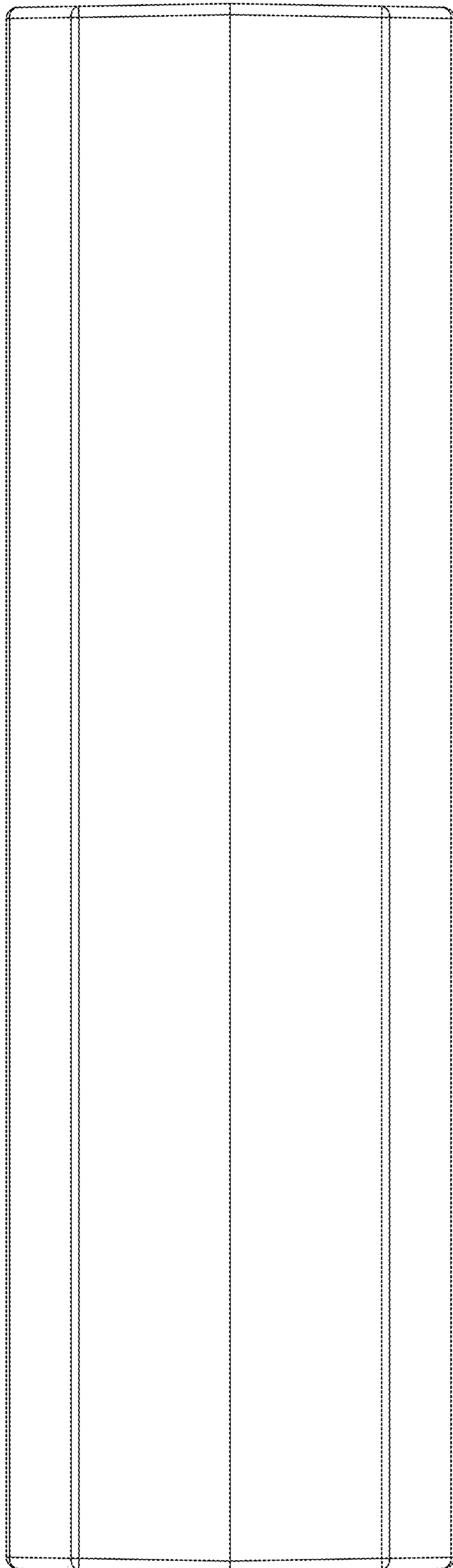


FIG. 14

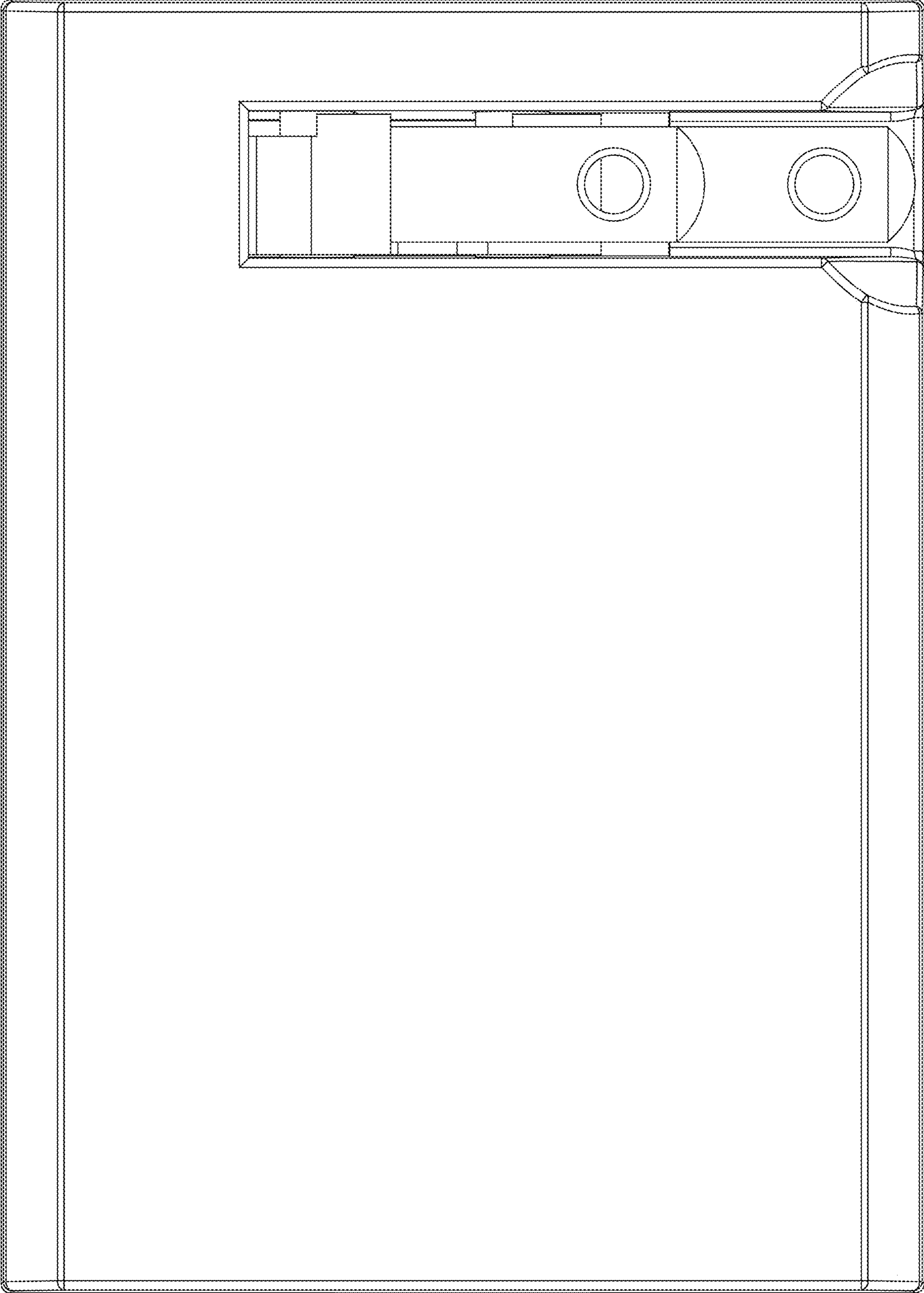


FIG. 15

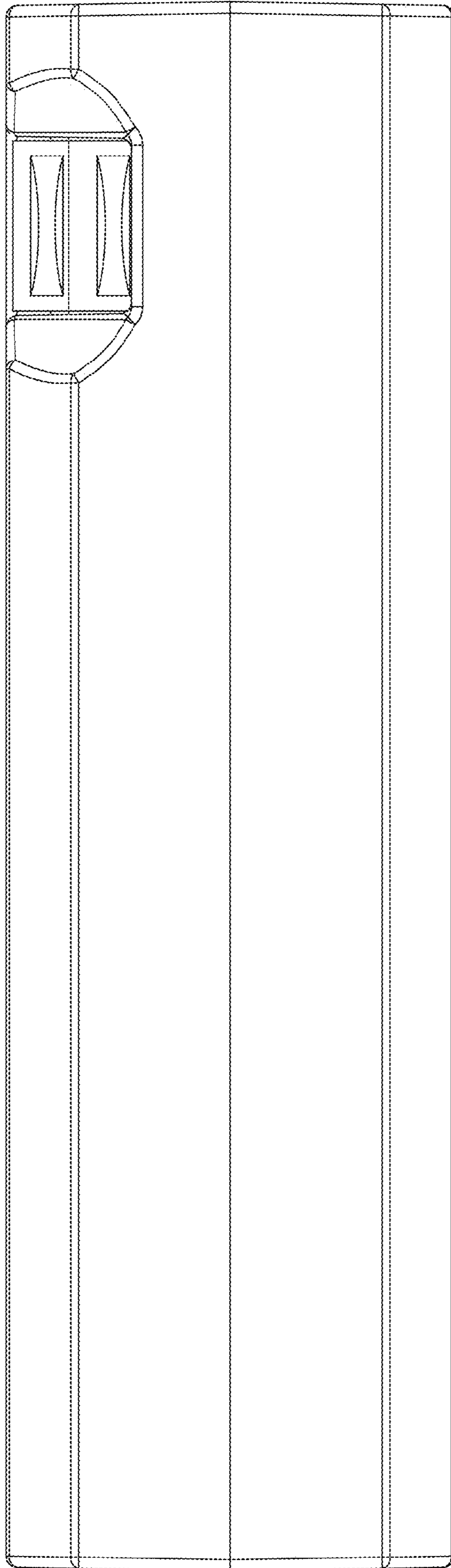


FIG. 16

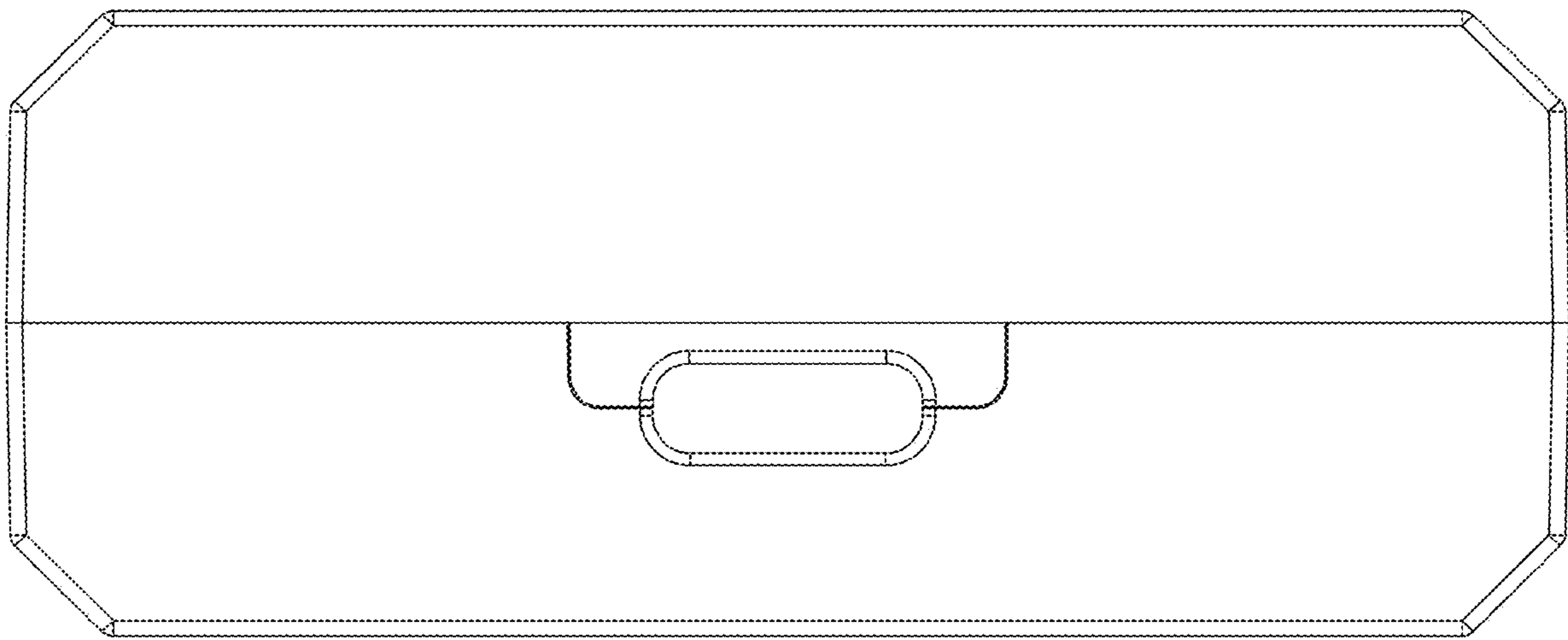


FIG. 17

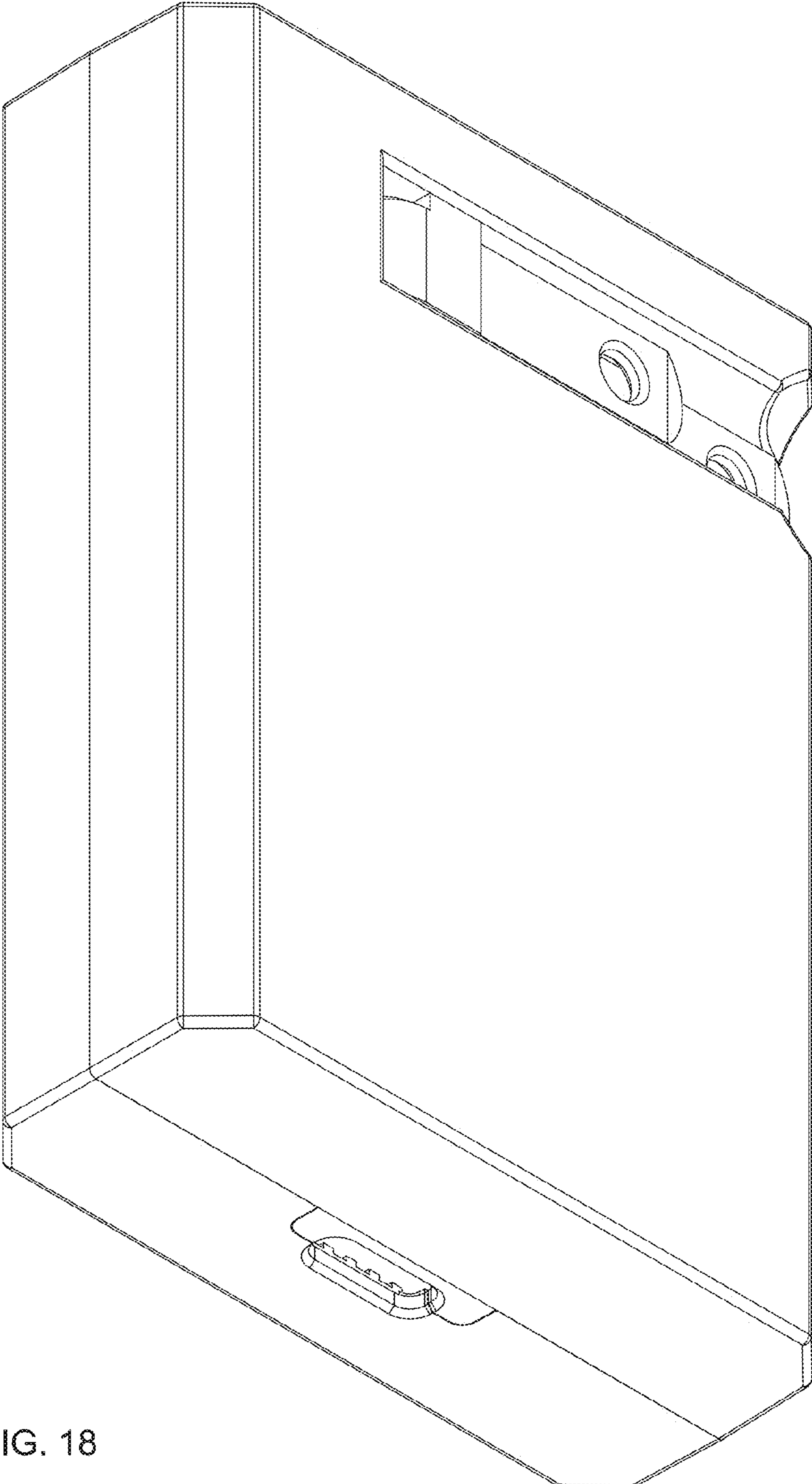


FIG. 18