



US00D946517S

(12) **United States Design Patent**  
**Zhang**

(10) **Patent No.:** **US D946,517 S**  
(45) **Date of Patent:** **\*\* Mar. 22, 2022**

(54) **EARPHONES WITH CHARGING CASE**

(71) Applicant: **SHENZHEN HONGRUNFA INDUSTRIAL CO., LTD**, Shenzhen (CN)

(72) Inventor: **Hong Zhang**, Shenzhen (CN)

(73) Assignee: **SHENZHEN HONGRUNFA INDUSTRIAL CO., LTD**, Shenzhen (CN)

(\*\*) Term: **15 Years**

(21) Appl. No.: **29/759,752**

(22) Filed: **Nov. 25, 2020**

(51) **LOC (13) Cl.** ..... **13-02**

(52) **U.S. Cl.**  
USPC ..... **D13/108**; D14/223; D3/294

(58) **Field of Classification Search**  
USPC ..... D13/107–110, 118–119, 184, 199;  
D14/251, 253, 432, 434, 223, 205;  
D24/174; D3/208, 218, 273, 274, 294  
(Continued)

(56) **References Cited**

**U.S. PATENT DOCUMENTS**

D806,388 S \* 1/2018 Akana ..... D3/294  
D841,580 S \* 2/2019 Bao ..... D13/108  
(Continued)

**OTHER PUBLICATIONS**

“EarFun Air True Wireless Earbuds with 4 Mics, Bluetooth 5.0 Earbuds Touch Control, USB-C Quick Charge with Wireless Charging, Deep Bass, in-Ear Detection Headphones, 35H Playtime (Black)”, Amazon.com, first available on Jun. 1, 2020. Retrieved from the internet: <[https://www.amazon.com/dp/B08B4QSSPS/ref=redir\\_mobile\\_desktop?\\_encoding=UTF8&aaxitk=8091a0140acb1bcc2faf86e5c353e962&hsa\\_cr\\_id=1325171140601&pd\\_rd\\_plhdr=t&pd\\_rd\\_r=d6a44139-ff34-4da4-845f-65244e23d33e](https://www.amazon.com/dp/B08B4QSSPS/ref=redir_mobile_desktop?_encoding=UTF8&aaxitk=8091a0140acb1bcc2faf86e5c353e962&hsa_cr_id=1325171140601&pd_rd_plhdr=t&pd_rd_r=d6a44139-ff34-4da4-845f-65244e23d33e)>

&pd\_rd\_w=UILZO&pd\_rd\_wg=JR28s&ref\_=sbx\_be\_s\_sparkle\_lsi4d\_asin\_2\_title&th=1>. (Year: 2020).\*

*Primary Examiner* — Rosemary K Tarcza

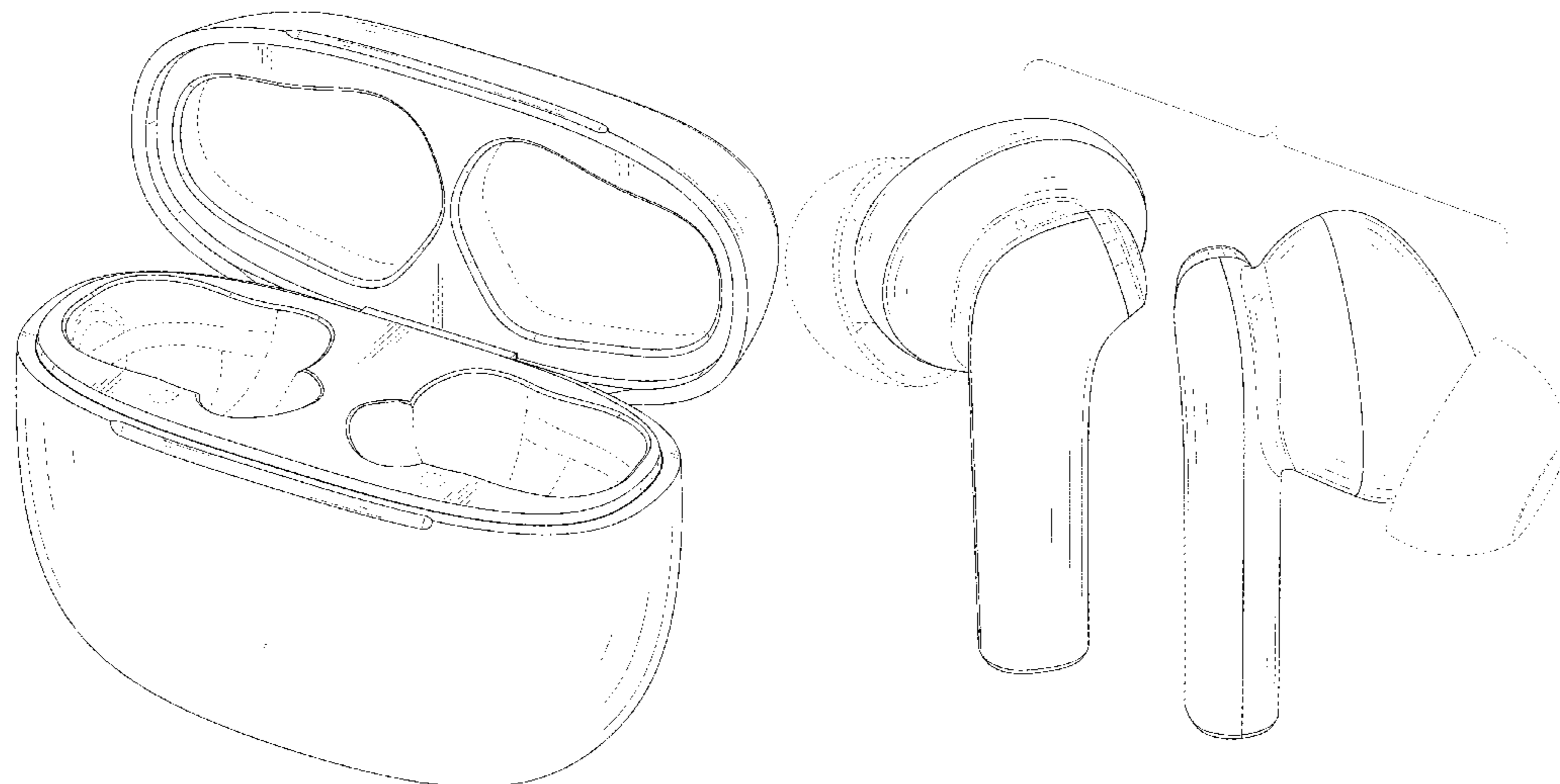
(57) **CLAIM**

The ornamental design for earphones with charging case, as shown and described.

**DESCRIPTION**

FIG. 1 is a perspective view of a charging case of earphones with charging case in an open configuration, shown separately in order to disclose aspects of the design that are not visible when combined;  
FIG. 2 is another perspective view thereof;  
FIG. 3 is a front elevational view thereof;  
FIG. 4 is a rear elevational view thereof;  
FIG. 5 is a left side elevational view thereof;  
FIG. 6 is a right side elevational view thereof;  
FIG. 7 is a top plan view thereof;  
FIG. 8 is a bottom plan view thereof;  
FIG. 9 is a perspective view of earphones of the earphones with charging case, shown separately in order to disclose aspects of the design that are not visible when combined;  
FIG. 10 is another perspective view thereof;  
FIG. 11 is a front elevational view thereof;  
FIG. 12 is a rear elevational view thereof;  
FIG. 13 is a left side elevational view thereof;  
FIG. 14 is a right side elevational view thereof;  
FIG. 15 is a top plan view thereof;  
FIG. 16 is a bottom plan view thereof;  
FIG. 17 is a perspective view of the earphones with charging case, shown in use with the earphones received in the charging case; and,  
FIG. 18 is a perspective view of the charging case of the earphones with charging case in a closed configuration, shown separately in order to disclose aspects of the design that are not visible when combined.  
The broken lines in the drawings depict portions of the earphones with charging case that form no part of the claimed design.

**1 Claim, 18 Drawing Sheets**



(58) **Field of Classification Search**  
 CPC ..... H02J 7/025; H02J 7/005; H02J 7/0026;  
 H02J 7/0042; H02J 7/0044; H02J 7/0045;  
 H02J 7/0013; H02J 7/0003; H02J 7/02;  
 H02J 50/10; H02J 50/12; A45C  
 2011/001; A45C 2011/002; A45C  
 2011/003; H04R 1/1025; H04R 1/1016  
 See application file for complete search history.

(56) **References Cited**

U.S. PATENT DOCUMENTS

D881,572 S \* 4/2020 Wang ..... D3/294  
 D887,351 S 6/2020 Bonahoom et al.  
 D890,725 S 7/2020 Liu  
 D893,184 S \* 8/2020 Liu ..... D3/294  
 D897,997 S \* 10/2020 Zhang ..... D14/223  
 D901,377 S \* 11/2020 Zhou ..... D13/108  
 D902,588 S \* 11/2020 Zhang ..... D3/294  
 D904,023 S \* 12/2020 Wang ..... D3/294  
 D904,025 S \* 12/2020 Ma ..... D3/295  
 D906,299 S \* 12/2020 Luo ..... D14/223

D907,009 S \* 1/2021 Akana ..... D14/223  
 D911,027 S \* 2/2021 Liang ..... D3/274  
 D911,944 S \* 3/2021 Gao ..... D13/108  
 D912,622 S \* 3/2021 Zhou ..... D13/108  
 D914,591 S \* 3/2021 Ganapathy ..... D13/107  
 D918,138 S \* 5/2021 Ma ..... D13/108  
 D922,946 S \* 6/2021 Chen ..... D13/108  
 D923,609 S \* 6/2021 Li ..... D14/223  
 D924,209 S \* 7/2021 Wu ..... D14/223  
 D925,498 S \* 7/2021 Lin ..... D14/223  
 D925,499 S \* 7/2021 Xie ..... D14/223  
 D927,417 S \* 8/2021 Sretovic ..... D13/108  
 D927,465 S \* 8/2021 Wang ..... D14/223  
 D929,374 S \* 8/2021 Akana ..... D14/223  
 D929,380 S \* 8/2021 Park ..... D14/223  
 D929,969 S \* 9/2021 Ding ..... D14/223  
 D929,971 S \* 9/2021 Zhou ..... D14/223  
 D929,972 S \* 9/2021 Akana ..... D14/223  
 D931,258 S \* 9/2021 Ding ..... D14/223  
 D931,838 S \* 9/2021 Deng ..... D14/223  
 2021/0006889 A1 \* 1/2021 Geng ..... H02J 7/0045  
 2021/0160607 A1 \* 5/2021 Liu ..... H04B 1/3888

\* cited by examiner

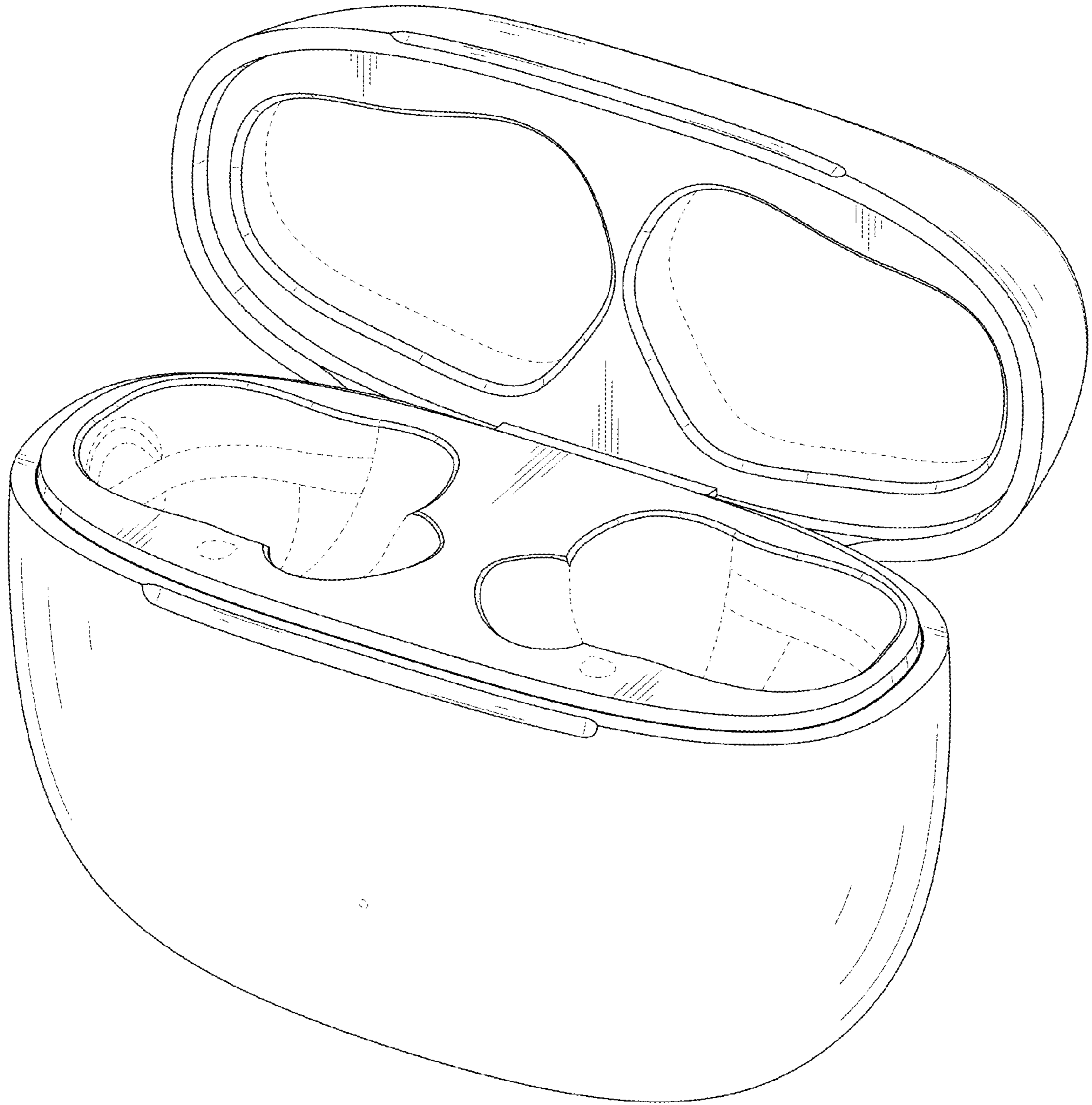


FIG. 1

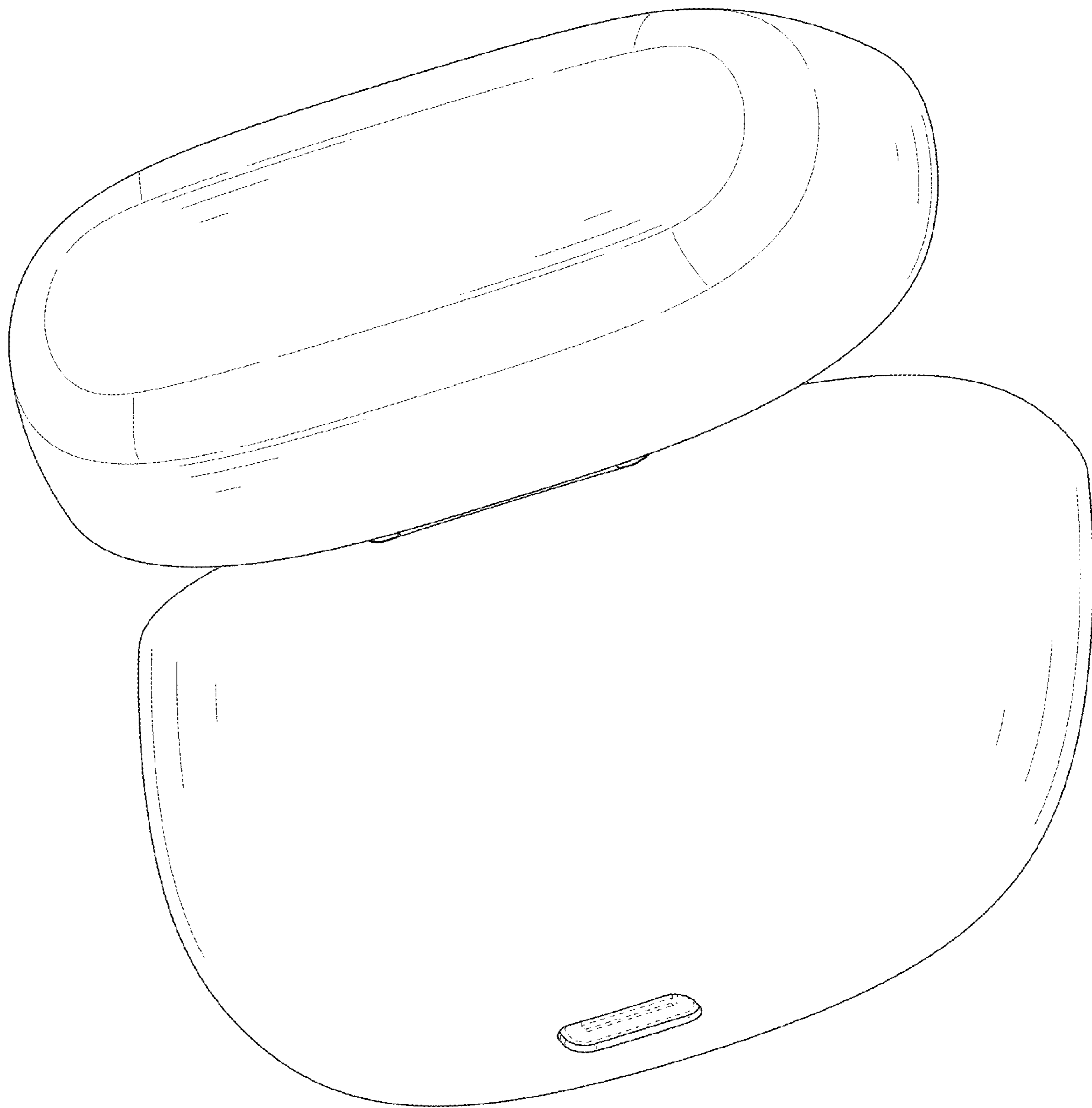


FIG. 2

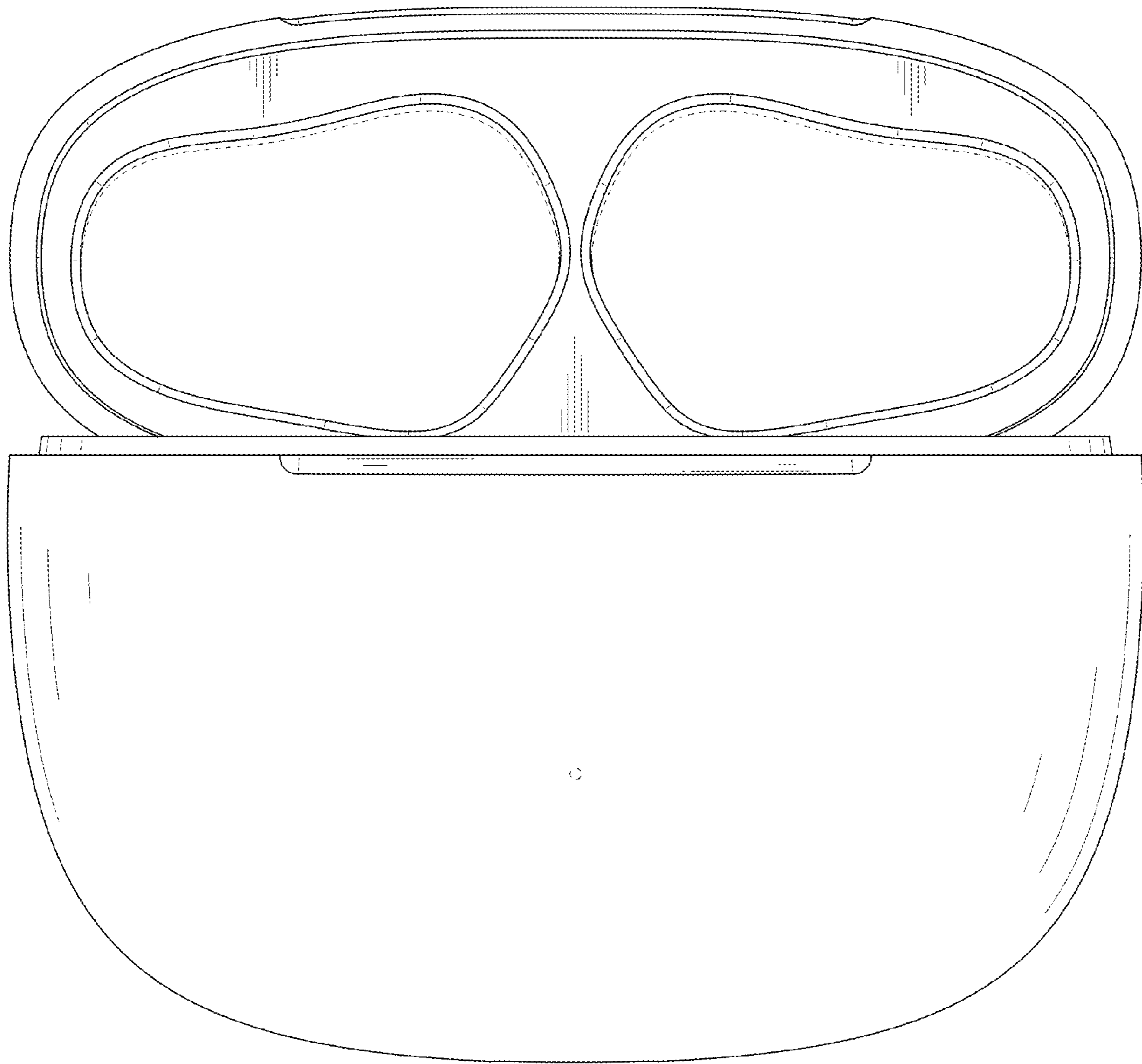


FIG. 3

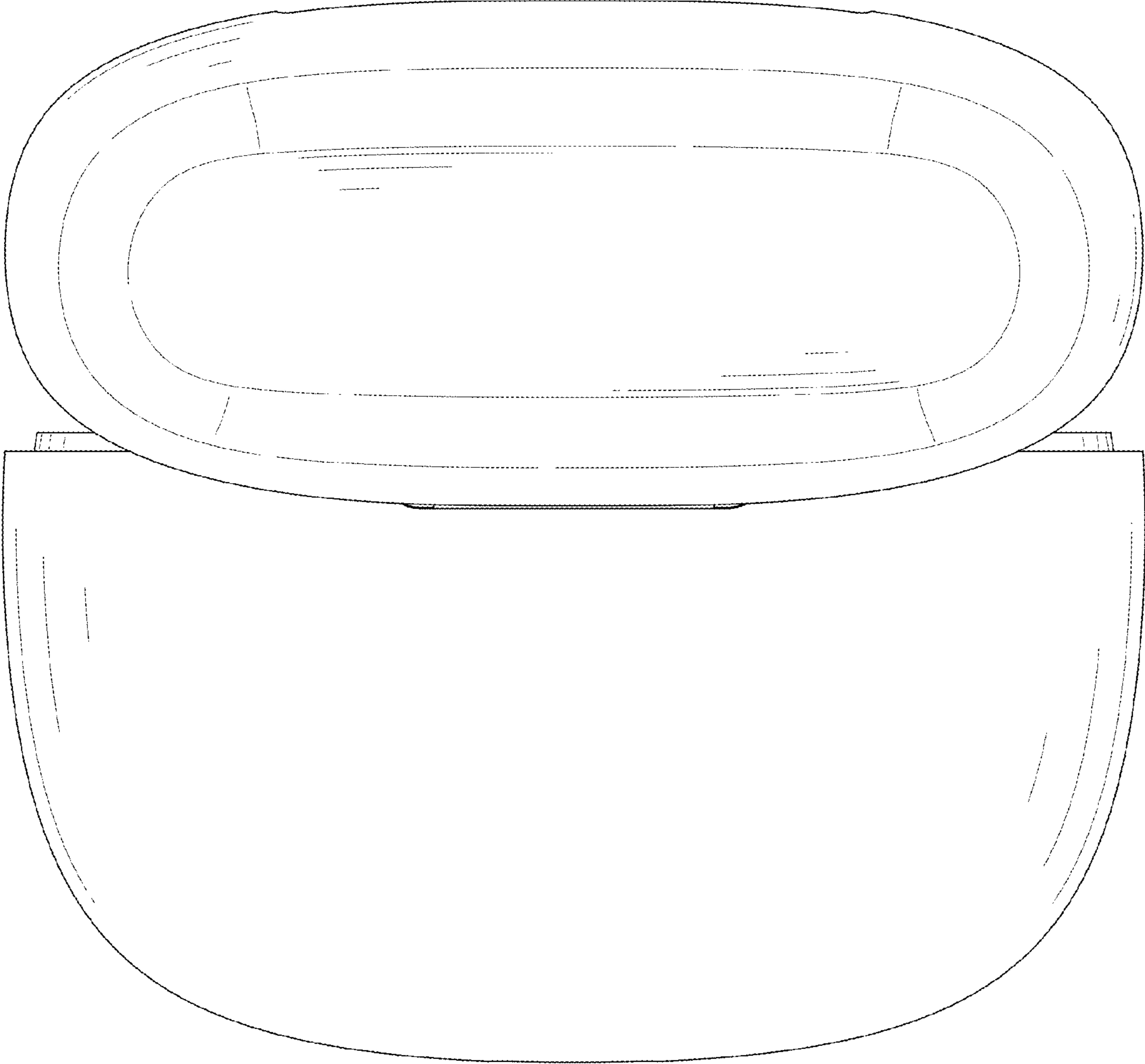


FIG. 4

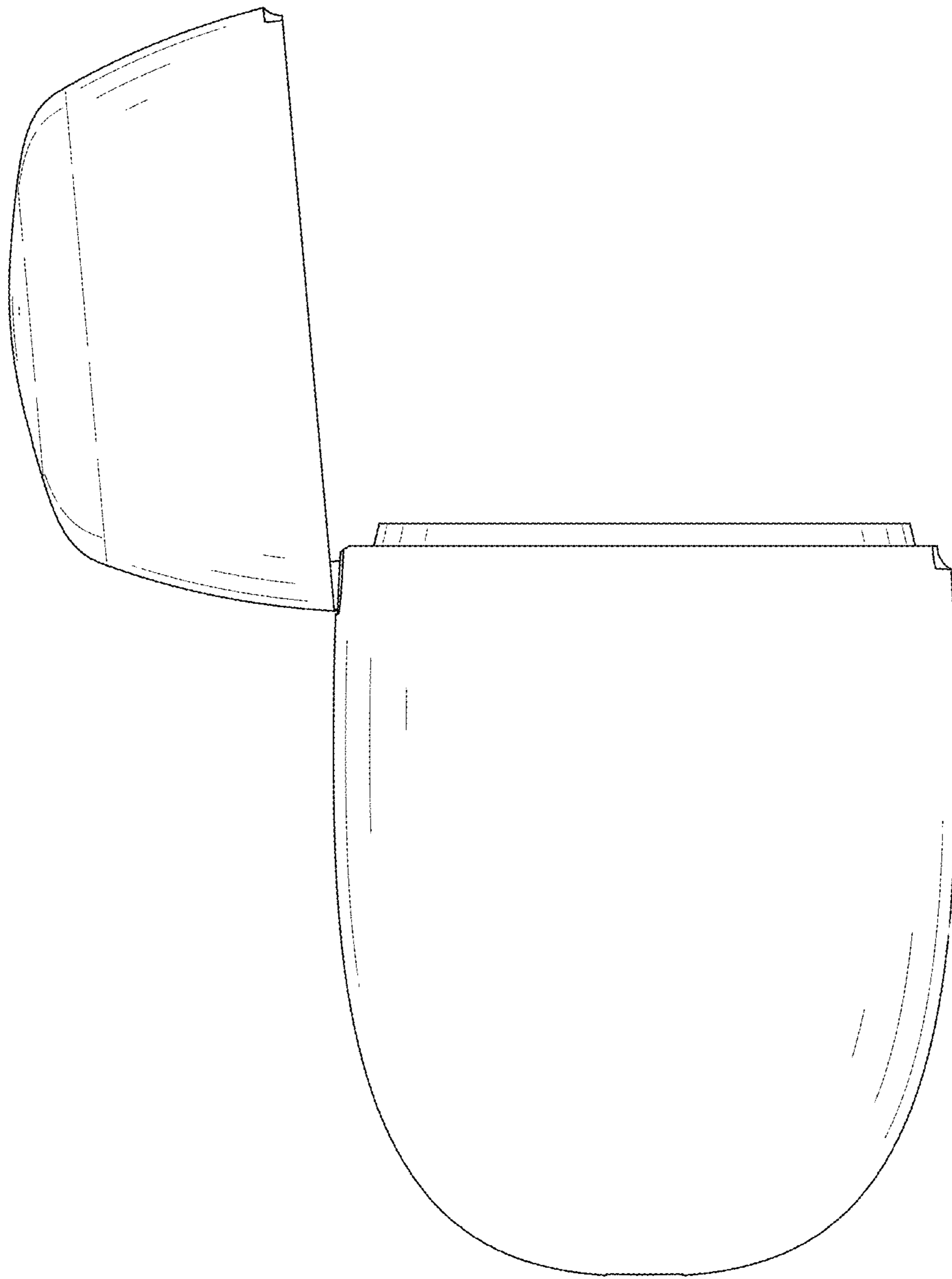


FIG. 5

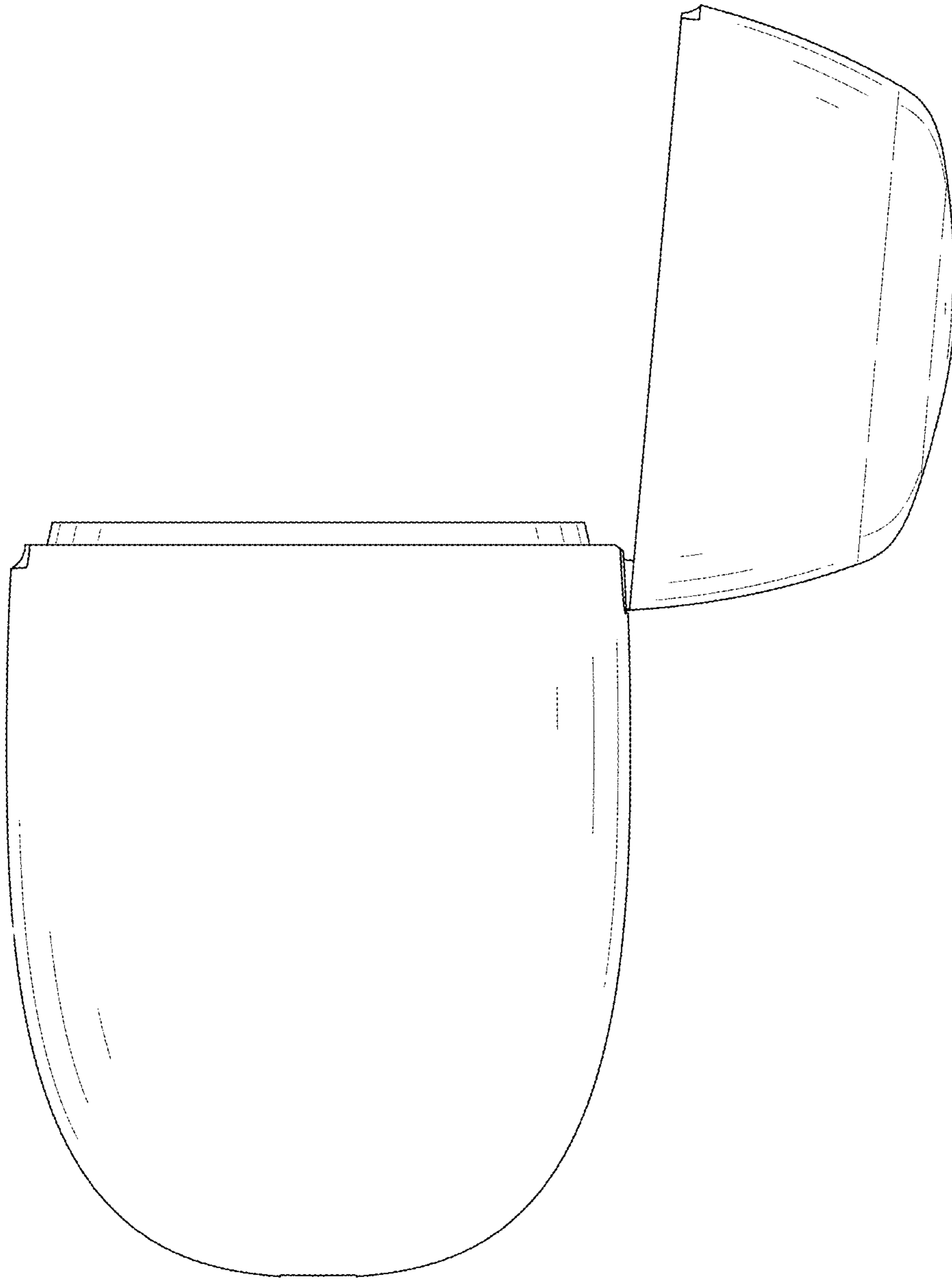


FIG. 6



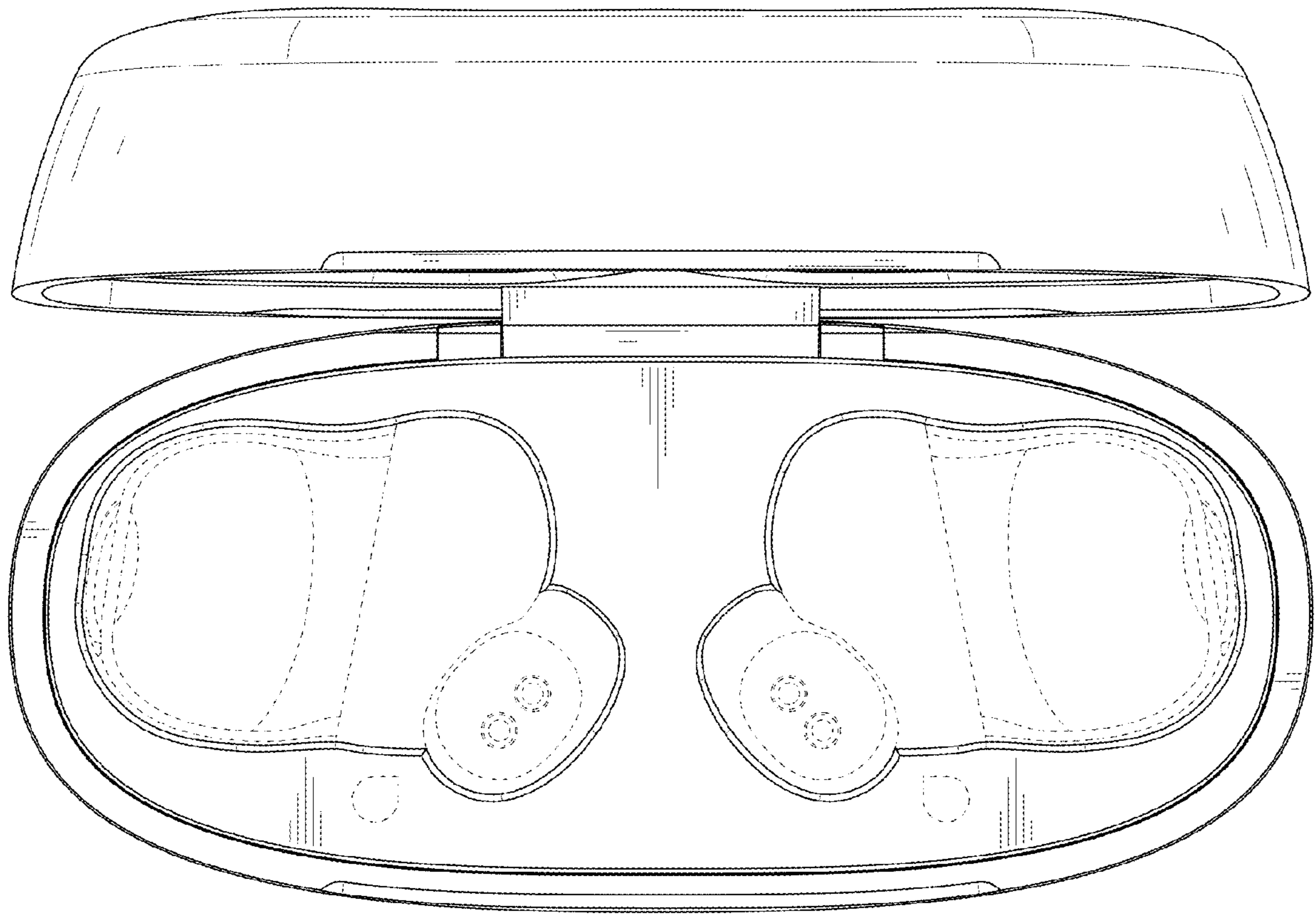


FIG. 7

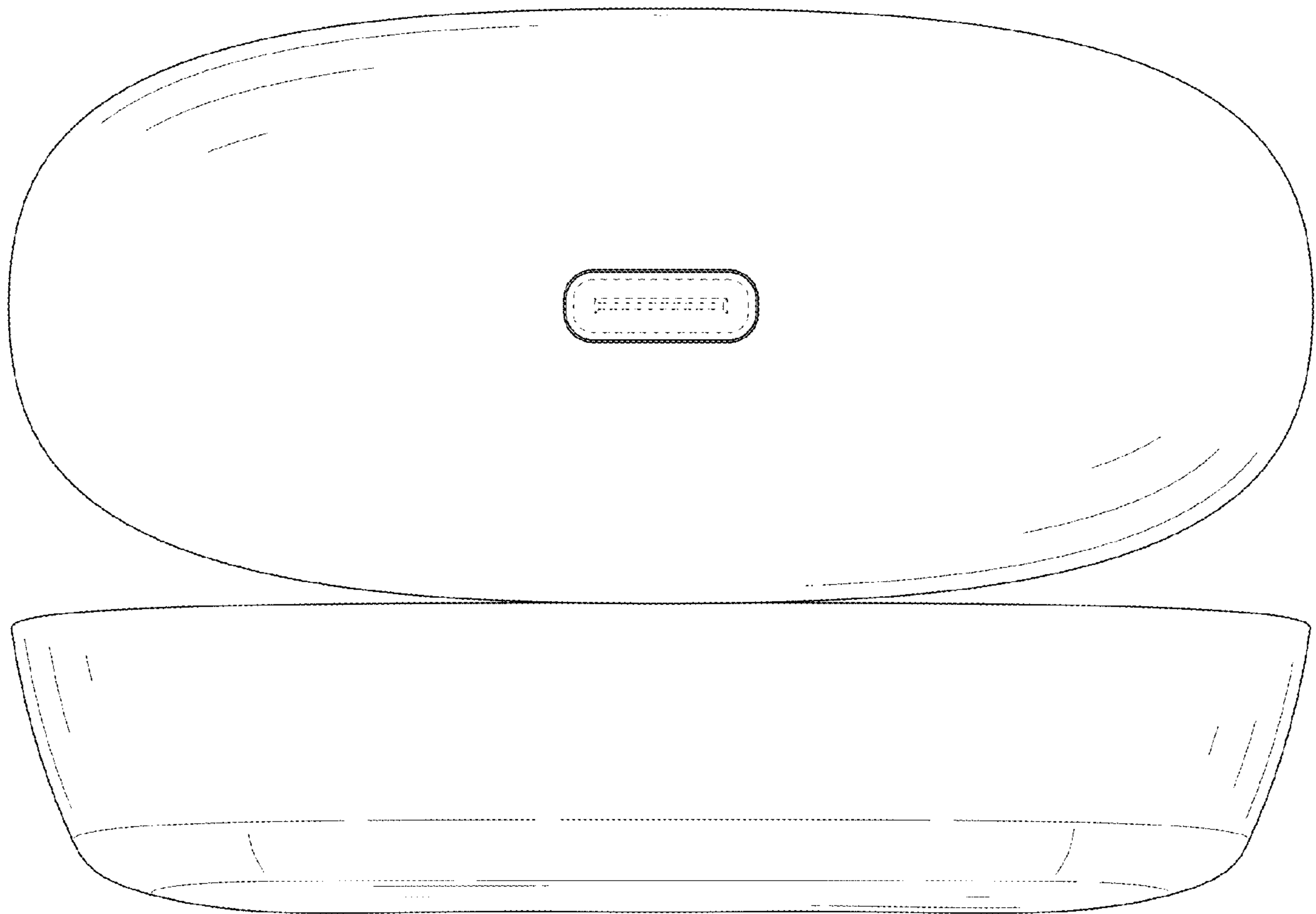


FIG. 8

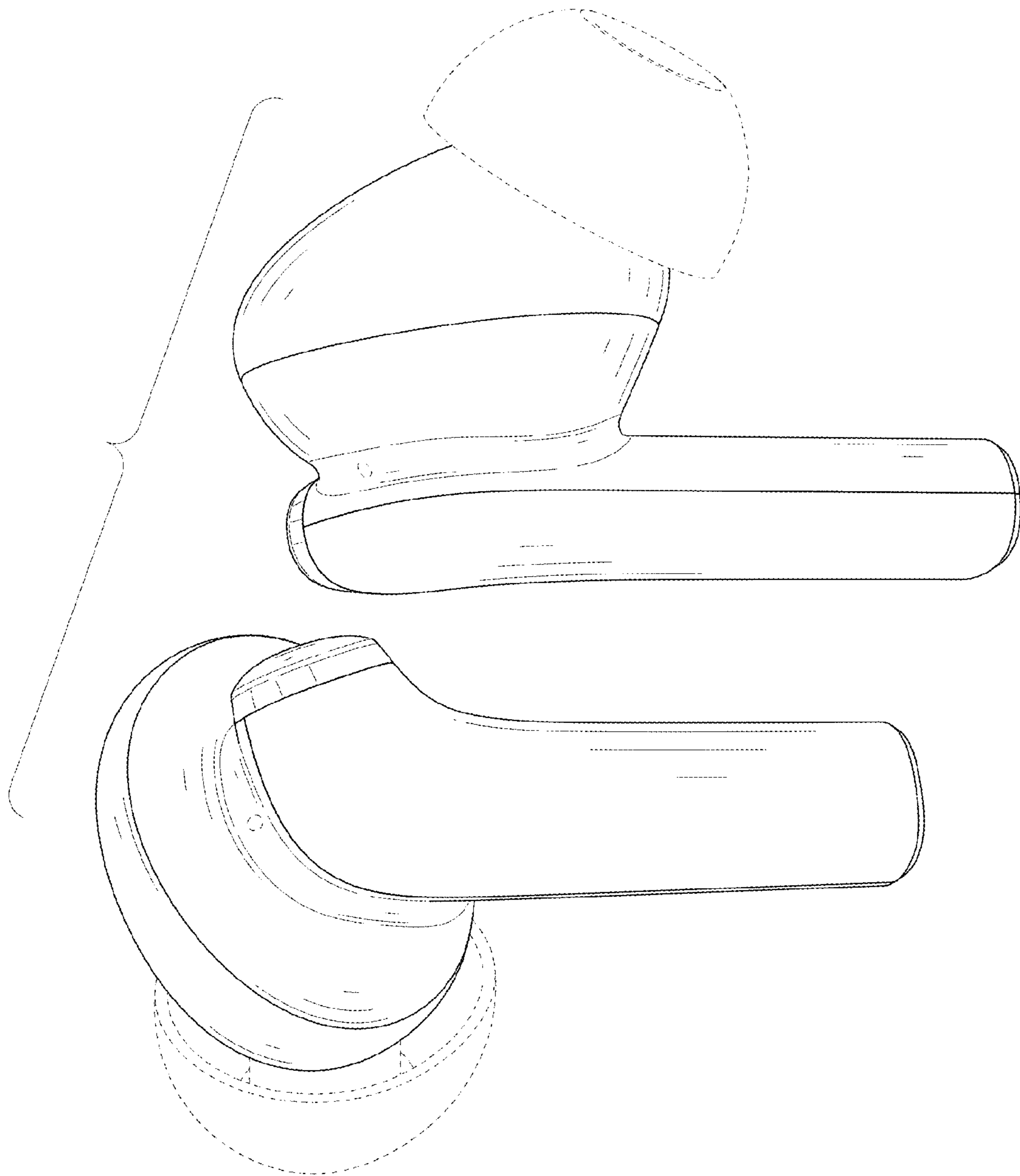


FIG. 9

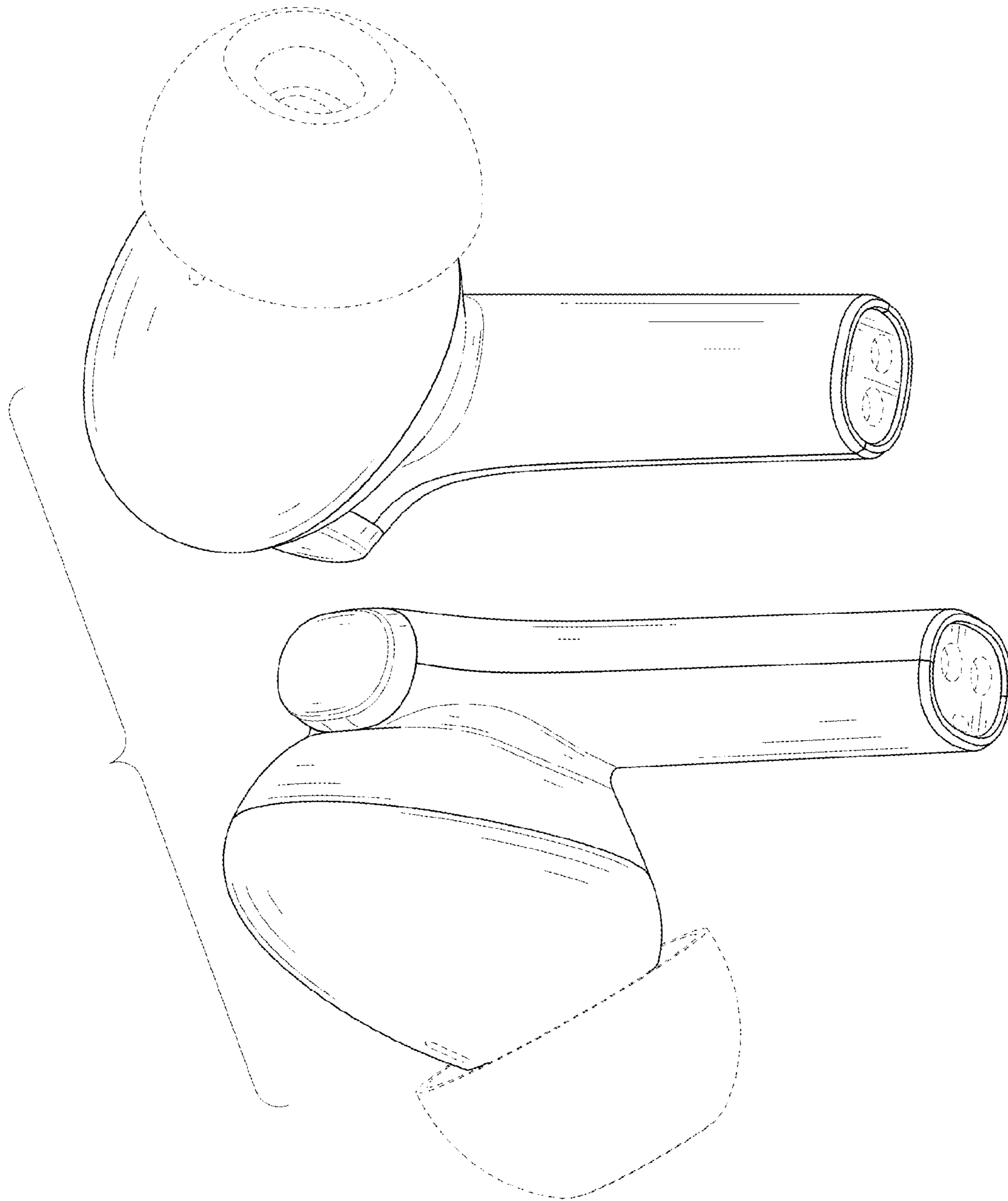


FIG. 10

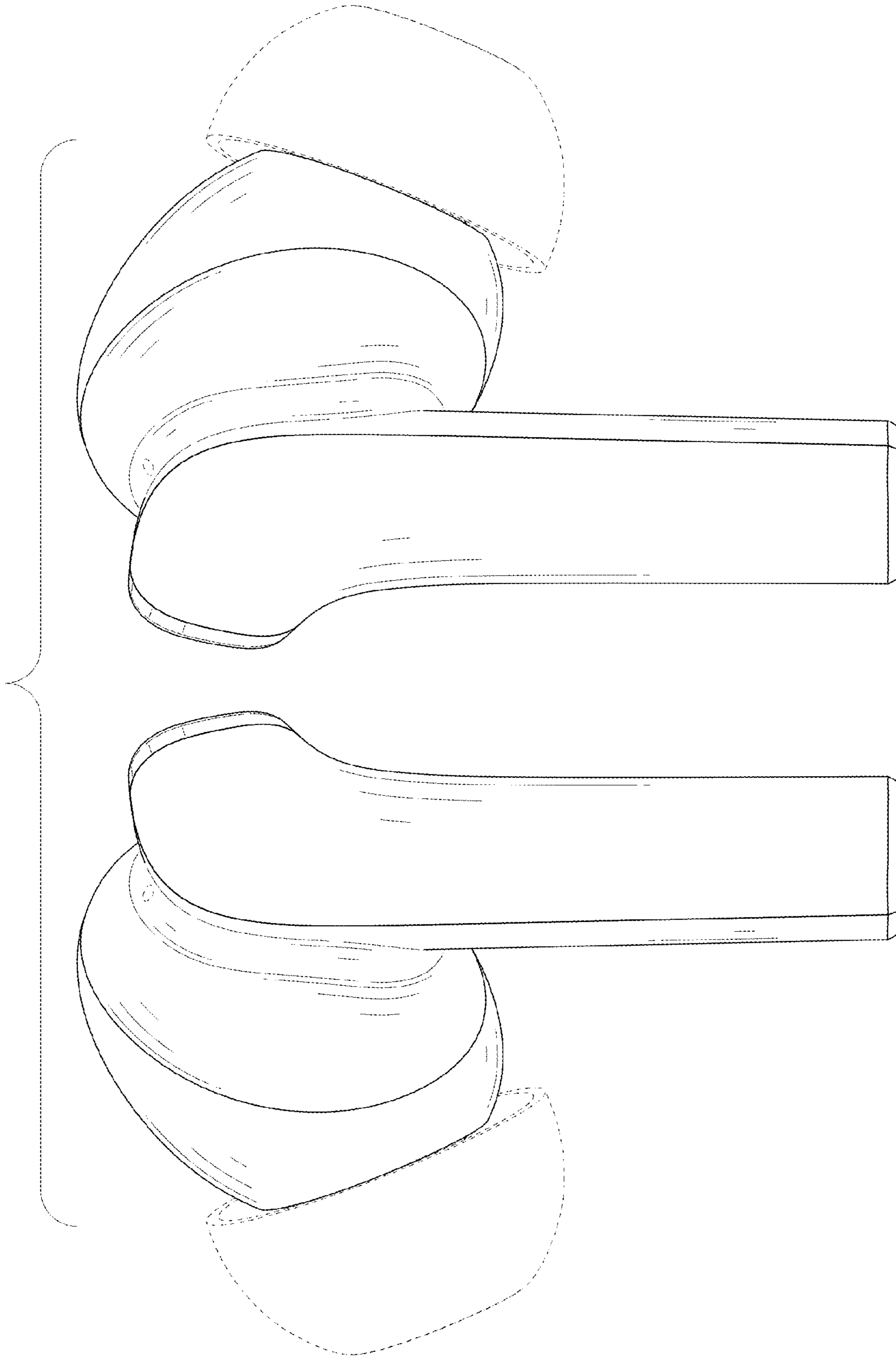


FIG. 11

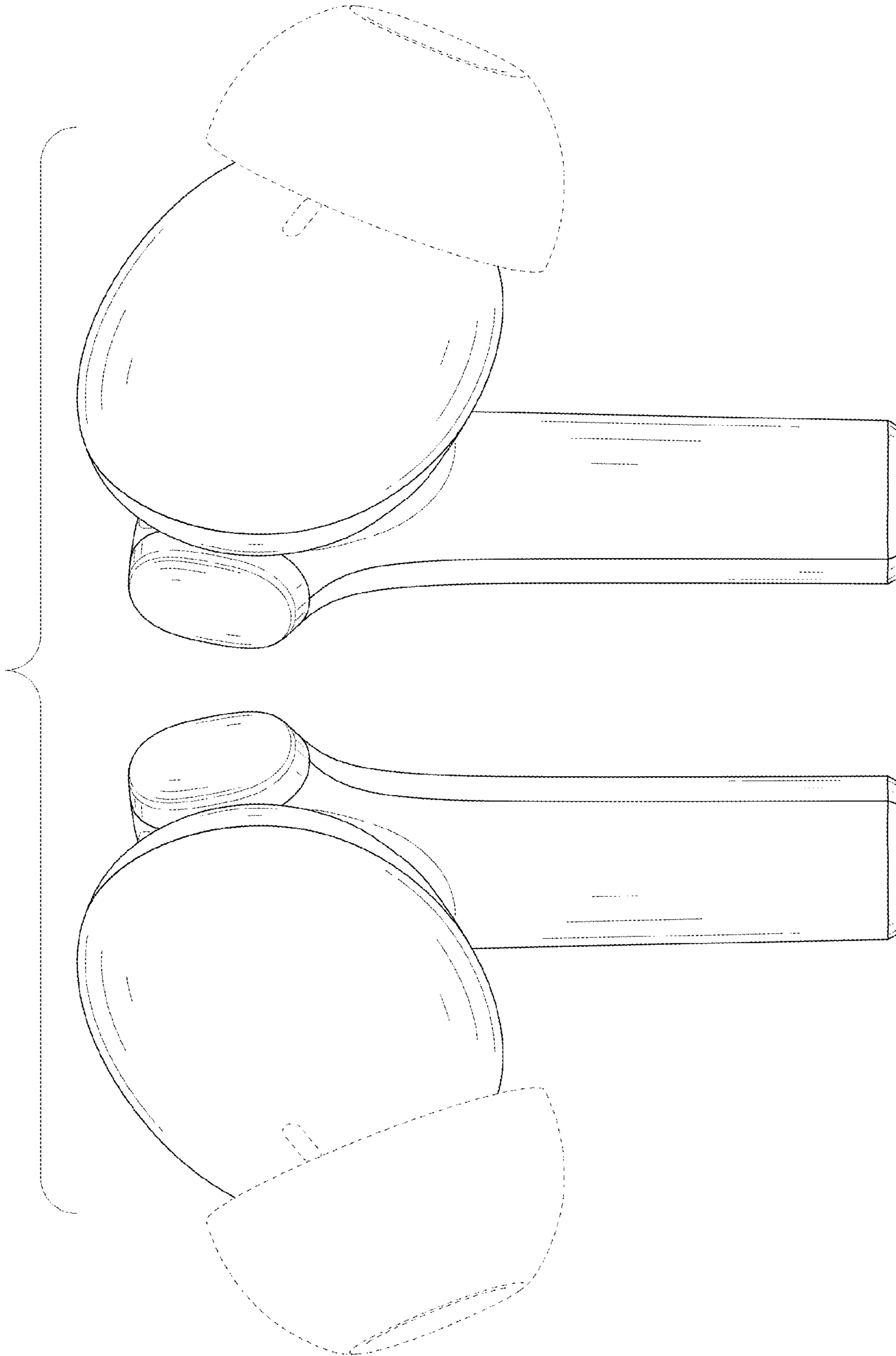


FIG. 12

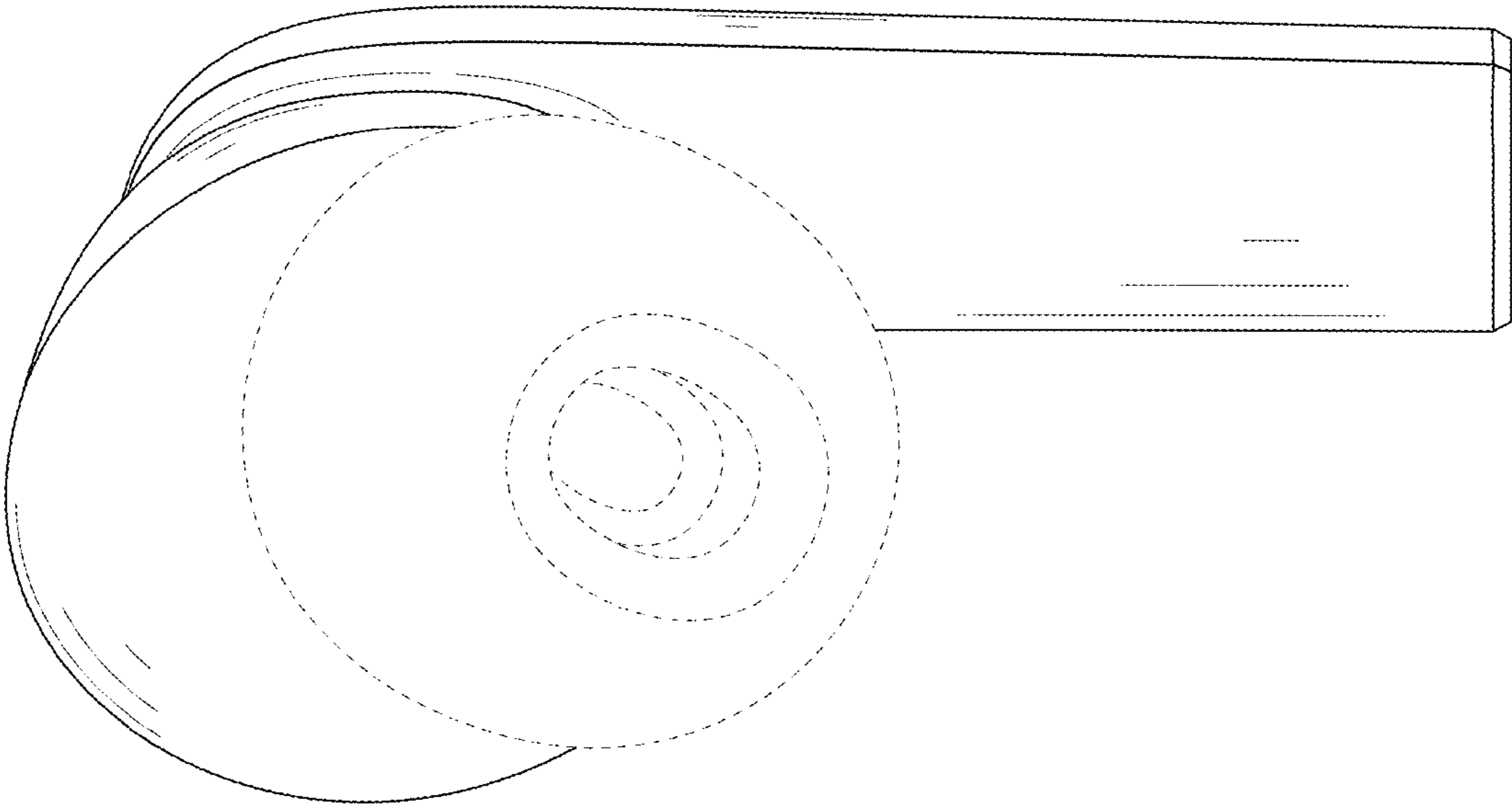


FIG. 13

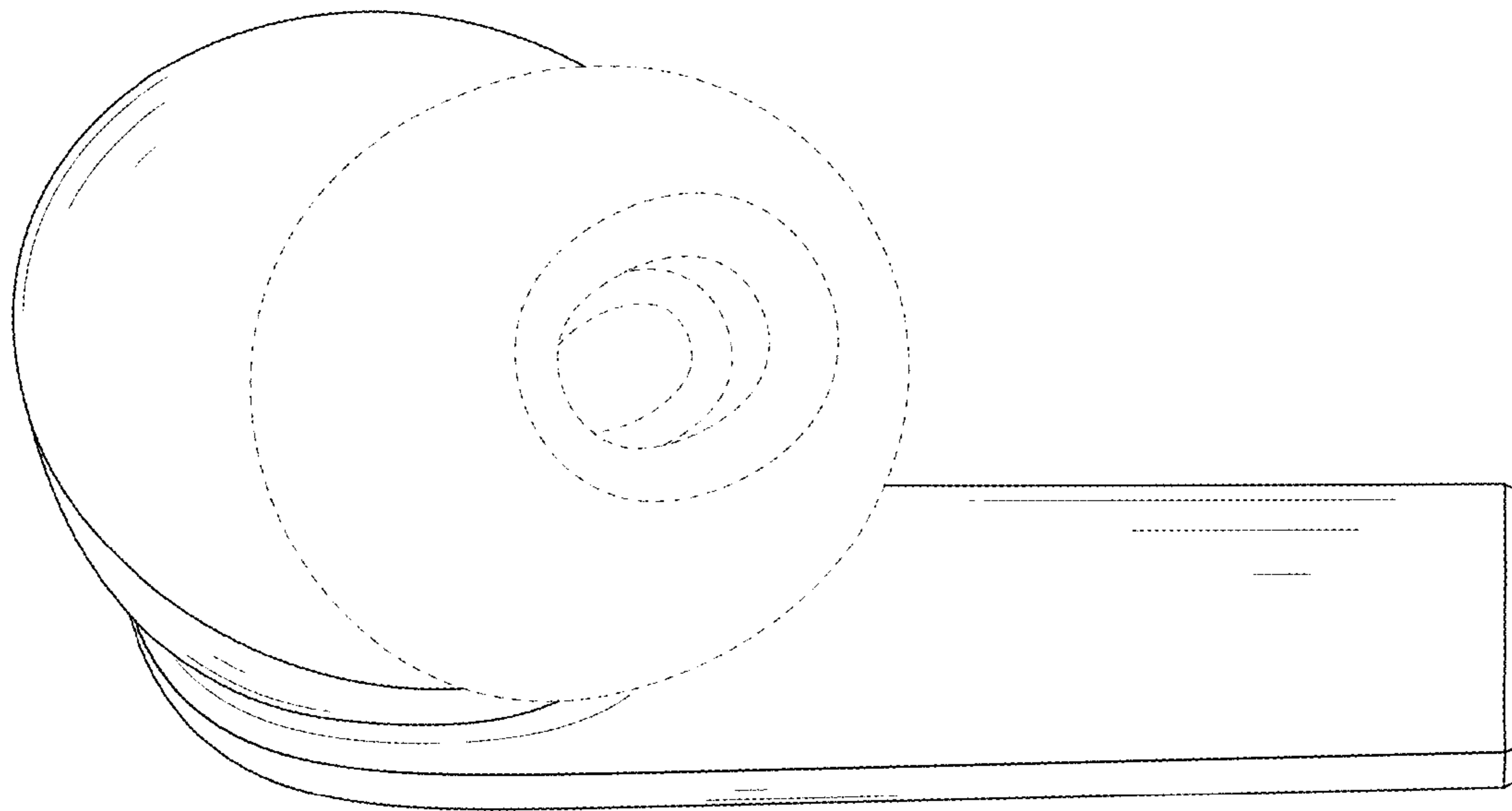


FIG. 14



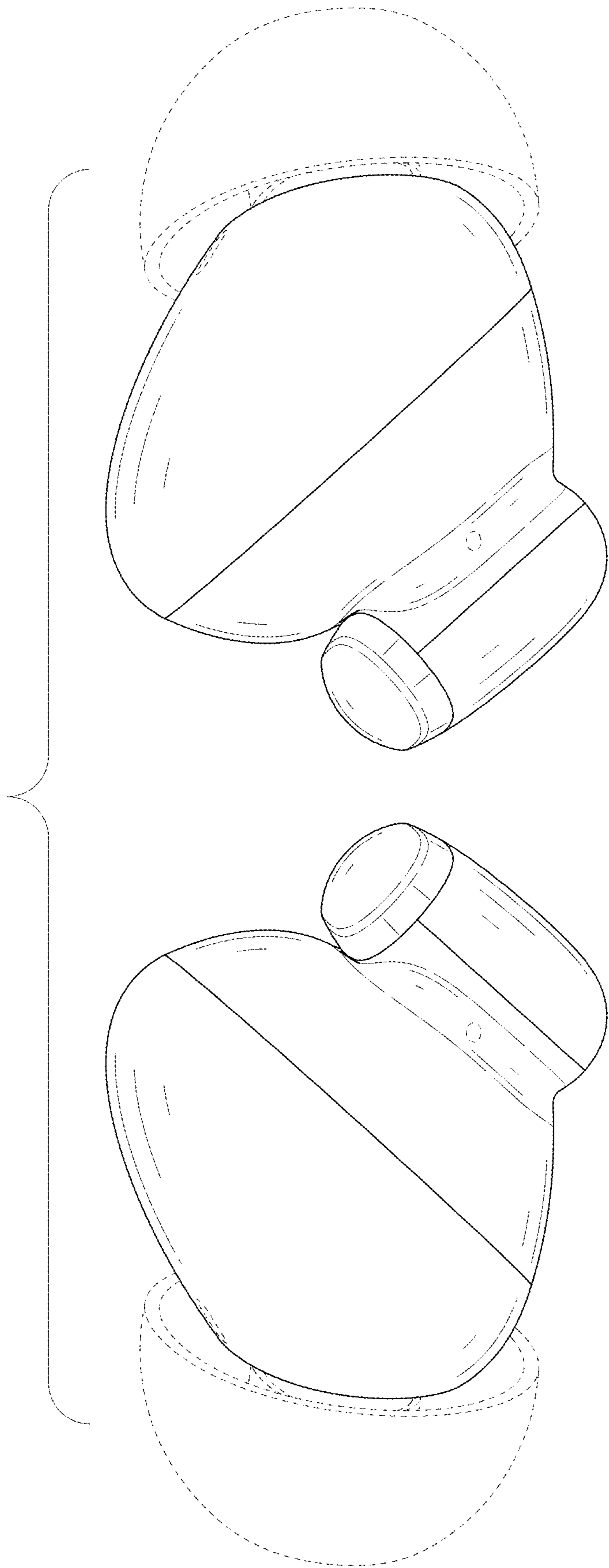


FIG. 15

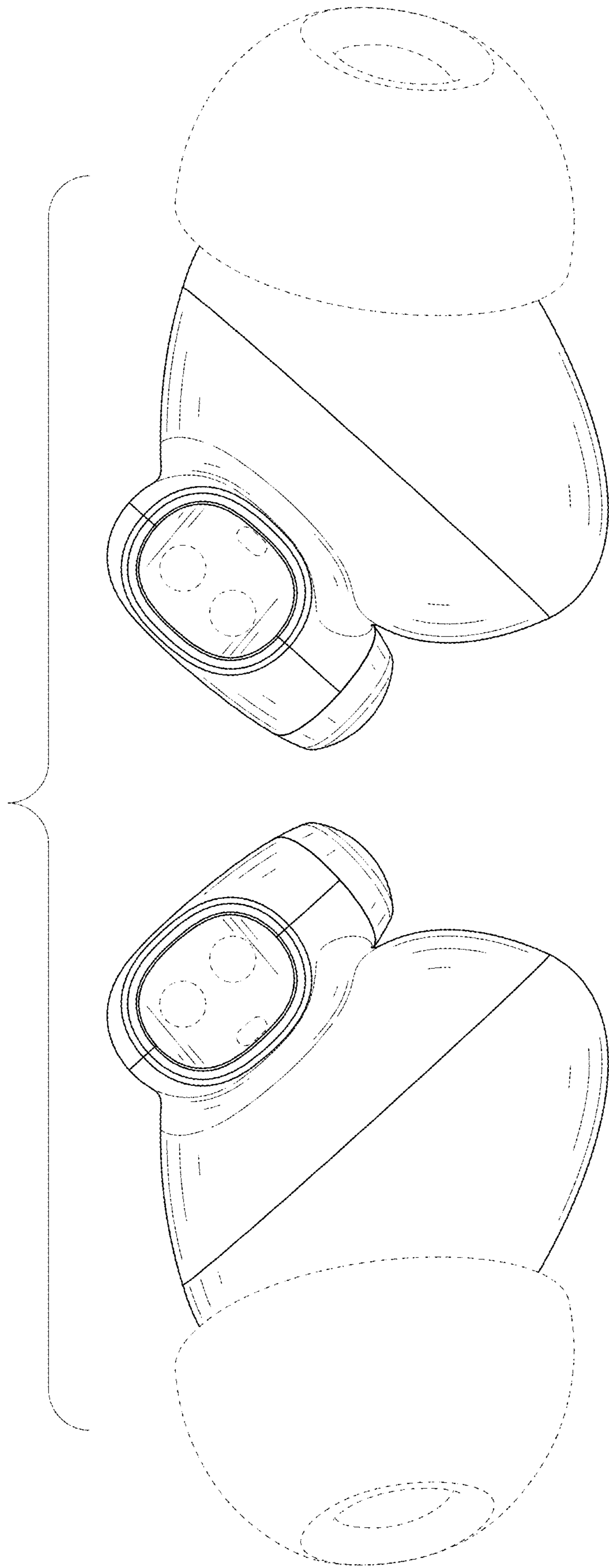


FIG. 16

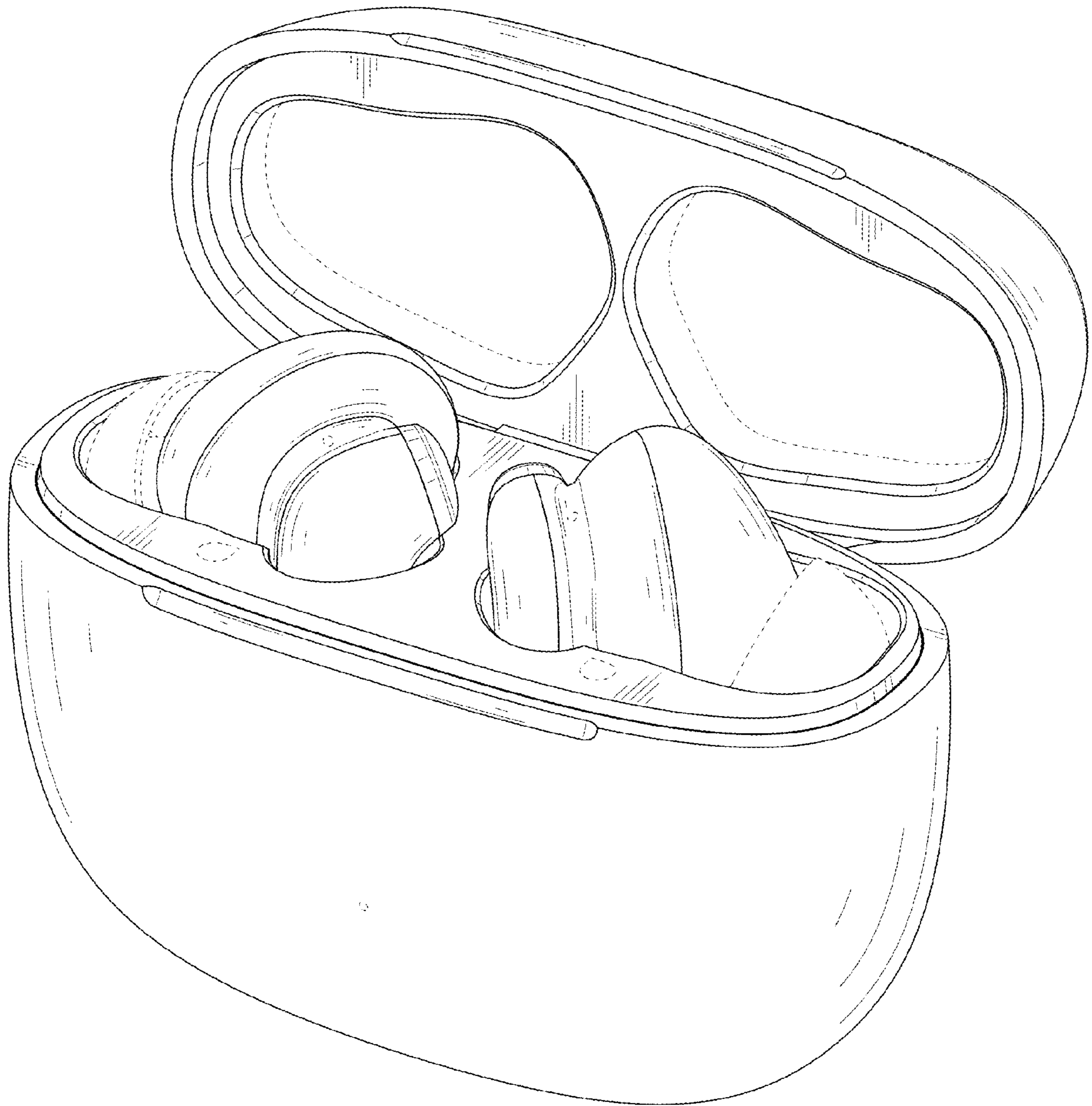


FIG. 17

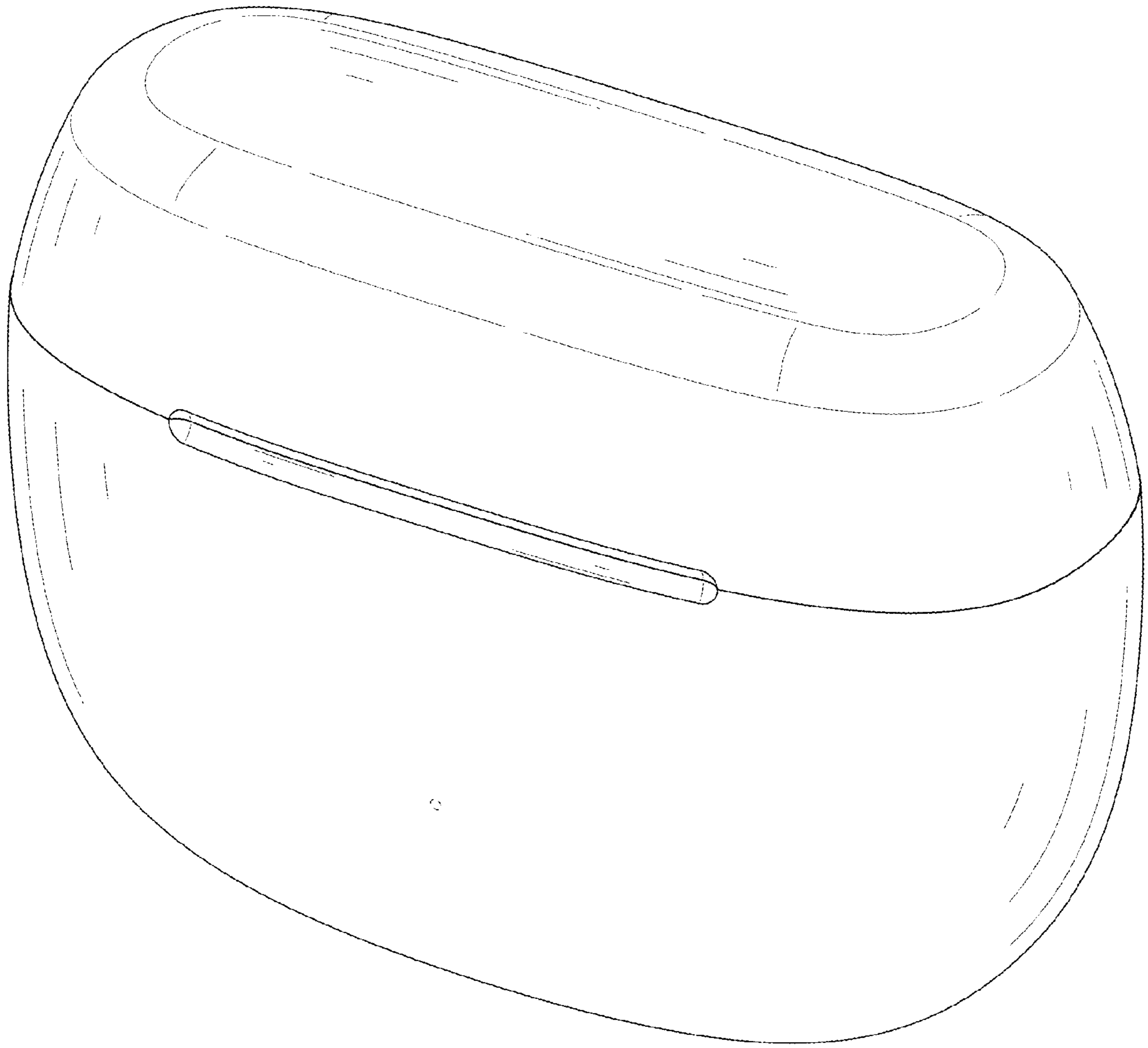


FIG. 18