

US00D946516S

(12) **United States Design Patent**  
**Teng**

(10) **Patent No.:** **US D946,516 S**

(45) **Date of Patent:** **\*\* Mar. 22, 2022**

(54) **CHARGING STATION FOR MULTIPLE DEVICES**

(71) Applicant: **Siek Meng Teng**, Burnaby (CA)

(72) Inventor: **Siek Meng Teng**, Burnaby (CA)

(73) Assignee: **Siek Meng Teng**

(\*\*) Term: **15 Years**

(21) Appl. No.: **29/756,037**

(22) Filed: **Oct. 25, 2020**

(51) **LOC (13) Cl.** ..... **13-02**

(52) **U.S. Cl.**  
USPC ..... **D13/108**

(58) **Field of Classification Search**  
USPC ..... D13/102-110, 118, 119, 184, 199;  
D14/251, 253, 432, 434

CPC .... H01M 10/44; H01M 10/46; H01M 10/465;  
H01M 10/482; H01M 10/4257; H01M  
10/0436; H01M 10/48; H01M 2200/30;  
H01M 2250/30; H01M 2250/40; Y02T  
10/7005; Y02T 10/705; Y02T 10/7088;  
Y02E 60/10; Y02E 60/12; Y02E 60/122;  
Y02E 60/124; Y02E 60/50; H02J 7/00;  
H02J 7/0003; H02J 7/0011; H02J 7/0013;  
H02J 7/0054; H02J 7/0055; H02J 7/0057;  
H02J 7/0034; H02J 7/1423; H02J  
2001/006

See application file for complete search history.

(56) **References Cited**

U.S. PATENT DOCUMENTS

D705,722 S *	5/2014	Gengler .....	D13/107
D887,350 S *	6/2020	Yamamoto .....	D13/108
D896,170 S *	9/2020	Xiao .....	D13/108
D929,321 S *	8/2021	Zhu .....	D13/108
D929,323 S *	8/2021	Oba .....	D13/108
D933,594 S *	10/2021	Zhang .....	D13/108
D935,400 S *	11/2021	Zhang .....	D13/108

\* cited by examiner

*Primary Examiner* — Christy Nemeth

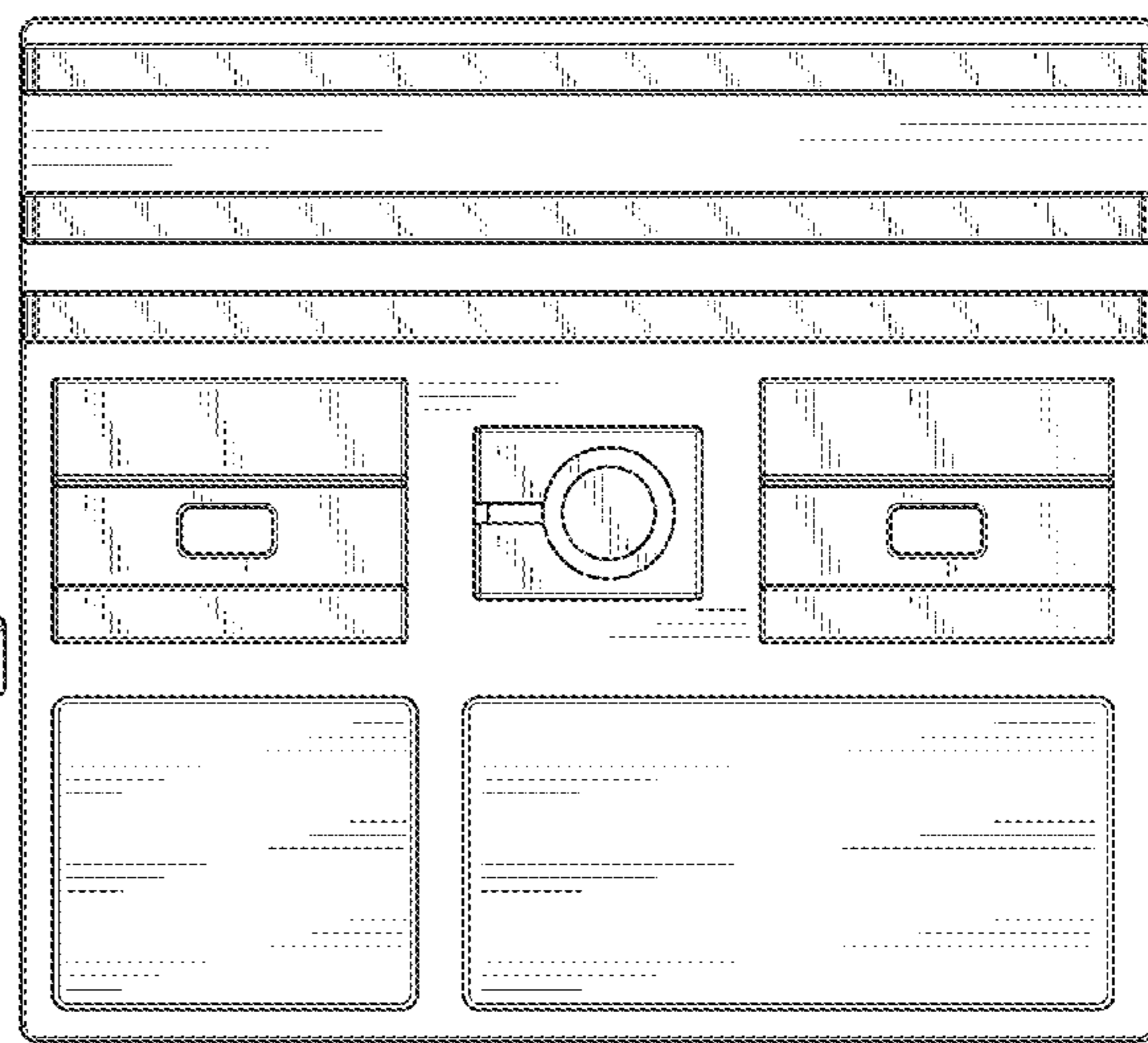
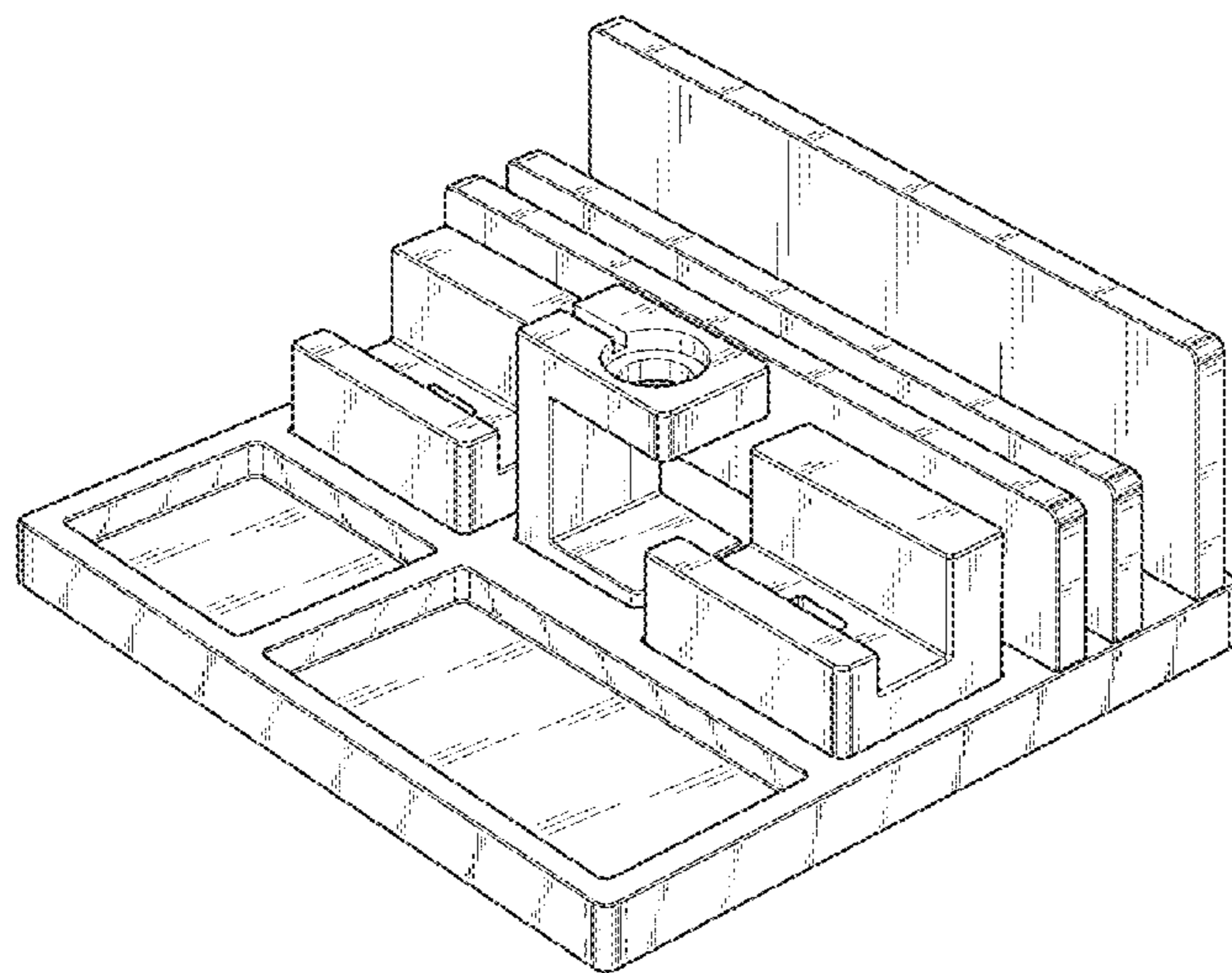
(57) **CLAIM**

The ornamental design for a charging station for multiple devices, as shown.

**DESCRIPTION**

FIG. 1 is a perspective view of a charging station for multiple devices showing my new design; FIG. 2 is a right side elevation view thereof; FIG. 3 is a left side elevation view thereof; FIG. 4 is a front elevation view thereof; FIG. 5 is a rear elevation view thereof; FIG. 6 is a bottom plan view thereof; and, FIG. 7 is a top plan view thereof.

**1 Claim, 7 Drawing Sheets**



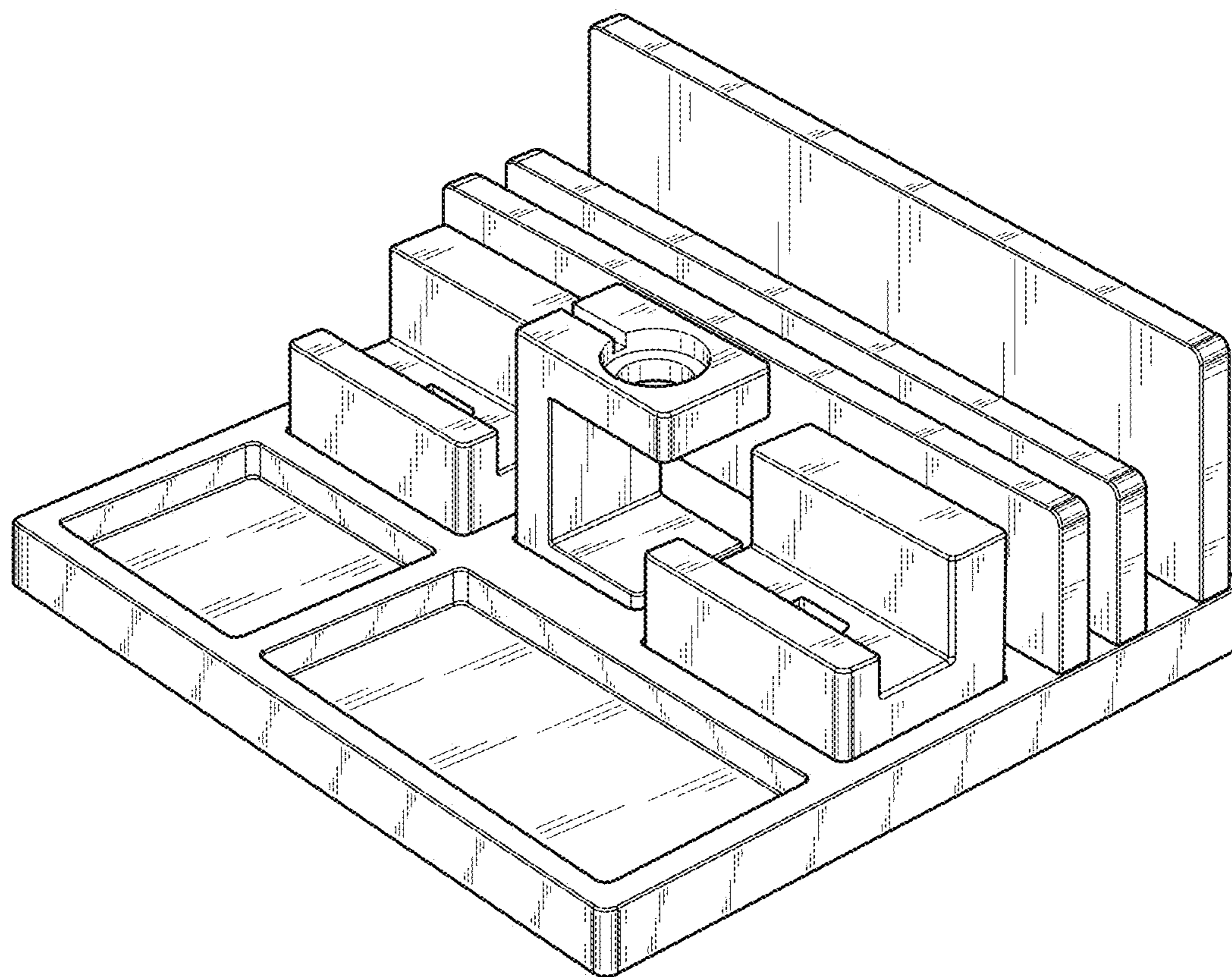


Fig. 1

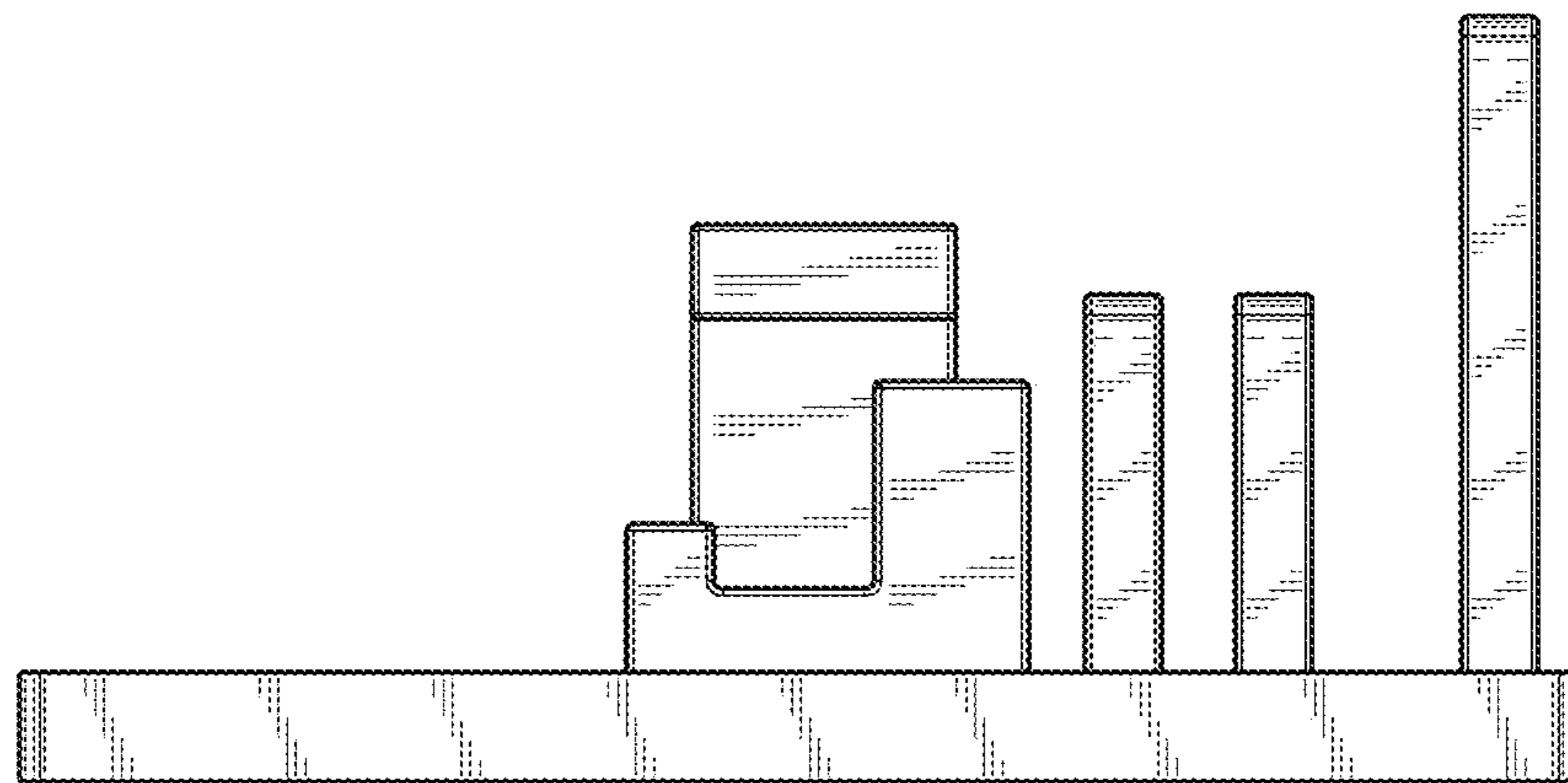


Fig. 2

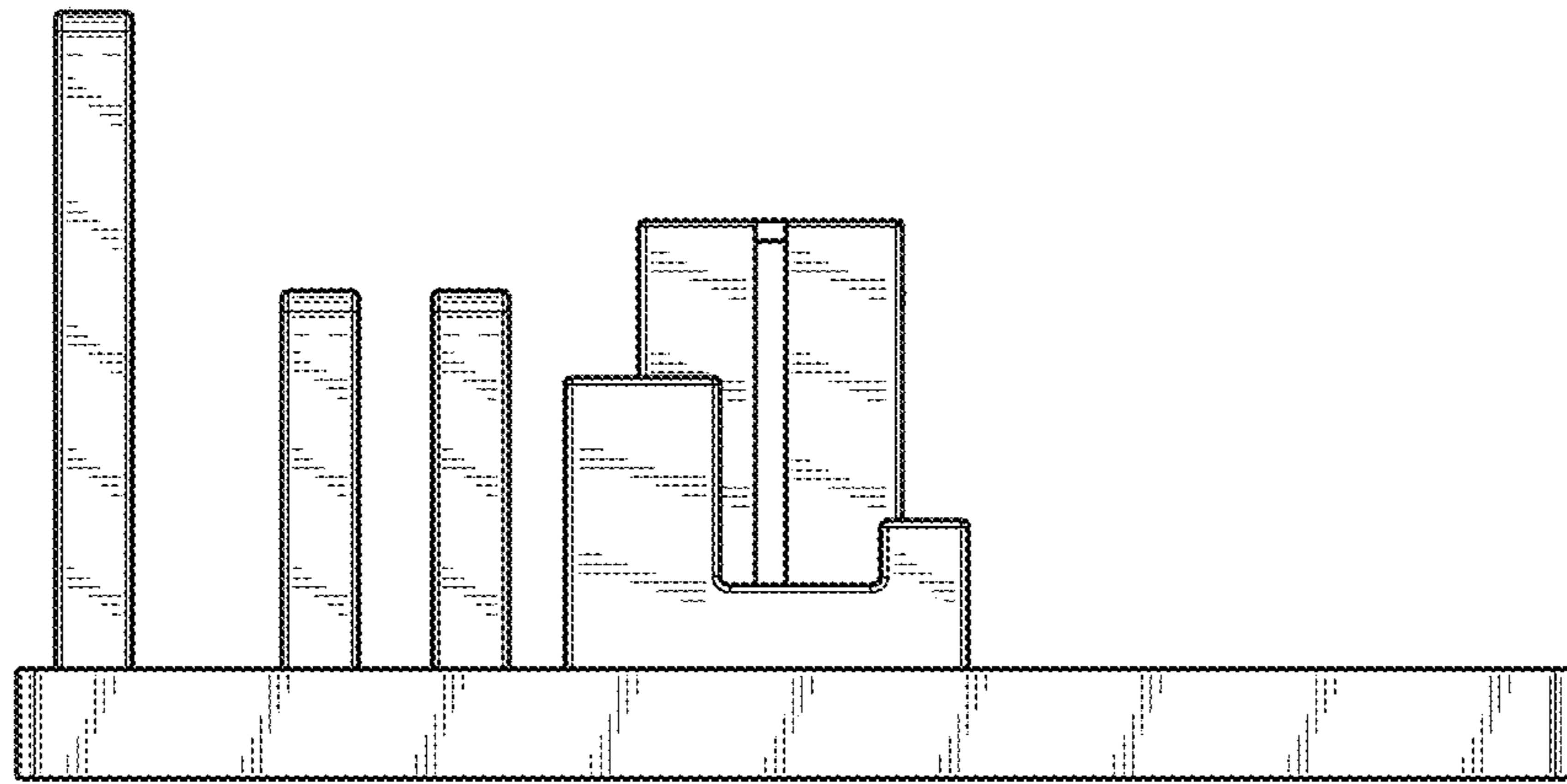


Fig. 3

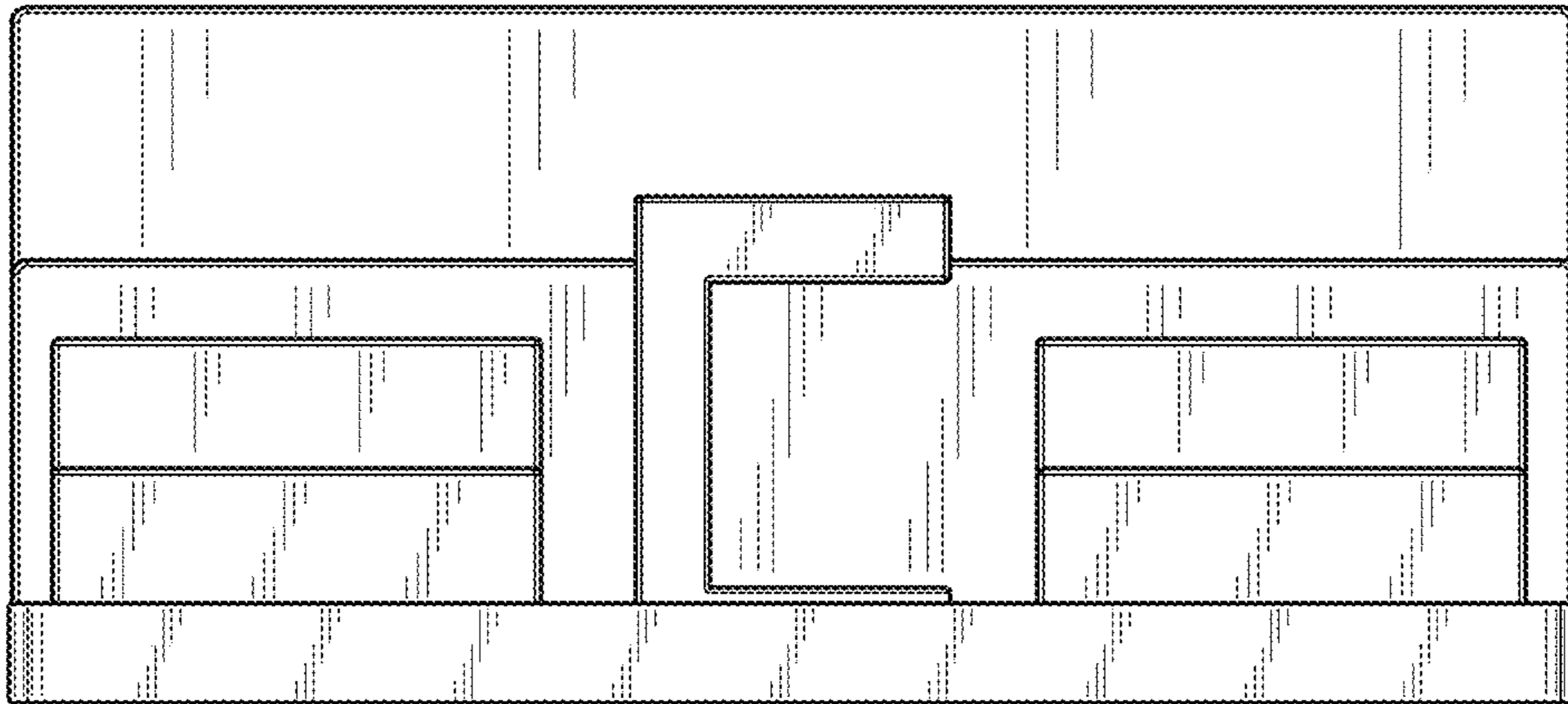


Fig. 4



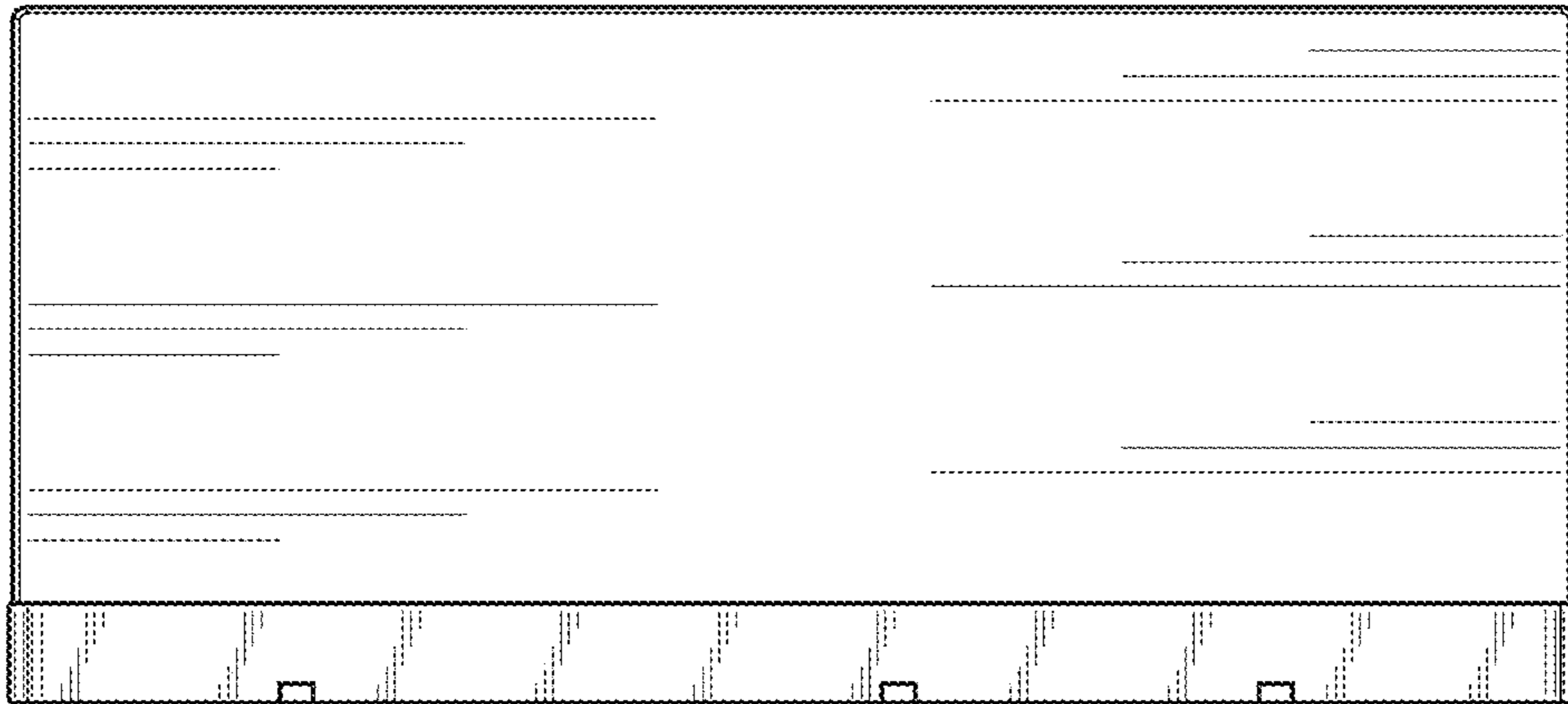


Fig. 5

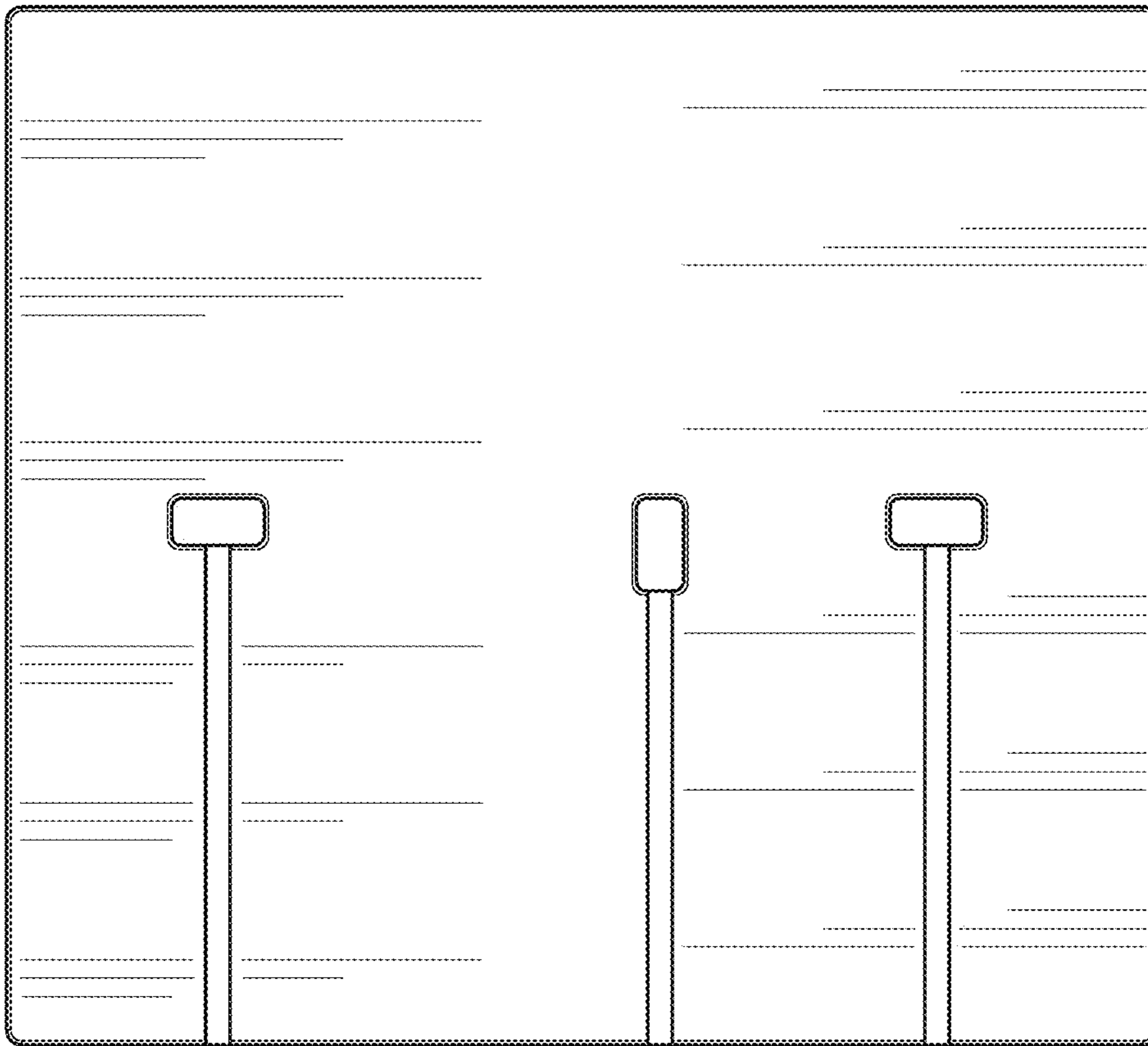


Fig. 6

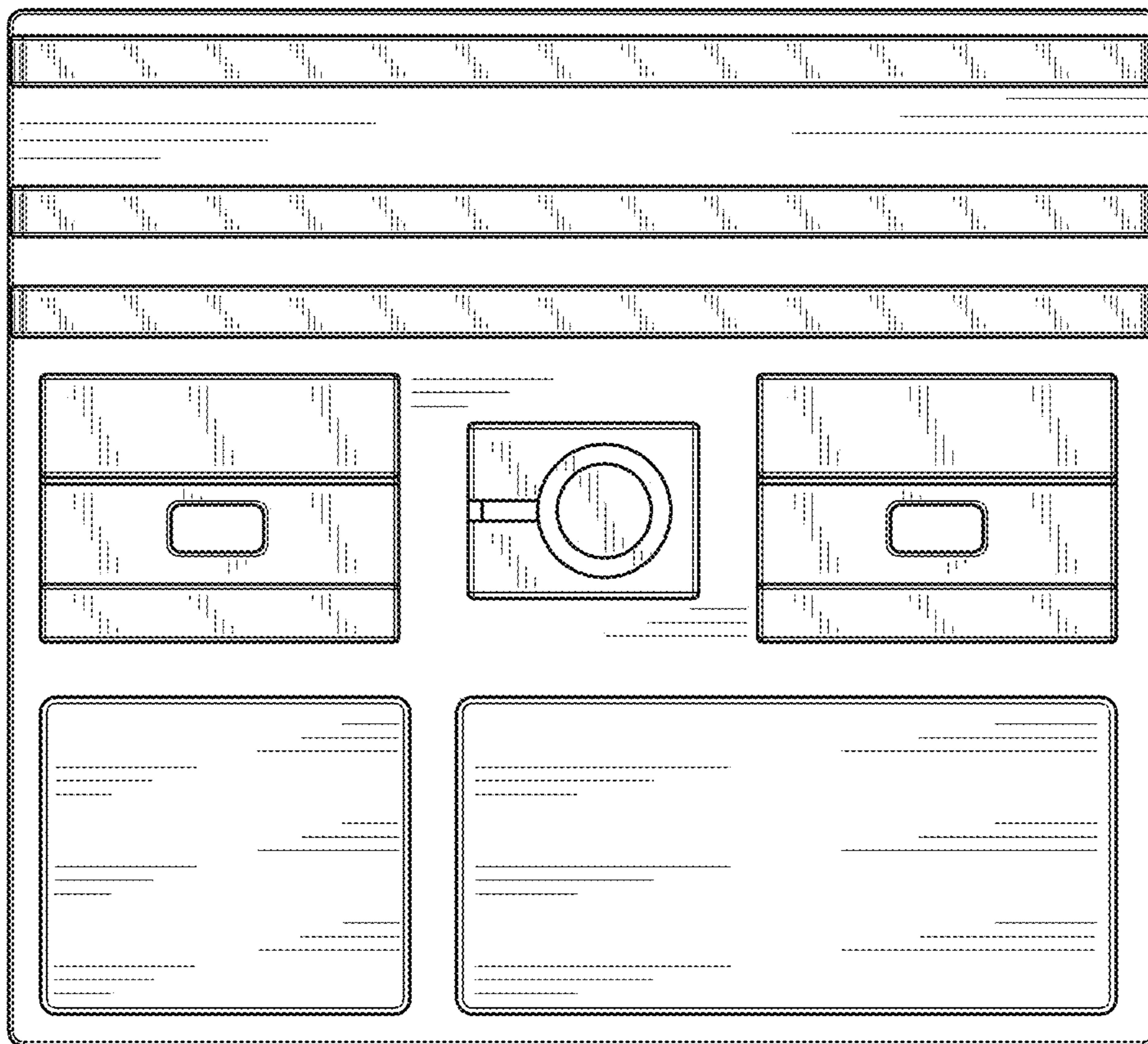


Fig. 7