



US00D946515S

(12) **United States Design Patent**  
**Zhang et al.**

(10) **Patent No.:** **US D946,515 S**  
(45) **Date of Patent:** **\*\* Mar. 22, 2022**

(54) **CHARGER**

- (71) Applicant: **Ugreen Group Limited**, Shenzhen (CN)
- (72) Inventors: **Qingsen Zhang**, Shenzhen (CN);  
**Junling Chen**, Shenzhen (CN);  
**Jianqiang Liang**, Shenzhen (CN)
- (\*\*) Term: **15 Years**
- (21) Appl. No.: **29/746,692**
- (22) Filed: **Aug. 17, 2020**
- (51) **LOC (13) Cl.** ..... **13-02**
- (52) **U.S. Cl.**  
USPC ..... **D13/108**; D14/447
- (58) **Field of Classification Search**  
USPC ..... D13/103, 107, 108, 118, 119; D14/140,  
D14/142, 149, 240, 251, 252, 253, 432,  
D14/433, 434, 439, 447  
CPC ..... H04M 1/06; H02J 7/342; H02J 7/0044;  
H02J 7/0045  
See application file for complete search history.

(56) **References Cited**

**U.S. PATENT DOCUMENTS**

D648,727 S *	11/2011	Van Den Nieuwenhuizen	.....	D14/447
D652,834 S *	1/2012	Jones	.....	D14/434
D656,500 S *	3/2012	Maruyama	.....	D14/447
D690,647 S *	10/2013	Huang	.....	D13/108
9,364,081 B1 *	6/2016	Haymond	.....	F16M 11/38
D771,616 S *	11/2016	Bo	.....	D14/253
D787,441 S *	5/2017	Lee	.....	D13/108
10,042,389 B2 *	8/2018	Hsieh	.....	G06F 1/1628
D919,564 S *	5/2021	Ehara	.....	D13/108
D925,446 S *	7/2021	Segnit	.....	D13/108
D929,393 S *	8/2021	Chen	.....	D14/253
2019/0273350 A1 *	9/2019	Okazaki	.....	H01R 33/94
2020/0374380 A1 *	11/2020	Wang	.....	H04M 1/04

**OTHER PUBLICATIONS**

“Nintendo Switch Adjustable Charging Stand”. Found online Sep. 8, 2021 at amazon.com. Reference dated May 10, 2018. Retrieved from [https://www.amazon.com/Nintendo-Switch-Adjustable-Charging-Stand/dp/B07D12JGBB/ref=pd\\_sbs\\_6/133-2581771-1988754?th=1](https://www.amazon.com/Nintendo-Switch-Adjustable-Charging-Stand/dp/B07D12JGBB/ref=pd_sbs_6/133-2581771-1988754?th=1). (Year: 2018).\*

“DOBE Charging Stand”. Found online Oct. 20, 2021 at fasttech.com. Reference dated Jan. 28, 2019. Retrieved from <https://www.fasttech.com/product/9688905-dobe-charging-stand-for-nintendo-switch-console>. (Year: 2019).\*

“UGREEN Charging Dock”. Found online Sep. 8, 2021 at amazon.com. Reference dated Nov. 19, 2020. Retrieved from <https://www.amazon.com/UGREEN-Charging-Compatible-Nintendo-Adjustable/dp/B08D779QKF>. (Year: 2020).\*

\* cited by examiner

*Primary Examiner* — Kendra Leslie Hamilton  
*Assistant Examiner* — Amanda Christensen

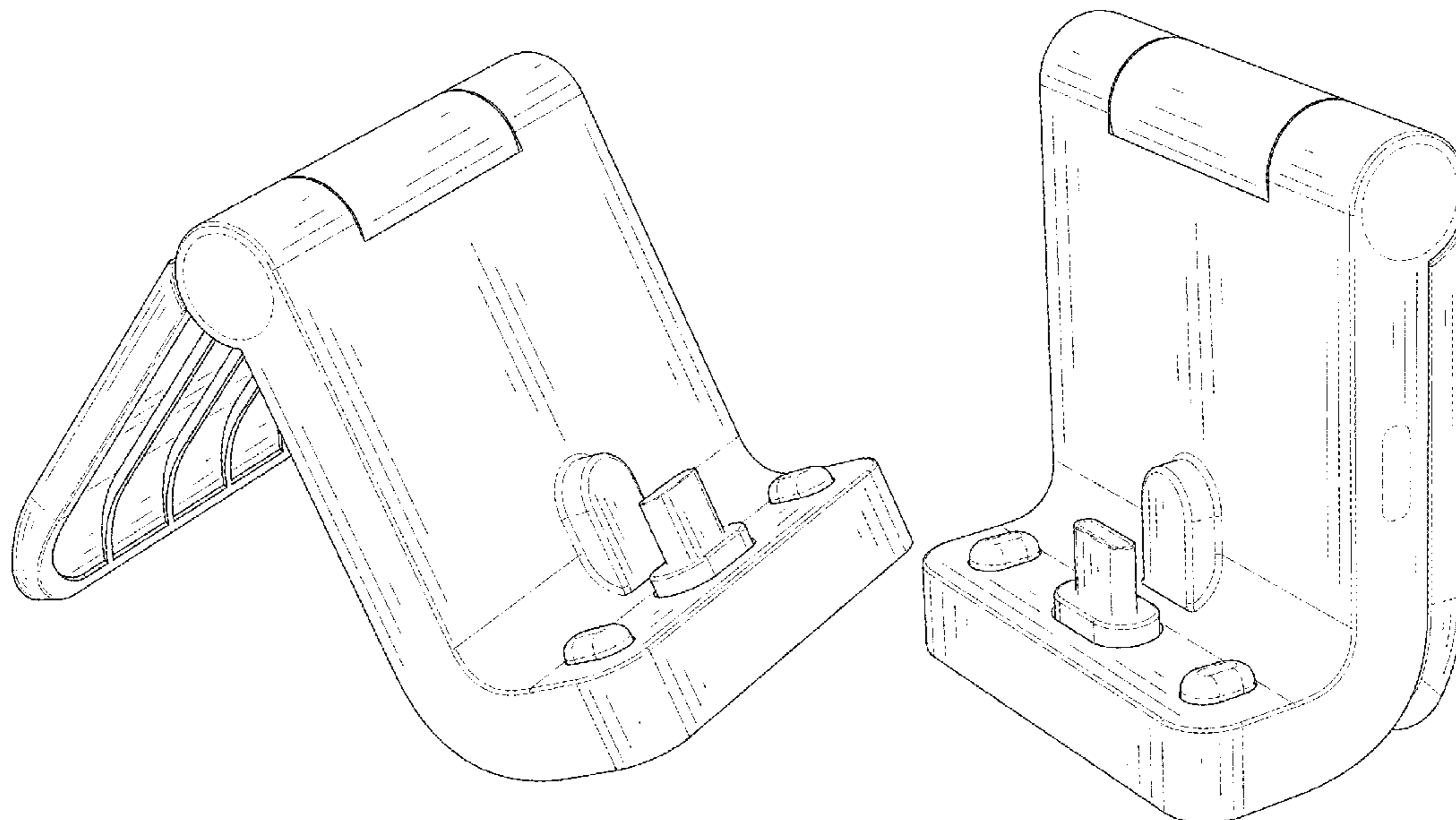
(57) **CLAIM**

The ornamental design for a charger, as shown and described.

**DESCRIPTION**

FIG. 1 is a top, front, left side perspective view of a charger, showing our new design in an open configuration;  
FIG. 2 is a top, front, right side perspective view of the charger, shown in a closed configuration;  
FIG. 3 is a front view thereof;  
FIG. 4 is a back view thereof;  
FIG. 5 is a left side view thereof;  
FIG. 6 is a right side view thereof;  
FIG. 7 is a top view thereof; and,  
FIG. 8 is a bottom view thereof.  
The broken lines in the drawings depict portions of the charger that form no part of the claimed design.

**1 Claim, 8 Drawing Sheets**



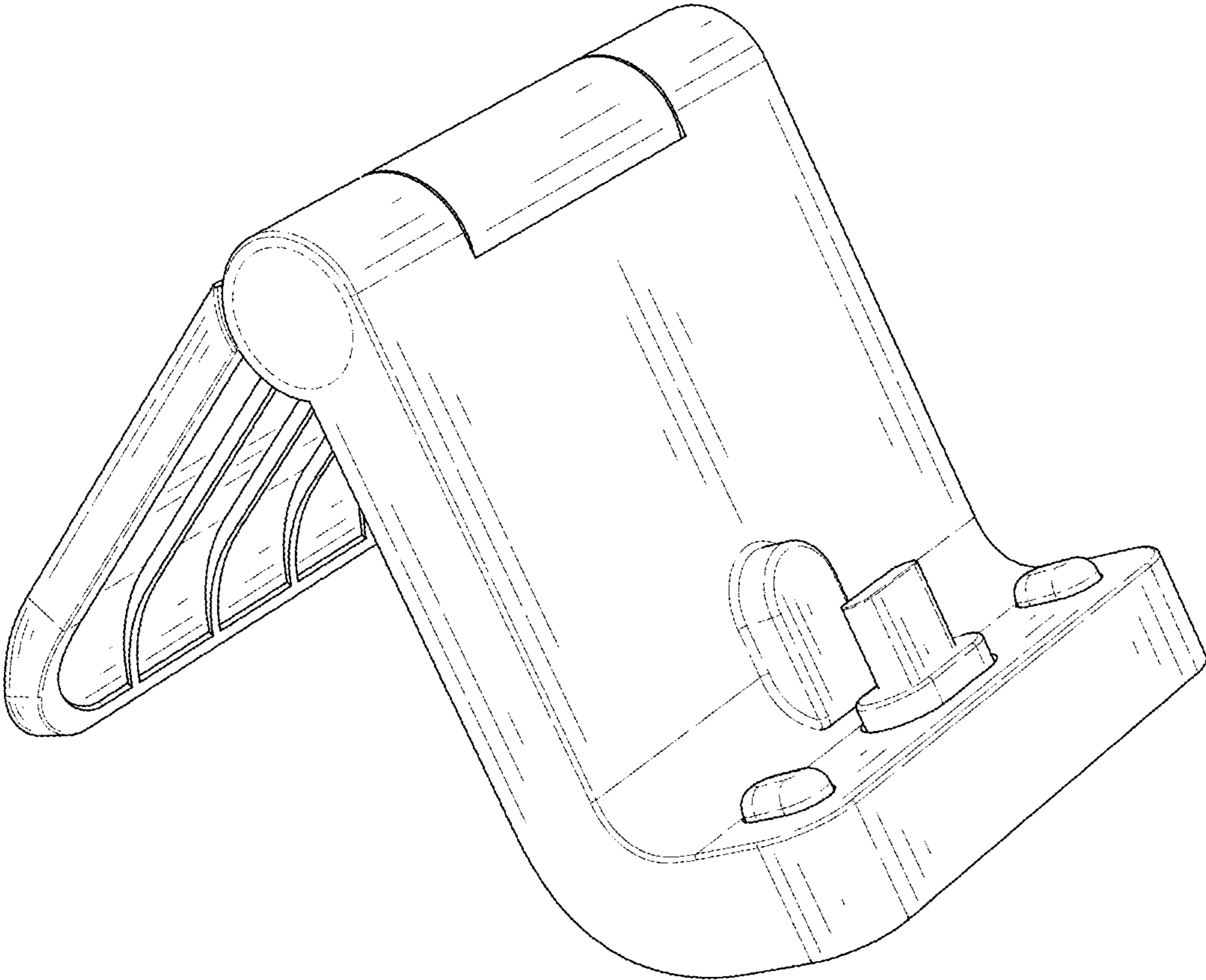


FIG. 1

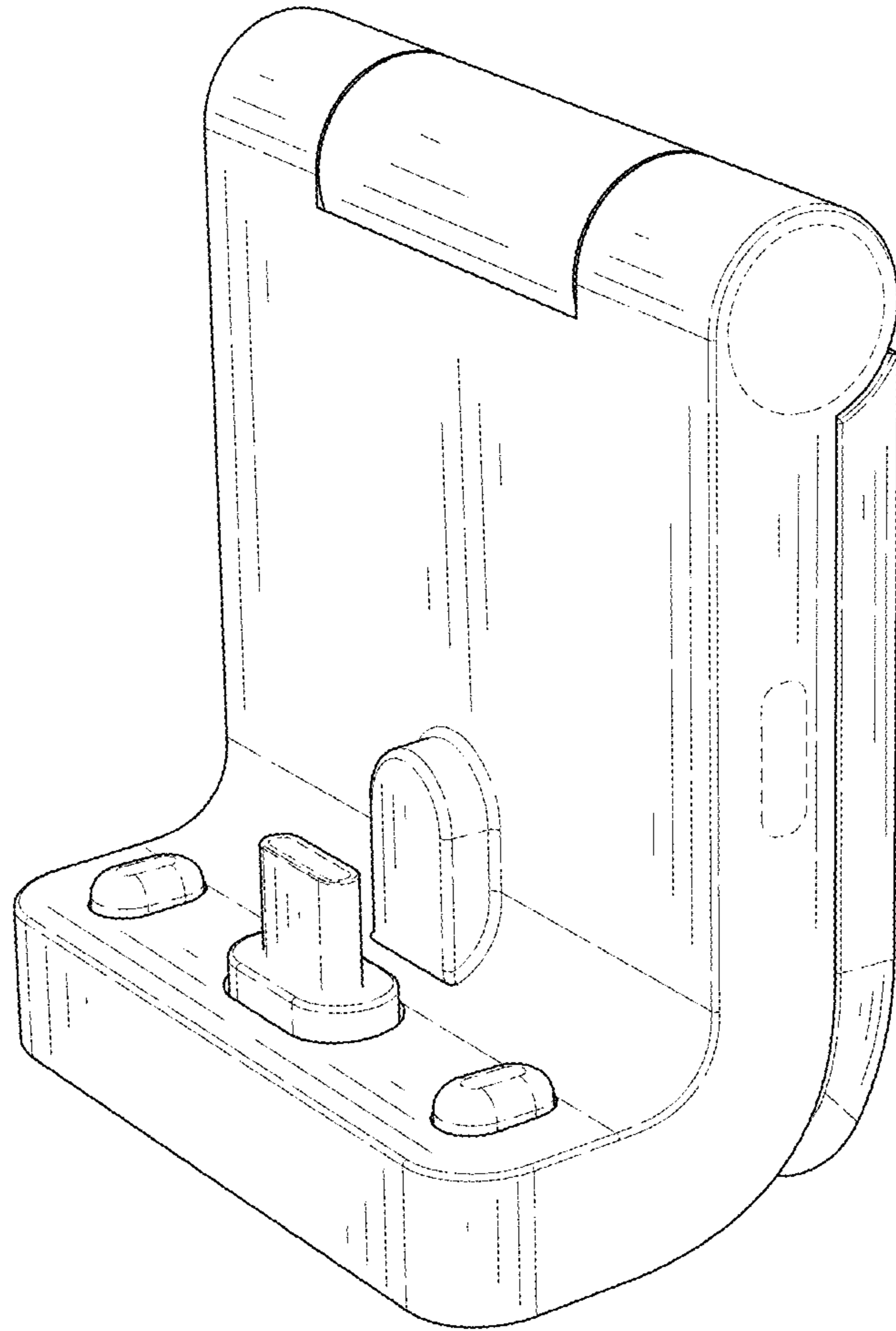


FIG. 2

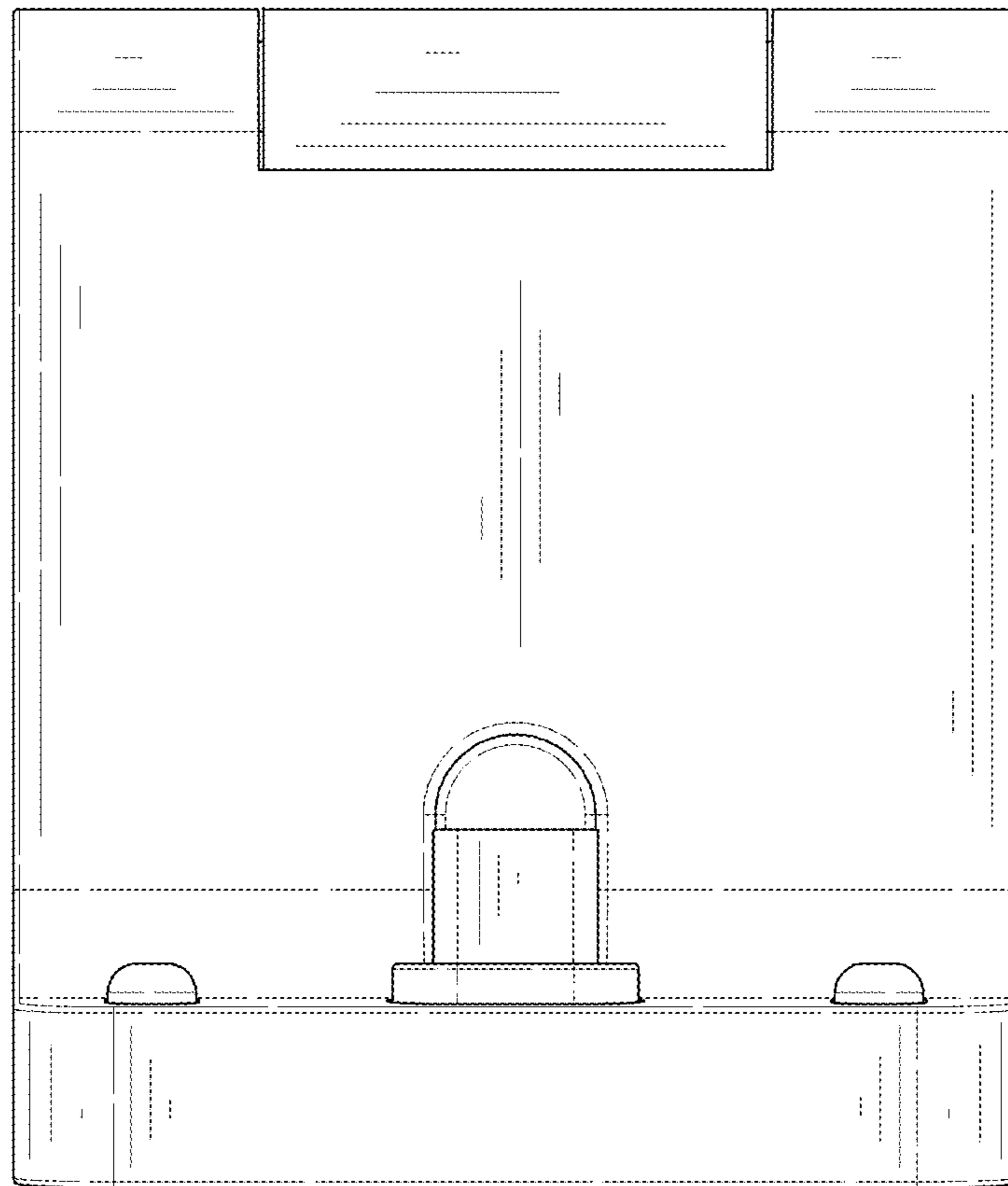


FIG. 3

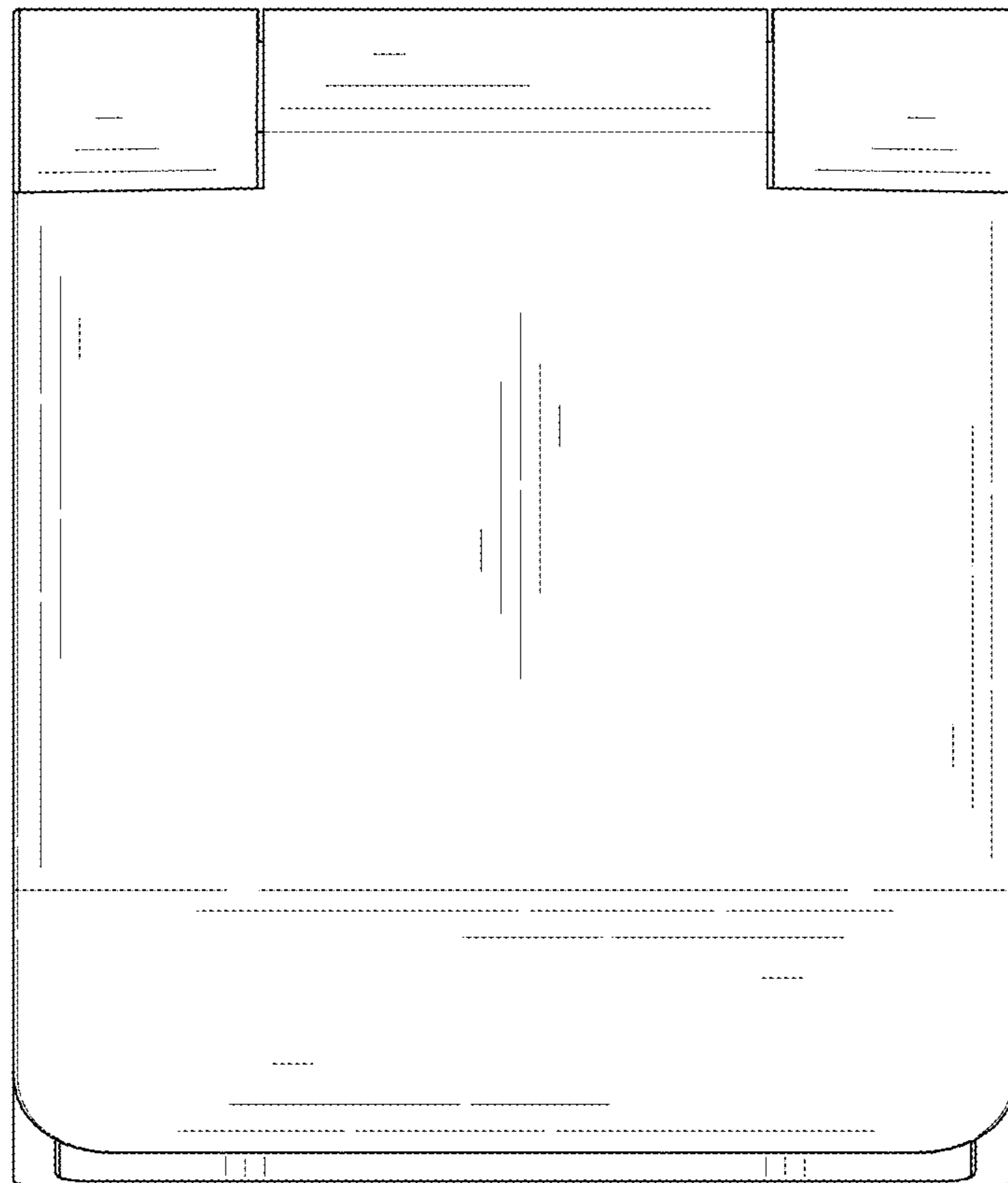


FIG. 4

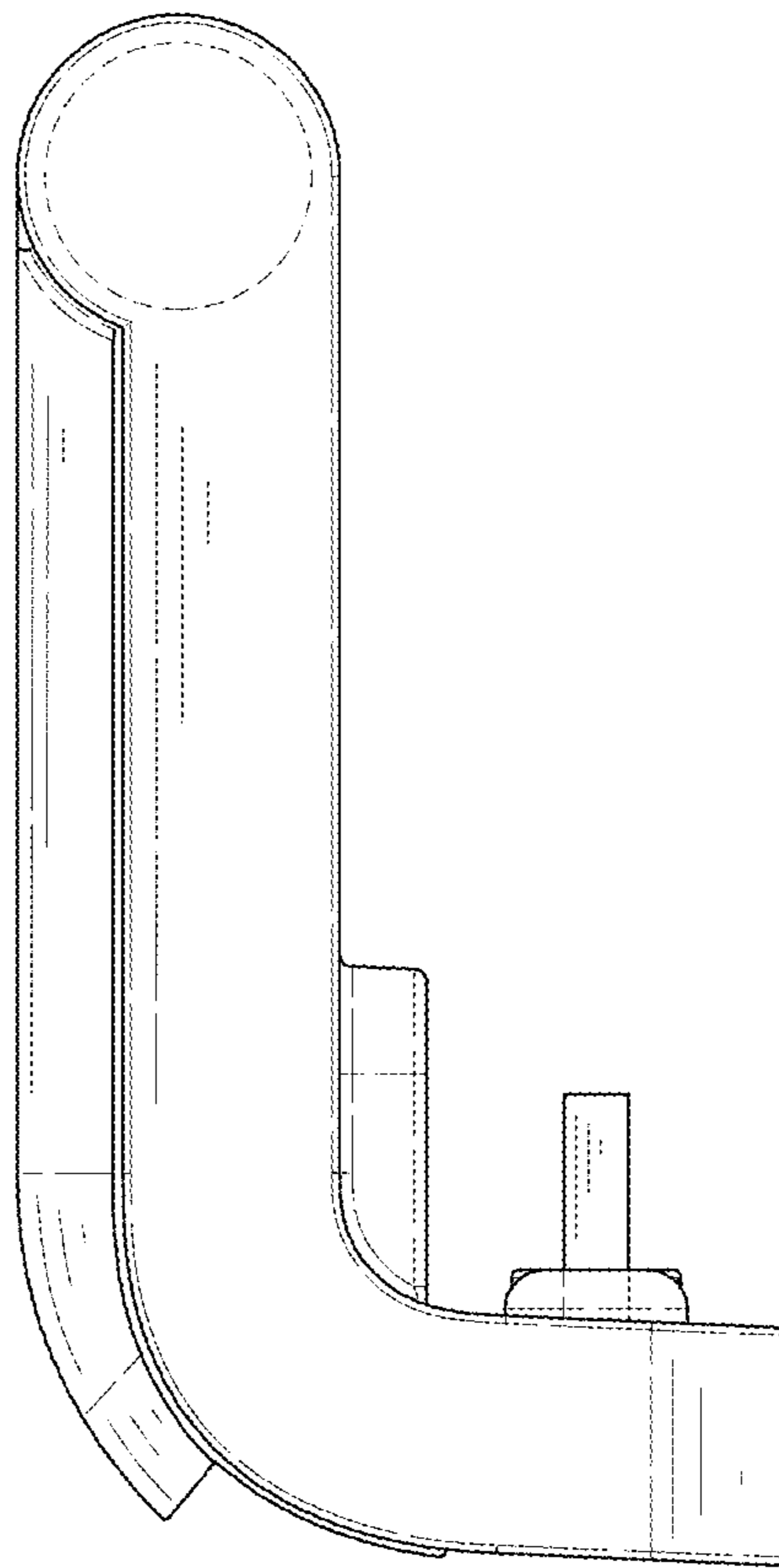


FIG. 5

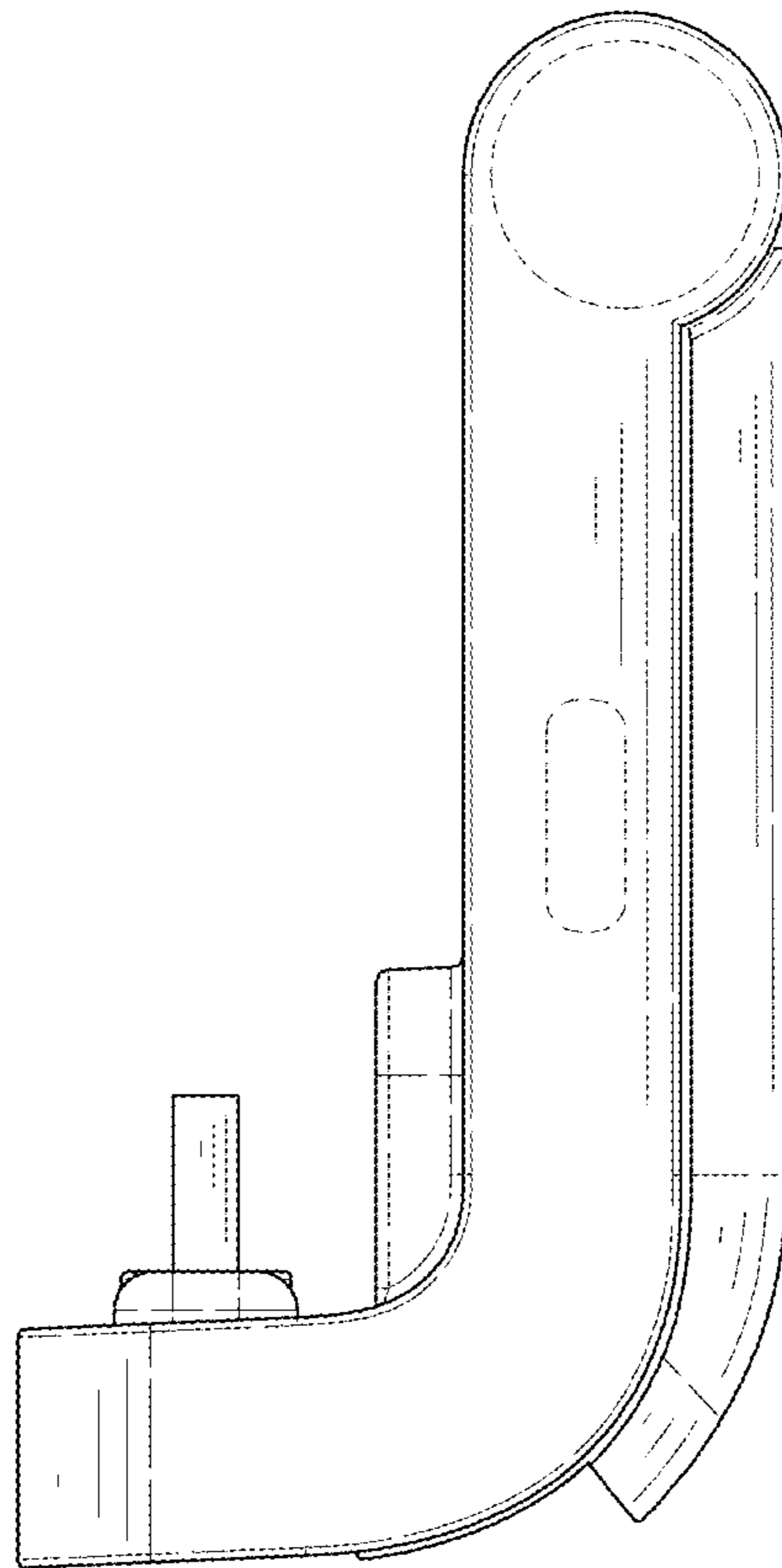


FIG. 6

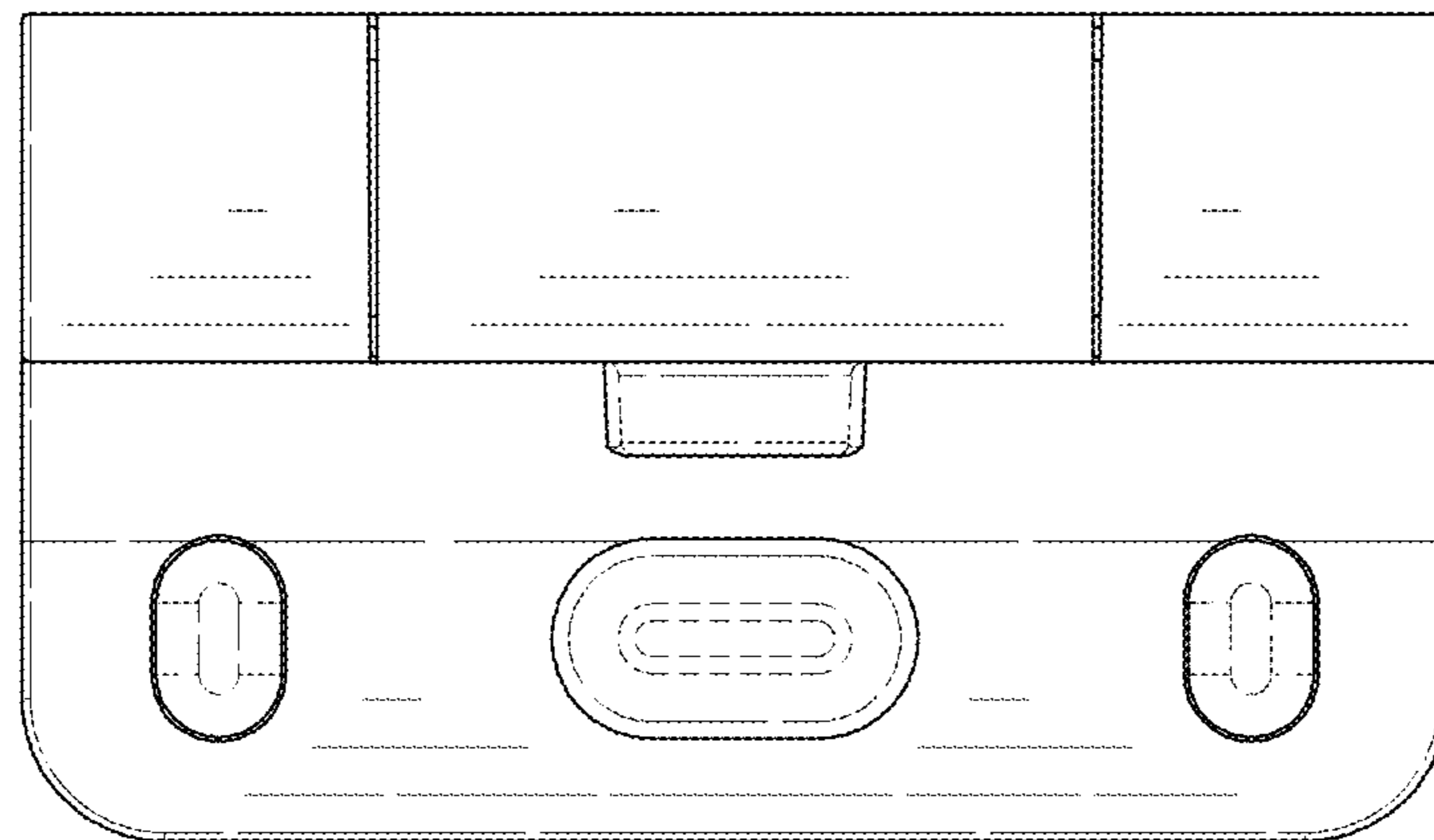


FIG. 7



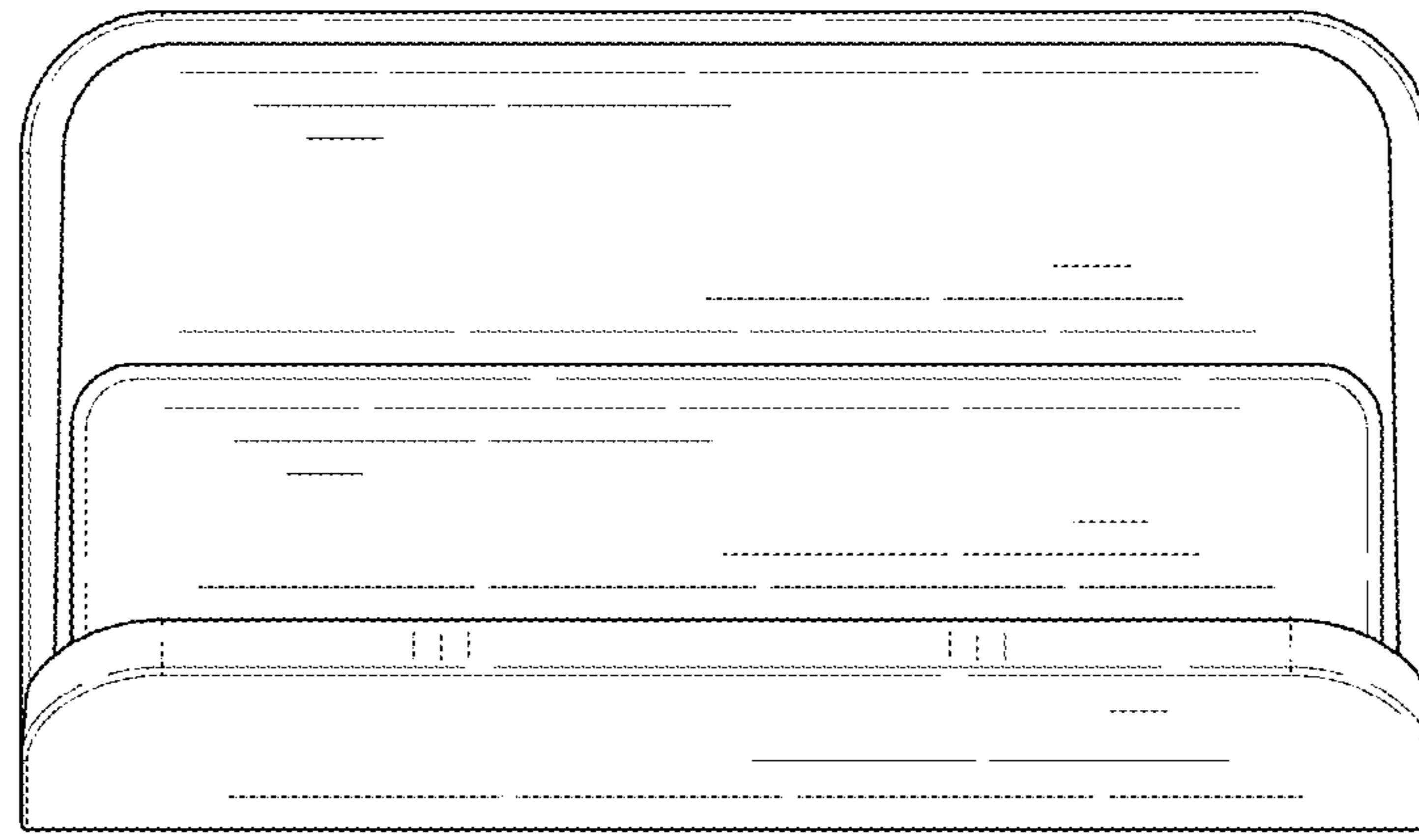


FIG. 8