



US00D946513S

(12) **United States Design Patent**
Lin et al.

(10) **Patent No.:** **US D946,513 S**
(45) **Date of Patent:** **** Mar. 22, 2022**

(54) **COMBINED EARPHONE AND EARPHONE CHARGING BOX**

D821,970 S * 7/2018 Loermann D13/107
D823,246 S * 7/2018 Lin D13/108
D826,152 S * 8/2018 Christiansen D13/108

(Continued)

(71) Applicants: **Fan Lin**, Shenzhen (CN); **Gang Chen**, Fuzhou (CN)

Primary Examiner — Christy Nemeth

(72) Inventors: **Fan Lin**, Shenzhen (CN); **Gang Chen**, Fuzhou (CN)

(57) **CLAIM**

The ornamental design for a combined earphone and earphone charging box, as shown and described.

(73) Assignee: **Fan Lin**, Shenzhen (CN)

DESCRIPTION

(**) Term: **15 Years**

(21) Appl. No.: **29/728,164**

(22) Filed: **Mar. 17, 2020**

(51) **LOC (13) Cl.** **13-02**

(52) **U.S. Cl.**
USPC **D13/108**; D14/223

(58) **Field of Classification Search**
USPC D13/107–110, 118, 119, 184, 199;
D3/273, 294; D14/223

CPC .. Y02E 60/12; H01R 13/6675; H01M 2/1022;
H01M 2/1055; H01M 10/44; H01M 10/46;
H01M 10/425; H02J 2001/008; H02J 3/32;
H02J 3/008; H02J 7/0027; H02J 7/0013;
H02J 7/0054; H02J 7/00; B60R 16/03

See application file for complete search history.

FIG. 1 is a front perspective view of a combined earphone and earphone charging box of our new design, shown with the earphone charging box in an open position;
FIG. 2 is a rear perspective view thereof;
FIG. 3 is a front, top perspective view of an earphone of the combined earphone and earphone charging box, shown separately to show aspects of the design not visible when combined;
FIG. 4 is a front, bottom perspective view thereof;
FIG. 5 is a front elevation view thereof;
FIG. 6 is a rear elevation view thereof;
FIG. 7 is a left side elevation view thereof;
FIG. 8 is a right side elevation view thereof;
FIG. 9 is a top plan view thereof;
FIG. 10 is a bottom plan view thereof;
FIG. 11 is a front, top perspective view of the earphone charging box, shown in a closed position;
FIG. 12 is a rear, top perspective view thereof;
FIG. 13 is a front elevation view thereof;
FIG. 14 is a rear elevation view thereof;
FIG. 15 is a left side elevation view thereof;
FIG. 16 is a right side elevation view thereof;
FIG. 17 is a top plan view thereof; and,
FIG. 18 is a bottom plan view thereof.

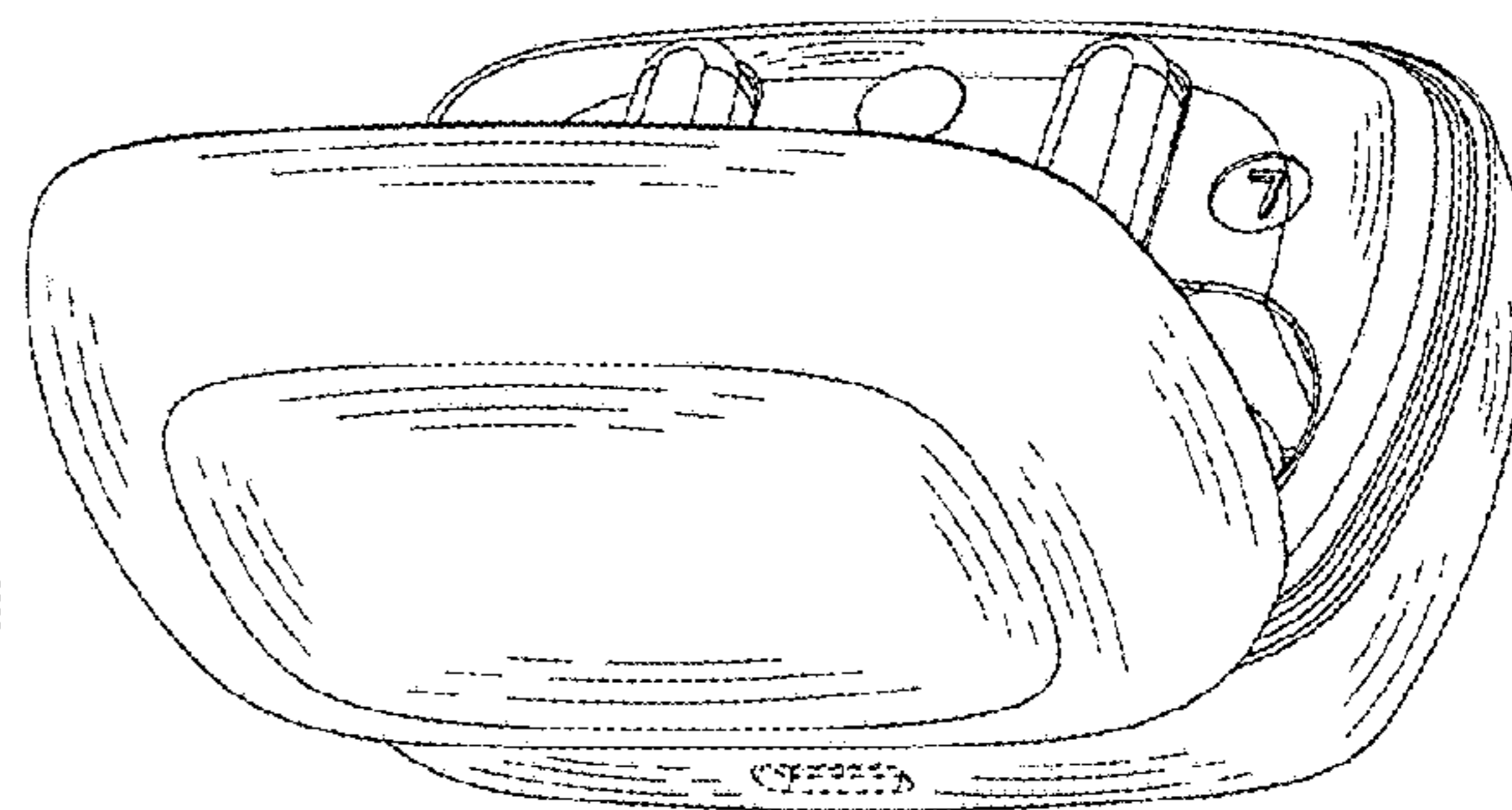
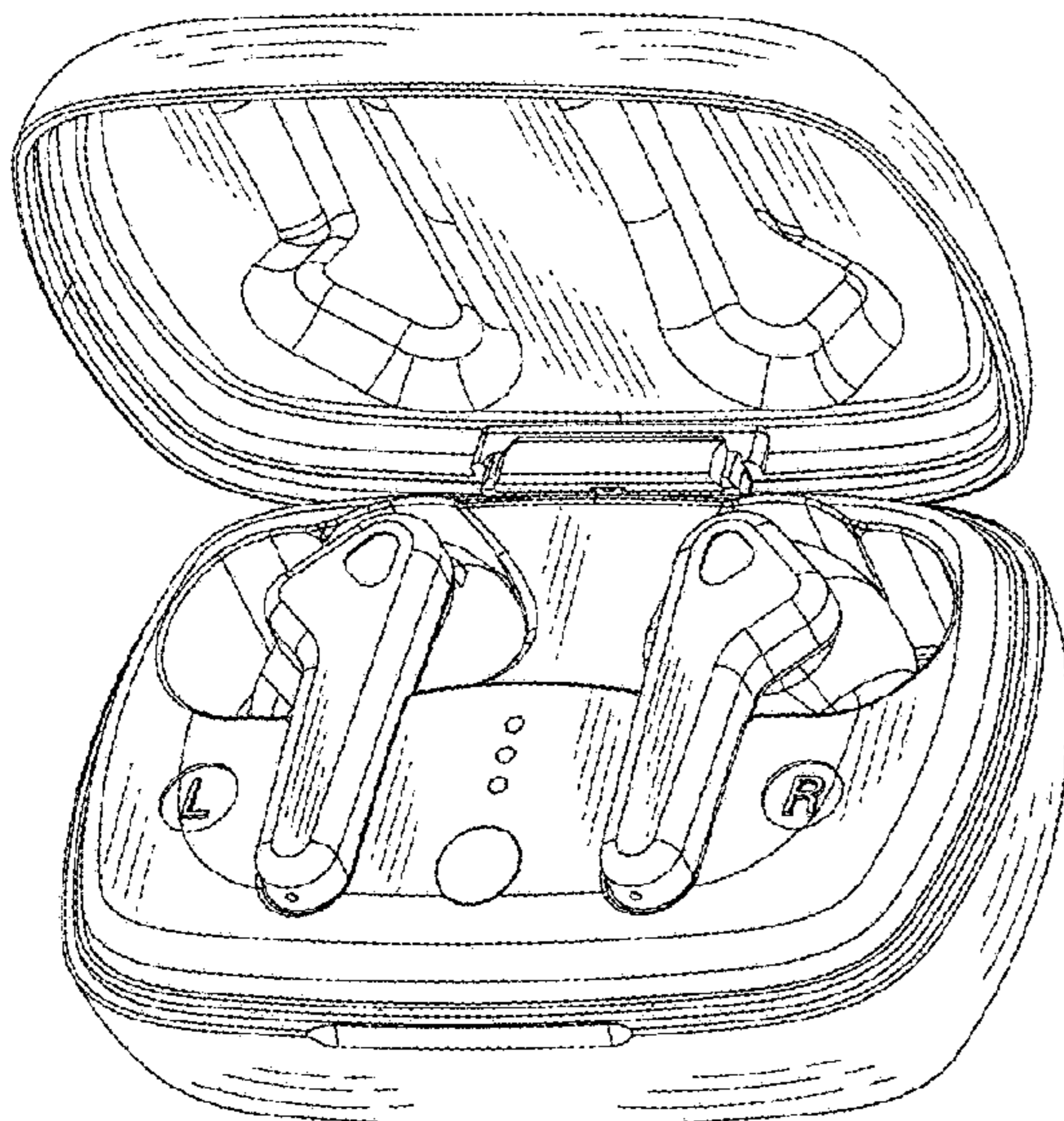
The broken lines depict portions of the combined earphone and earphone charging box that form no part of the claimed design.

1 Claim, 18 Drawing Sheets

(56) **References Cited**

U.S. PATENT DOCUMENTS

D553,077 S * 10/2007 Kim D13/108
D586,557 S * 2/2009 Jalet D3/294
D656,092 S * 3/2012 Nomi D13/107
D656,093 S * 3/2012 Nomi D13/107
D740,255 S * 10/2015 Samrelius D14/206
D772,572 S * 11/2016 Palmborg D3/294
D806,388 S * 1/2018 Akana D3/294
D818,268 S * 5/2018 Akana D3/294
D820,782 S * 6/2018 Wang D13/107



(56)

References Cited

U.S. PATENT DOCUMENTS

D829,213 S * 9/2018 Szeremeta D14/432
 D838,480 S * 1/2019 Son D3/294
 D841,580 S * 2/2019 Bao D13/108
 D841,581 S * 2/2019 Bonahoom D13/108
 D843,937 S * 3/2019 Xiao D13/108
 D846,264 S * 4/2019 Wu D3/201
 D849,401 S * 5/2019 Akana D3/274
 D850,365 S * 6/2019 Loermann D13/107
 D851,035 S * 6/2019 Hong D13/108
 D864,110 S * 10/2019 Yoshimura D13/108
 D864,165 S * 10/2019 Roberts D14/223
 D865,663 S * 11/2019 Yao D13/108
 D870,451 S * 12/2019 Birger D3/201
 D873,217 S * 1/2020 Zhang D13/108
 D881,572 S * 4/2020 Wang D3/294
 D881,810 S * 4/2020 Zhang D13/108
 D882,262 S * 4/2020 Zhang D3/294
 D883,960 S * 5/2020 Du D14/223
 D884,614 S * 5/2020 Natsume D13/108
 D886,453 S * 6/2020 Wright D3/294
 D886,454 S * 6/2020 Williamson D3/294
 D886,455 S * 6/2020 Williamson D3/294
 D887,351 S * 6/2020 Bonahoom D13/108
 D888,408 S * 6/2020 Lee D3/201
 D888,662 S * 6/2020 Cramer D13/108
 D888,664 S * 6/2020 Ma D13/108
 D890,091 S * 7/2020 Cramer D13/108
 D890,138 S * 7/2020 Peng D14/223
 D890,696 S * 7/2020 Sweet D13/108
 D890,725 S * 7/2020 Liu D14/223
 D892,045 S * 8/2020 Zhang D13/108
 D892,497 S * 8/2020 Wright D3/294
 D893,184 S * 8/2020 Liu D3/294
 D893,185 S * 8/2020 Liu D3/294
 D894,123 S * 8/2020 Xiong D13/108
 D895,582 S * 9/2020 Wu D14/223
 D897,678 S * 10/2020 Koh D3/294
 D897,997 S * 10/2020 Zhang D14/223
 D898,664 S * 10/2020 Bhutani D13/108
 D901,177 S * 11/2020 Wei D3/294
 D901,377 S * 11/2020 Zhou D13/108
 D901,382 S * 11/2020 Zhang D13/108
 D902,150 S * 11/2020 Sun D13/108

D902,588 S * 11/2020 Zhang D3/294
 D902,589 S * 11/2020 Li D3/295
 D902,856 S * 11/2020 Klein D13/108
 D904,025 S * 12/2020 Ma D3/295
 D904,295 S * 12/2020 Cai D13/108
 D904,761 S * 12/2020 Koneru D3/274
 D904,762 S * 12/2020 Koneru D3/274
 D904,763 S * 12/2020 Koneru D3/274
 D904,977 S * 12/2020 Deng D13/108
 D905,019 S * 12/2020 Liu D14/223
 D905,430 S * 12/2020 Kwak D3/273
 D906,238 S * 12/2020 Zhang D13/108
 D906,297 S * 12/2020 Akana D14/223
 D906,299 S * 12/2020 Luo D14/223
 D907,009 S * 1/2021 Akana D14/223
 D907,011 S * 1/2021 Liu D14/223
 D907,363 S * 1/2021 Distefano D3/294
 D907,607 S * 1/2021 Deng D14/223
 D908,084 S * 1/2021 He D13/108
 D908,617 S * 1/2021 Briggs D13/108
 D908,667 S * 1/2021 He D14/223
 D910,553 S * 2/2021 Cramer D13/108
 D910,603 S * 2/2021 Li D14/223
 D911,027 S * 2/2021 Liang D3/274
 D911,028 S * 2/2021 Lee D3/294
 D911,274 S * 2/2021 Ding D13/108
 D911,944 S * 3/2021 Gao D13/108
 D911,945 S * 3/2021 Xian D13/108
 D911,958 S * 3/2021 Zeng D13/108
 D912,622 S * 3/2021 Zhou D13/108
 D913,223 S * 3/2021 Li D13/108
 D913,224 S * 3/2021 Kim D13/108
 D913,292 S * 3/2021 Brown D14/440
 D914,647 S * 3/2021 Yang D14/223
 D914,648 S * 3/2021 Zhou D14/223
 D914,652 S * 3/2021 Chen D14/223
 D922,946 S * 6/2021 Chen D13/108
 D924,798 S * 7/2021 Ando D13/108
 D927,417 S * 8/2021 Sretovic D13/108
 D932,472 S * 10/2021 Wang D14/223
 D933,004 S * 10/2021 Li D13/108
 D934,839 S * 11/2021 Zhong D14/223
 2020/0068285 A1 * 2/2020 Dang H04R 1/1016
 2020/0412143 A1 * 12/2020 Chang H04R 1/1025

* cited by examiner

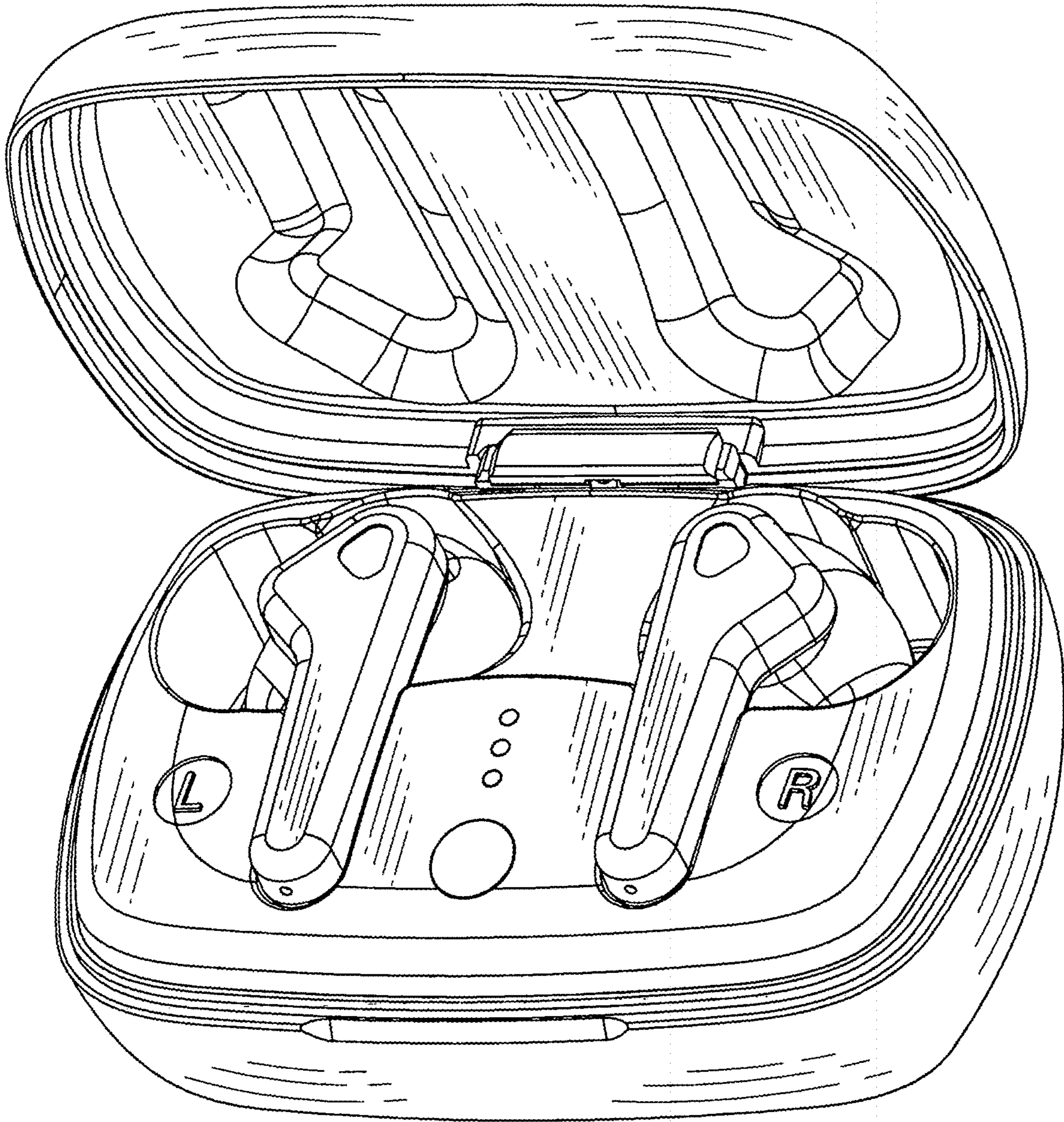


FIG. 1

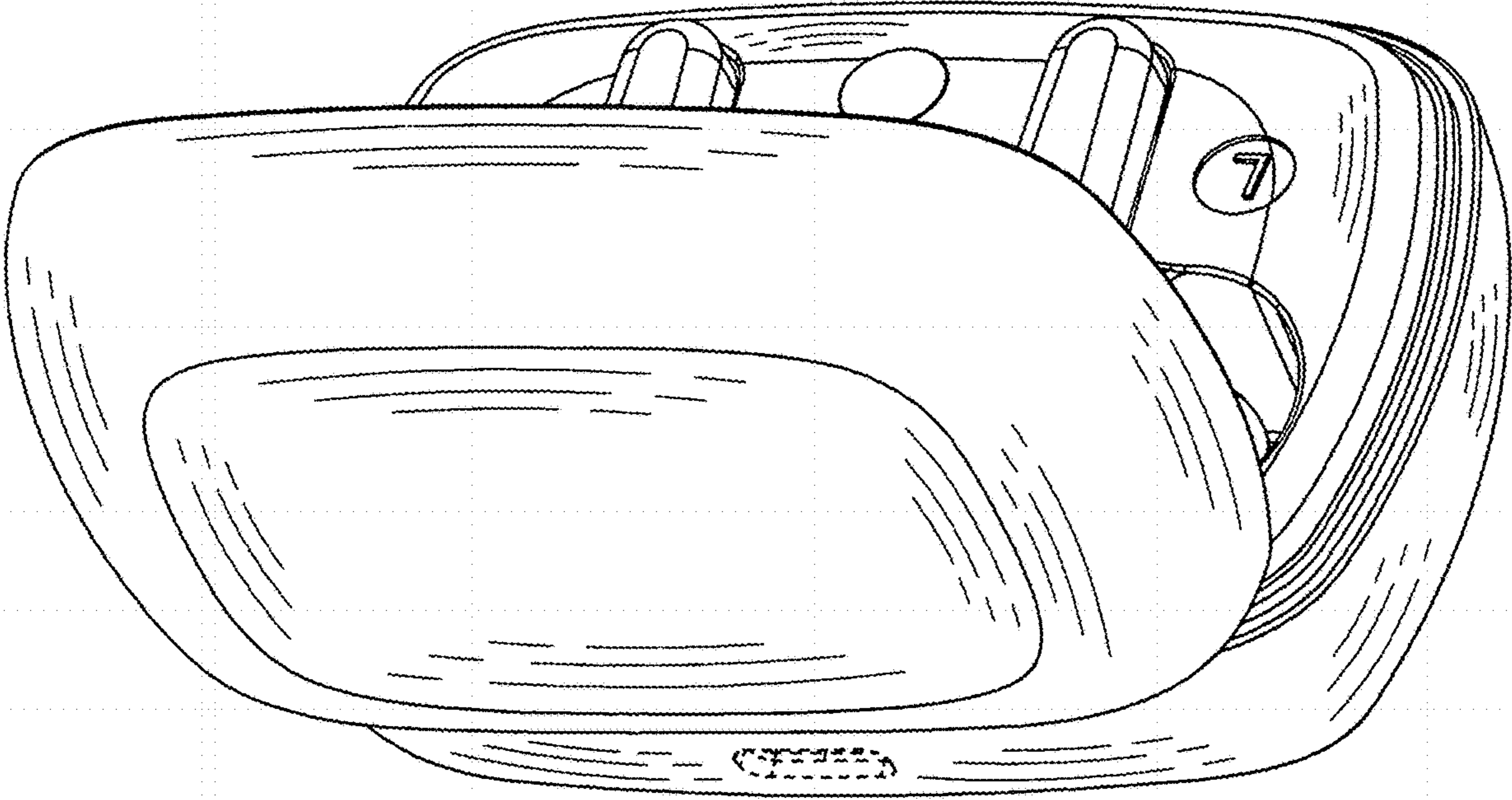


FIG. 2

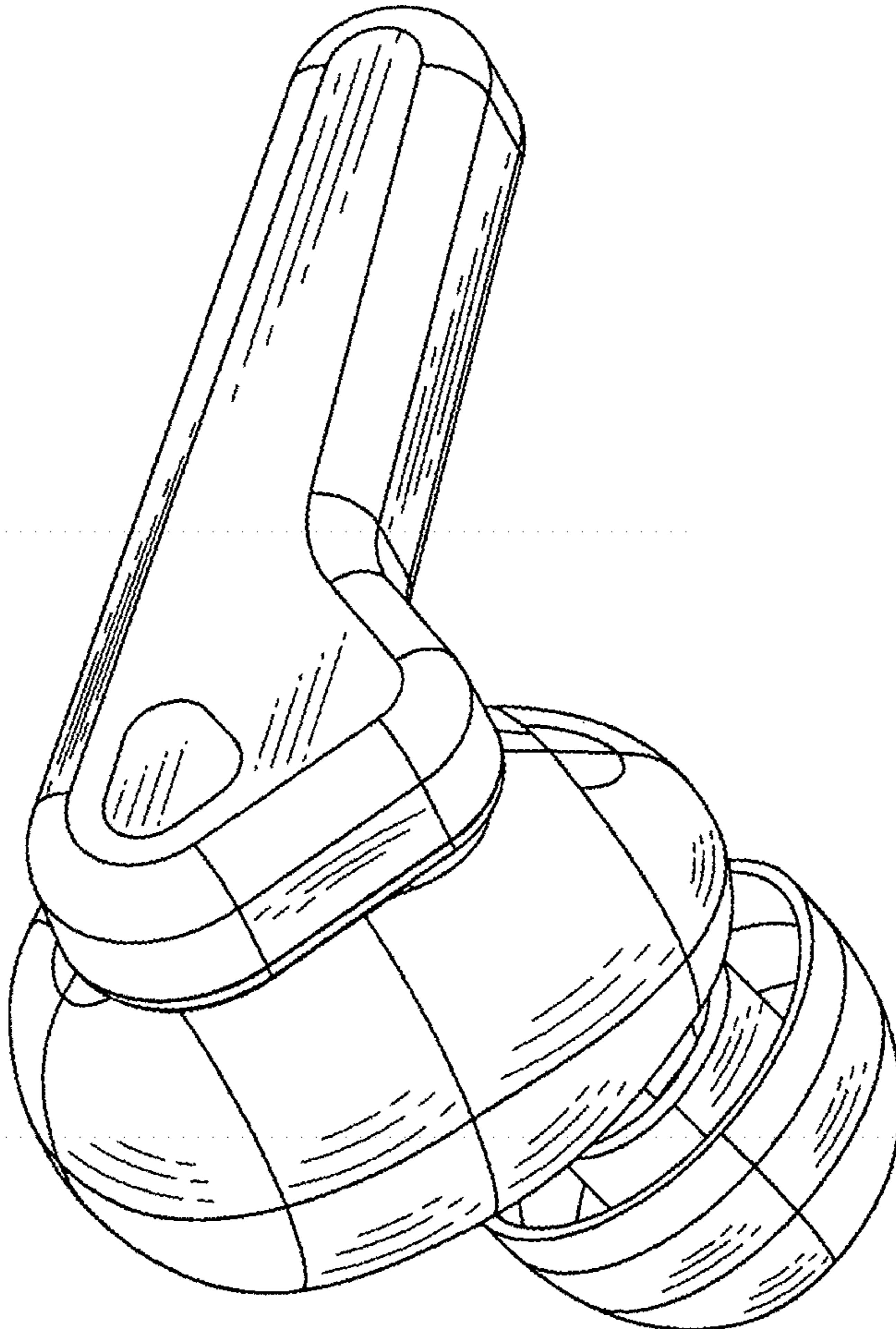


FIG. 3

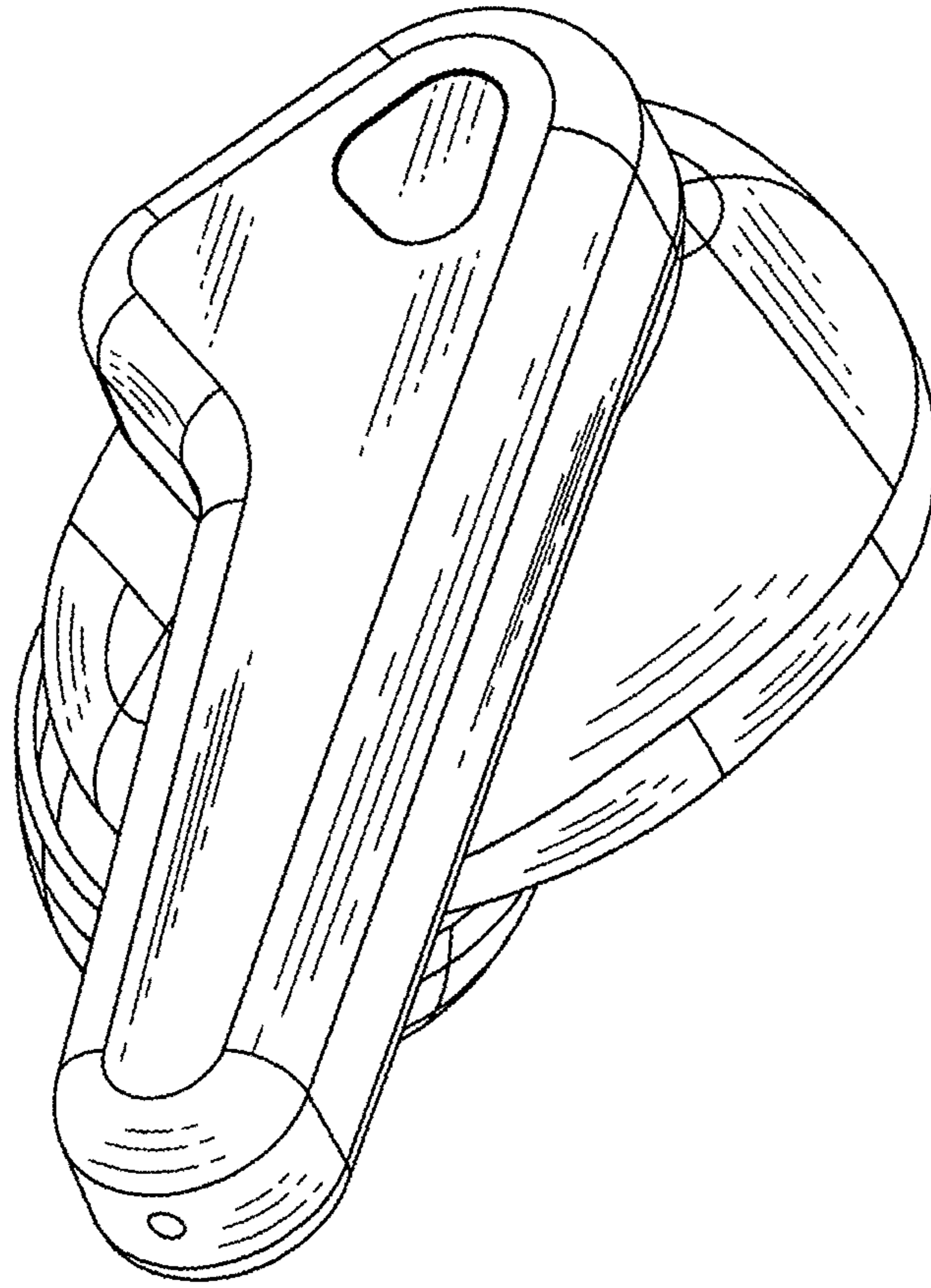


FIG. 4

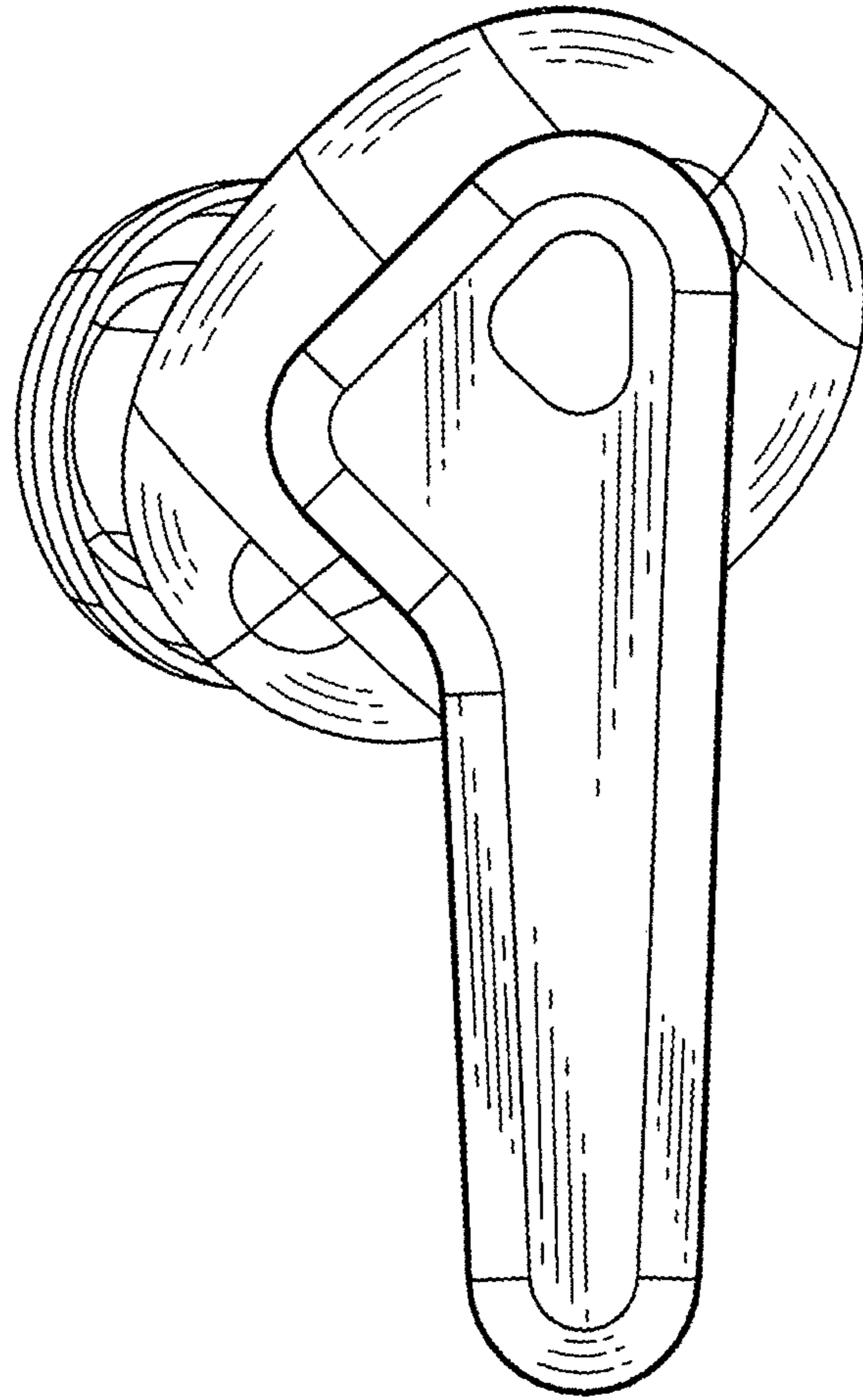


FIG. 5

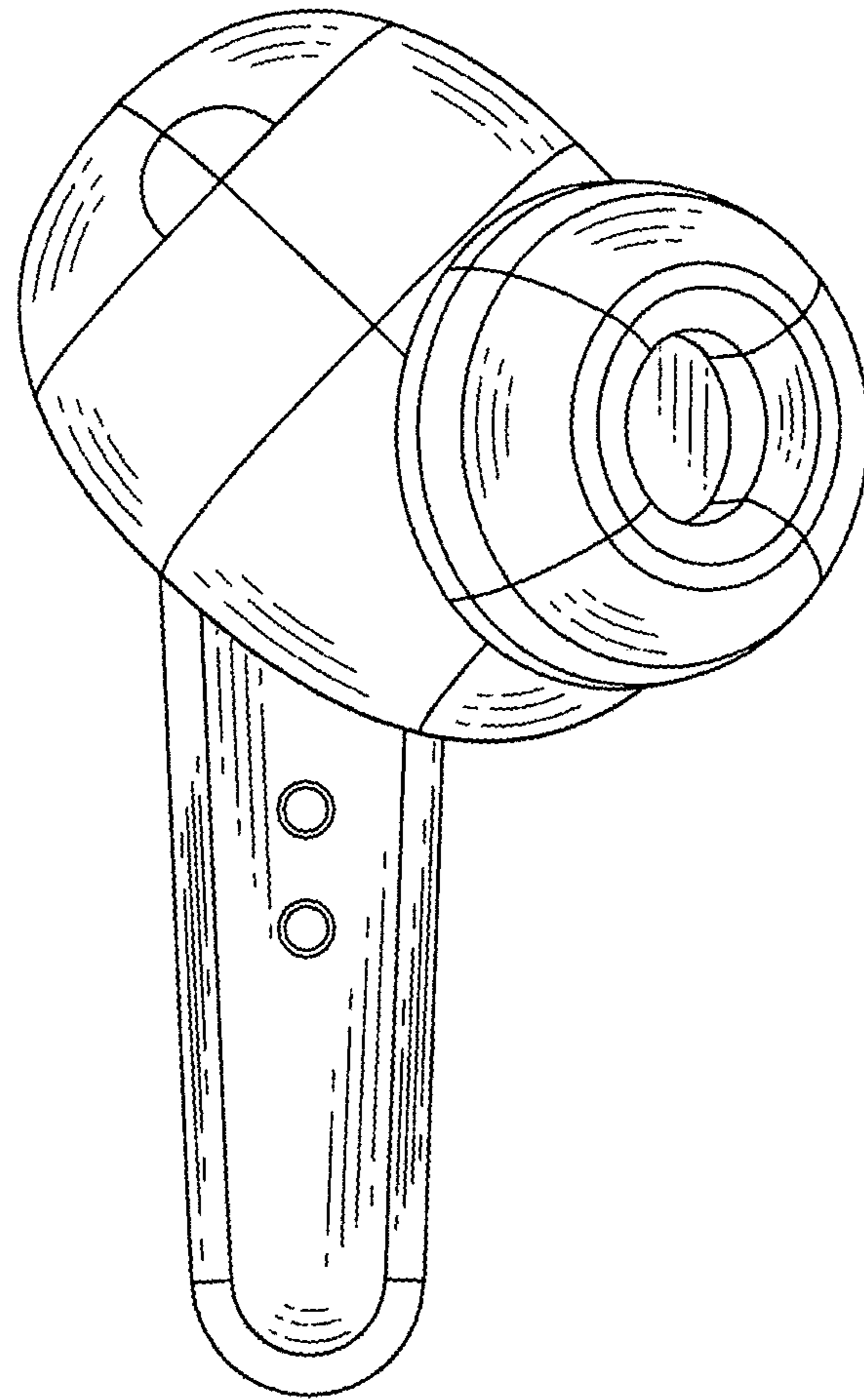


FIG. 6

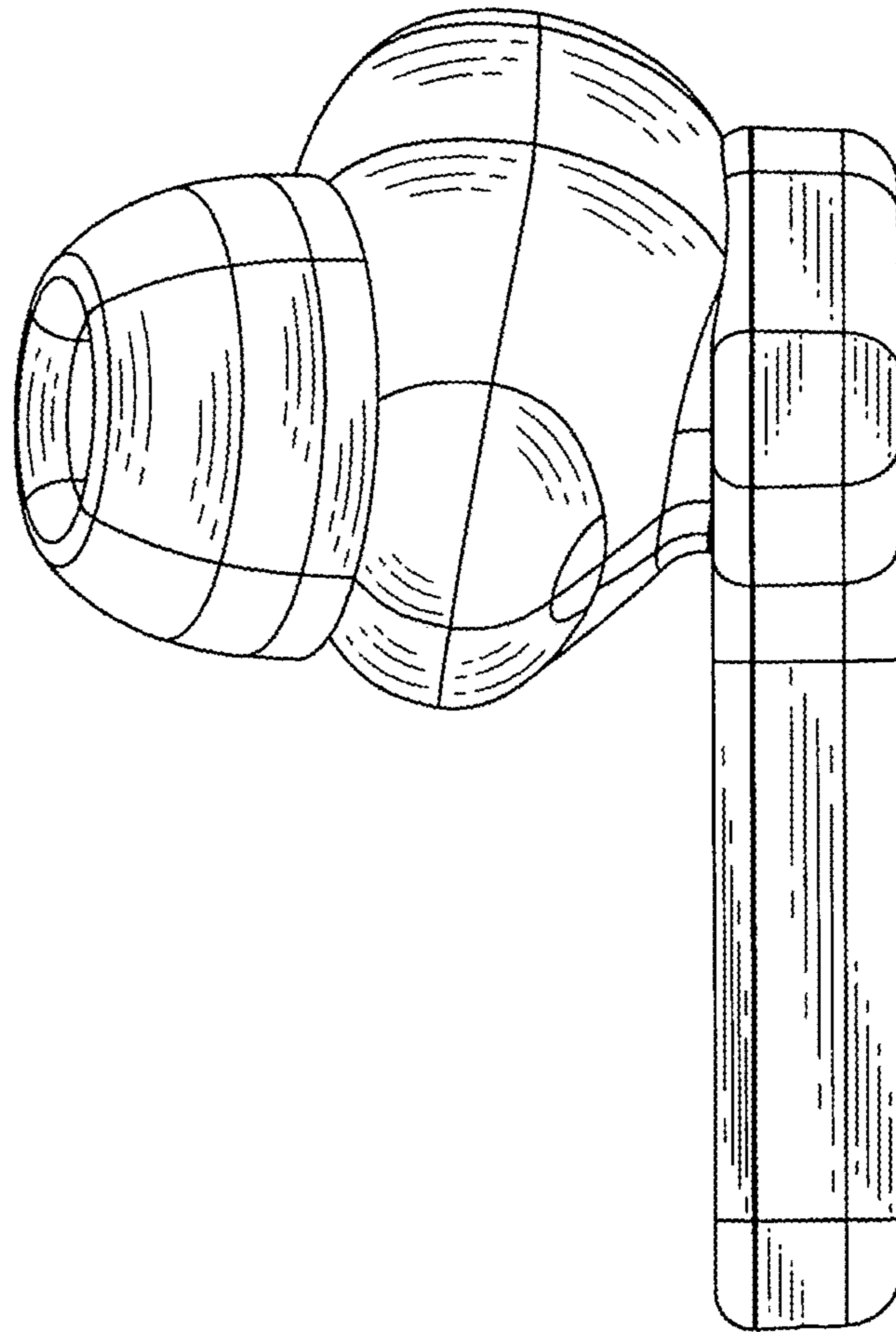


FIG. 7

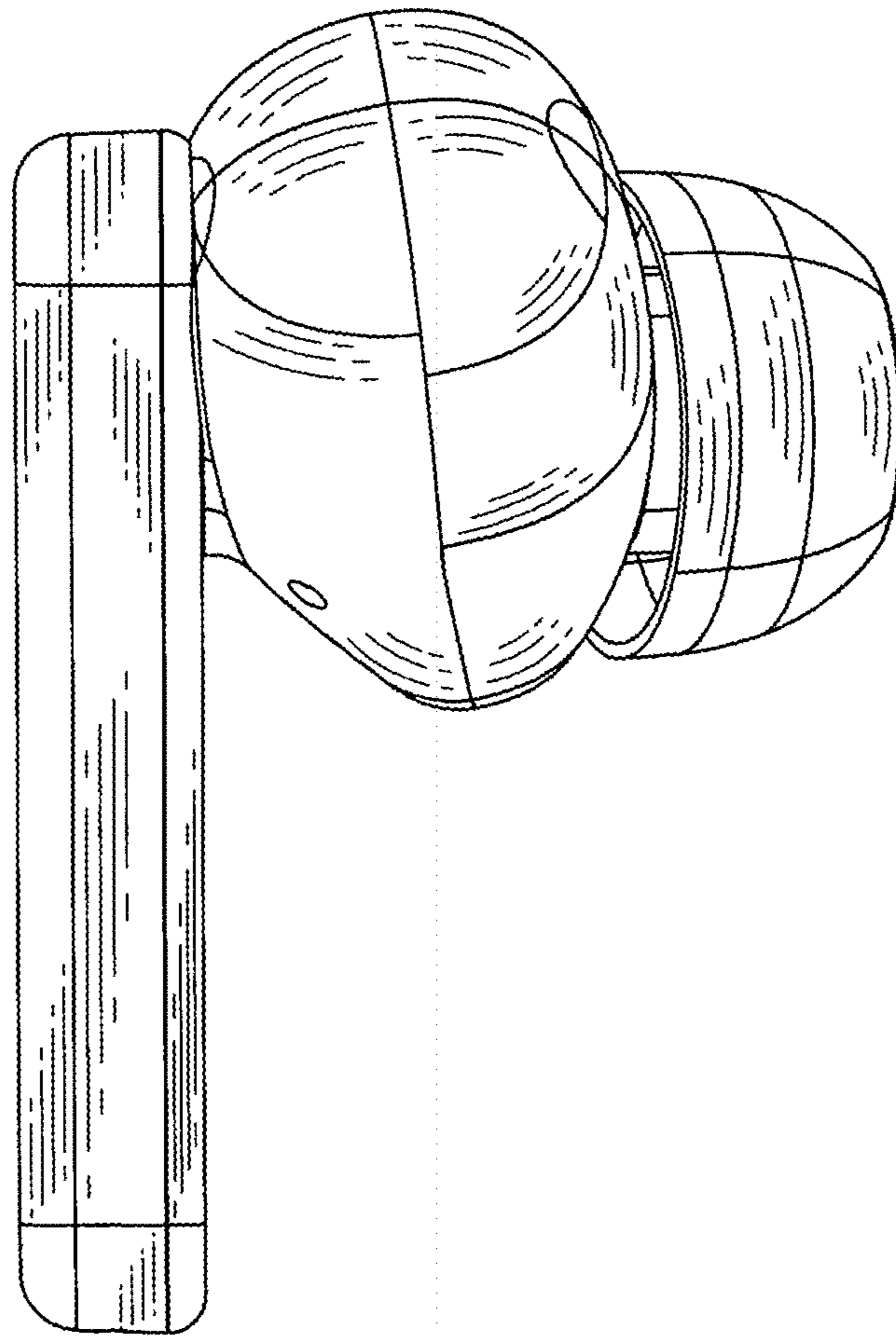


FIG. 8

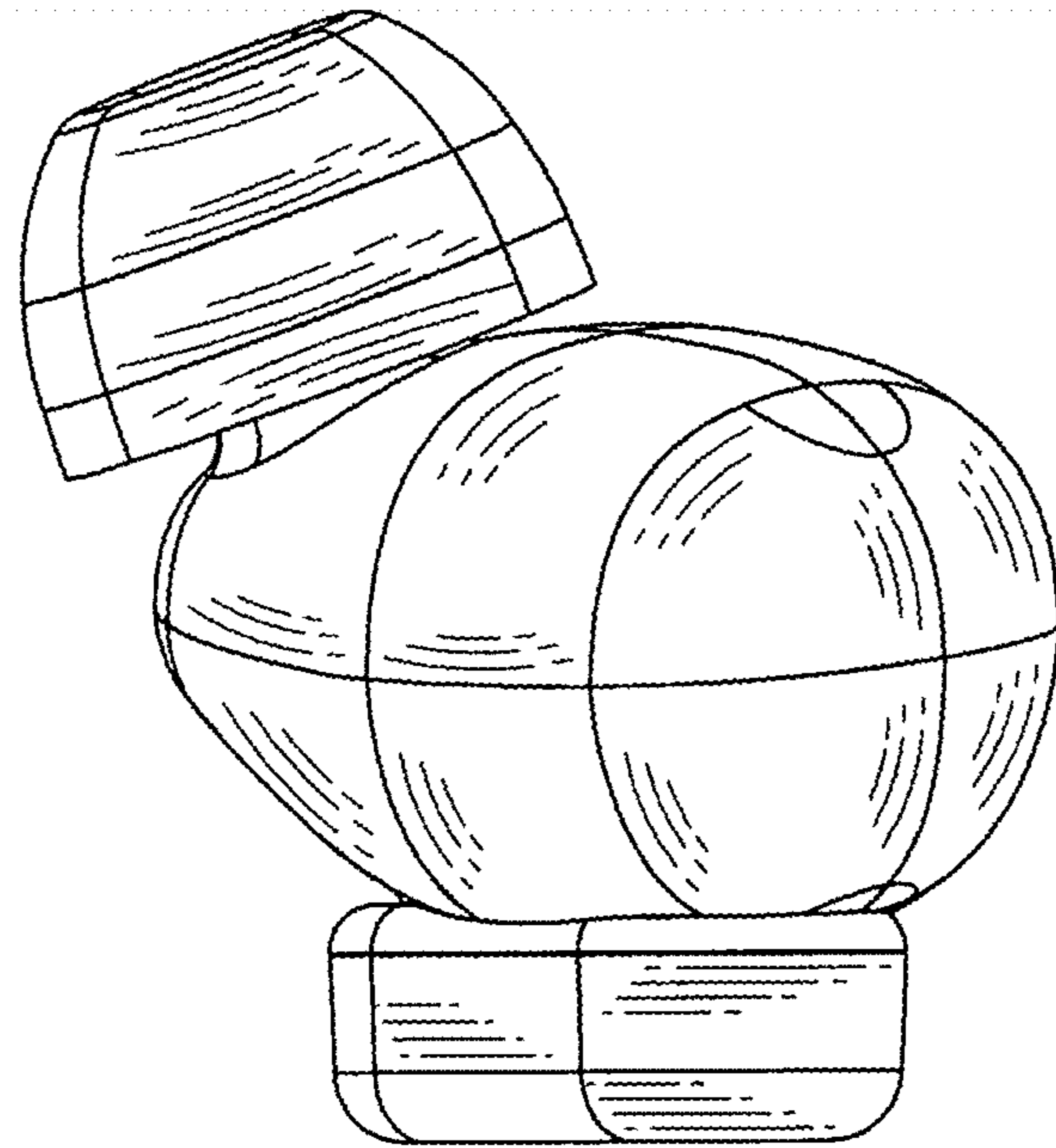


FIG. 9

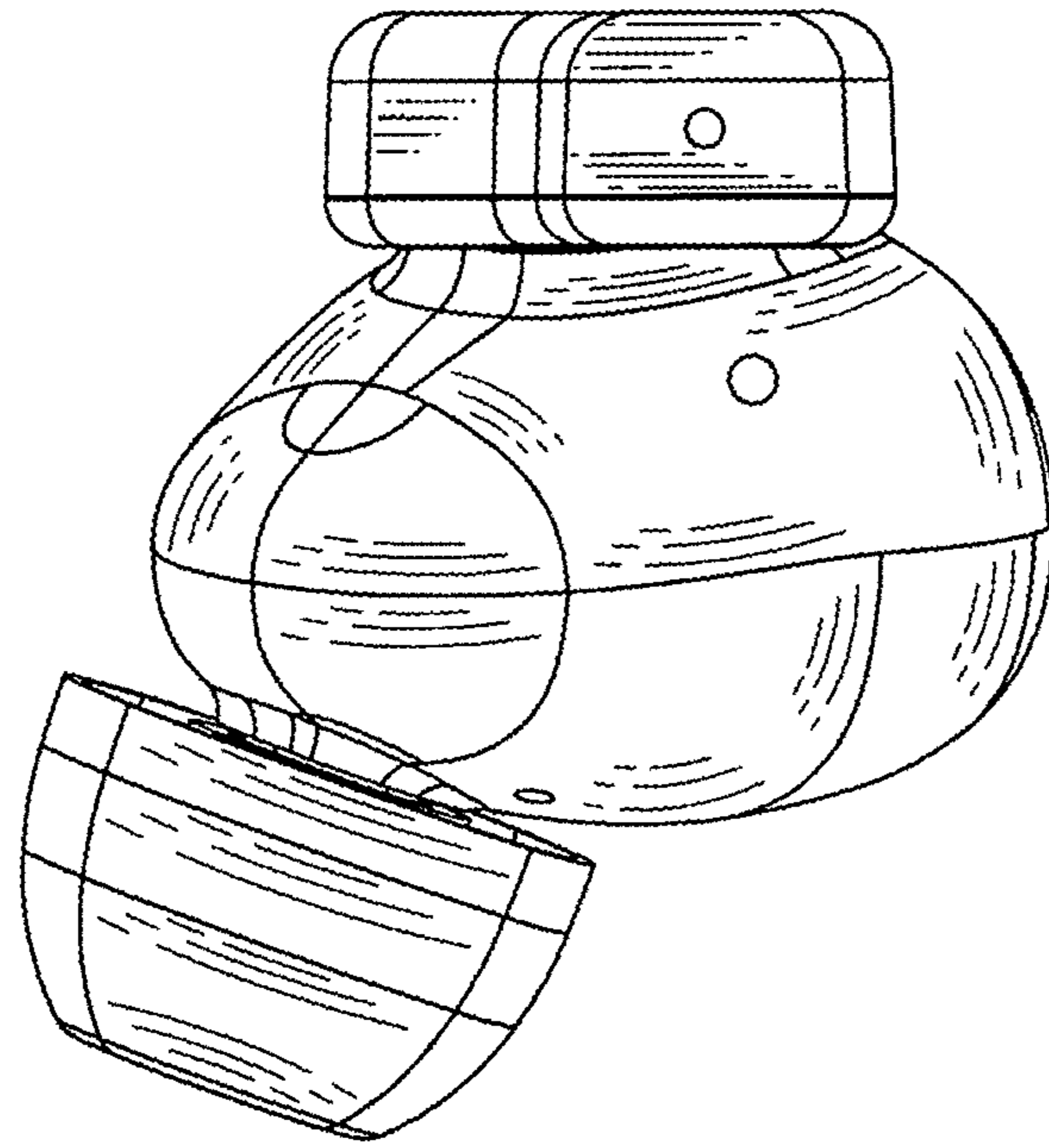


FIG. 10

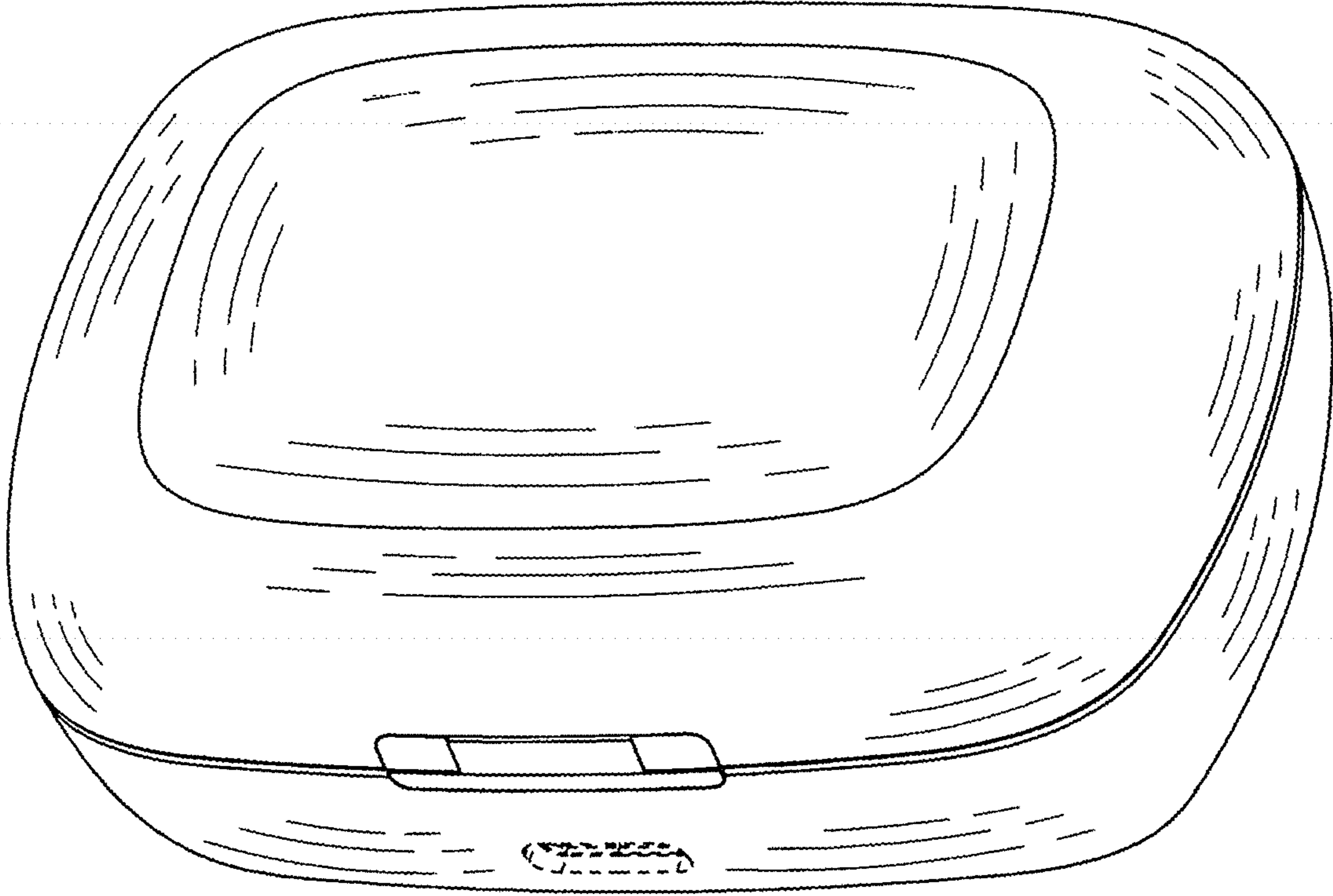


FIG. 11

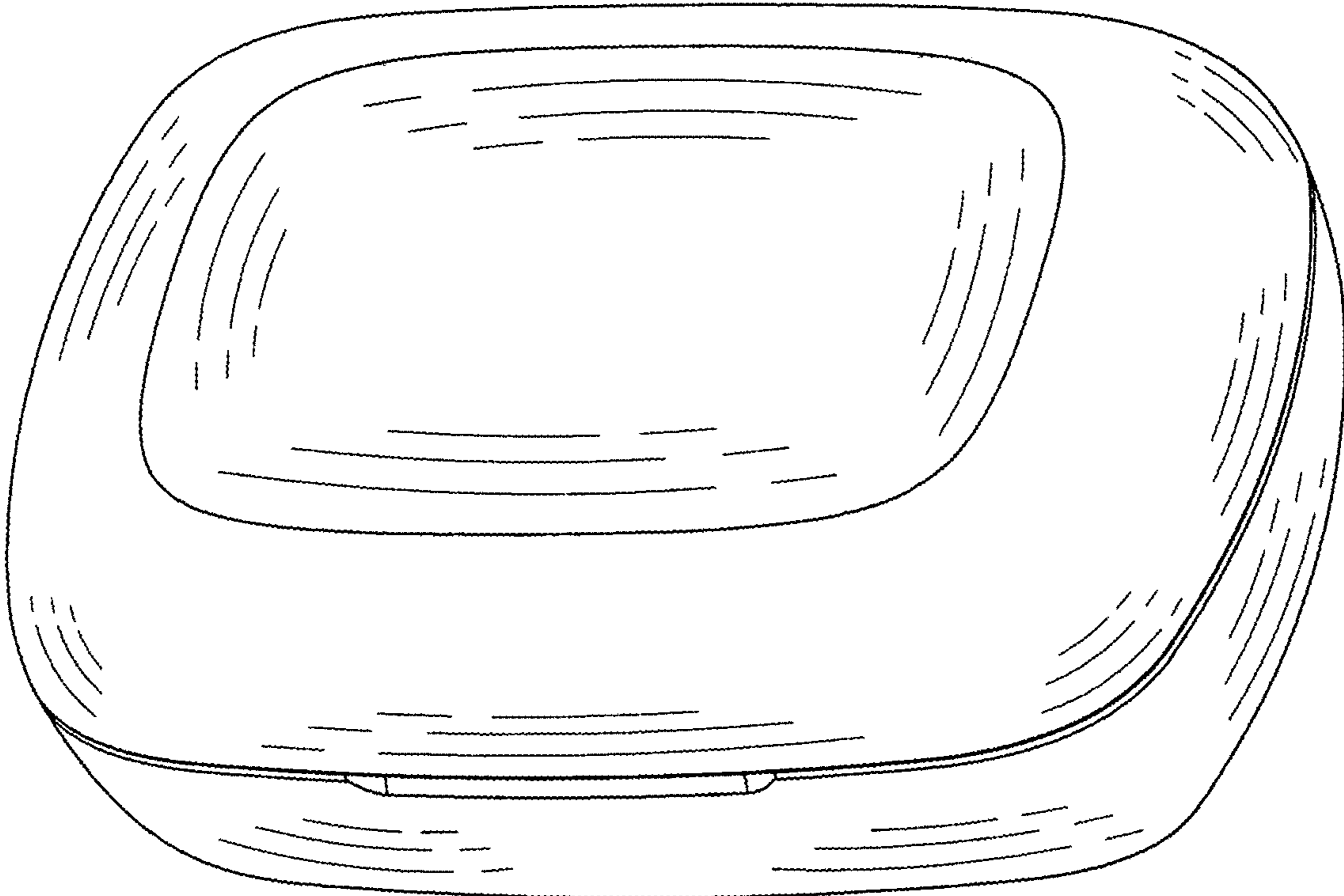


FIG. 12

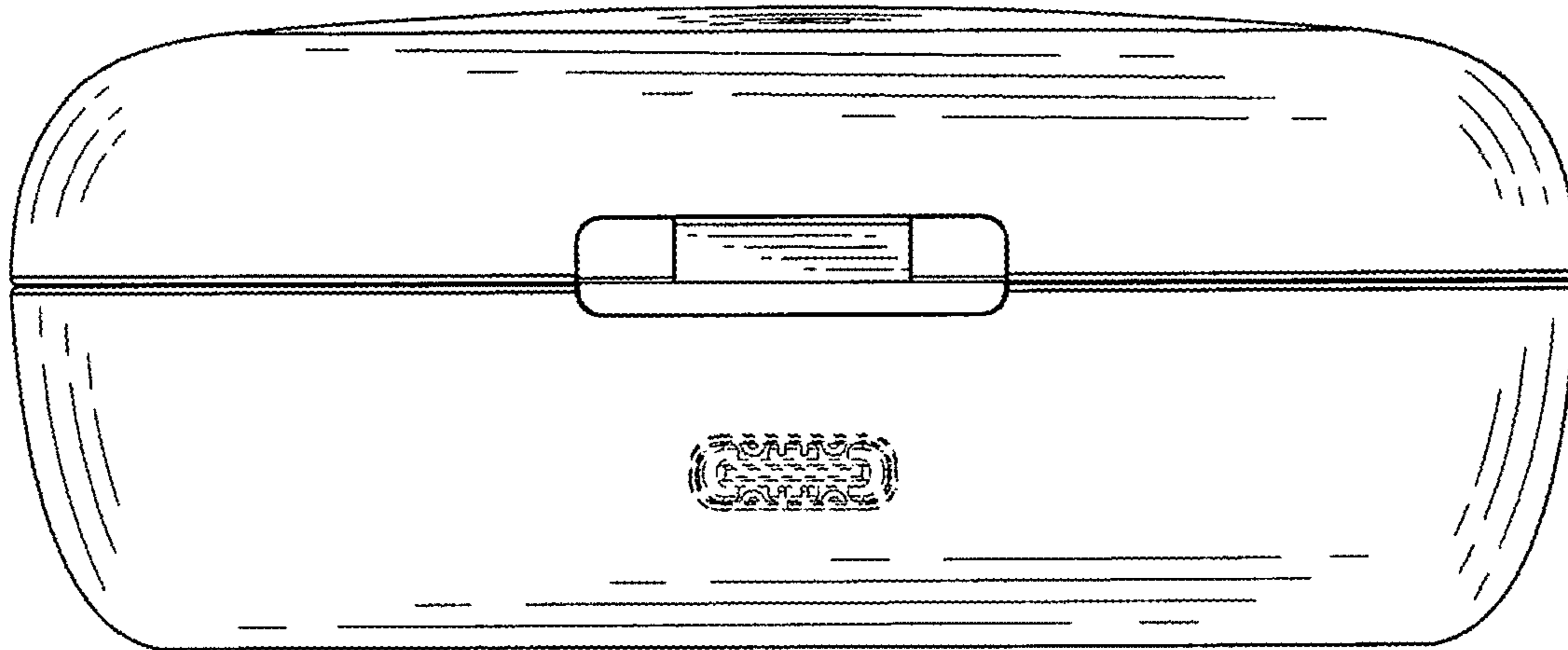


FIG. 13

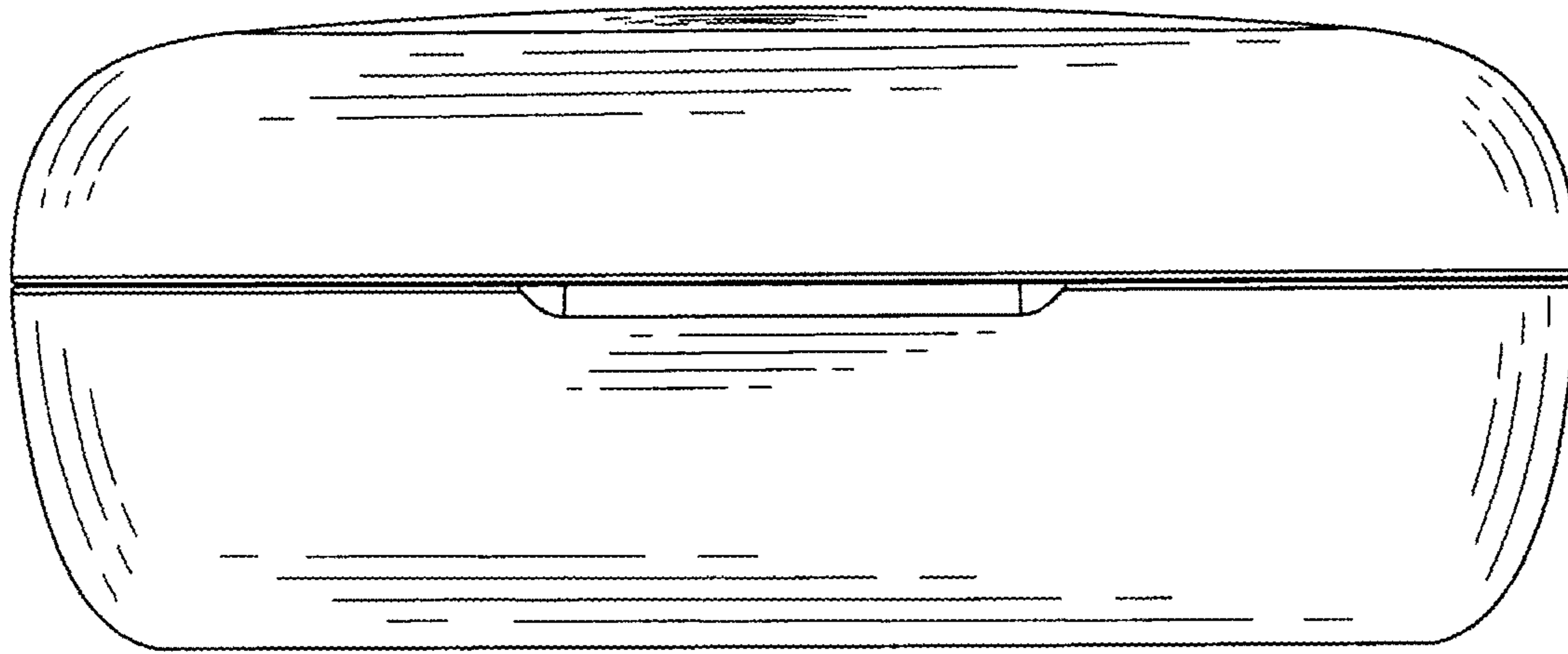


FIG. 14

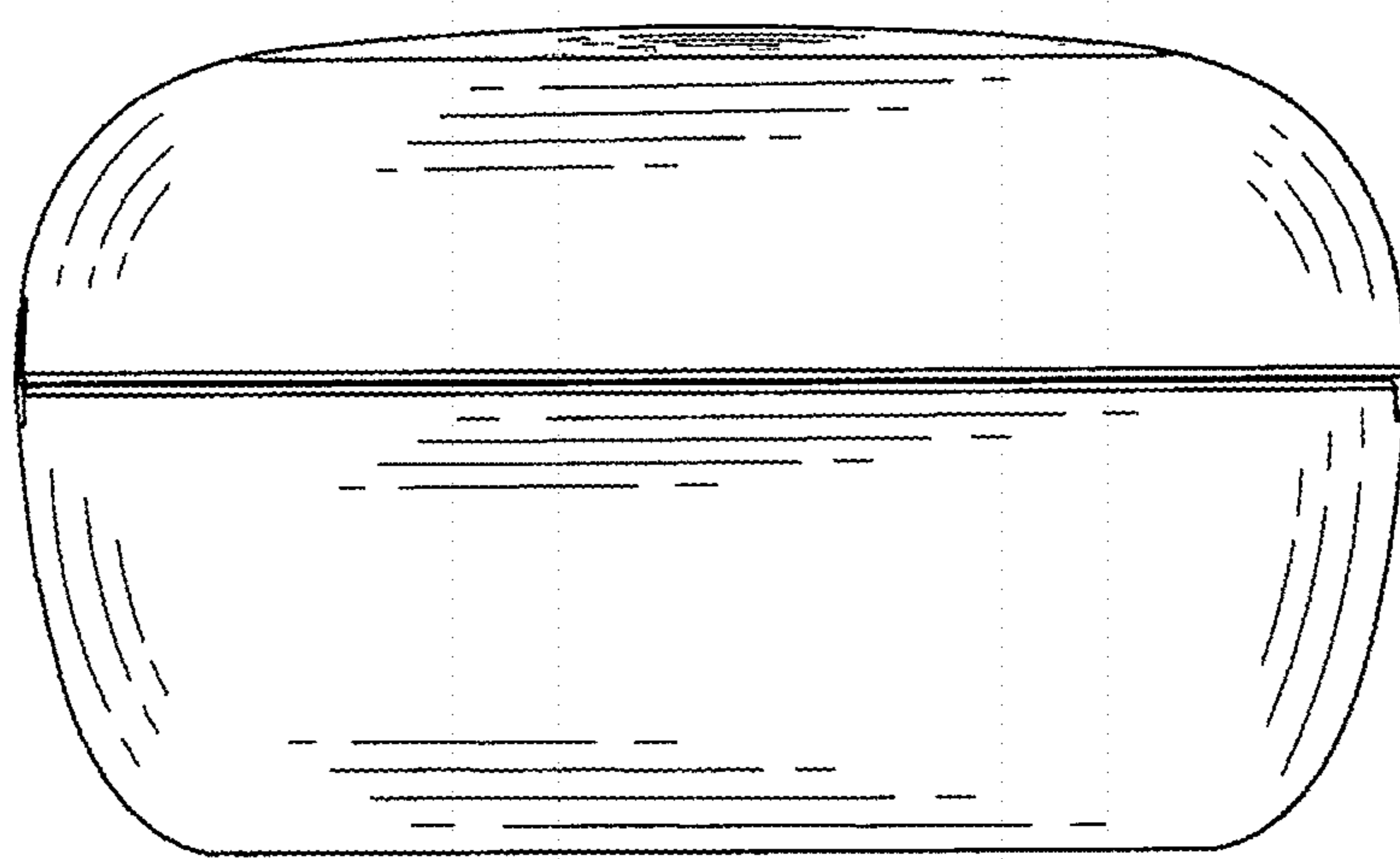


FIG. 15

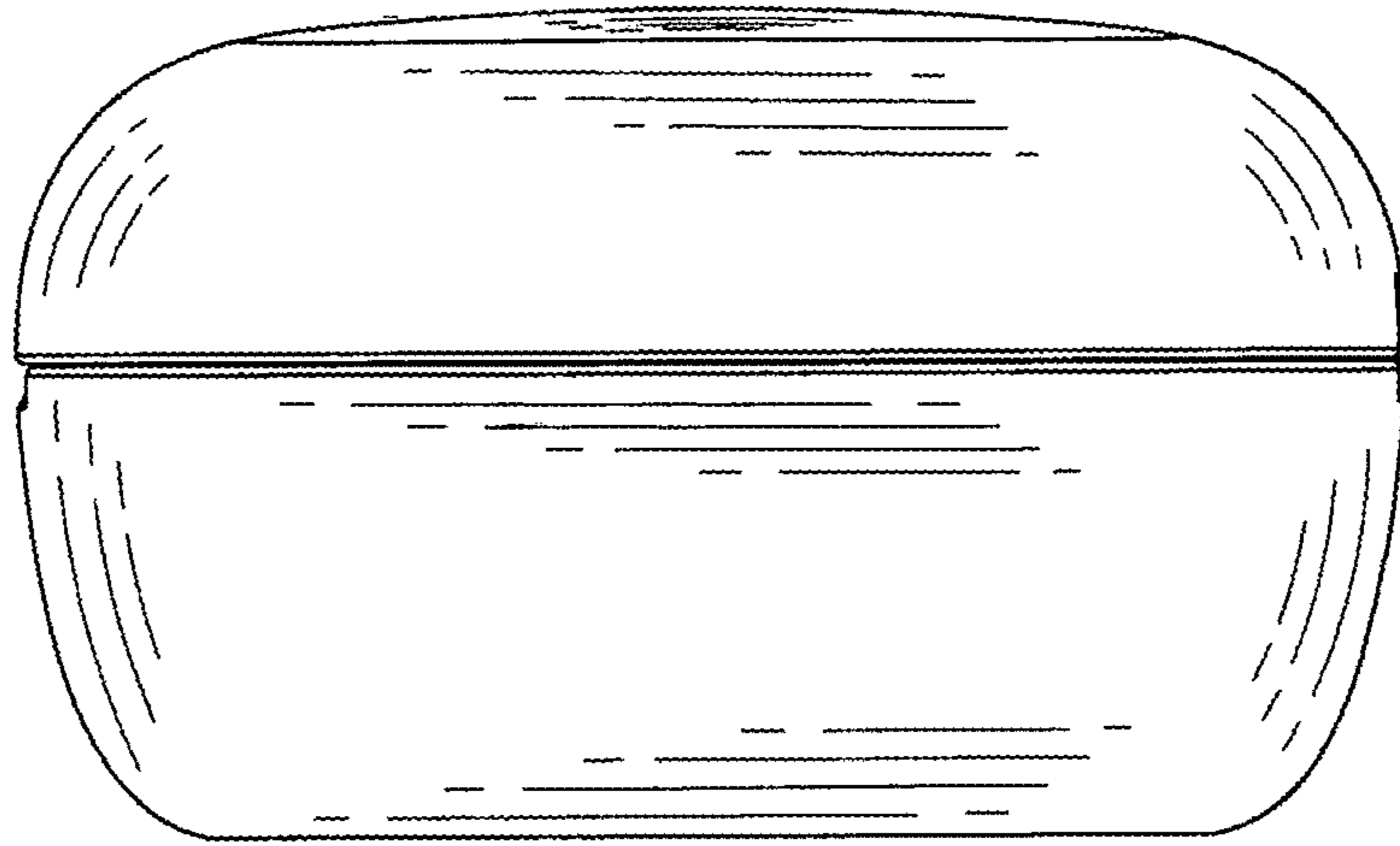


FIG. 16

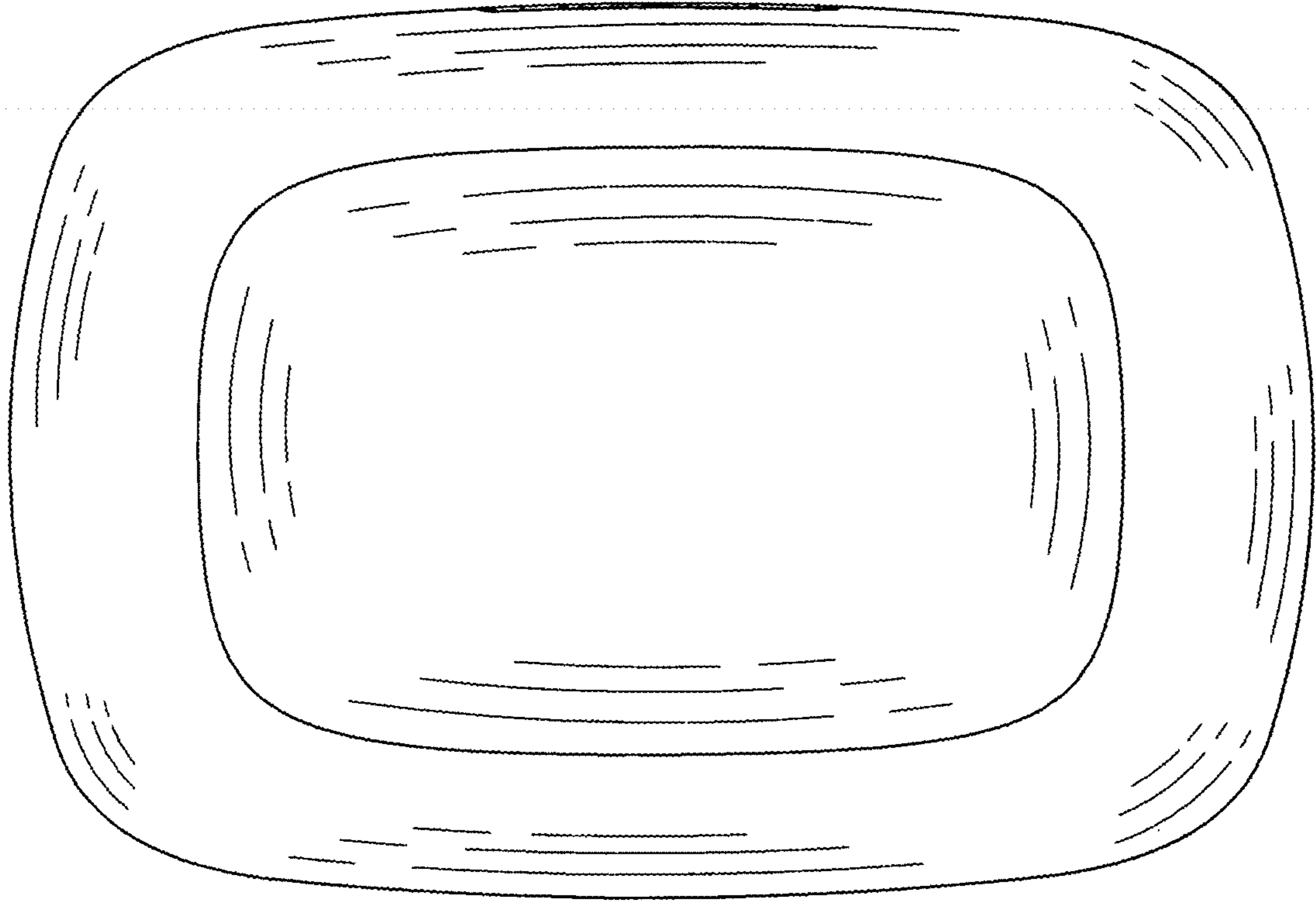


FIG. 17

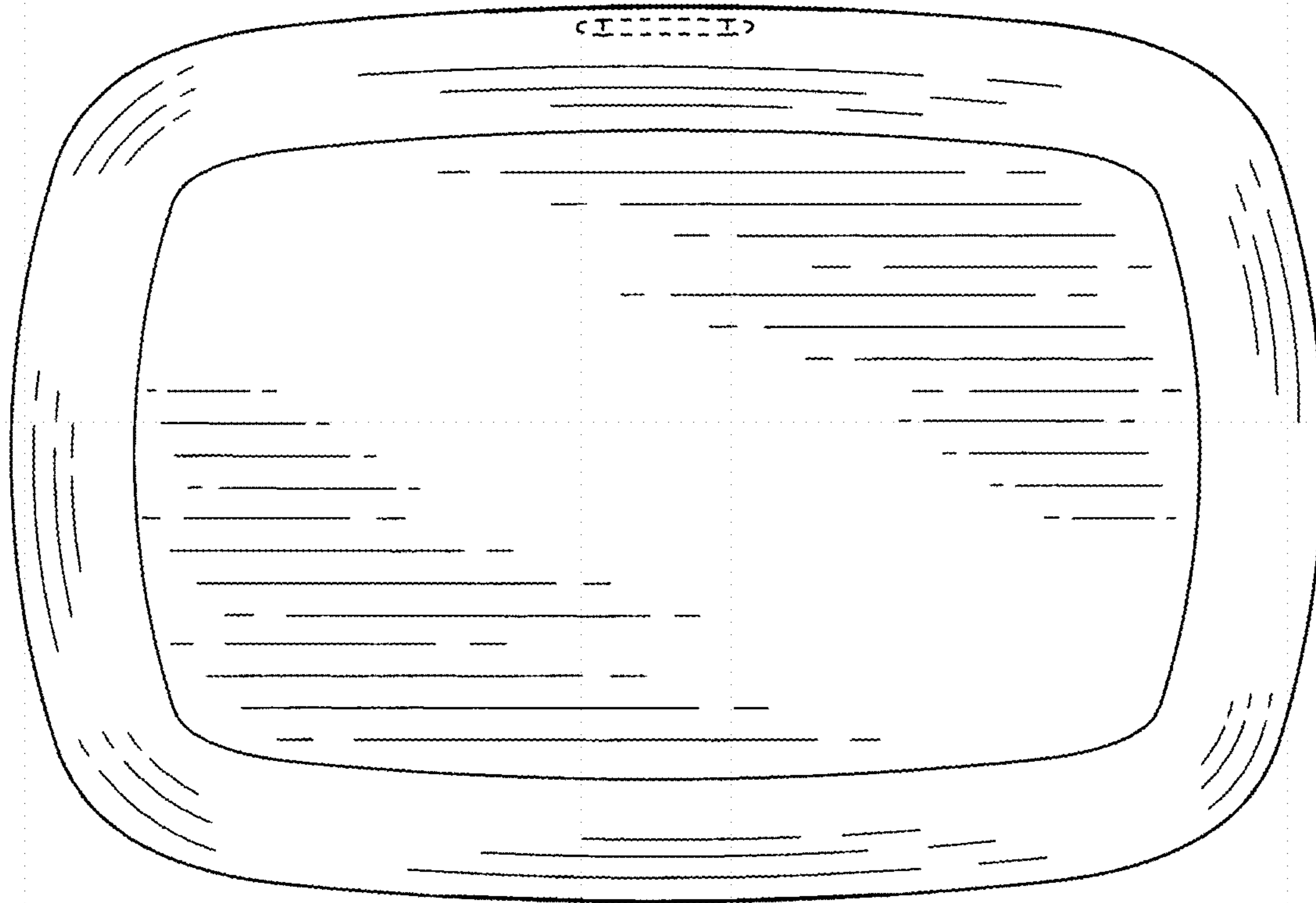


FIG. 18