



US00D946512S

(12) **United States Design Patent**  
**Yoon**

(10) **Patent No.:** **US D946,512 S**  
(45) **Date of Patent:** **\*\* Mar. 22, 2022**

(54) **CHARGING STAND FOR ELECTRONIC DEVICES**

D858,437 S 9/2019 Lu et al.  
D873,216 S \* 1/2020 Zhang ..... D13/108  
D875,679 S \* 2/2020 Yi ..... D13/108

(71) Applicant: **SPIGEN KOREA CO., LTD.**, Seoul (KR)

(Continued)

(72) Inventor: **Tae Sung Yoon**, Seoul (KR)

(73) Assignee: **SPIGEN KOREA CO., LTD.**, Seoul (KR)

(\*\*) Term: **15 Years**

(21) Appl. No.: **29/691,723**

(22) Filed: **May 17, 2019**

(51) **LOC (13) Cl.** ..... **13-02**

(52) **U.S. Cl.**  
USPC ..... **D13/108**

(58) **Field of Classification Search**  
USPC ..... D13/103, 107-110, 118, 119, 146, 147, D13/153, 155, 184, 199, 154; D32/31; D8/356, 358  
CPC ..... Y02E 60/12; H02J 7/025; H02J 7/0042; H02J 7/0044; H02J 7/0045; H02J 7/0003; H02J 7/0027; H02J 7/0013; H02J 7/0054; H02J 7/00; H02J 2001/008; H02J 3/32; H02J 3/008; H01F 38/14; H01R 13/6675; H01M 2/1022; H01M 2/1055; H01M 10/44; H01M 10/46; H01M 10/425; B60L 11/182; B60L 11/1809; B60L 11/1861; B60R 16/03  
See application file for complete search history.

(56) **References Cited**

**U.S. PATENT DOCUMENTS**

D813,805 S 3/2018 Zhong  
D814,413 S \* 4/2018 Zhong ..... D13/108  
D826,851 S \* 8/2018 Wang ..... D13/108  
D839,190 S \* 1/2019 Xie ..... D13/108  
D852,134 S 6/2019 Mei  
D852,135 S \* 6/2019 Mei ..... D13/108

**OTHER PUBLICATIONS**

Amazon.com: Spigen 3 in 1 Charging Station . . . Date First Available of Jul. 11, 2019. Retrieved from the internet at <https://www.amazon.com/Spigen-Charging-Designed-iPhone-Airpods/dp/B07V2K4CZL/>, Dec. 2, 2020. 1 page. (Year: 2019).\*

(Continued)

*Primary Examiner* — Christy Nemeth

(74) *Attorney, Agent, or Firm* — Heedong Chae; Lucem, PC

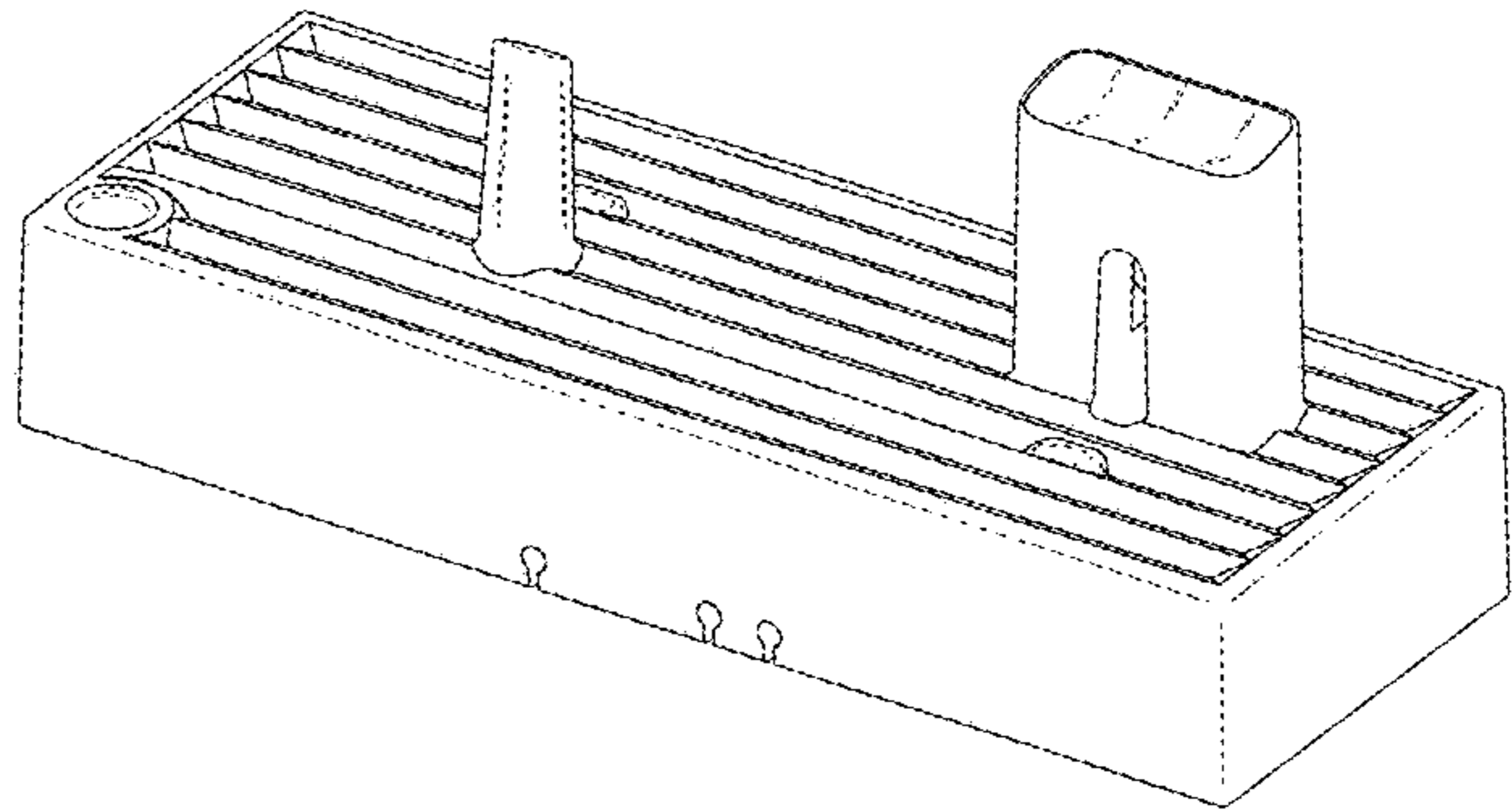
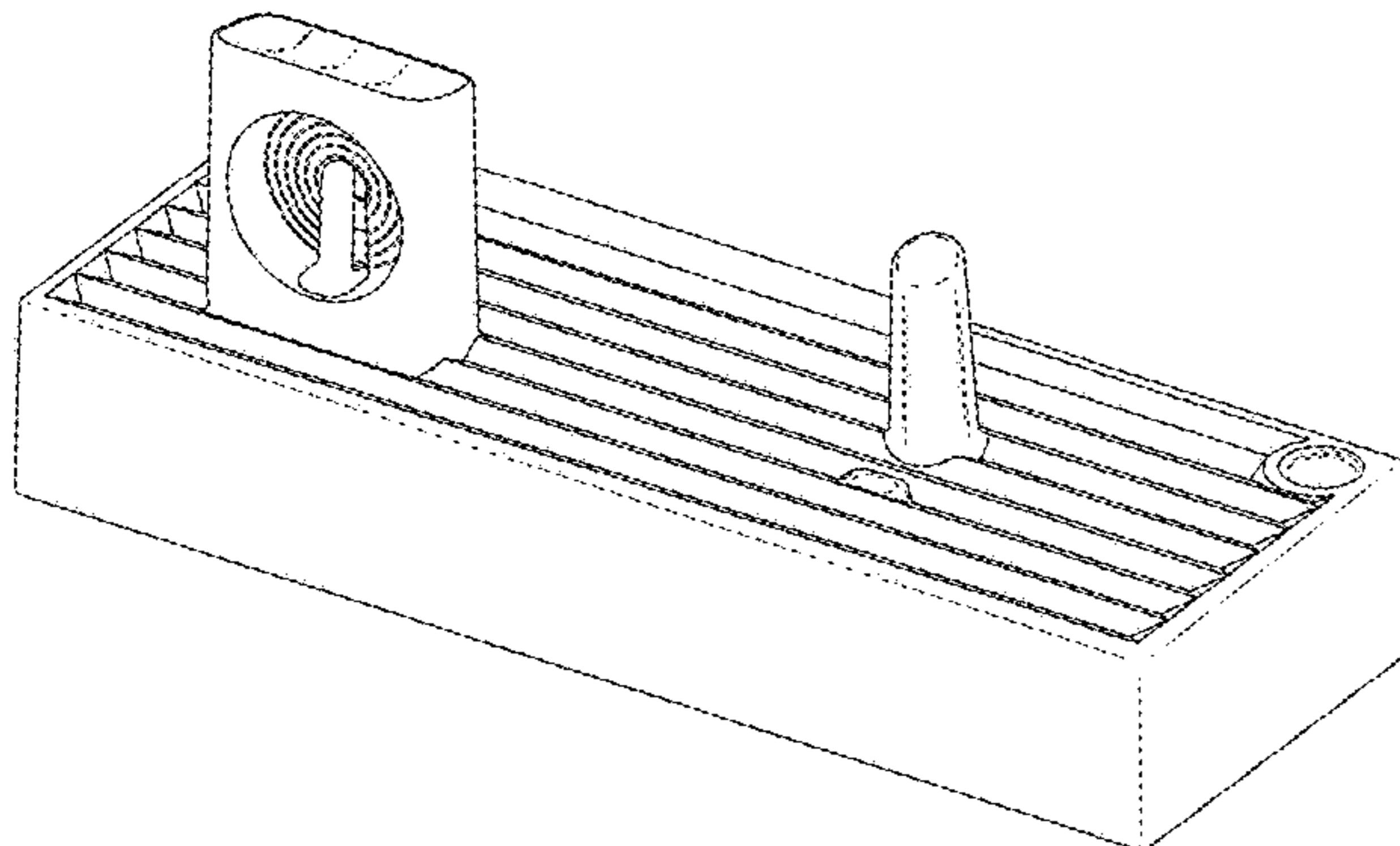
(57) **CLAIM**

The ornamental design for a charging stand for electronic devices, as shown and described.

**DESCRIPTION**

FIG. 1 is a front perspective view of a charging stand for electronic devices showing my new design; FIG. 2 is a rear perspective view thereof; FIG. 3 is a front elevational view thereof; FIG. 4 is a rear elevational view thereof; FIG. 5 is a left side elevational view thereof; FIG. 6 is a right side elevational view thereof; FIG. 7 is a top plan view thereof; FIG. 8 is a bottom plan view thereof; FIG. 9 is a cross-sectional view of a charging stand for electronic devices taken in the direction of line 9-9 of FIG. 7; and, FIG. 10 is the front perspective view thereof shown in an environment of use. The broken lines in the drawing figures depict portions of the charging stand for electronic devices and environmental subject matter that form no part of the claimed design.

**1 Claim, 10 Drawing Sheets**





(56)

**References Cited**

## U.S. PATENT DOCUMENTS

D877,072	S	*	3/2020	Yin	.....	D13/108
D879,035	S	*	3/2020	Li	.....	D13/108
D881,123	S	*	4/2020	Zhang	.....	D13/108
D884,622	S		5/2020	Huang		
D886,056	S	*	6/2020	Zhang	.....	D13/108
D886,059	S	*	6/2020	Hu	.....	D13/108
D889,403	S	*	7/2020	Li	.....	D13/108
D914,595	S	*	3/2021	Rooyakkers	.....	D13/110
D915,277	S	*	4/2021	Peng	.....	D13/108
D917,386	S	*	4/2021	Xu	.....	D13/108
D933,005	S	*	10/2021	Yarbough	.....	D13/108
D933,594	S	*	10/2021	Zhang	.....	D13/108
D933,598	S	*	10/2021	Zhang	.....	D13/108
D934,794	S	*	11/2021	Brisebras	.....	D13/108

## OTHER PUBLICATIONS

“InkoTimes Bamboo Charging Station for Multiple Devices Organizer—USB Wooden Charging Docking Station—Perfect for Smart Phone Pad Tablet Home Family Office or Gift Giving (USB Charger NOT Included)”, <https://www.amazon.com/InkoTimes-Bamboo-Wooden-Charging-Station/dp/B06XWTQZJM>, Earliest review date of Apr. 27, 2017, Downloaded on Sep. 30, 2020.

“BoxThink Charging Station Apple Watch Airpods Charger Stand iPhone Charging Dock Cable Management Wood Charging Station with 3 USB Ports Compatible with AirPods/Apple Watch Series3/2/1/iPhone”, <https://www.amazon.com/BoxThink-Charging-Station-Management-Compatible/dp/B075SC1Q9S>, Earliest review date of Nov. 6, 2017, Downloaded on Sep. 30, 2020.

“Pezin & Hulin Bamboo Charging Stations for Multiple Devices, Upgrade Desk Docking Station Organizer for Cell Phones, Tablet, AirPods, iWatch Stand (Includes 5 Cables But No Power Supply Charger)”, <https://www.amazon.com/Pezin-Hulin-Charging-Stations-Organizer/dp/B076J4Z9N3>, Earliest review date of Jan. 10, 2018, Downloaded on Sep. 30, 2020.

“MOOZO Rosewood Multi-Device Desktop Dock Station Charger Holder Cradle Stand Compatible for iPhone 11 Pro Max XS XR XS Max X 8 7 6 6S Plus iPad Mini Apple Watch / iWatch 2 3 4 Samsung S8 S7 Smartphone”, <https://www.amazon.com/MOOZO-Rosewood-Multi-Device-Compatible-Smartphones/dp/B075BVH2VN>, Earliest review date of Jan. 15, 2018, Downloaded on Sep. 29, 2020.

“Pezin & Hulin Bamboo Charging Station, Multiple Devices Organizer for Phones, Tablet, Office Desktop Wooden Docking Stations (Include 5 x Charger Cable), Storage Box Stand for Pen, Key, Remote”, <https://www.amazon.com/Pezin-Hulin-Charging-Multiple-Organizer/dp/B077ZRJTKK>, Earliest review date of Feb. 14, 2018, Downloaded on Sep. 29, 2020.

“BEACOO Stand for iwatch 5, Charging Stand Dock Station for AirPods Stand Charging Docks Holder, Support for watch 5/4/3/2/1 Nightstand Mode and for iPhone 11/X/7/7plus/SE/5s/6S”, <https://www.amazon.com/BEACOO-Charging-Station-AirPods-NightStand/dp/B077CZL5FB>, Earliest review date of Mar. 3, 2018, Downloaded on Sep. 29, 2020.

“Olebr Charging Stand Compatible with iWatch 6 and SE Watch Charging Stand for AirPods, iWatch Series 6/SE/5/4/3/2/1, iPhone 11/11 Pro/11 Pro Max/Xs/X Max/XR/X/8/8Plus/7/7 Plus /6S /6S

Plus-Rose Gold”, <https://www.amazon.com/dp/B078MYLMTN>, Earliest review date of Apr. 18, 2018, Downloaded on Sep. 30, 2020. “105W Charging Station for iPad Pro,Air, USB-C Laptop,Macbook,iPhone,Kindle, Samsung, Multiple Devices,COSOOS6—Port USB Charger Station with Power Delivery PD & QC 3.0, 7 USB Cable(4 Type),iWatch Stand”, <https://www.amazon.com/COSOOS-Charging-Station-Multiple-Delivery/dp/B07DJ69YLS>, Earliest review date of Apr. 23, 2018, Downloaded on Sep. 30, 2020.

“Poweroni USB Charging Station Dock—6-Port—Fast Charge Docking Station for Multiple Devices—Multi Device Charger Organizer—Compatible with Apple iPad iPhone and Android Cell Phone and Tablet”, <https://www.amazon.com/Poweroni-USB-Charging-Station-Dock/dp/B07DMNPNSH>, Earliest review date of Oct. 1, 2018, Downloaded on Sep. 30, 2020.

“Merkury Innovations 4.8 Amp 4-Port USB Charging Station Fast Charge Docking Station for Multiple Devices—Multi Device Charger Organizer—Compatible with Apple iPad iPhone and Android (Black/Grey)”, <https://www.amazon.com/Merkury-Innovations-Charging-Station-Multiple/dp/B07FTVQS17>, Earliest review date of Nov. 1, 2018, Downloaded on Sep. 30, 2020.

“Motospeed 3 in 1 Charging Station for Apple Watch Charger Stand Dock for iWatch Series 5/4/3/2/1/ AirPods Pro/2 /iPhone 11/11 pro/Xs/Xs Max/Xr/X/8/8 Plus/7/7 Plus/6/—Support Nightstand Mode”, <https://www.amazon.com/DARMOSHARK-Charging-Station-AirPods-Support/dp/B07HH7ZYGS>, Earliest review date of Nov. 12, 2018, Downloaded on Sep. 30, 2020.

“AOJUE 3 in 1 Silicone Charging Stand for Apple Watch/iPhone and AirPods,Charger Stand Dock Station for Apple Watch Series 4/3/2/1 /AirPods/iPhone Xs/XS Max/XR/X/8/8 Plus (Dark Black)”, <https://www.amazon.com/AODUKE-Silicone-Charging-AirPods-Charger/dp/B07MDPC5NH>, Earliest review date of Dec. 2, 2018, Downloaded on Sep. 29, 2020.

“Ocim 6 Port USB Charging Station, Multiple Devices Desktop Charger Docking Organizer Compatible for Airpods Apple iWatch iPhone iPad Tablets and Smart Cell Phones”, <https://www.amazon.com/Charging-Station-Organizer-Compatible-Multiple/dp/B07JFLX57K>, Earliest review date of Dec. 18, 2018, Downloaded on Sep. 30, 2020.

“Bamboo Charging Station Dock for 4/5 / 6 Ports USB Charger, Desktop Docking Station Organizer for Cellphone, Smart Watch, Tablet(5 Charging Cables Included, No. Power Supply)”, <https://www.amazon.com/Charging-Multiple-Organizer-Cellphone-Included/dp/B07Q2TSDH1>, Earliest review date of May 10, 2019, Downloaded on Sep. 30, 2020.

“WXTOOLS Bamboo Wood Desk Organizer for Multiple Devices, Charging Stations Accessories Docking Cradle Holder Compatible Cell Phone, Tablet, Apple Watch, Airpods”, <https://www.amazon.com/WXTOOLS-Organizer-Multiple-Accessories-Compatible/dp/B07Q86SZ6K>, Earliest review date of May 11, 2019, Downloaded on Sep. 30, 2020.

“Sendowtek USB Charging Station Multi Devices 5-Port 50W Fast Charger Docking Station QC 3.0 Desktop Watch Stand Organizer 5 Mixed Cables for Android Phone, Tablet and Other Electronic Devices UL Listed”, <https://www.amazon.com/Sendowtek-Charging-Station-Organizer-Electronic/dp/B07QWVR8PY>, Earliest review date of May 12, 2019, Downloaded on Sep. 30, 2020.

\* cited by examiner

FIG. 1

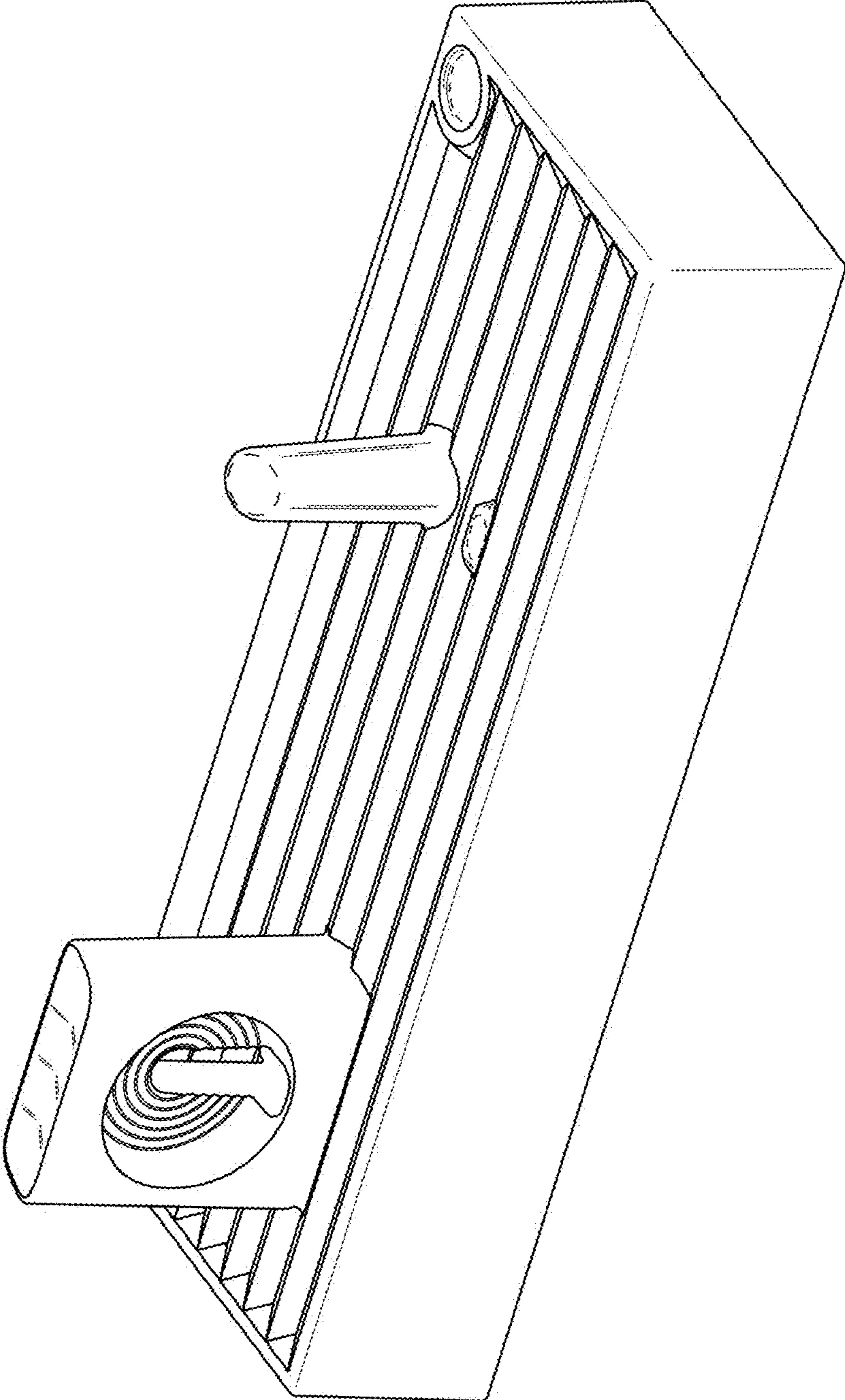




FIG. 2

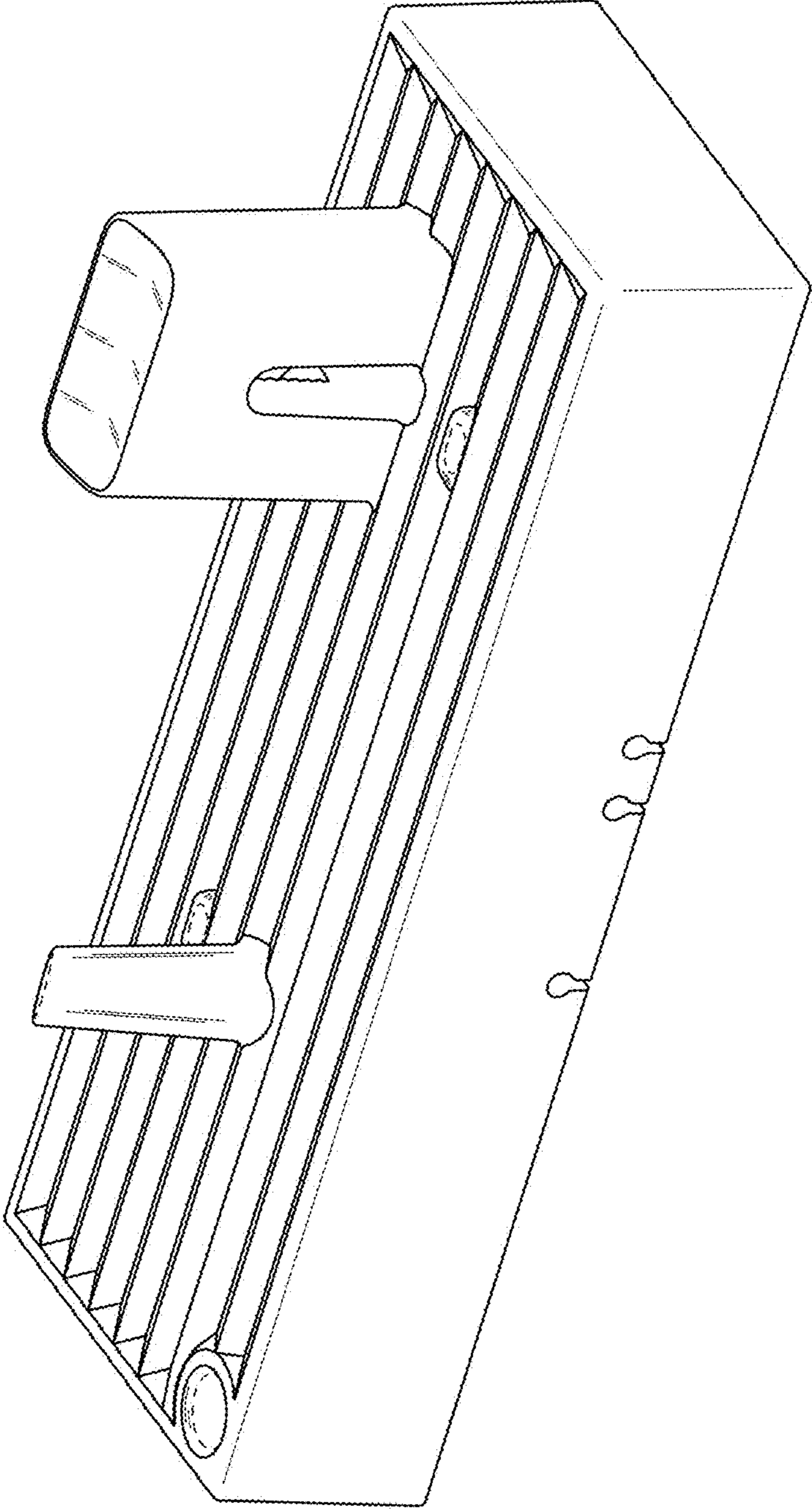


FIG. 3

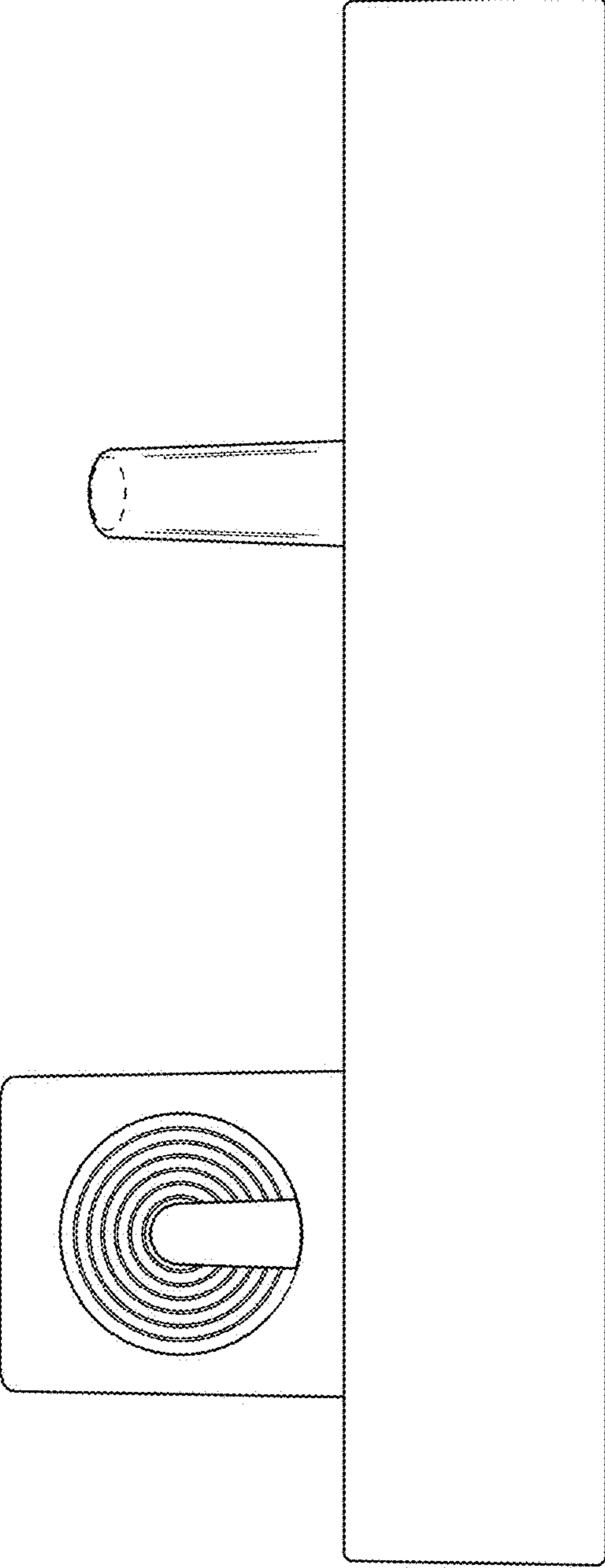


FIG. 4

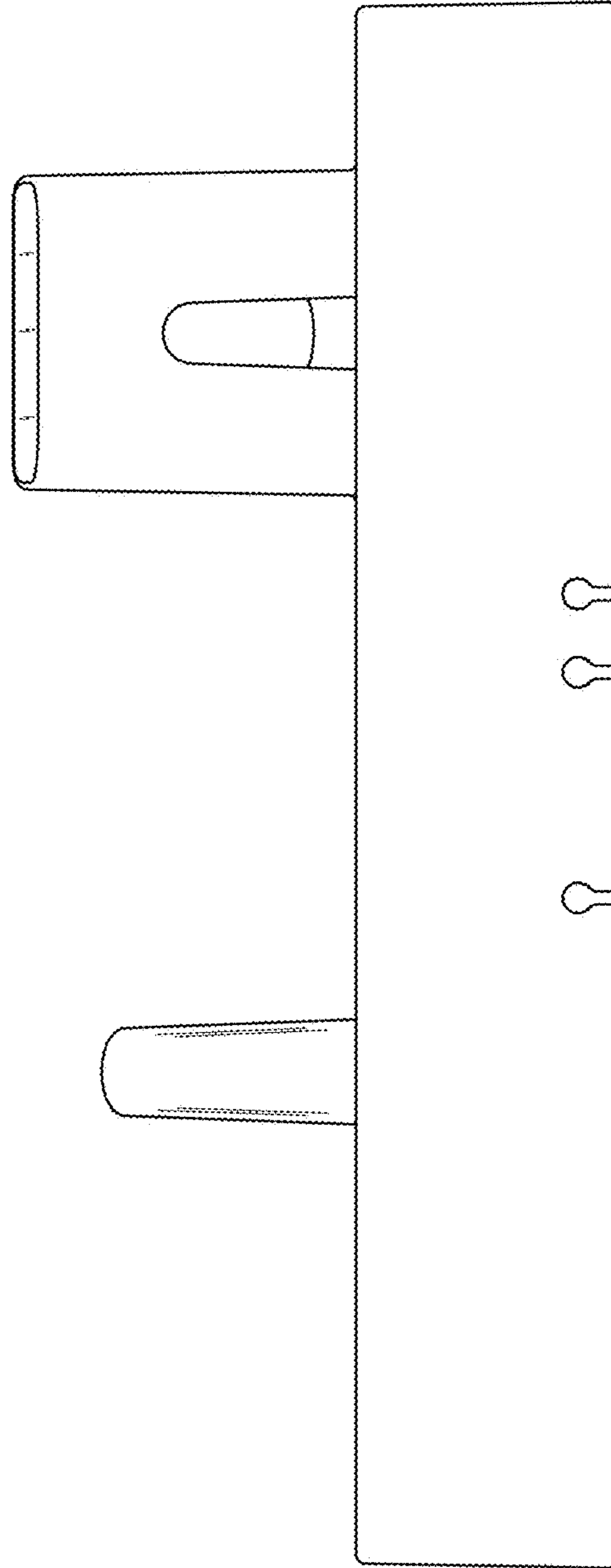


FIG. 5

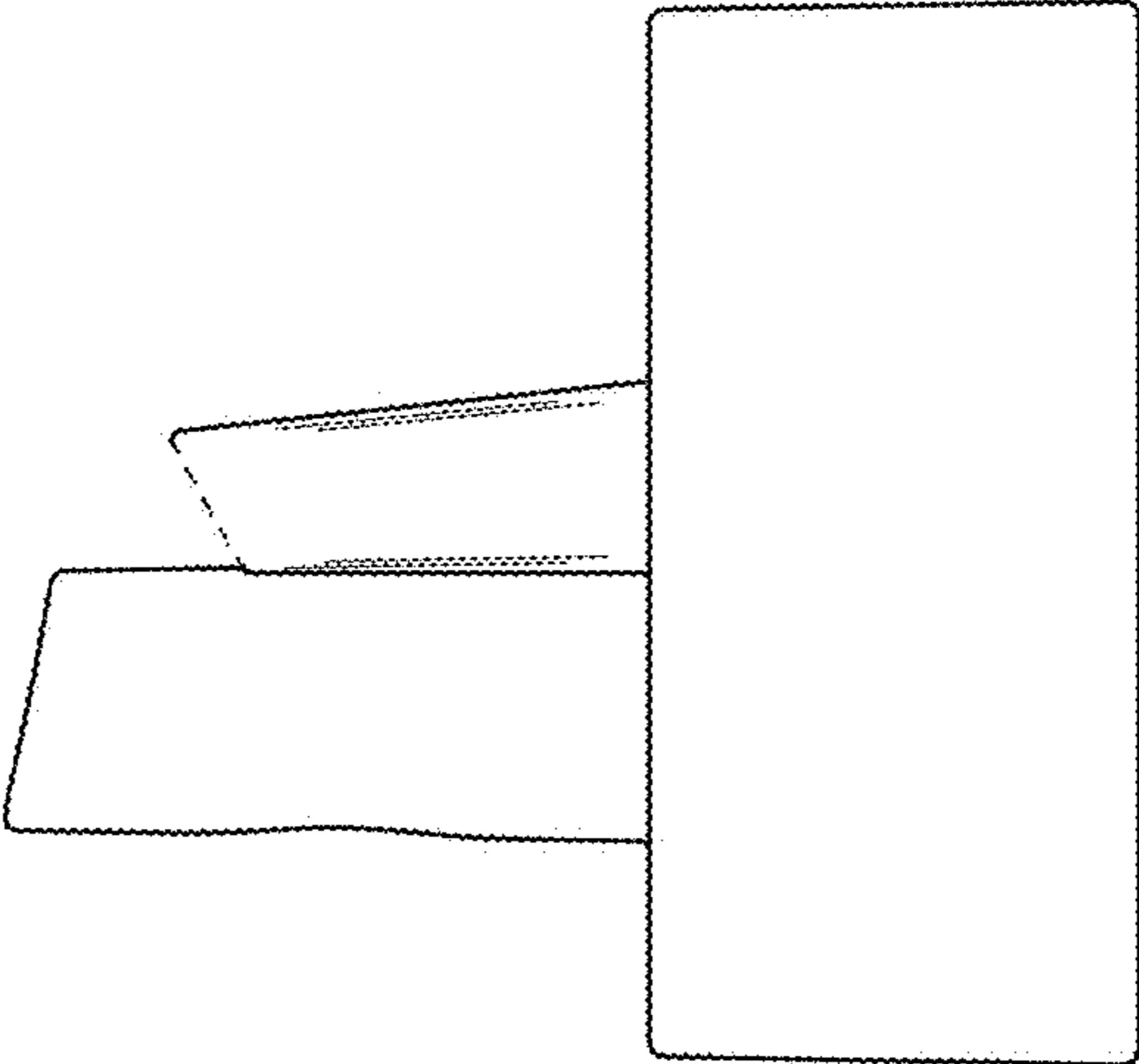


FIG. 6

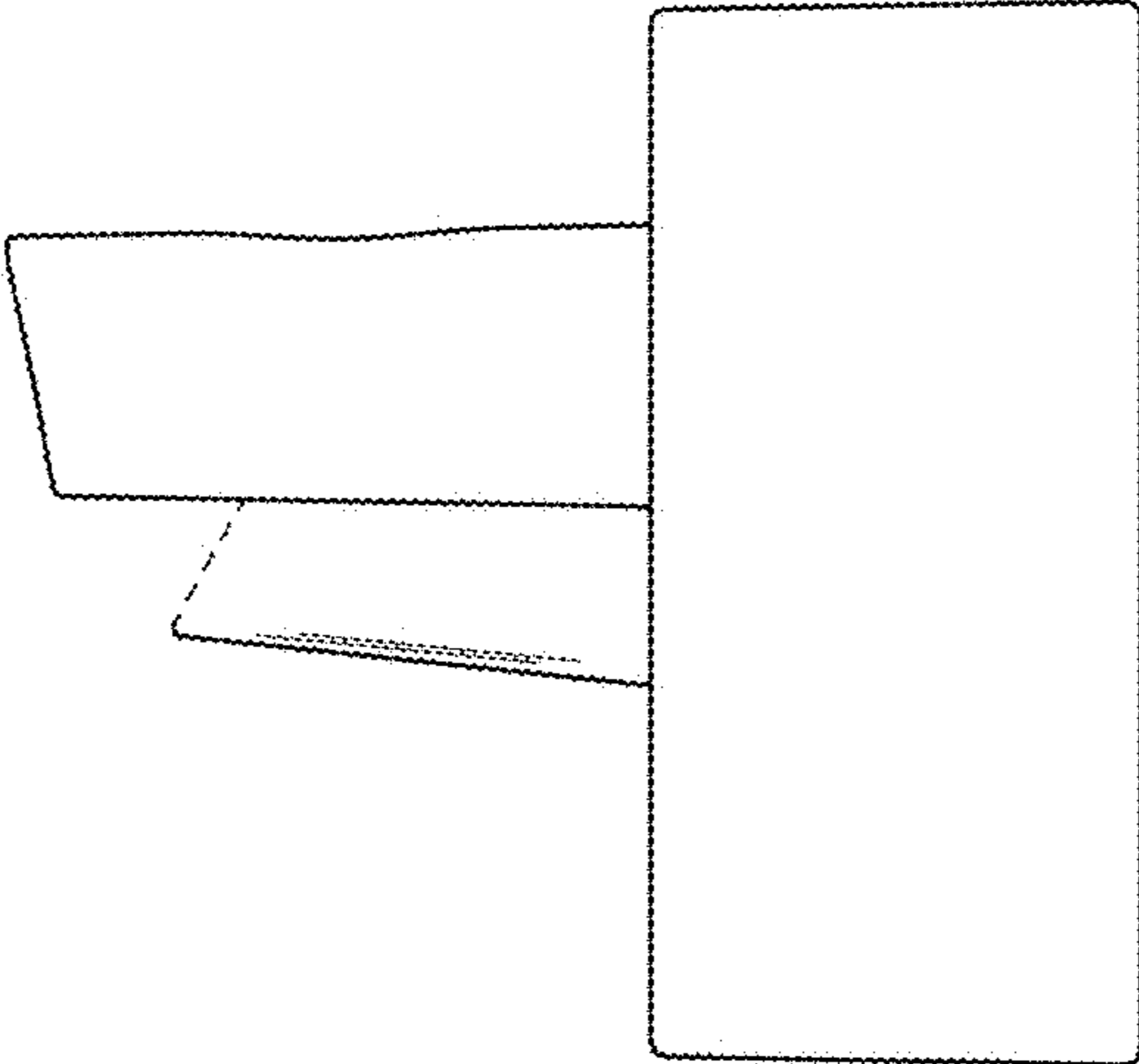




FIG. 7

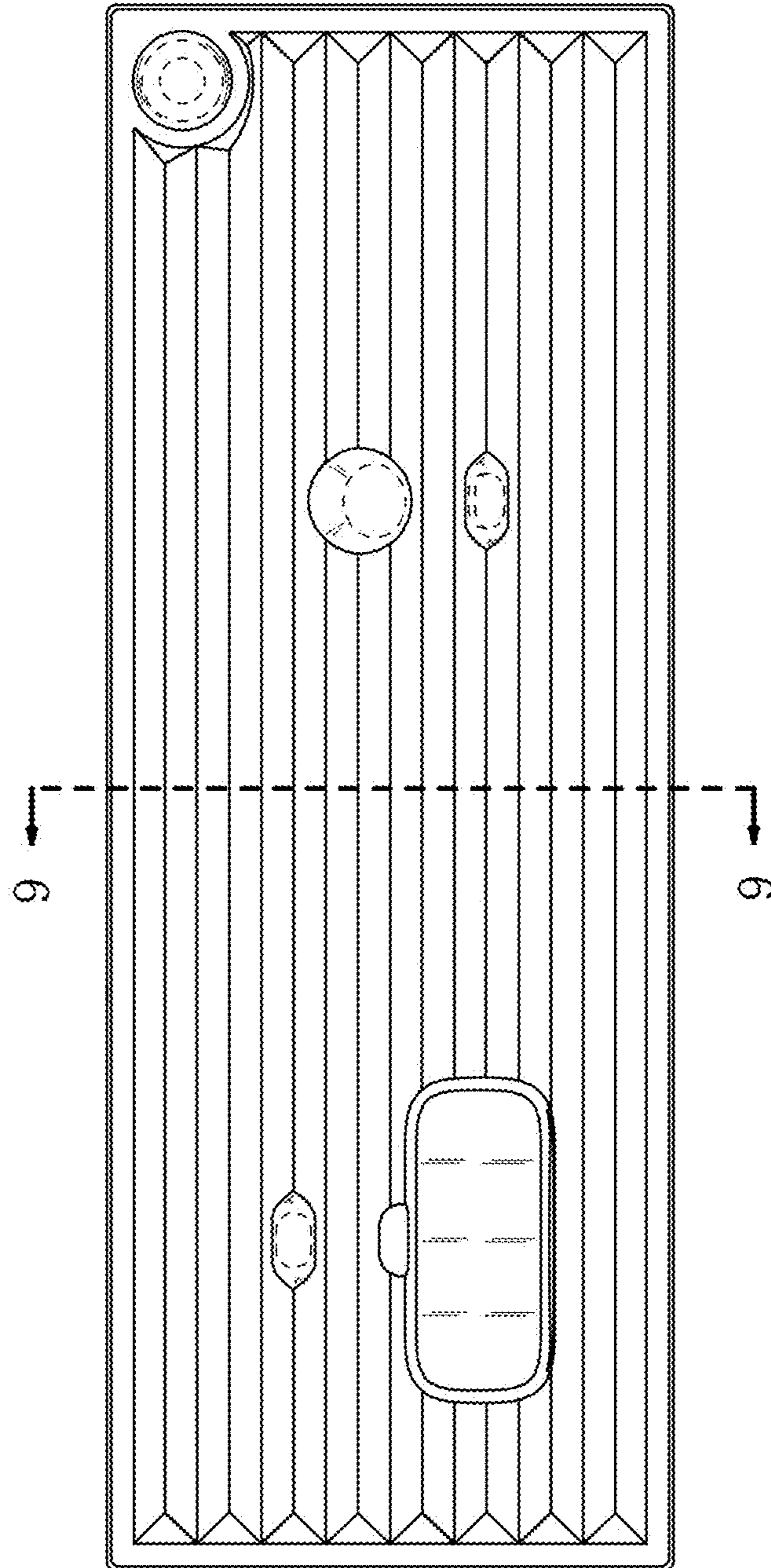


FIG. 8

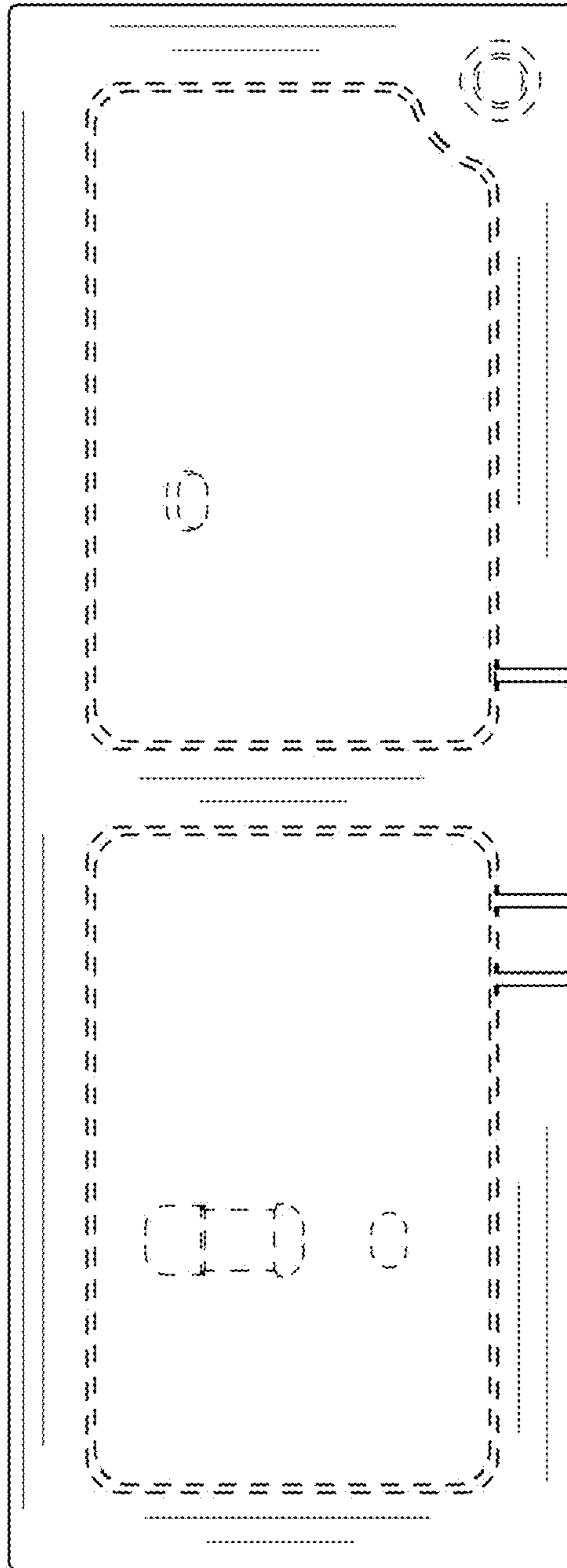


FIG. 9

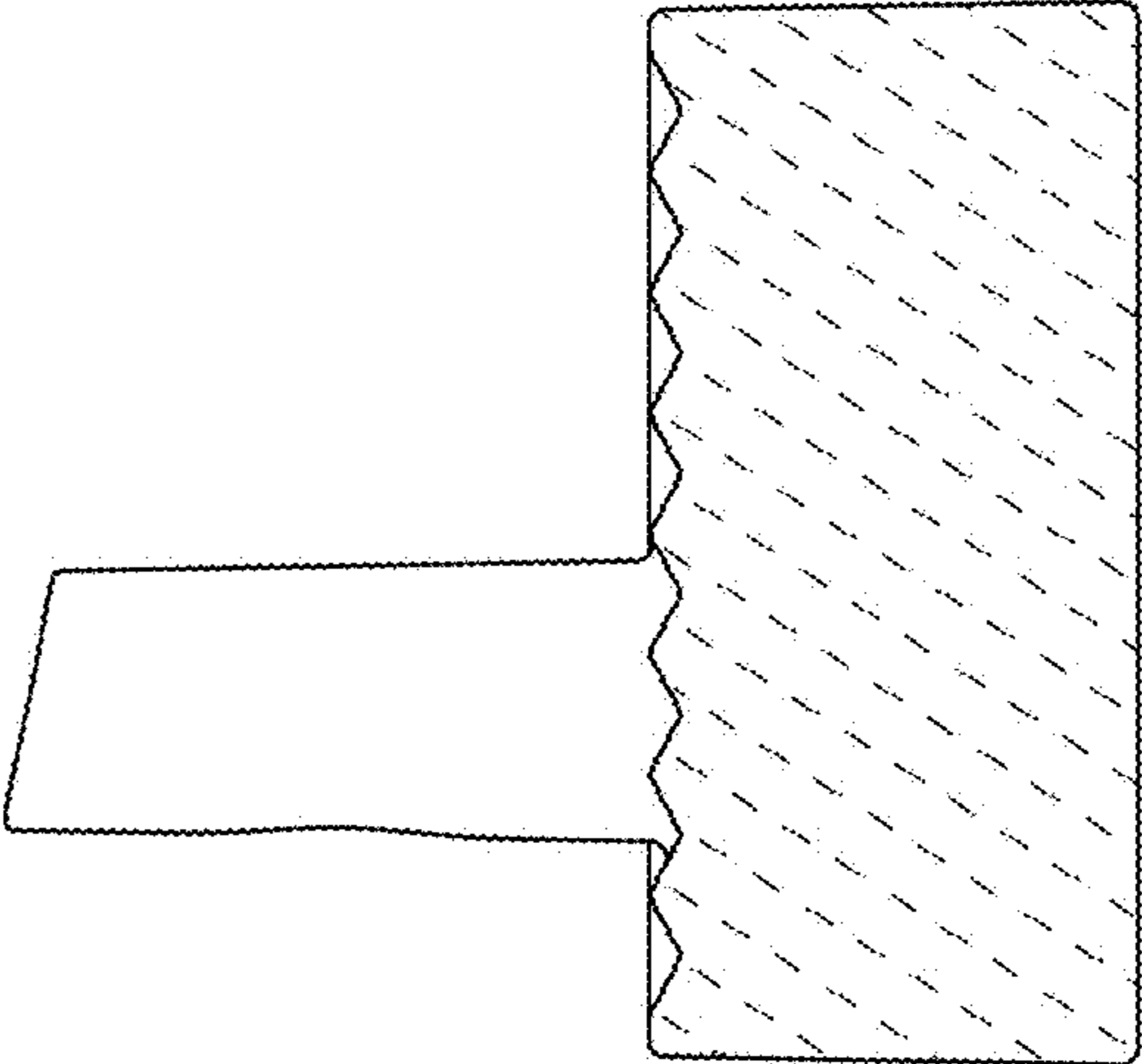


FIG. 10

