



US00D946511S

(12) **United States Design Patent**
Sasaki et al.

(10) **Patent No.:** **US D946,511 S**
(45) **Date of Patent:** **** Mar. 22, 2022**

(54) **BATTERY CHARGER FOR EARPHONE**

(71) Applicant: **JVCKENWOOD Corporation,**
Yokohama (JP)

(72) Inventors: **Yuzuko Sasaki,** Yokohama (JP);
Satoshi Yoshimura, Yokohama (JP)

(73) Assignee: **JVCKENWOOD Corporation,**
Yokohama (JP)

(**) Term: **15 Years**

(21) Appl. No.: **29/745,447**

(22) Filed: **Aug. 6, 2020**

(30) **Foreign Application Priority Data**

Feb. 18, 2020 (JP) 2020-003045

(51) **LOC (13) Cl.** **13-02**

(52) **U.S. Cl.**
USPC **D13/107**

(58) **Field of Classification Search**
USPC D13/103, 107-110, 118, 119, 184, 199;
D14/251, 253, 432, 434

(Continued)

(56) **References Cited**

U.S. PATENT DOCUMENTS

D706,747 S * 6/2014 Yoshimura D14/209.1
D730,282 S * 5/2015 Miller D13/108

(Continued)

OTHER PUBLICATIONS

Amazon.com: JVC HA-XC90T . . . Date first available of May 28, 2020. Retrieved from the internet at <<https://www.amazon.com/JVC-HAXC90T-Wireless-Headphones-Waterproof/dp/B08996HWW6/>>, Aug. 6, 2021. 1 page. (Year: 2020).*

(Continued)

Primary Examiner — Christy Nemeth

(74) *Attorney, Agent, or Firm* — Amin, Turocy & Watson, LLP

(57) **CLAIM**

The ornamental design for a battery charger for earphone, as shown and described.

DESCRIPTION

FIG. 1 is a right, front, and top perspective view of a battery charger for earphone;

FIG. 2 is a left, rear, and top perspective view thereof;

FIG. 3 is a front elevational view thereof;

FIG. 4 is a rear elevational view thereof;

FIG. 5 is a top plan view thereof;

FIG. 6 is a bottom plan view thereof;

FIG. 7 is a left side elevational view thereof;

FIG. 8 is a right side elevational view thereof;

FIG. 9 is a right, front, and top perspective view thereof, showing the state that the lid is opened;

FIG. 10 is a left, rear, and top perspective view thereof, showing the state that the lid is opened;

FIG. 11 is a front elevational view thereof, showing the state that the lid is opened;

FIG. 12 is a rear elevational view thereof, showing the state that the lid is opened;

FIG. 13 is a top plan view thereof, showing the state that the lid is opened;

FIG. 14 is a bottom plan view thereof, showing the state that the lid is opened;

FIG. 15 is a left side elevational view thereof, showing the state that the lid is opened;

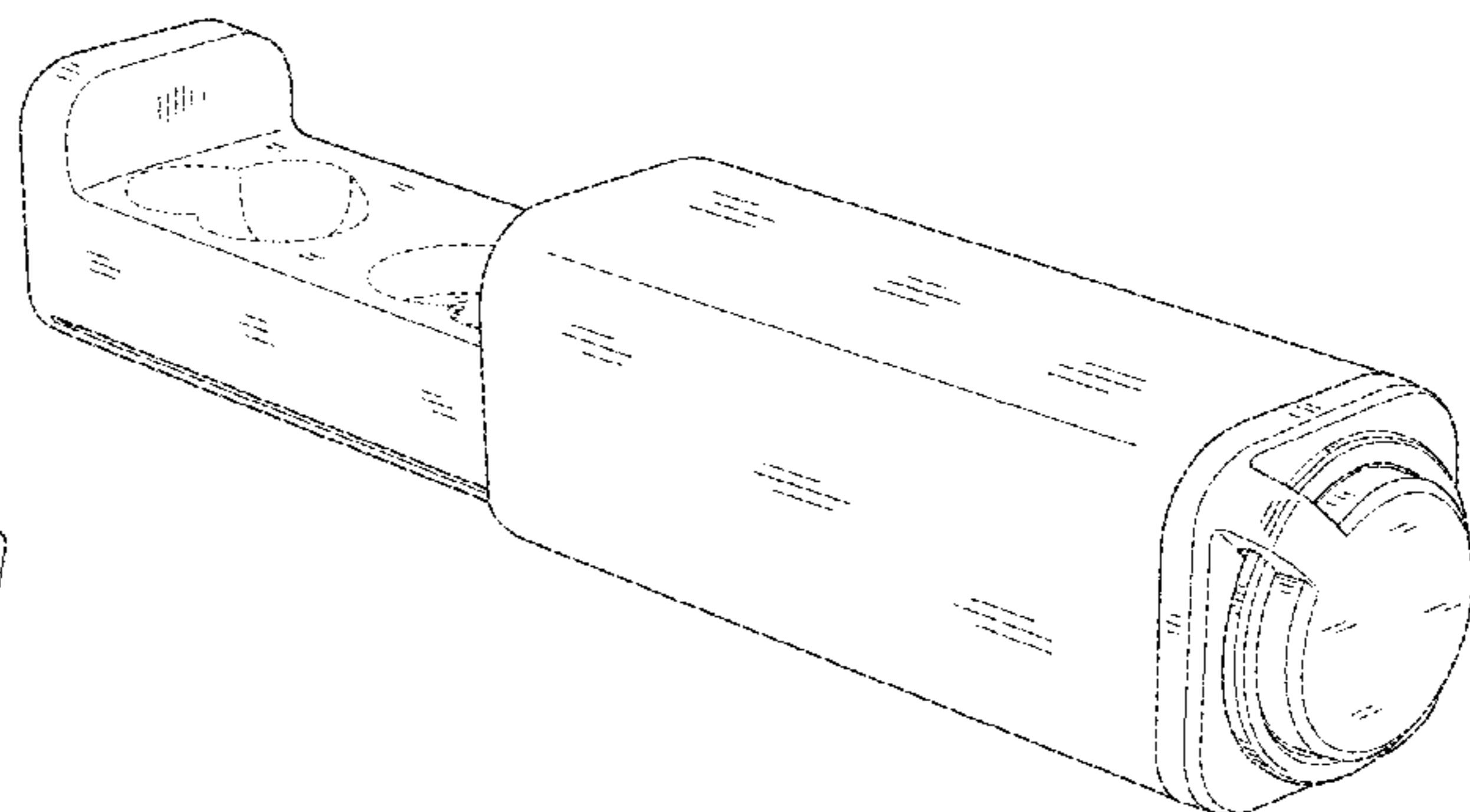
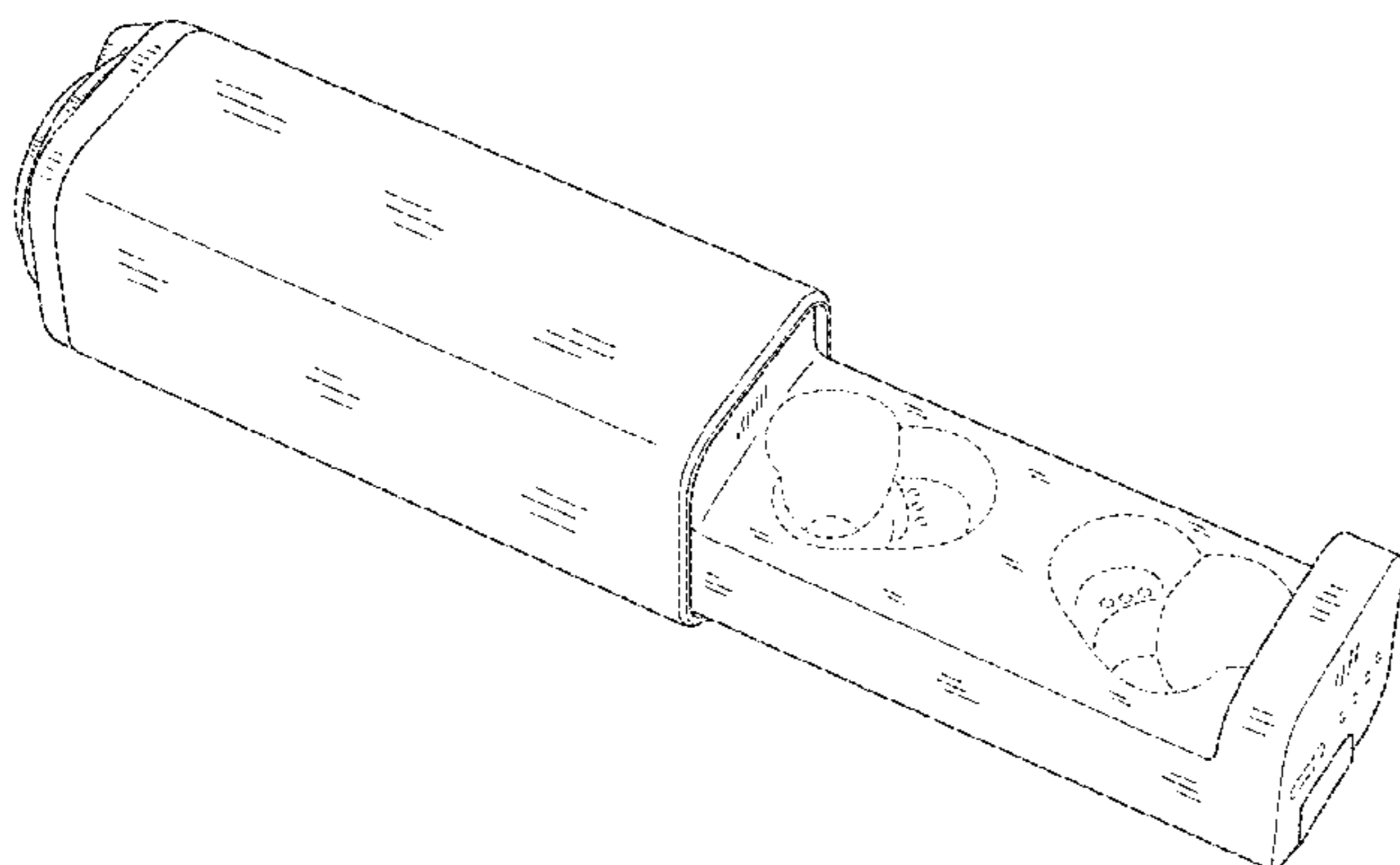
FIG. 16 is a right side elevational view thereof, showing the state that the lid is opened;

FIG. 17 is a cross-sectional view taken along line 17-17 in FIG. 5; and,

FIG. 18 is a cross-sectional view taken along line 18-18 in FIG. 3.

The broken lines in the drawings are for the purpose of illustrating portions of the battery charger for earphone that form no part of the claimed design.

1 Claim, 18 Drawing Sheets



(58) **Field of Classification Search**

CPC Y02E 60/12; H02J 7/025; H02J 7/0042;
H02J 7/0044; H02J 7/0045; H02J 7/0003;
H02J 7/0027; H02J 7/0013; H02J 7/0054;
H02J 7/00; H02J 3/32; H02J 3/008; H02J
2001/008; H01F 38/14; H01R 13/6675;
H01M 2/1022; H01M 2/1055; H01M
10/44; H01M 10/46; H01M 10/425;
B60R 16/03; B60L 11/1809; B60L
11/1861; B60L 11/182

See application file for complete search history.

(56) **References Cited**

U.S. PATENT DOCUMENTS

D780,113	S	*	2/2017	Xianxi	D13/103
D810,016	S	*	2/2018	von Badinski	D13/108
D843,938	S	*	3/2019	Park	D13/108
D864,110	S	*	10/2019	Yoshimura	D13/108
D866,461	S	*	11/2019	Arimoto	D13/108
D888,663	S	*	6/2020	Weng	D13/108
D889,399	S	*	7/2020	Zou	D13/107
D924,130	S	*	7/2021	Zhang	D13/108

OTHER PUBLICATIONS

Parenting.com: JVC-XX . . . Publish date of Aug. 6, 2021. Retrieved from the internet at <<https://www.parenting.com/shop/jvc-jvc-xx-wireless-in-ear-headphones-with-deep-bass-bluetooth-5-0-compatible-with-aptx-charging-case-included-black-pccde7cafe95f9781c1a6861a209bab4f.htm>>, Aug. 6, 2021. 1 page. (Year: 2021).*

* cited by examiner

Fig.1

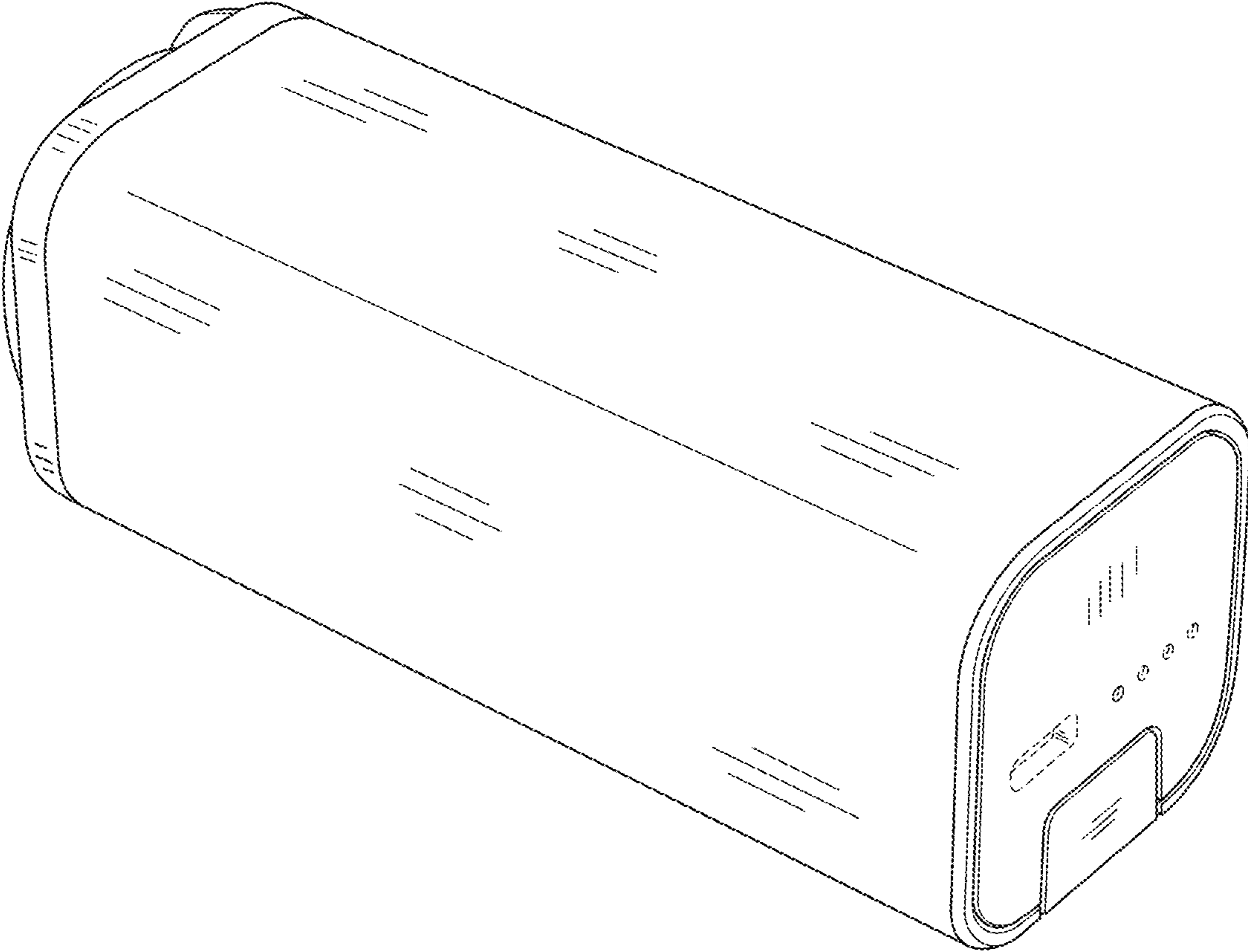


Fig.2

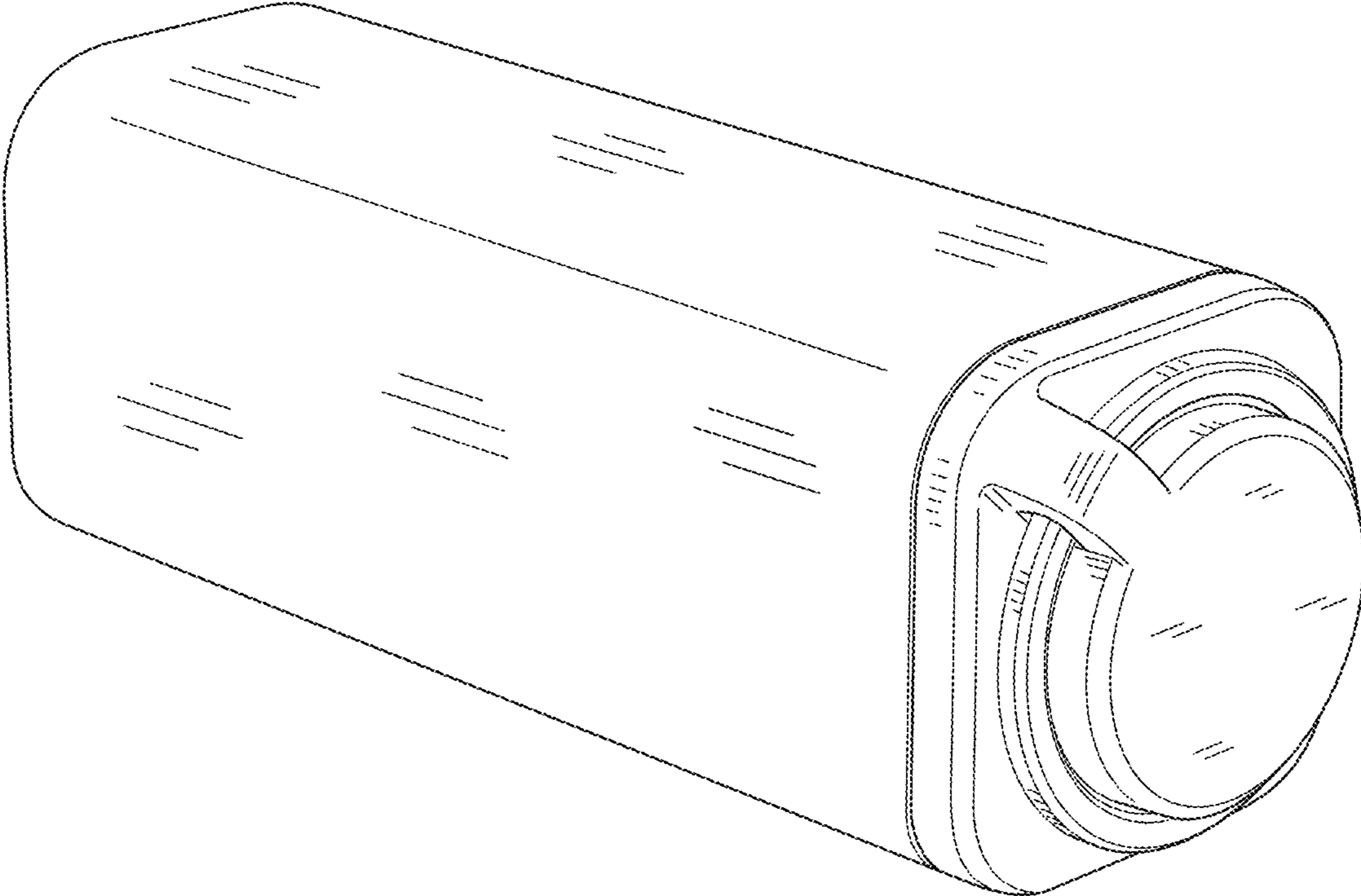


Fig.3

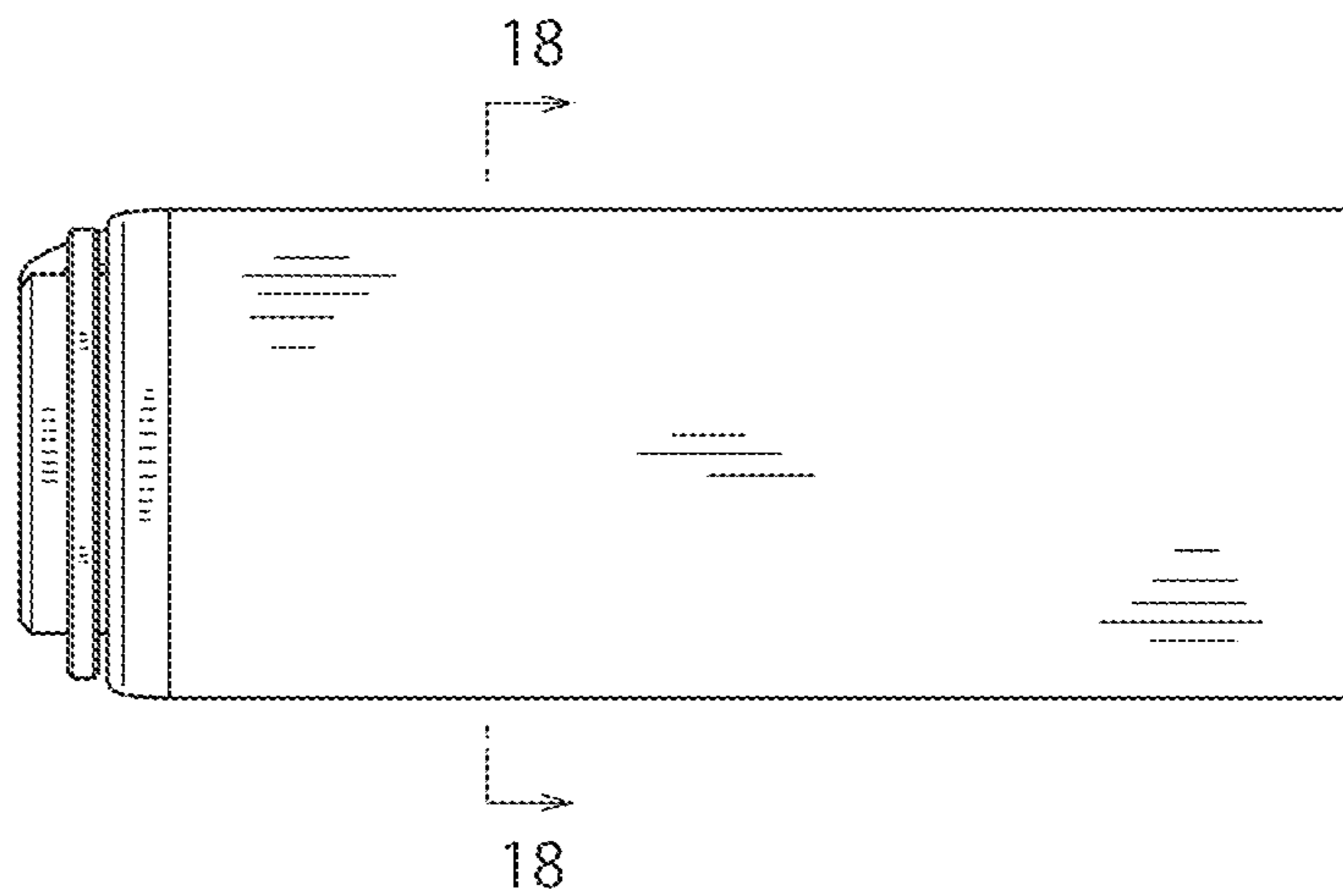


Fig.4

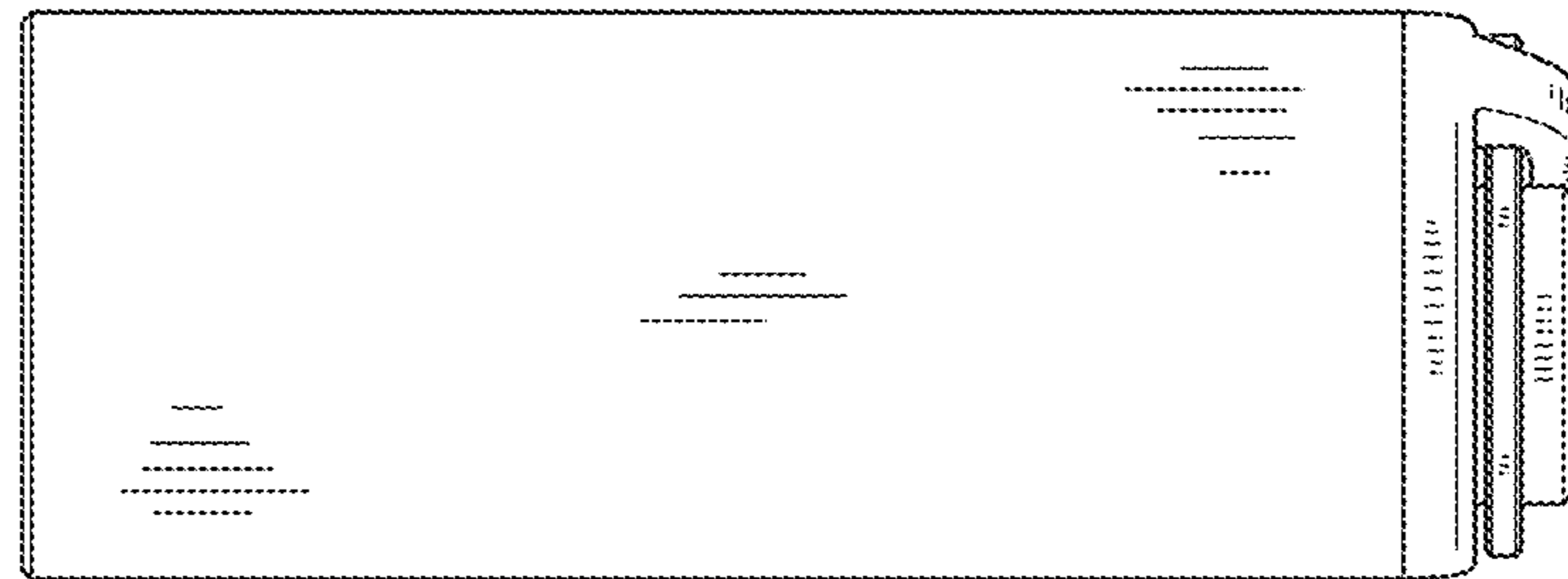


Fig.5

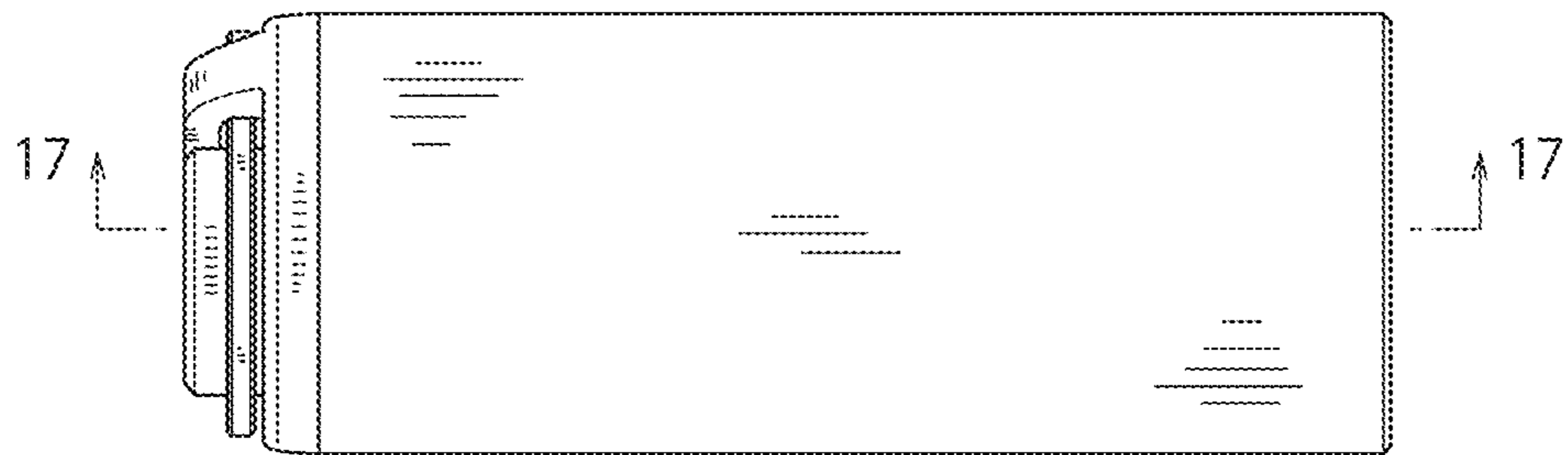


Fig.6

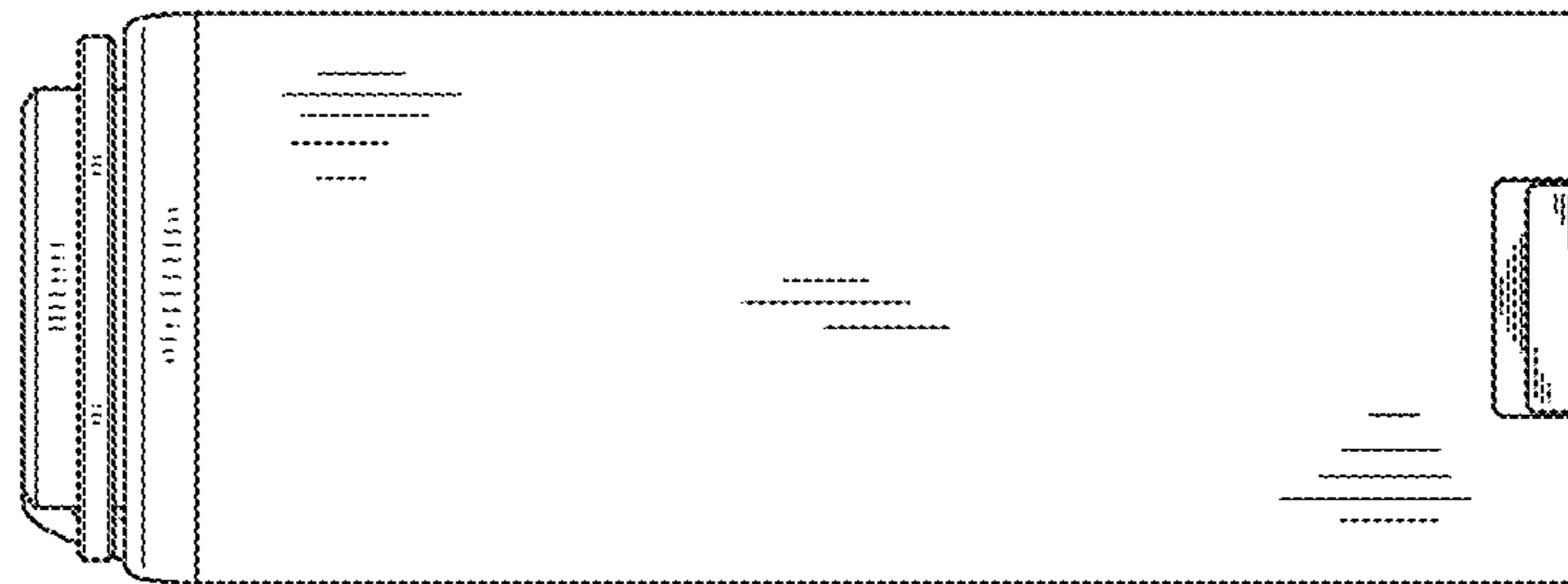


Fig.7

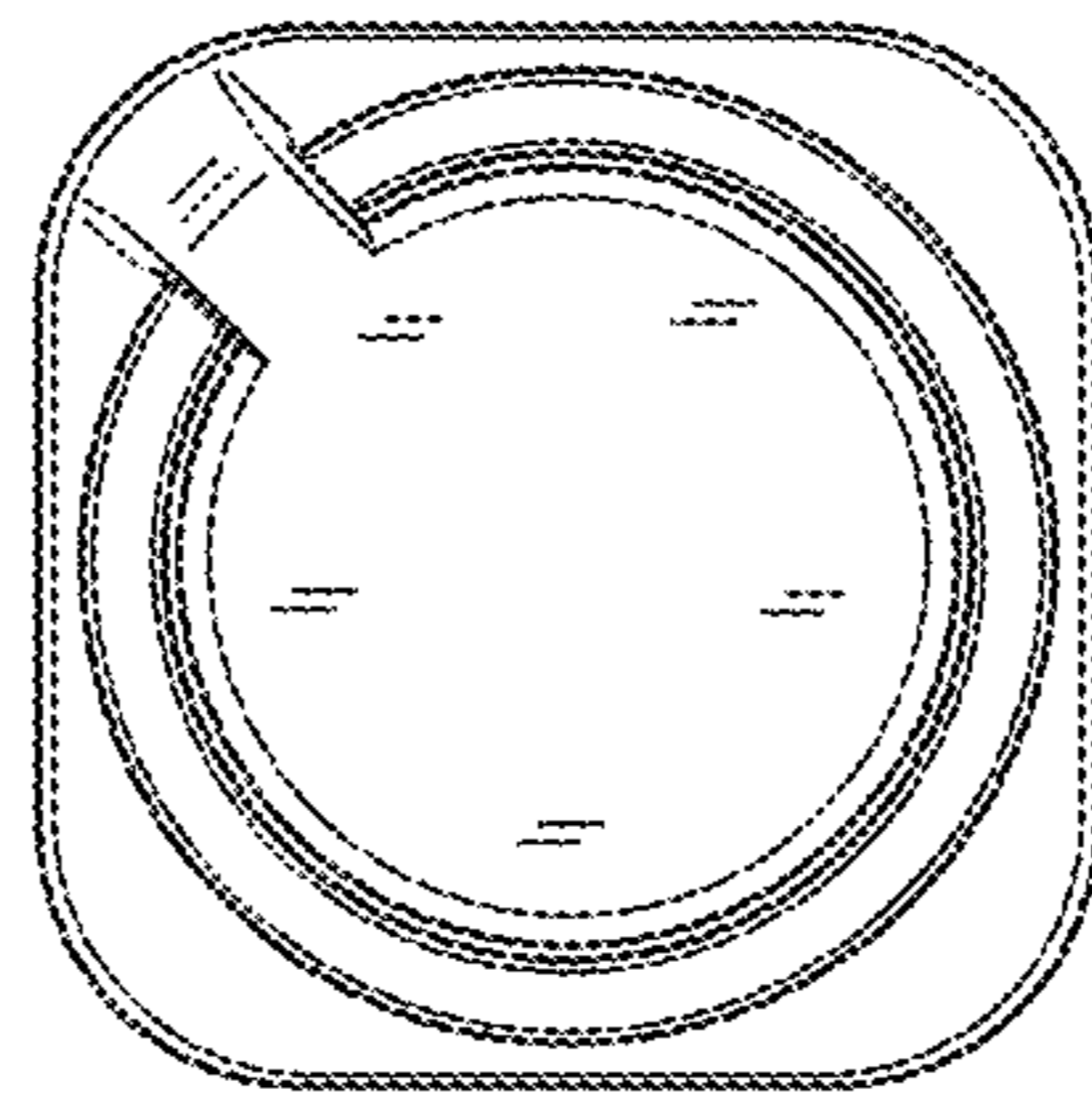


Fig.8

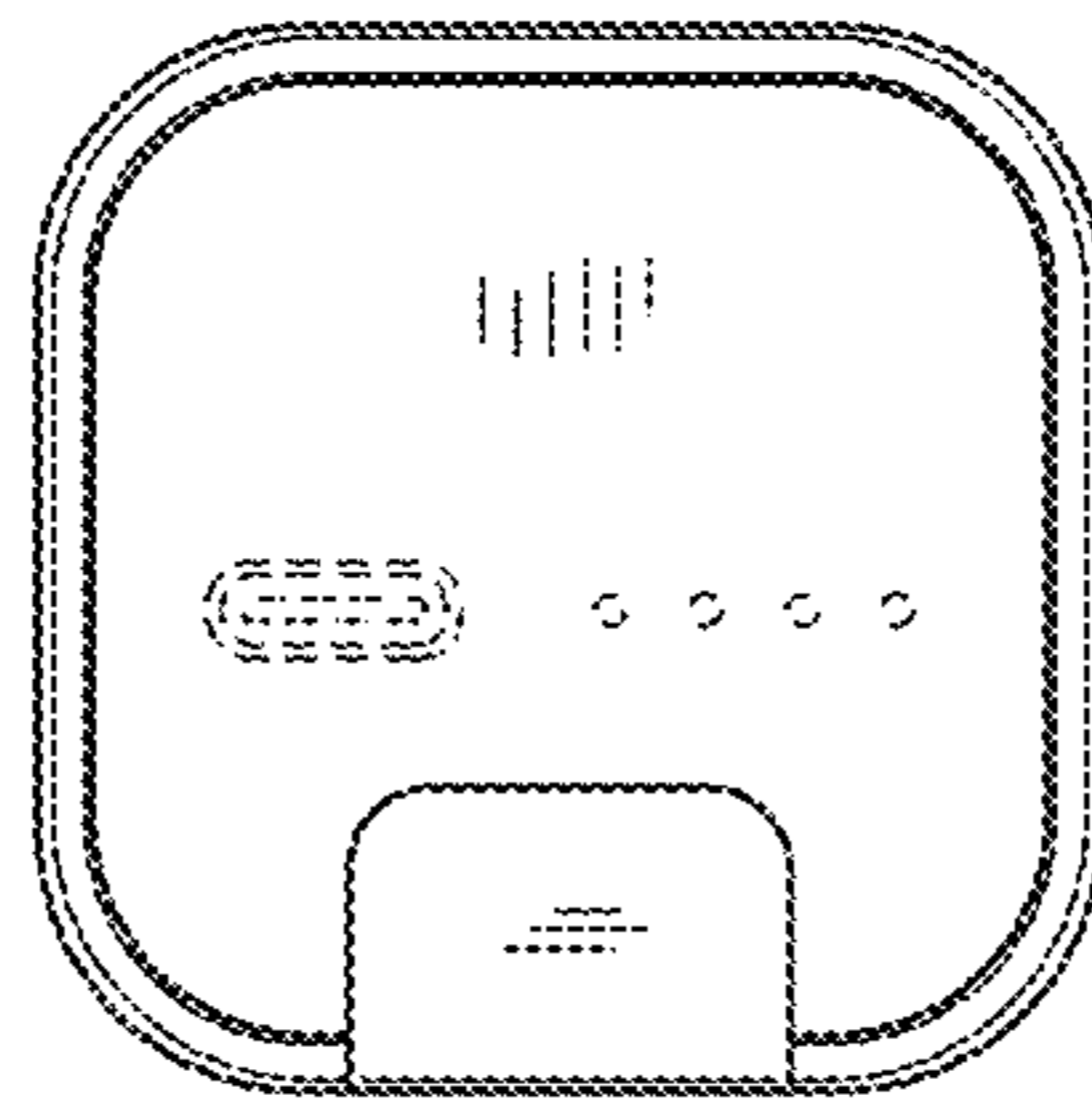


Fig.9

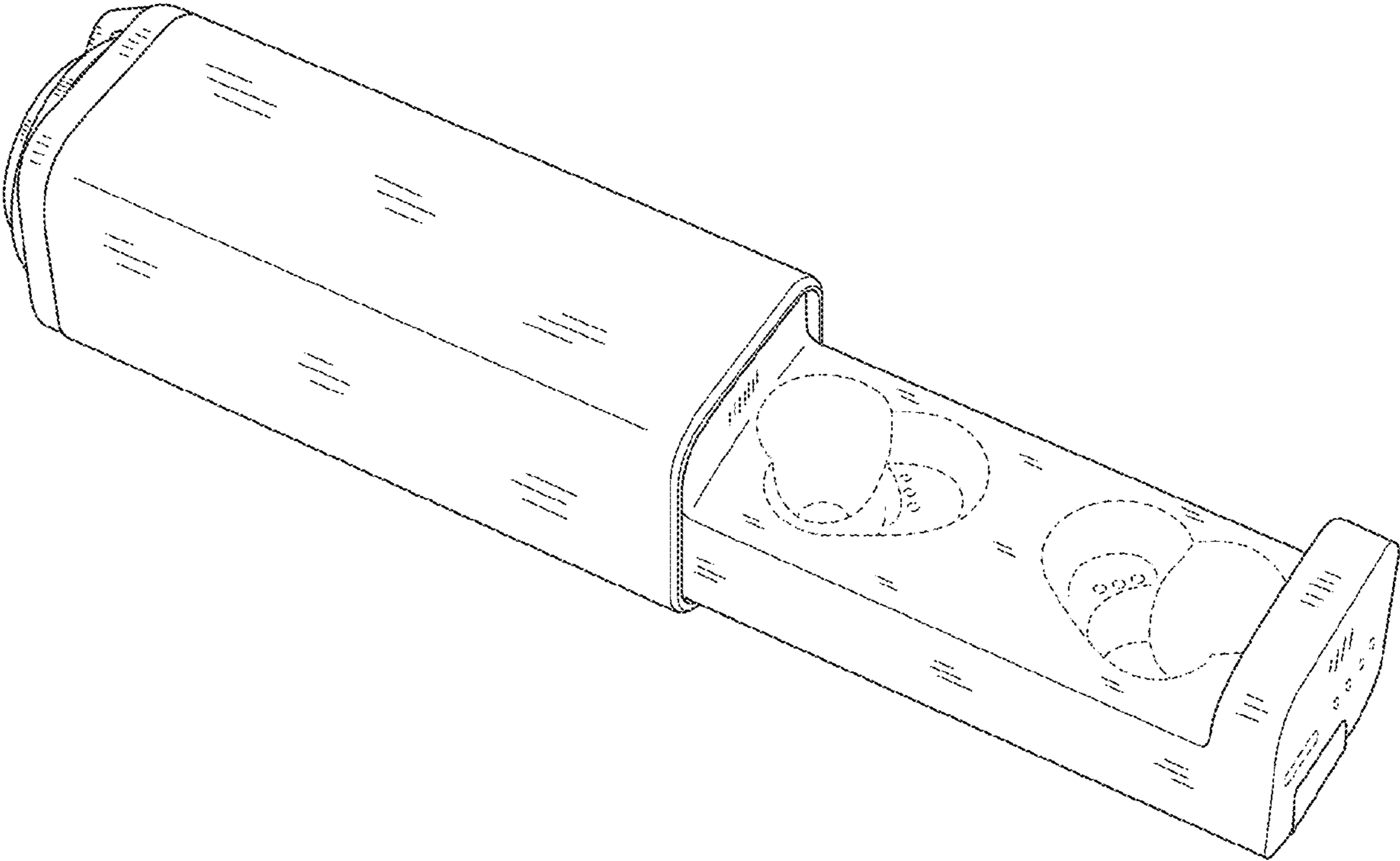


Fig.10

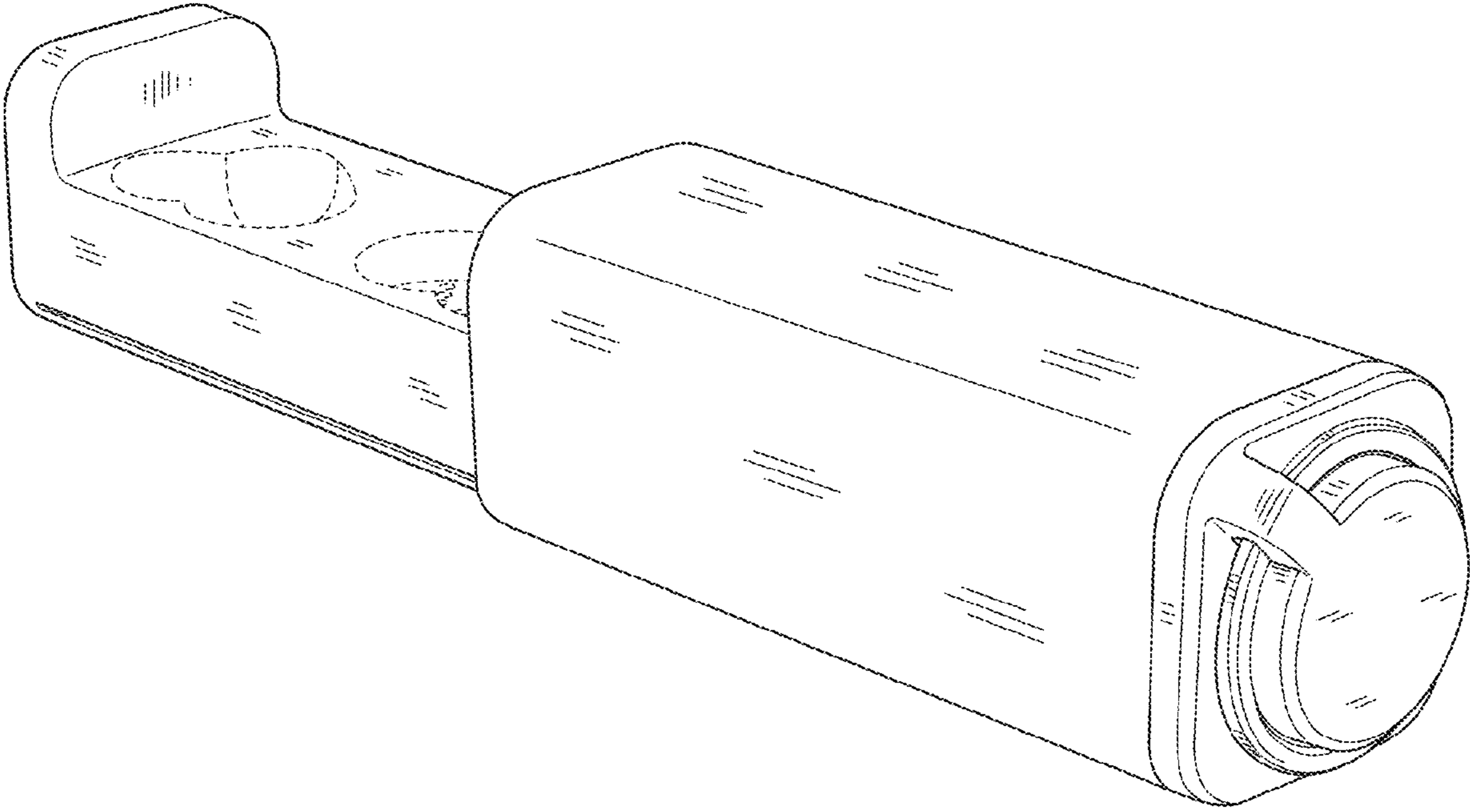


Fig. 11

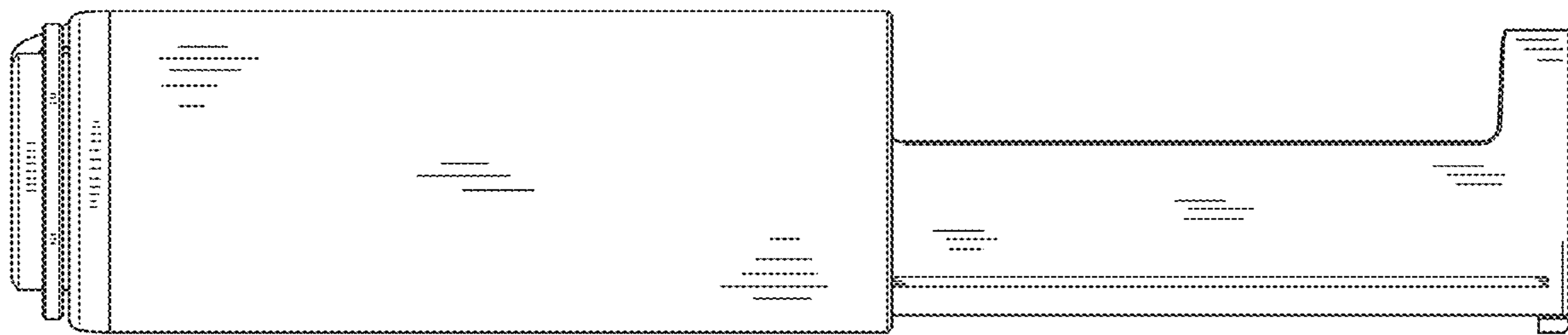


Fig. 12

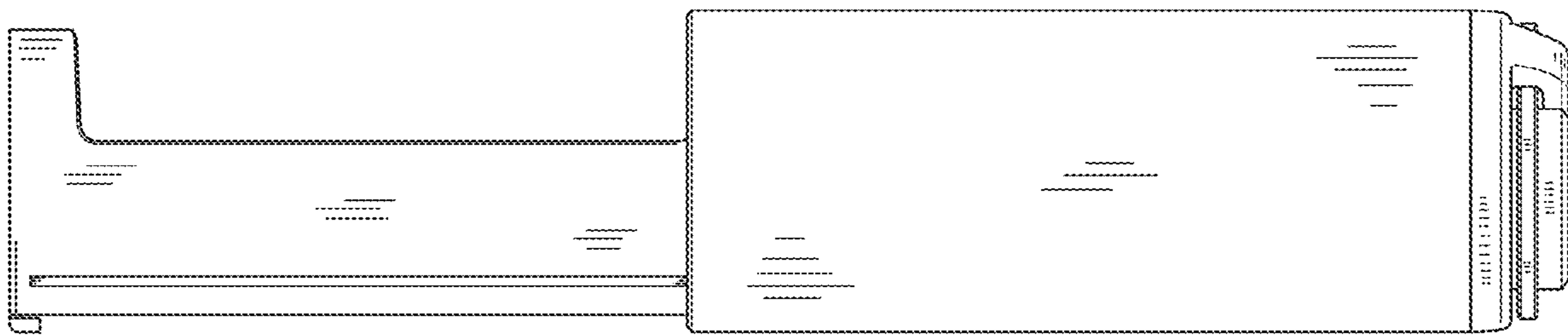


Fig. 13

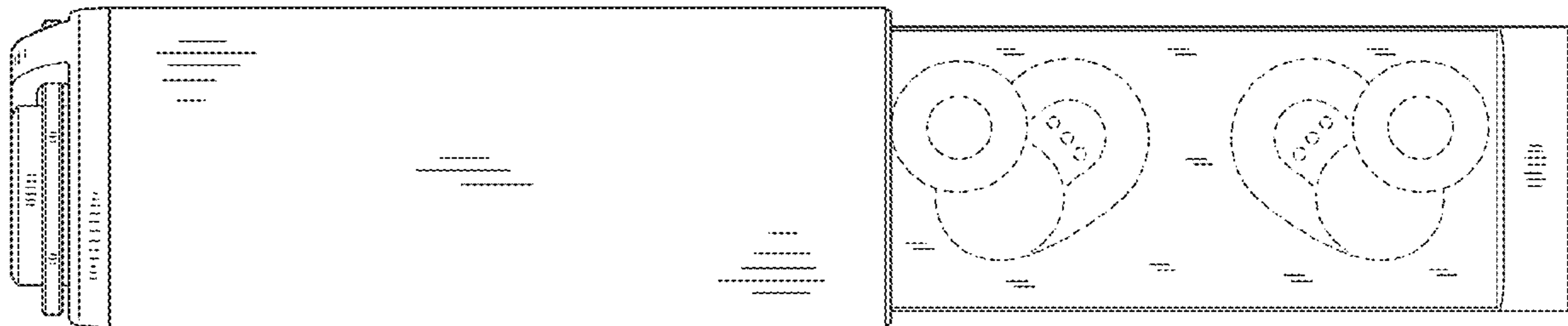


Fig. 14

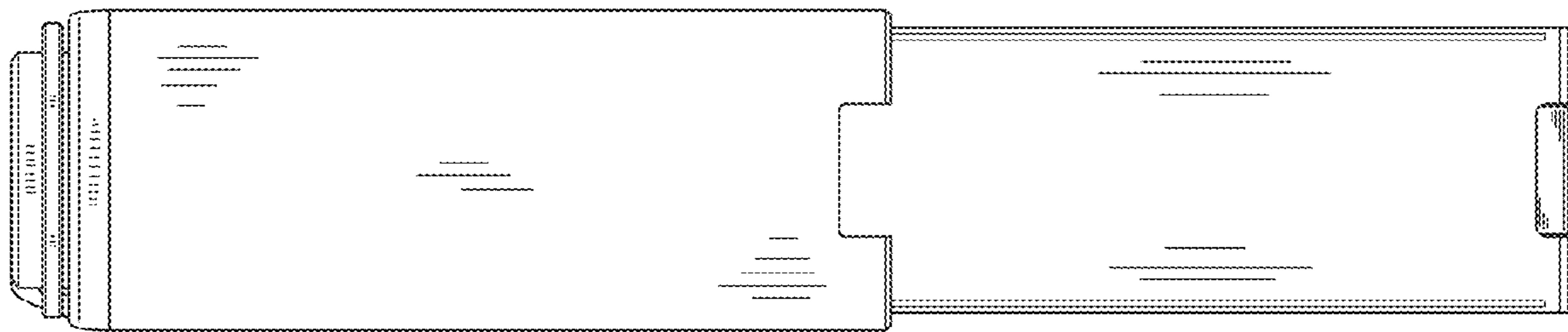


Fig. 15

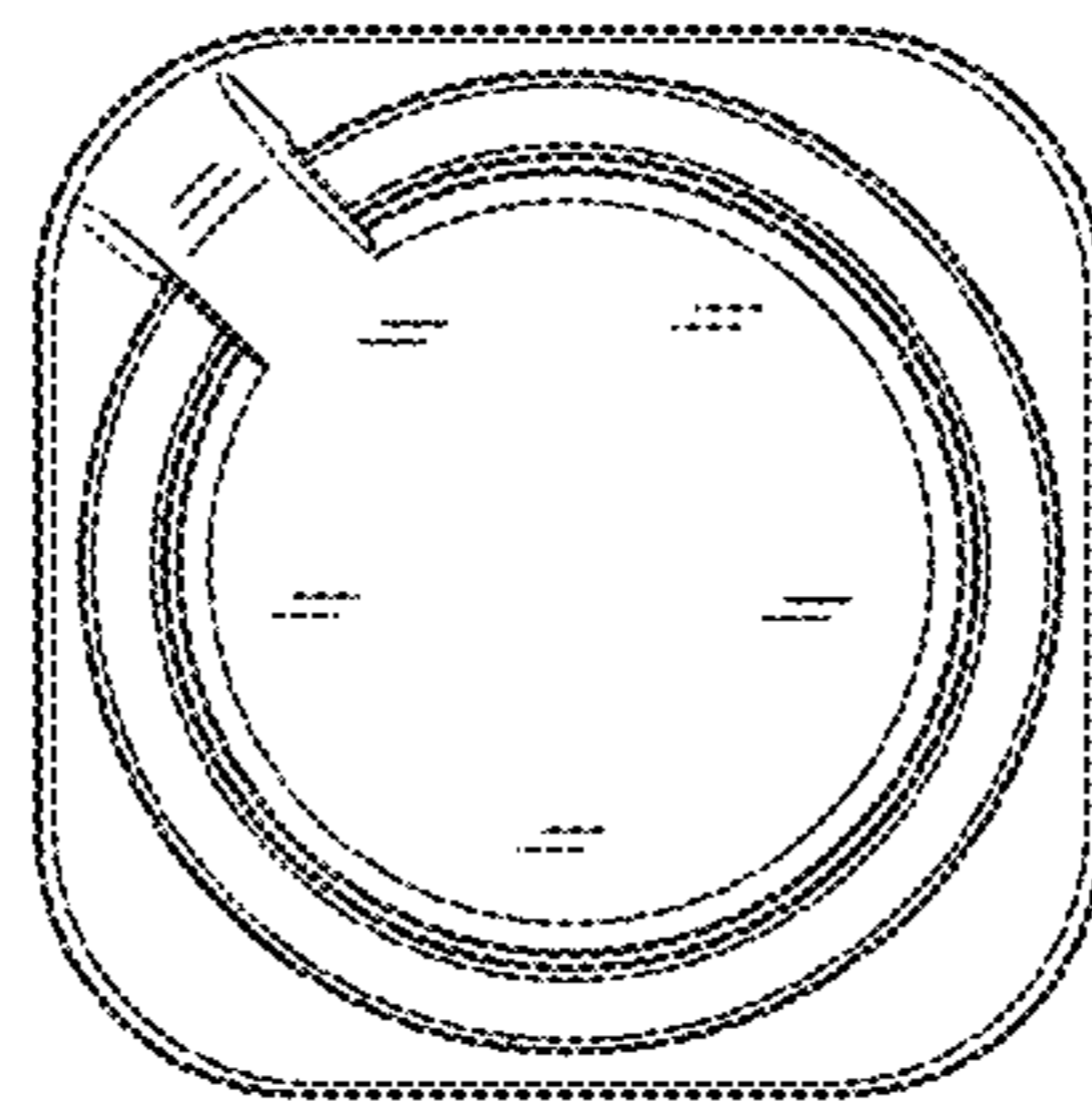


Fig. 16

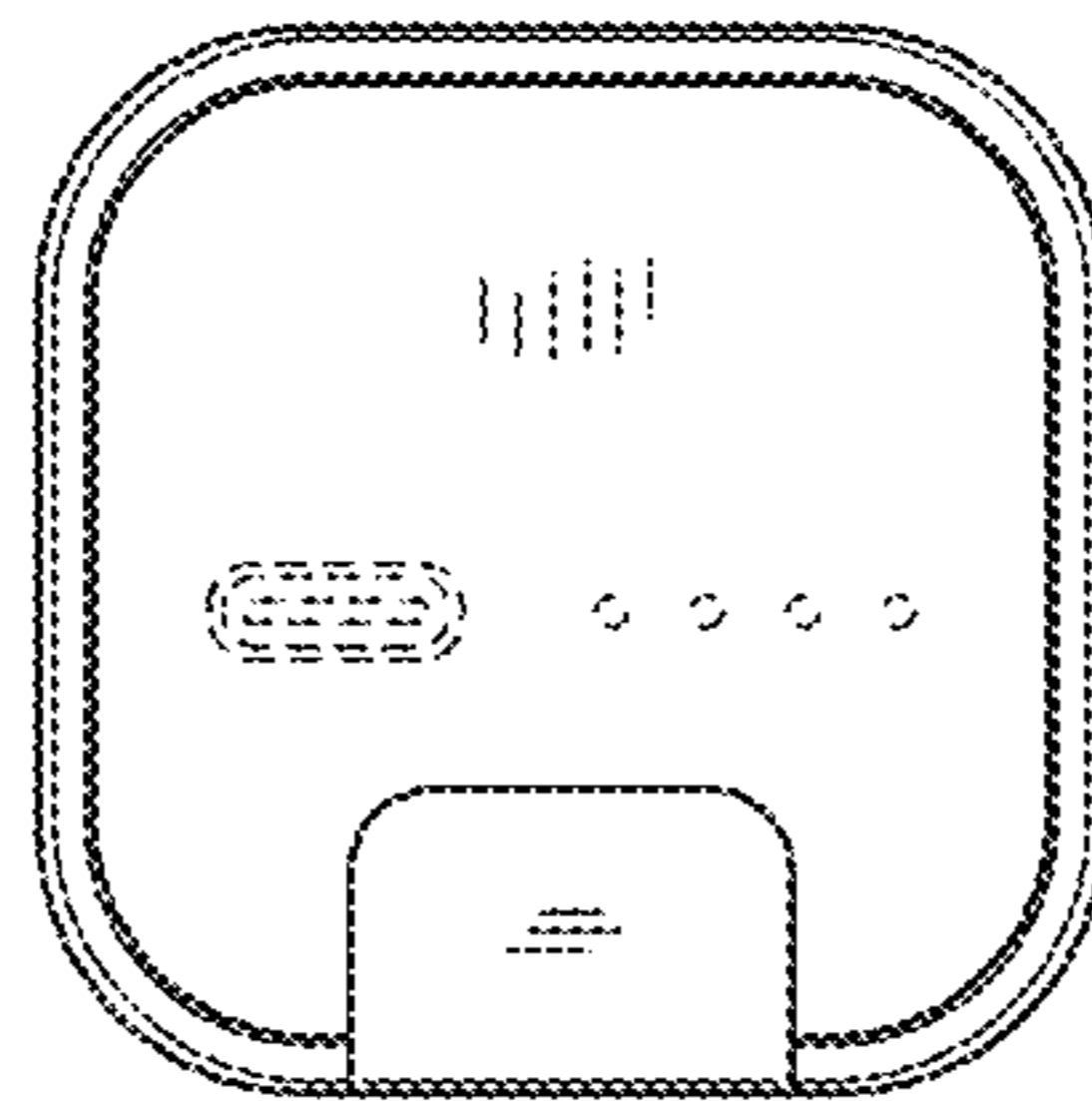


Fig.17

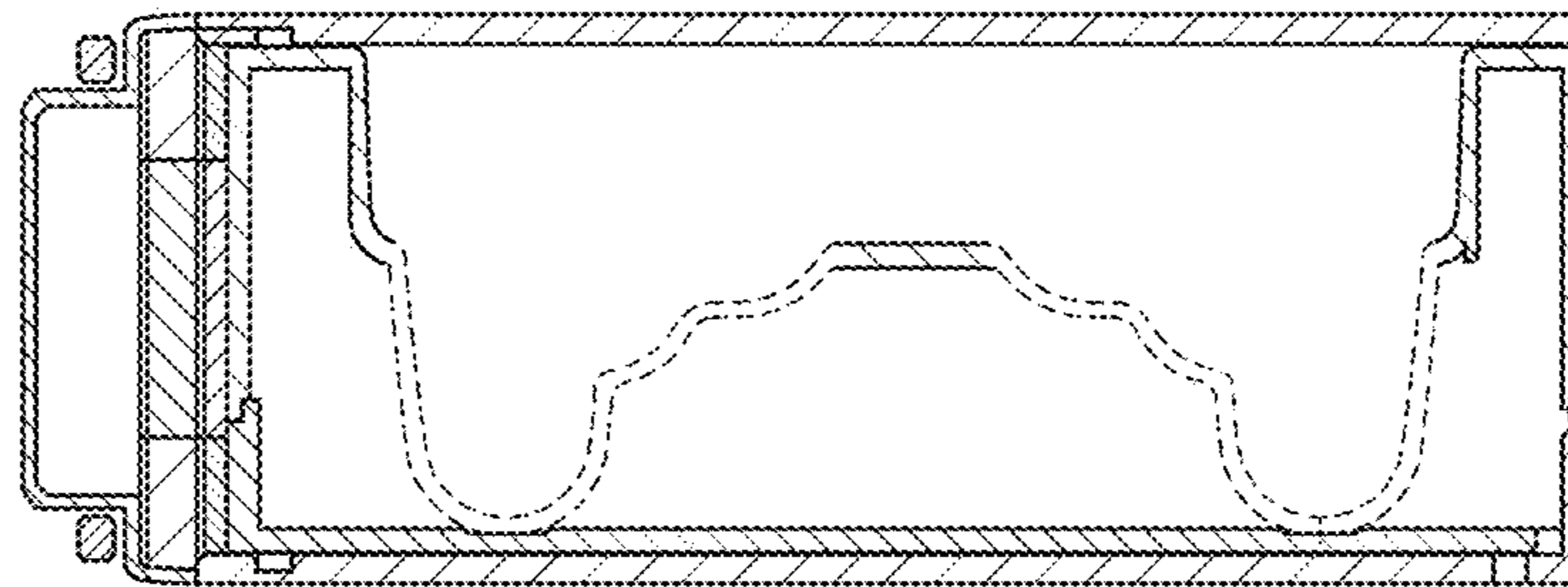


Fig. 18

