



US00D946510S

(12) **United States Design Patent**
Xuan

(10) **Patent No.:** **US D946,510 S**
(45) **Date of Patent:** **** Mar. 22, 2022**

(54) **JUMP STARTER**

(71) Applicant: **HEFEI ECOLITE SOFTWARE CO., LTD.**, Hefei (CN)

(72) Inventor: **Xuan Xuan**, Hefei (CN)

(73) Assignee: **HEFEI ECOLITE SOFTWARE CO., LTD.**, Hefei (CN)

(**) Term: **15 Years**

(21) Appl. No.: **29/744,015**

(22) Filed: **Jul. 27, 2020**

(30) **Foreign Application Priority Data**

Jul. 20, 2020 (CN) 202030395458.8

(51) **LOC (13) Cl.** **13-02**

(52) **U.S. Cl.**
USPC **D13/107**

(58) **Field of Classification Search**

USPC D13/102-110, 118, 119, 184, 199;
D14/251, 253, 432, 434
CPC H01M 10/44; H01M 10/46; H01M 10/465;
H01M 10/482; H01M 10/4257; H01M
10/0436; H01M 10/48; H01M 2200/30;
H01M 2250/30; H01M 2250/40; Y02T
10/7005; Y02T 10/705; Y02T 10/7088;
Y02E 60/10; Y02E 60/12; Y02E 60/122;
Y02E 60/124; Y02E 60/50; H02J 7/00;
H02J 7/0003; H02J 7/0011; H02J 7/0013;
H02J 7/0054; H02J 7/0055; H02J 7/0057;
H02J 7/0034; H02J 7/1423; H02J
2001/006

See application file for complete search history.

(56) **References Cited**

U.S. PATENT DOCUMENTS

D713,786 S * 9/2014 Wen D13/108
D743,332 S * 11/2015 Ju D13/108

D753,059 S * 4/2016 Krantz D13/110
D776,050 S * 1/2017 Awad D13/102
D813,162 S * 3/2018 Krantz D13/110
D821,310 S * 6/2018 Krantz D13/110
D832,781 S * 11/2018 Nook D13/107
D873,215 S * 1/2020 Wu D13/108
D875,677 S * 2/2020 Shi D13/108
D881,807 S * 4/2020 Xu D13/108
D883,923 S * 5/2020 Keferstein D13/108
D883,924 S * 5/2020 Chen D13/108
D885,330 S * 5/2020 Gan D13/107
D896,749 S * 9/2020 Wu D13/107
D899,354 S * 10/2020 Liu D13/102
D902,847 S * 11/2020 Sexton D13/107
D902,851 S * 11/2020 Wu D13/107
D909,968 S * 2/2021 Chen D13/108
D917,391 S * 4/2021 Su D13/108
D918,830 S * 5/2021 Chen D13/108
D919,572 S * 5/2021 Lei D13/110
D922,318 S * 6/2021 Miller D13/108

(Continued)

Primary Examiner — Christy Nemeth

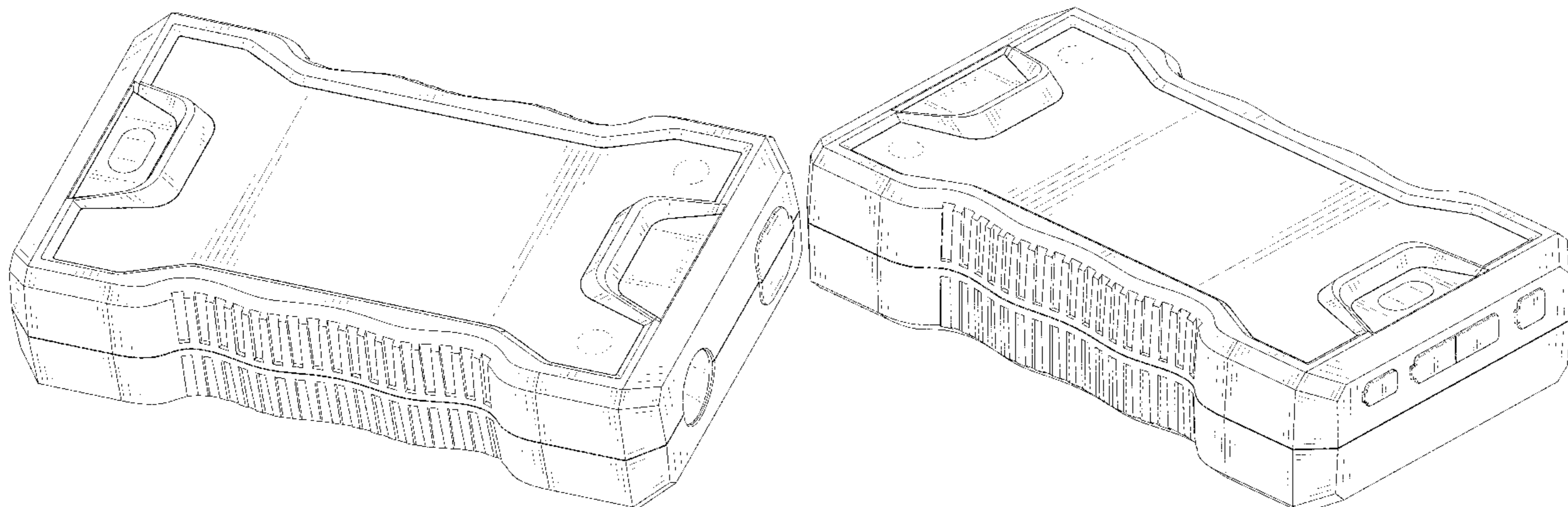
(57) **CLAIM**

The ornamental design for a jump starter, as shown and described.

DESCRIPTION

FIG. 1 is a perspective view of a jump starter showing my new design;
FIG. 2 is another perspective view thereof;
FIG. 3 is a front elevational view thereof;
FIG. 4 is a rear elevational view thereof;
FIG. 5 is a left side elevational view thereof;
FIG. 6 is a right side elevational view thereof;
FIG. 7 is a top plan view thereof; and,
FIG. 8 is a bottom plan view thereof.
The broken lines in the drawings depict portions of the jump starter that form no part of the claimed design.

1 Claim, 8 Drawing Sheets



(56)

References Cited

U.S. PATENT DOCUMENTS

D926,123 S *	7/2021	Zhu	D13/107
D926,124 S *	7/2021	Zhu	D13/107
D930,578 S *	9/2021	Zheng	D13/107
D931,806 S *	9/2021	Chen	D13/108
D934,793 S *	11/2021	Shu	D13/107
D934,796 S *	11/2021	Liao	D13/108

* cited by examiner

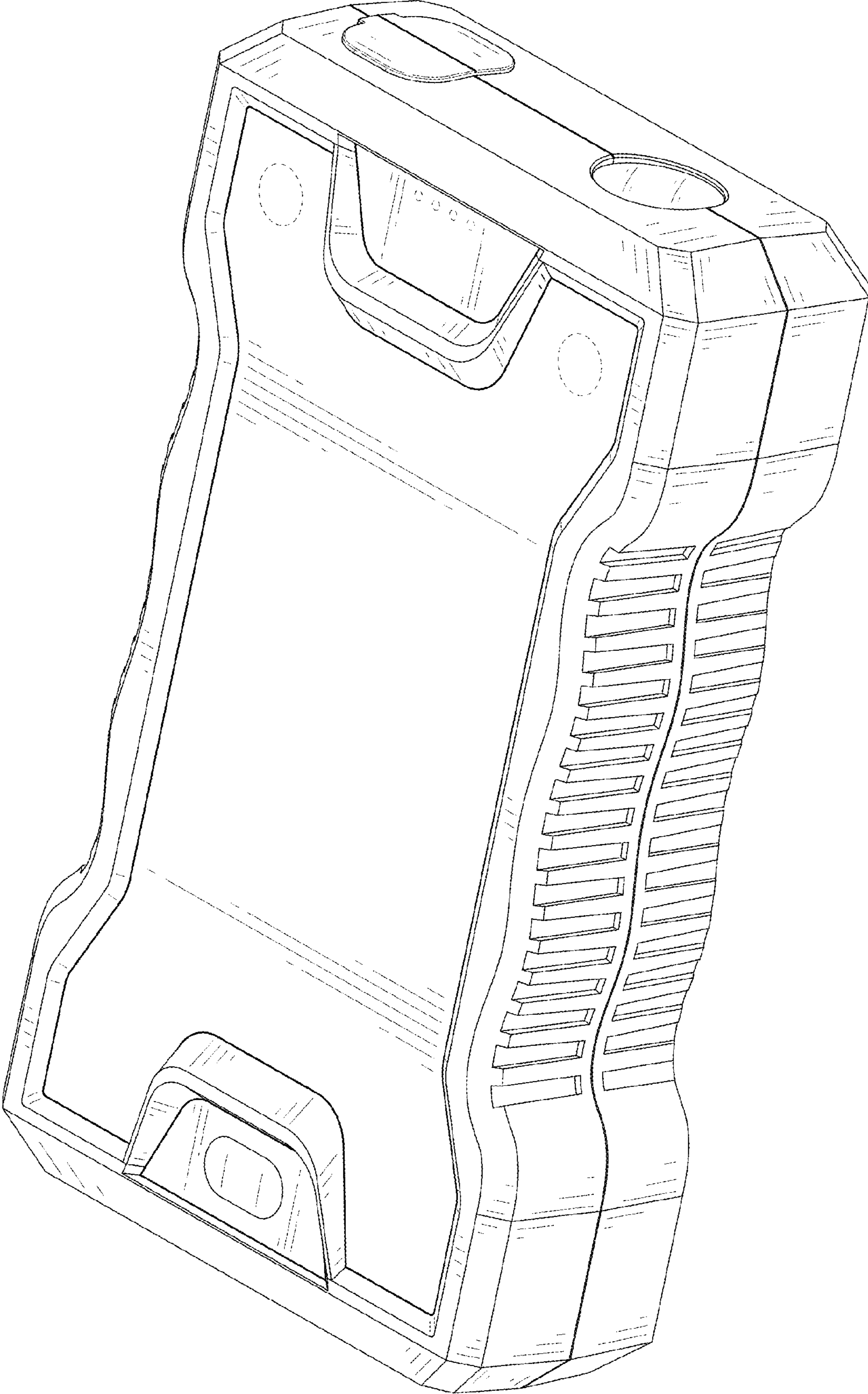


FIG. 1

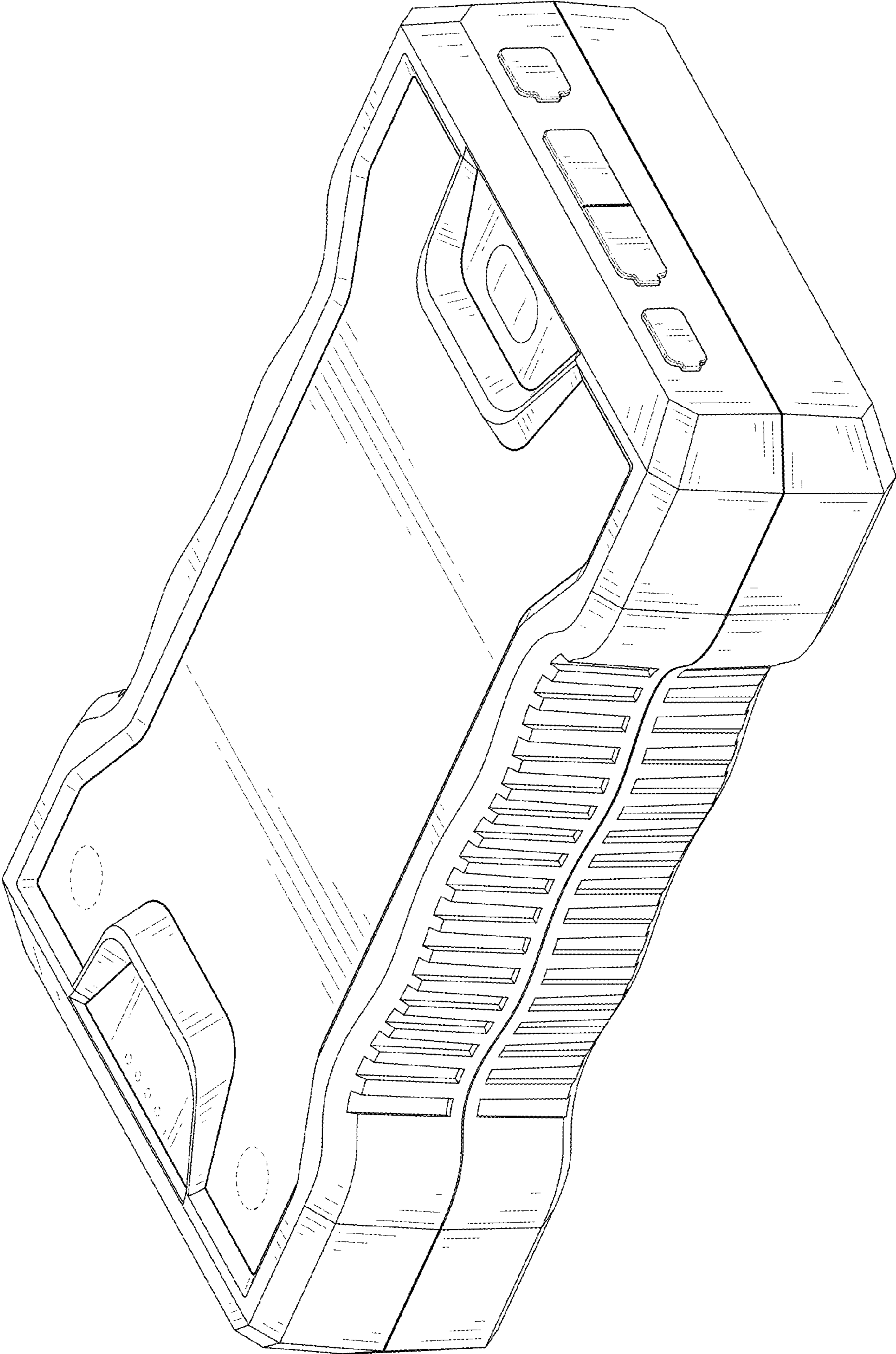


FIG. 2

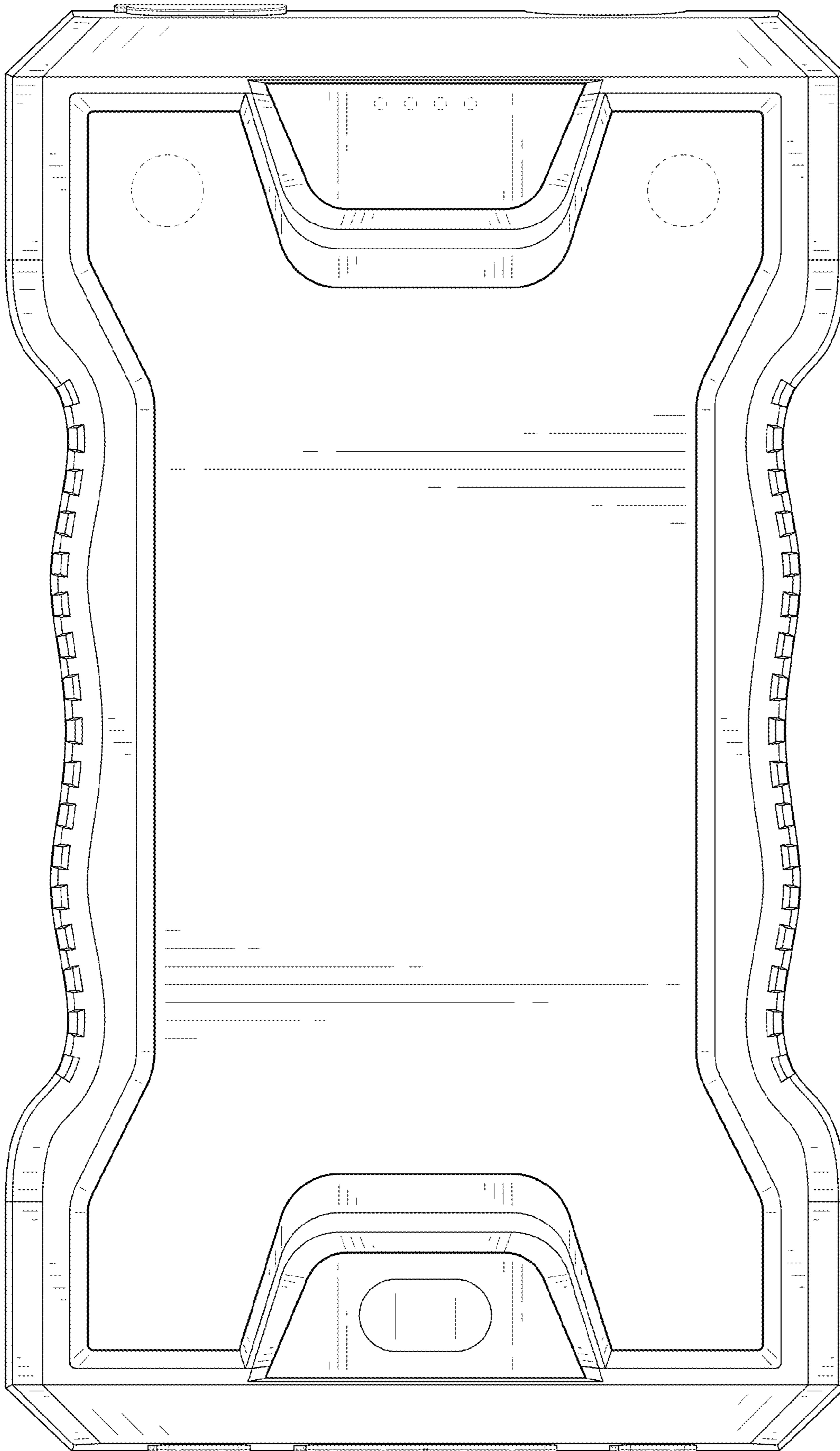


FIG. 3

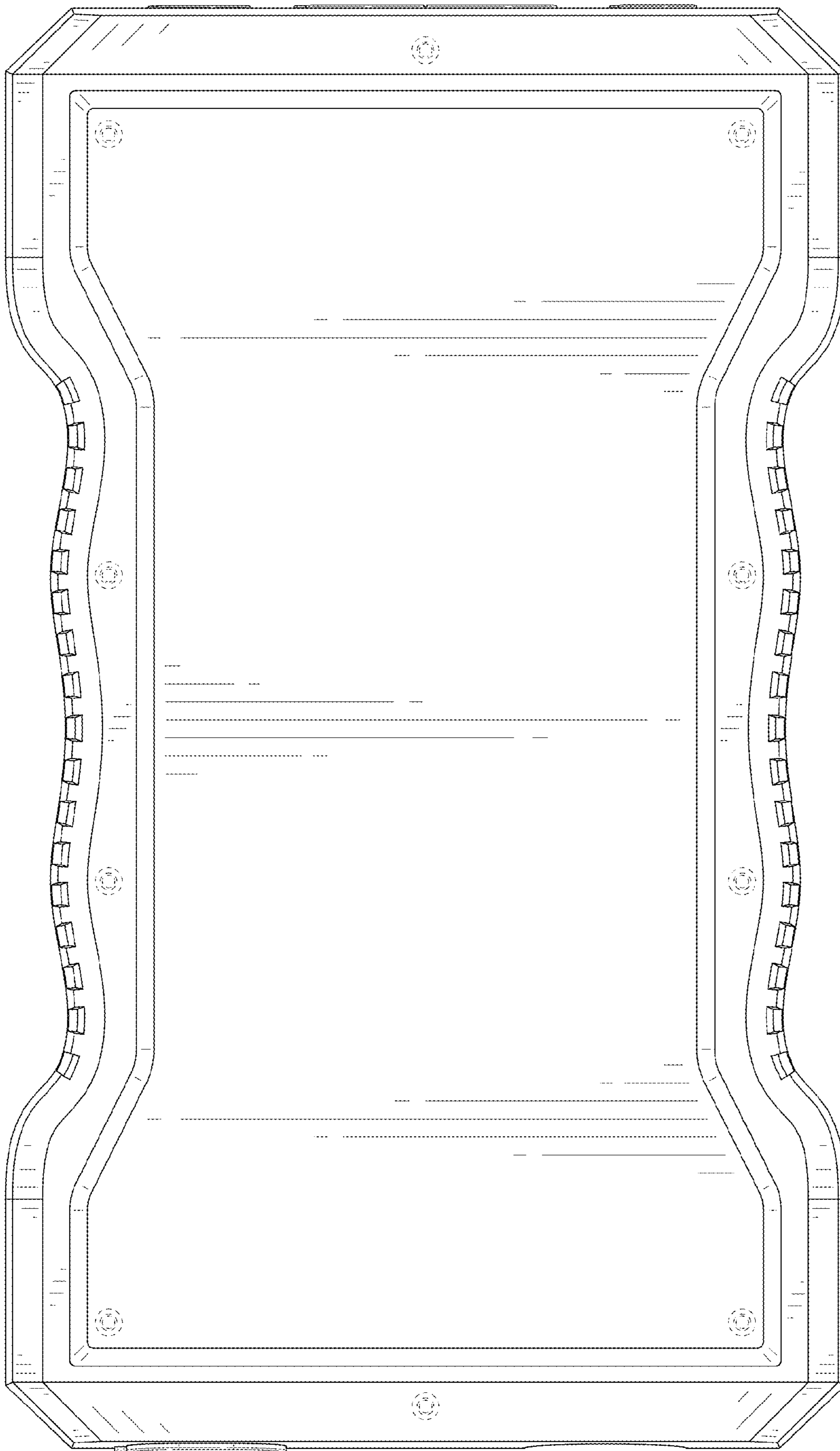


FIG. 4

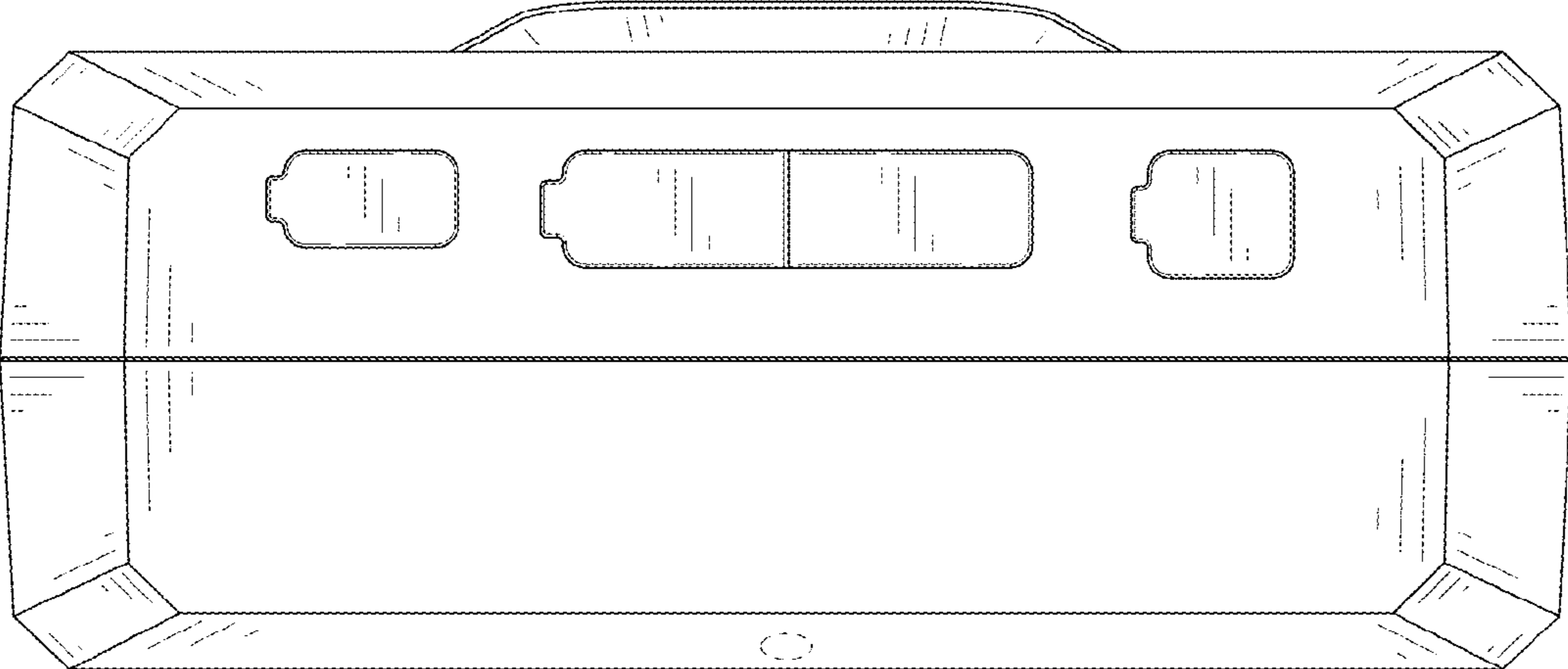


FIG. 5

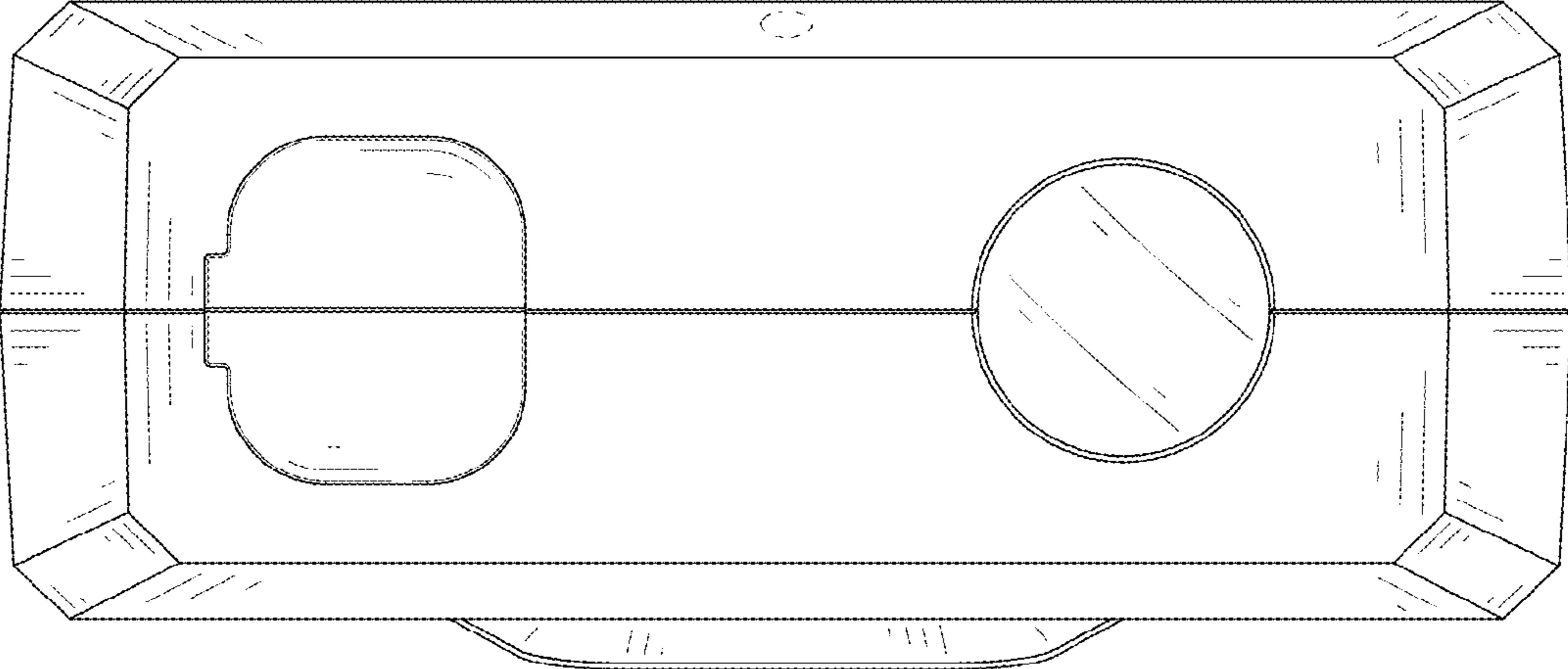


FIG. 6

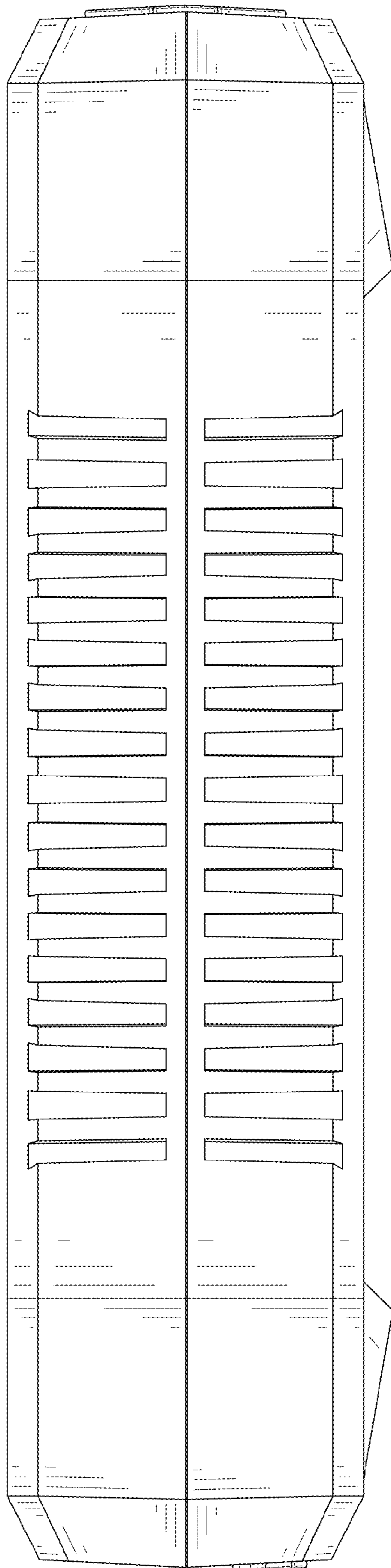


FIG. 7

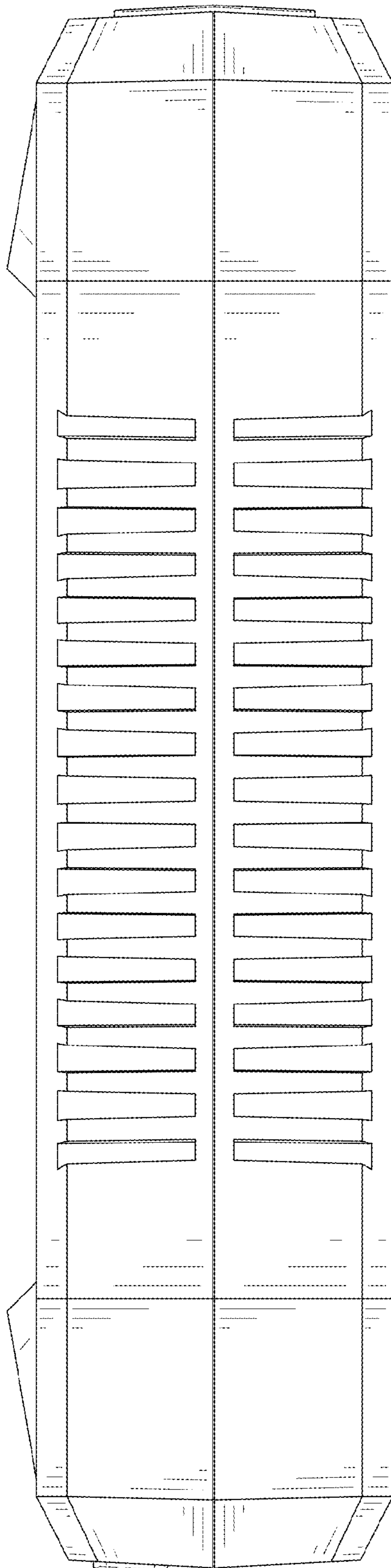


FIG. 8