



US00D946504S

(12) **United States Design Patent**  
**Qiu et al.**

(10) **Patent No.:** **US D946,504 S**  
(45) **Date of Patent:** **\*\* Mar. 22, 2022**

(54) **BATTERY PACK**

(71) Applicant: **Nanjing Chervon Industry Co., Ltd.**,  
Nanjing (CN)

(72) Inventors: **Xunzhuang Qiu**, Nanjing (CN);  
**Guillaume Keller**, Nanjing (CN)

(73) Assignee: **Nanjing Chervon Industry Co., Ltd.**,  
Nanjing (CN)

(\*\*) Term: **15 Years**

(21) Appl. No.: **29/748,986**

(22) Filed: **Sep. 2, 2020**

(30) **Foreign Application Priority Data**

Mar. 3, 2020 (CN) ..... 202030067852.9

(51) **LOC (13) Cl.** ..... **13-02**

(52) **U.S. Cl.**  
USPC ..... **D13/103**

(58) **Field of Classification Search**

USPC ..... D13/102–106, 110, 118–119, 184  
CPC . Y02E 60/10; H01M 2220/30; H01M 50/209;  
H01M 50/213; H01M 50/183; H01M  
50/10; H01M 50/529; H01M 50/531;  
H01M 10/0525; H01M 10/0436; H01M  
10/052; H01M 10/0565; H01M 10/30;  
H01M 10/345; H01M 10/425; H01M  
2010/0495; B25F 5/02; B25F 5/00; A61B  
2017/00734

See application file for complete search history.

(56) **References Cited**

**U.S. PATENT DOCUMENTS**

D555,086 S \* 11/2007 Zhang ..... D13/103  
D718,705 S \* 12/2014 Naksen ..... D13/103

D770,377 S \* 11/2016 Kondo ..... D13/103  
D818,948 S \* 5/2018 Waldron ..... D13/103  
D849,681 S \* 5/2019 Howell ..... D13/103  
D853,319 S \* 7/2019 Nommensen ..... D13/103  
D881,119 S \* 4/2020 Elder ..... D13/103  
D887,969 S \* 6/2020 Howell ..... D13/103  
D893,413 S \* 8/2020 Grulke ..... D13/103  
D894,118 S \* 8/2020 Liu ..... D13/103  
D894,827 S \* 9/2020 Watson ..... D13/103  
D911,267 S \* 2/2021 Matteo ..... D13/103  
D911,922 S \* 3/2021 Watson ..... D13/103

\* cited by examiner

*Primary Examiner* — Nathaniel D. Buckner

(74) *Attorney, Agent, or Firm* — Greenberg Traurig, LLP

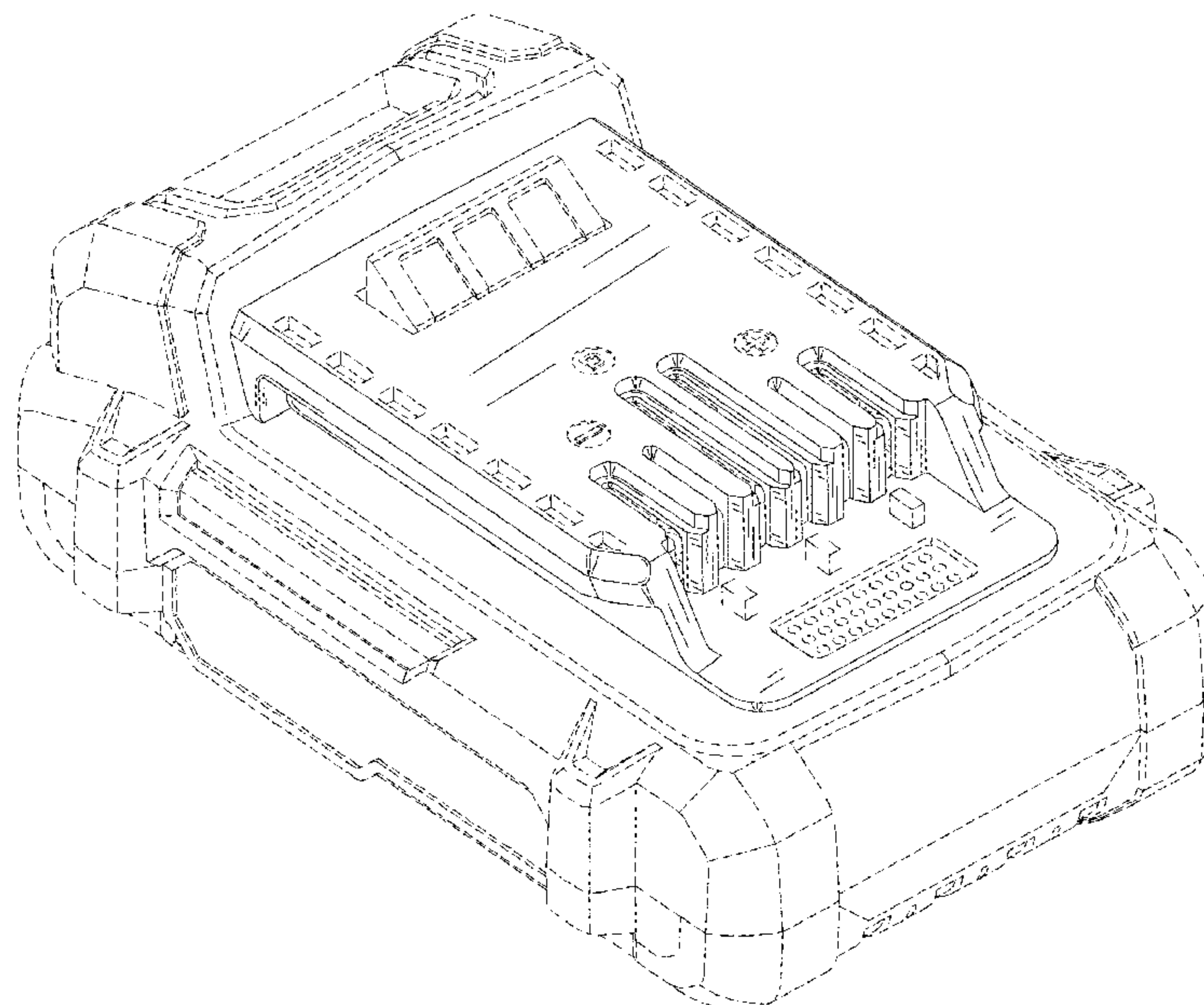
(57) **CLAIM**

What is claimed is the ornamental design for a battery pack,  
as shown and described.

**DESCRIPTION**

FIG. 1 is a first perspective view of a battery pack showing  
our new design;  
FIG. 2 is a right side elevational view thereof;  
FIG. 3 is a left side elevational view thereof;  
FIG. 4 is a rear side elevational view thereof;  
FIG. 5 is a front side elevation view thereof;  
FIG. 5 is a top plan view thereof;  
FIG. 6 is a top plan view thereof;  
FIG. 7 is a bottom plan view thereof;  
FIG. 8 is a second perspective view thereof; and,  
FIG. 9 is a third perspective view thereof.  
The broken lines in the figures depict portions of the article  
which form no part of the claimed design.

**1 Claim, 9 Drawing Sheets**



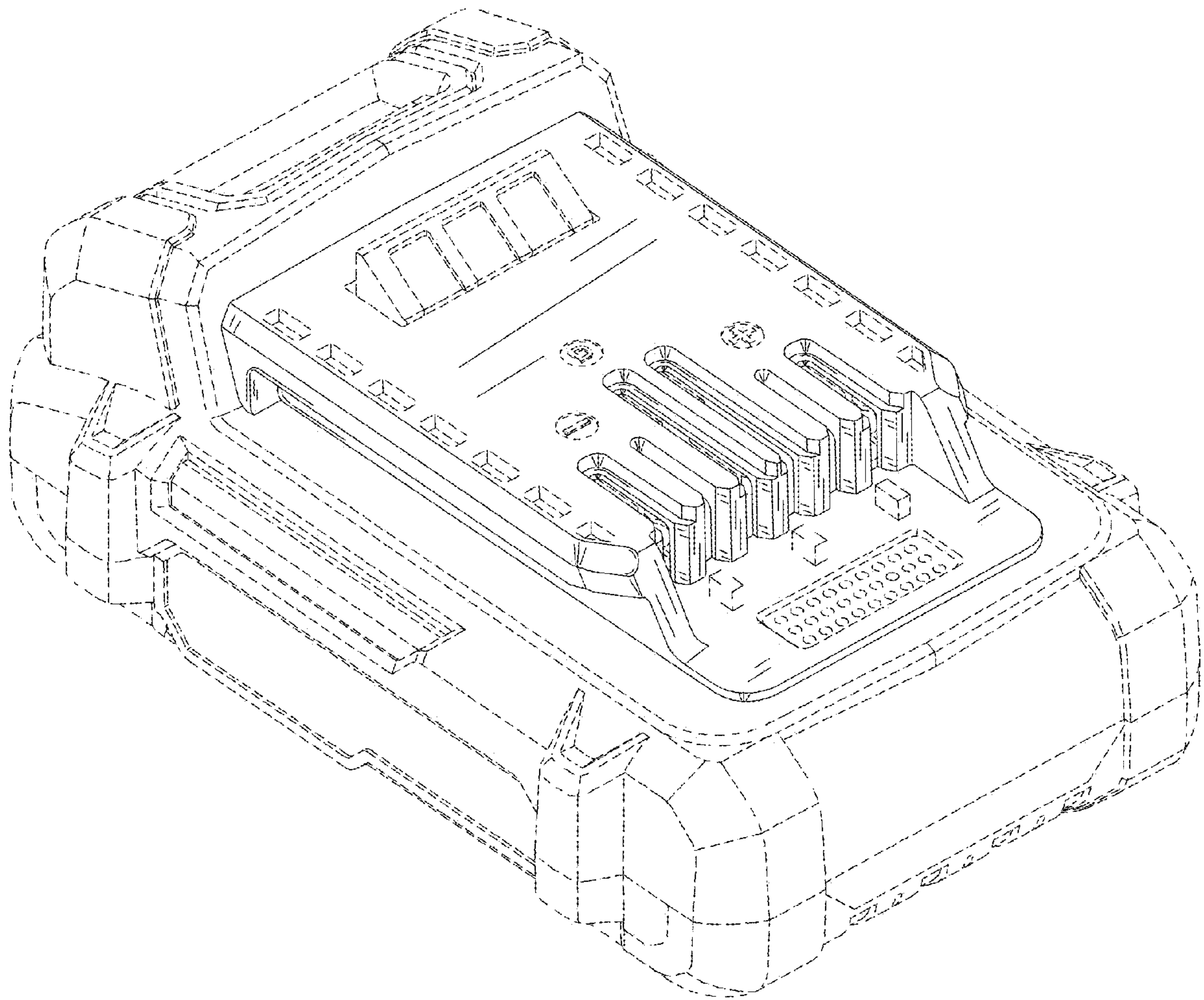


Fig. 1

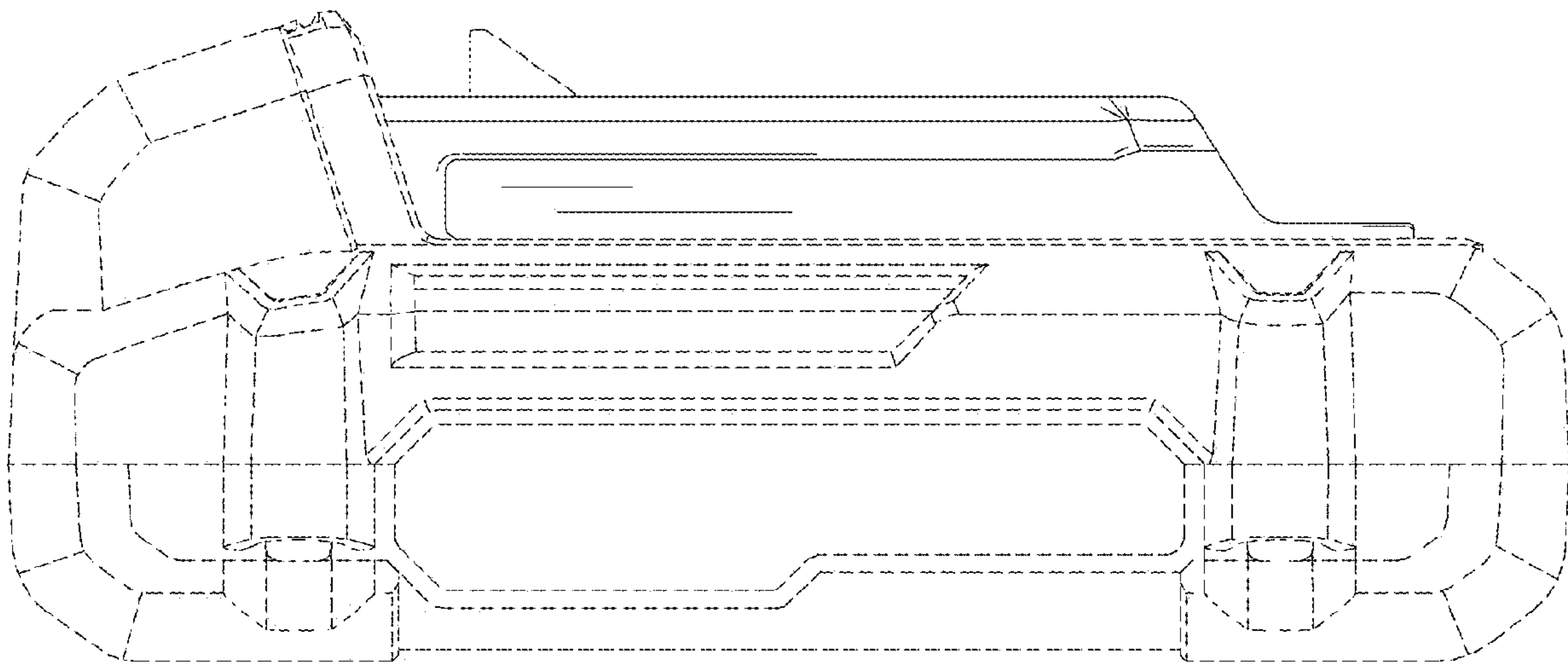


Fig. 2

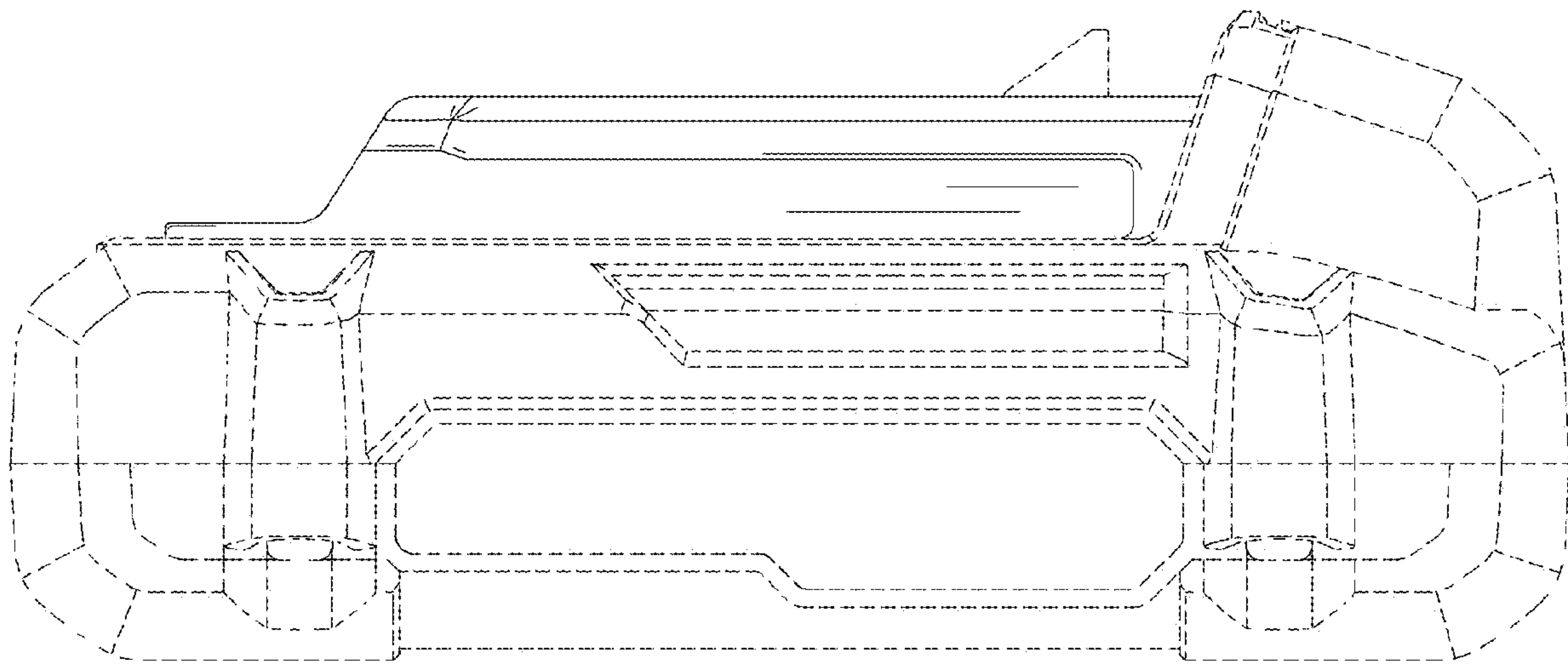


Fig. 3



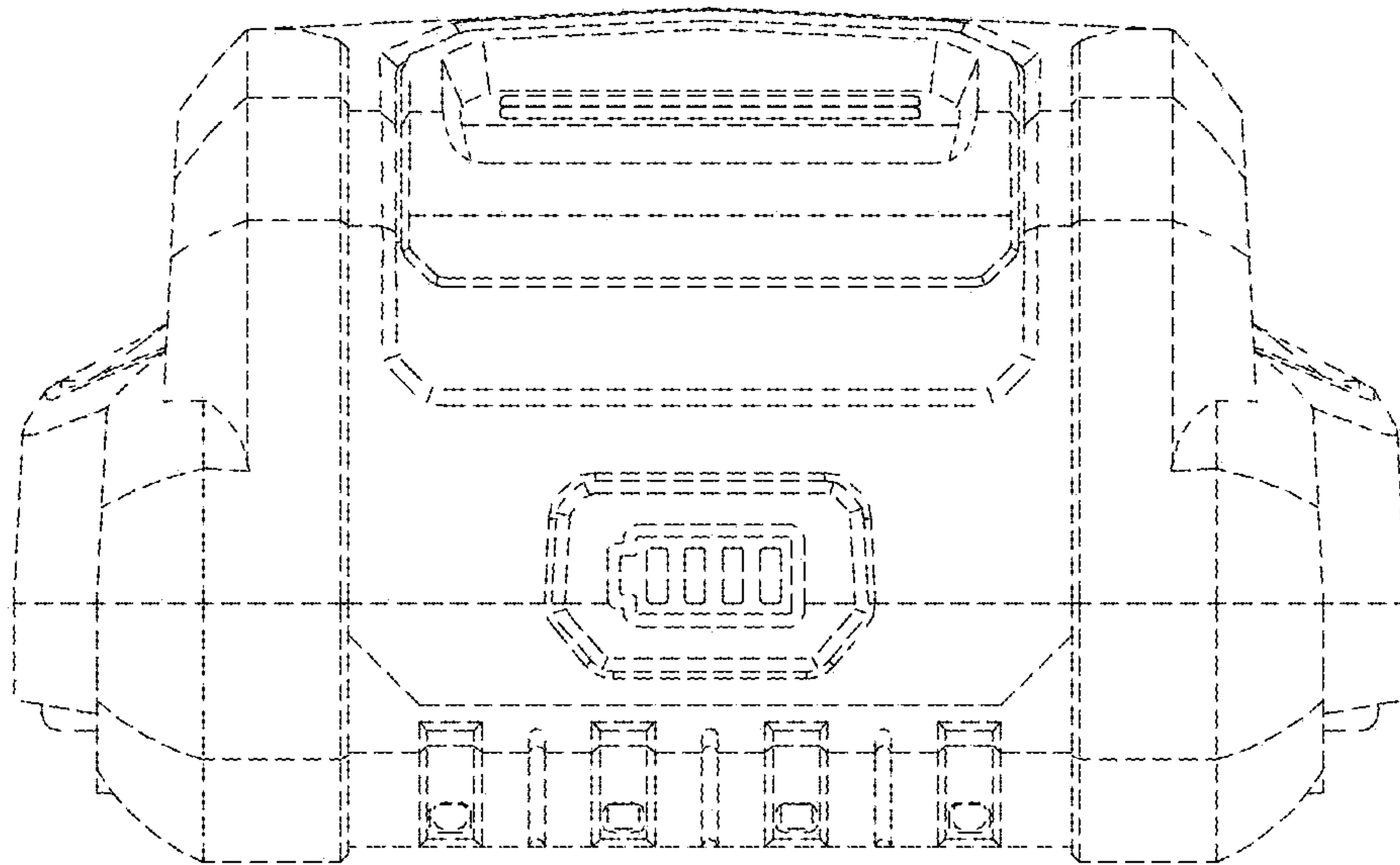


Fig. 4

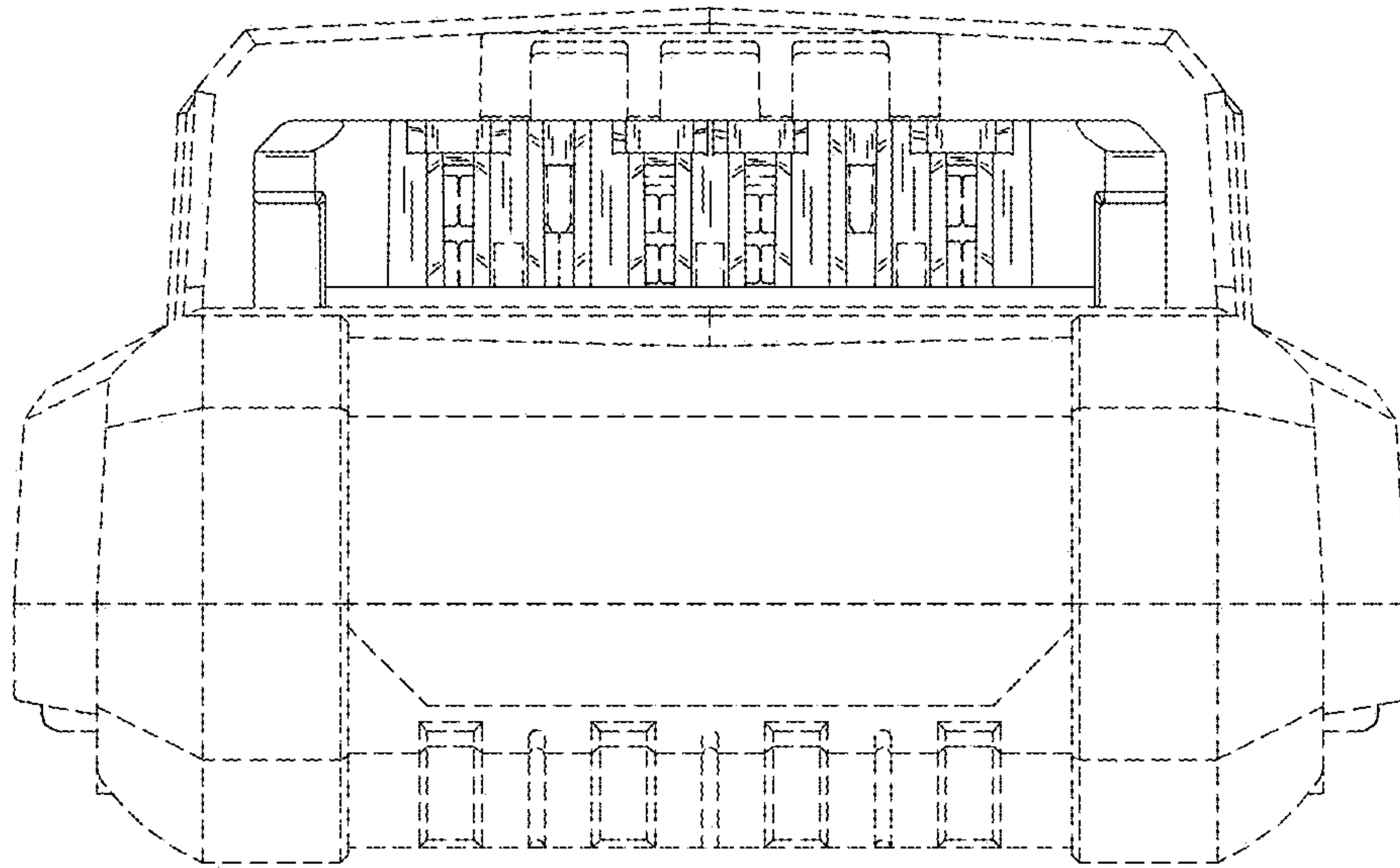


Fig. 5

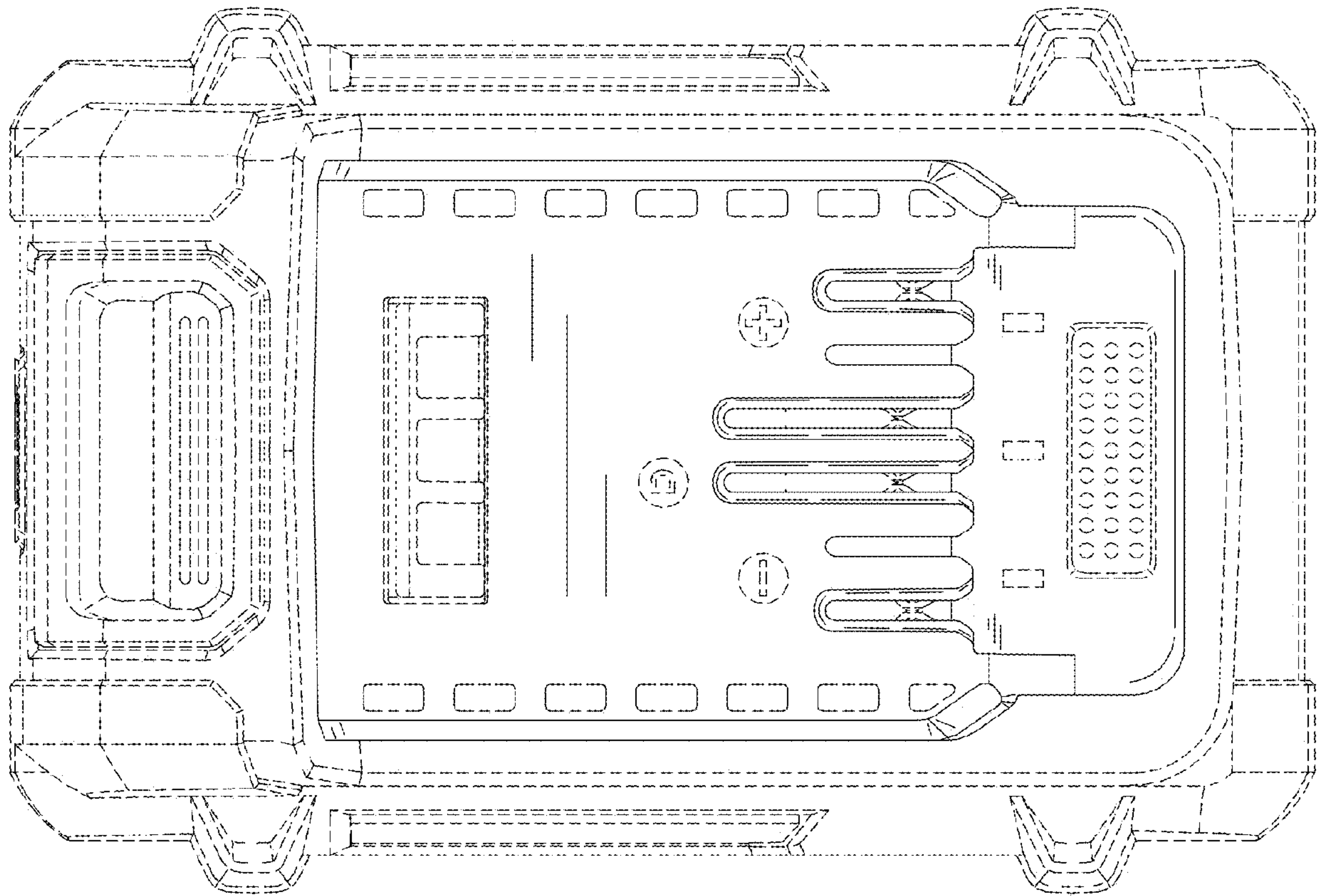


Fig. 6

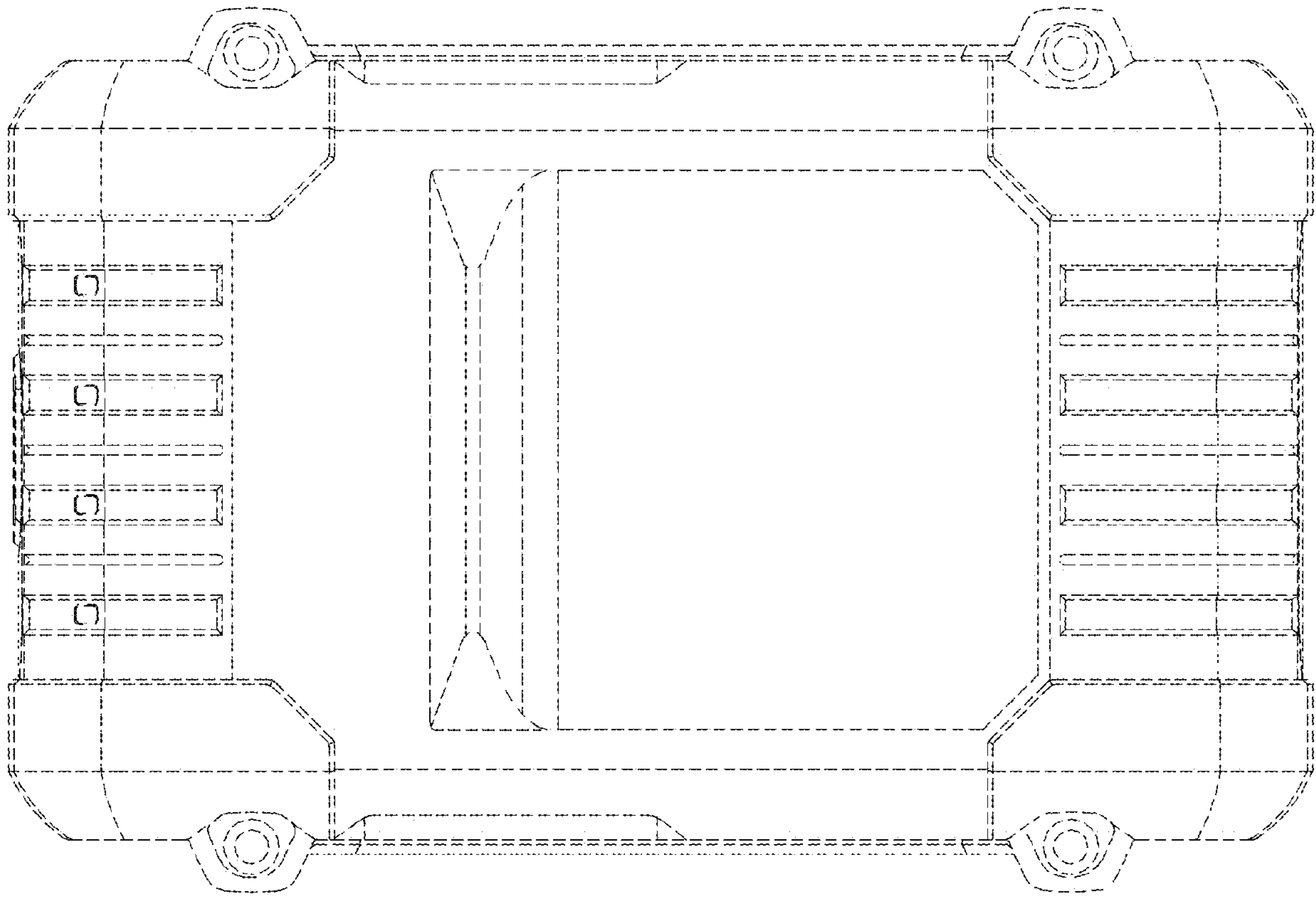


Fig. 7



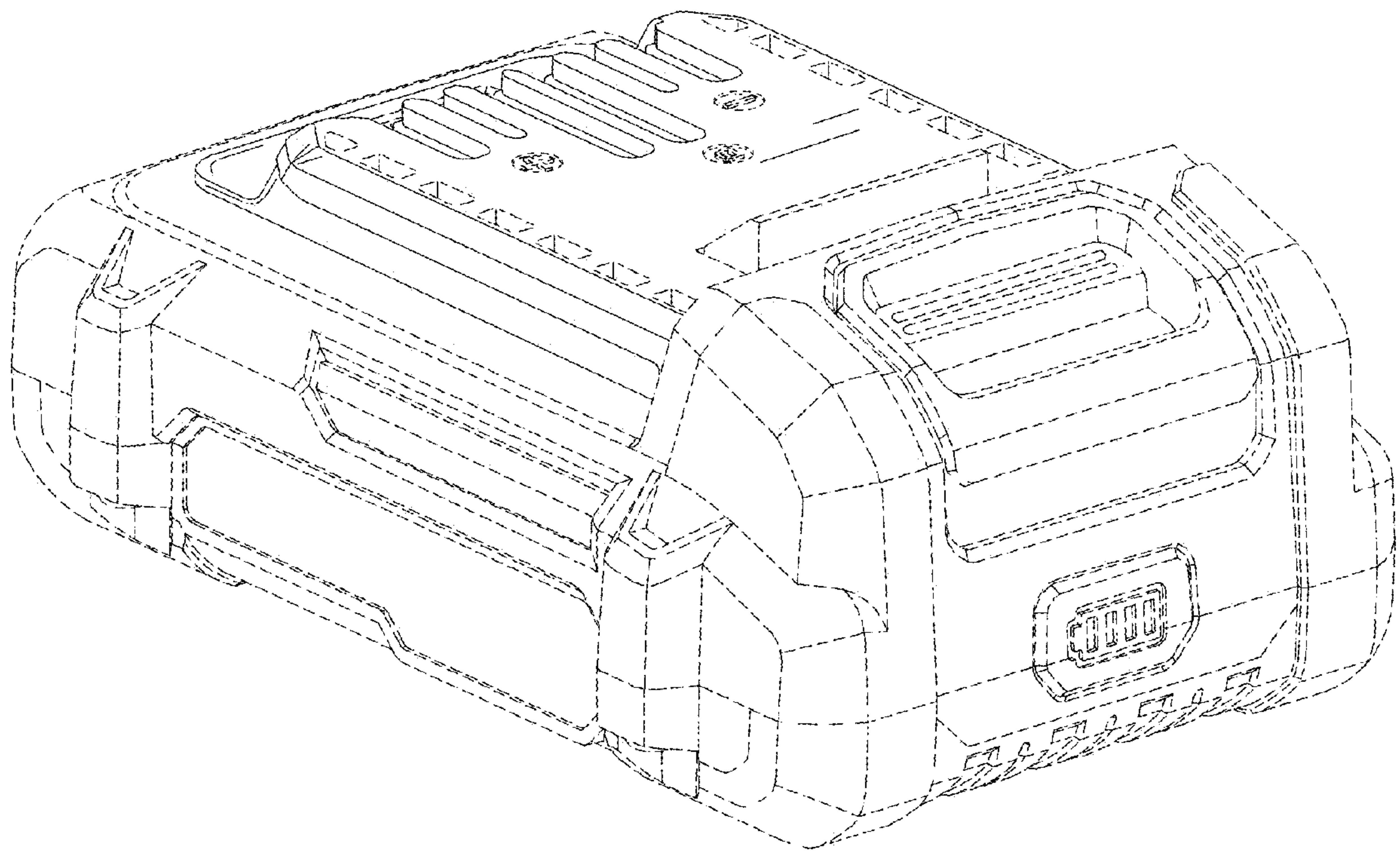


Fig. 8

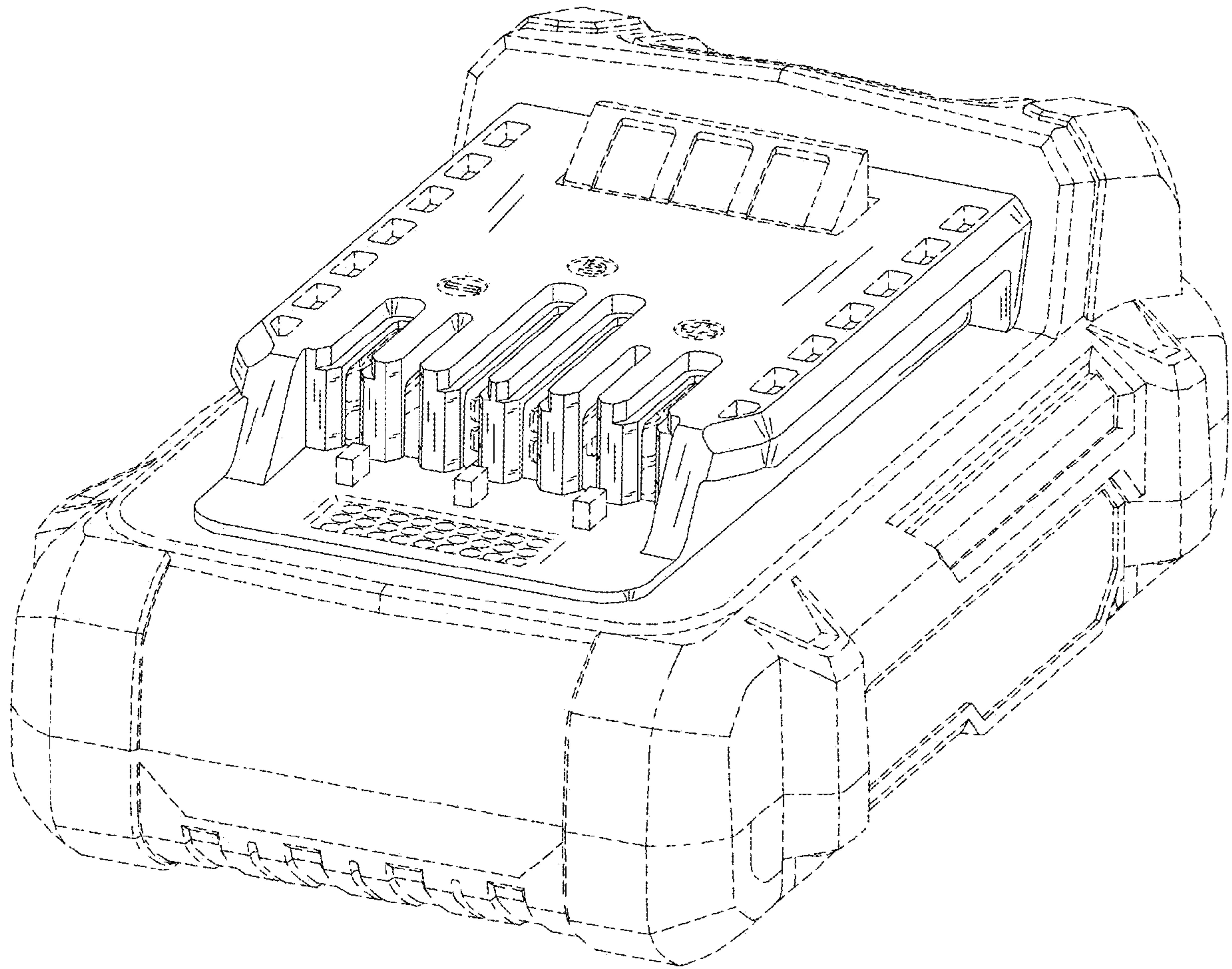


Fig. 9